



US00D366830S

United States Patent [19] Christianson

[11] Patent Number: **Des. 366,830**
[45] Date of Patent: ****Feb. 6, 1996**

[54] CONTAINER FOR WET WIPES
[75] Inventor: **Rodney C. Christianson**, Oshkosh, Wis.
[73] Assignee: **Kimberly-Clark Corporation**, Neenah, Wis.
[**] Term: **14 Years**
[21] Appl. No.: **28,540**
[22] Filed: **Sep. 19, 1994**
[52] U.S. Cl. **D9/423**
[58] Field of Search D9/420-423, 432, D9/337, 339, 424, 425; D6/542; 206/233, 494, 581, 823; 220/337, 334, 376, 339, 355, 356, 264, 4.22, 4.23; 229/125, 125.08

4,892,220 1/1990 Foos 220/337
4,901,884 2/1990 Kallenbach .
4,971,220 11/1990 Kaufman et al. 220/335
4,989,747 2/1991 Demurger .
5,031,768 7/1991 Fischer .
5,036,997 8/1991 May et al. 220/337 X
5,046,659 9/1991 Warburton .
5,050,737 9/1991 Joslyn et al. 206/494
5,096,084 3/1992 Wells .
5,131,551 7/1992 Wells .
5,156,267 10/1992 Yates, Jr. et al. .
5,234,107 8/1993 Morel et al. 206/462
5,261,531 11/1993 Nieves .
5,269,430 12/1993 Schlaupitz et al. .

[56] References Cited

U.S. PATENT DOCUMENTS

D. 237,258 10/1975 Mazzola .
D. 245,579 8/1977 Jewell .
D. 263,023 2/1982 Commisso .
D. 273,615 4/1984 Maskrey .
D. 275,653 9/1984 Crutchfield .
D. 278,412 4/1985 Yeung .
D. 332,917 2/1993 McDevitt et al. .
2,687,157 8/1954 Cowan .
3,351,270 11/1967 Hohnjec .
3,836,044 9/1974 Tilp et al. .
3,891,070 6/1975 Montanari .
3,902,598 9/1975 Koob et al. .
3,968,921 7/1976 Jewell 220/337 X
4,060,173 11/1977 Dahl .
4,077,515 3/1978 Shoberg .
4,143,805 3/1979 Sutton .
4,428,497 1/1984 Julius et al. .
4,553,665 11/1985 Weick et al. .
4,561,543 12/1985 Thompson .
4,611,716 9/1986 Sorlien 206/77.1 X
4,615,464 10/1986 Byrns .
4,641,750 2/1987 Johnson et al. .
4,653,685 3/1987 Leary et al. .
4,753,366 6/1988 Ritter .
4,759,838 7/1988 Mayes et al. .
4,771,934 9/1988 Kalmanides .
4,784,267 11/1988 Gessler et al. .
4,807,752 2/1989 Chodorow .

FOREIGN PATENT DOCUMENTS

0383677 8/1990 European Pat. Off. .
0442433 8/1991 European Pat. Off. .
2255800 7/1975 France .
2363989 12/1973 Germany .
3943301 7/1991 Germany .
4010428A1 10/1991 Germany .
404267755 9/1992 Japan .
1313269 4/1973 United Kingdom .
2061880 5/1981 United Kingdom .
WO84/02029 5/1984 WIPO .

OTHER PUBLICATIONS

Packaging Catalog, 1980, p. 96.
Rogers Plastic Corp., 1954.

Primary Examiner—Prabhakar G. Deshmukh
Attorney, Agent, or Firm—Kimberly-Clark Corp.

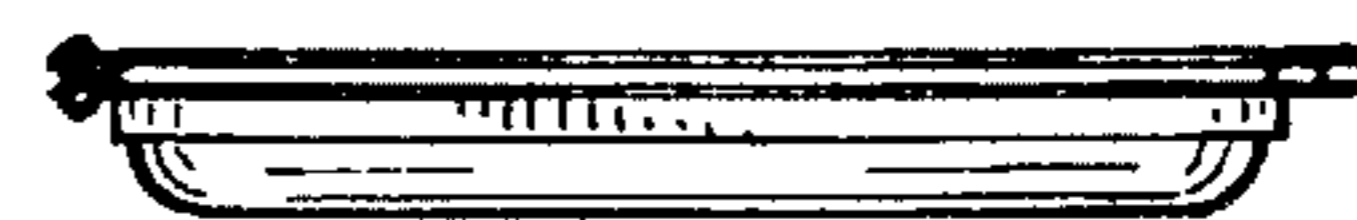
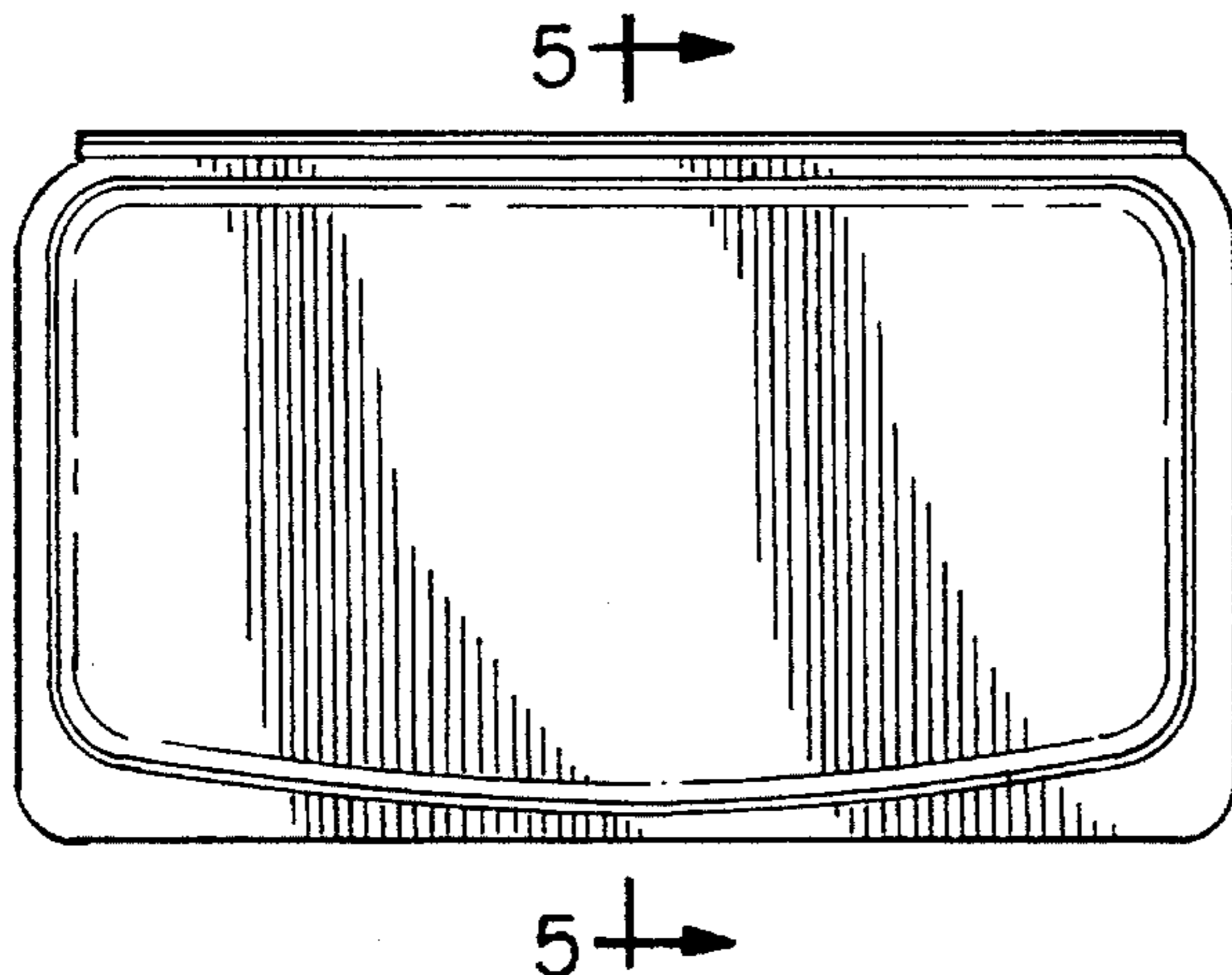
[57] CLAIM

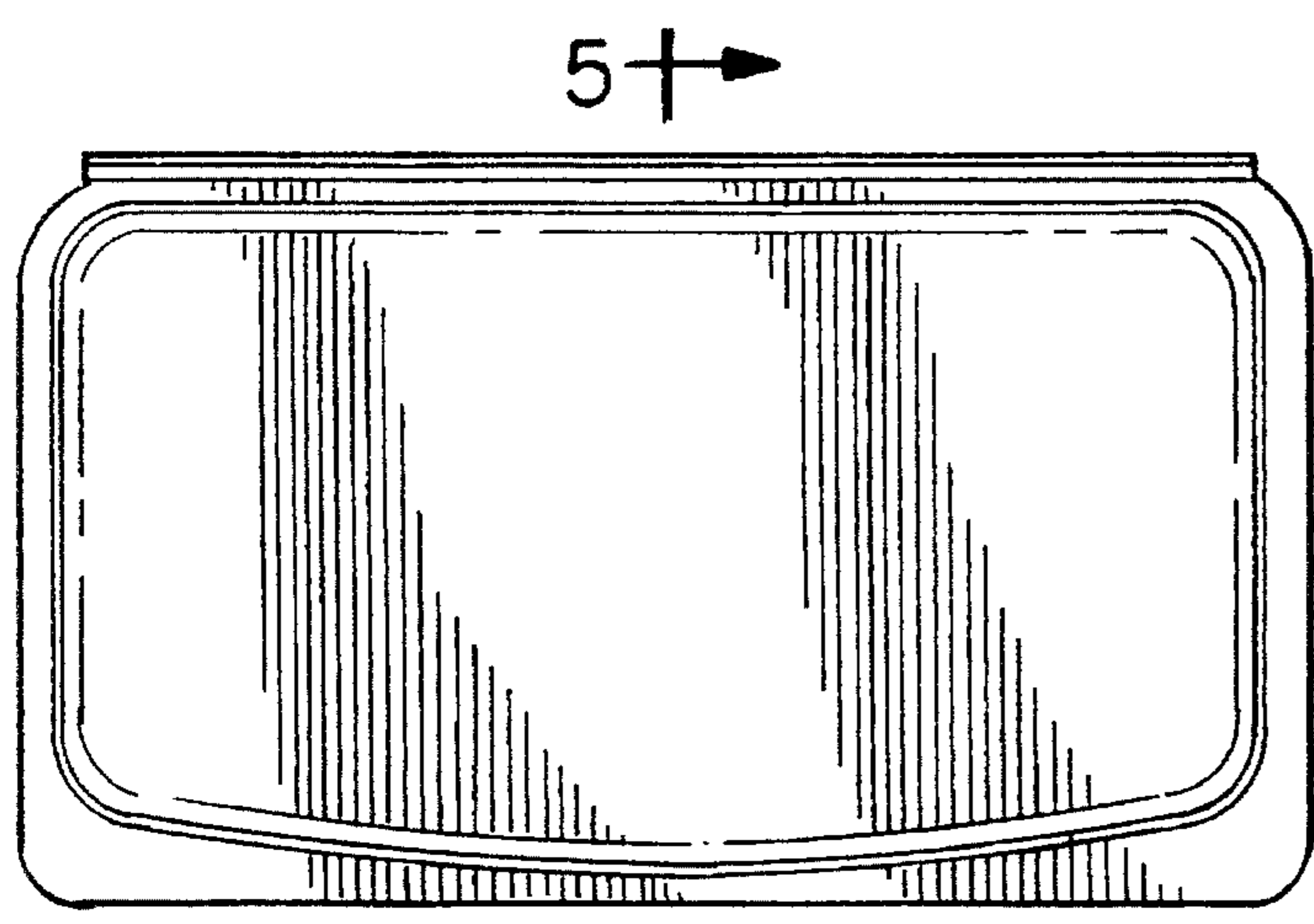
The ornamental design for a container for wet wipes, as shown and described.

DESCRIPTION

FIG. 1 is a top plan view of a container for wet wipes showing my new design;
FIG. 2 is a front elevational view thereof;
FIG. 3 is a left side elevational view thereof; the right side elevational view being a mirror image thereof;
FIG. 4 is a bottom plan view thereof; and,
FIG. 5 is a cross-sectional view taken along line 5—5 of FIG. 1.

1 Claim, 1 Drawing Sheet





5 → FIG. 1

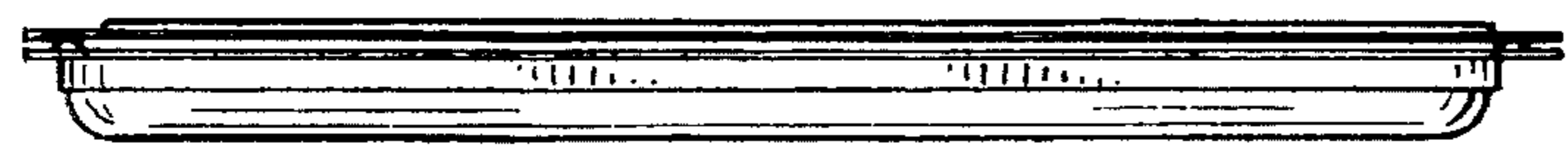


FIG. 2

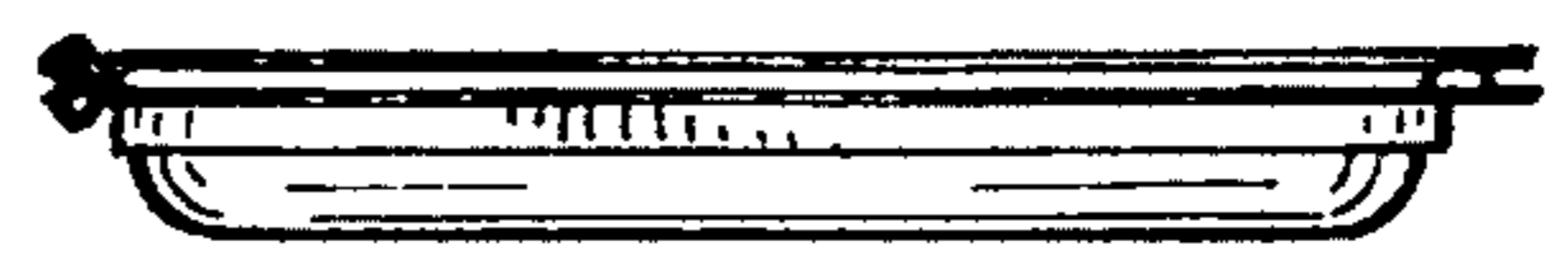


FIG. 3

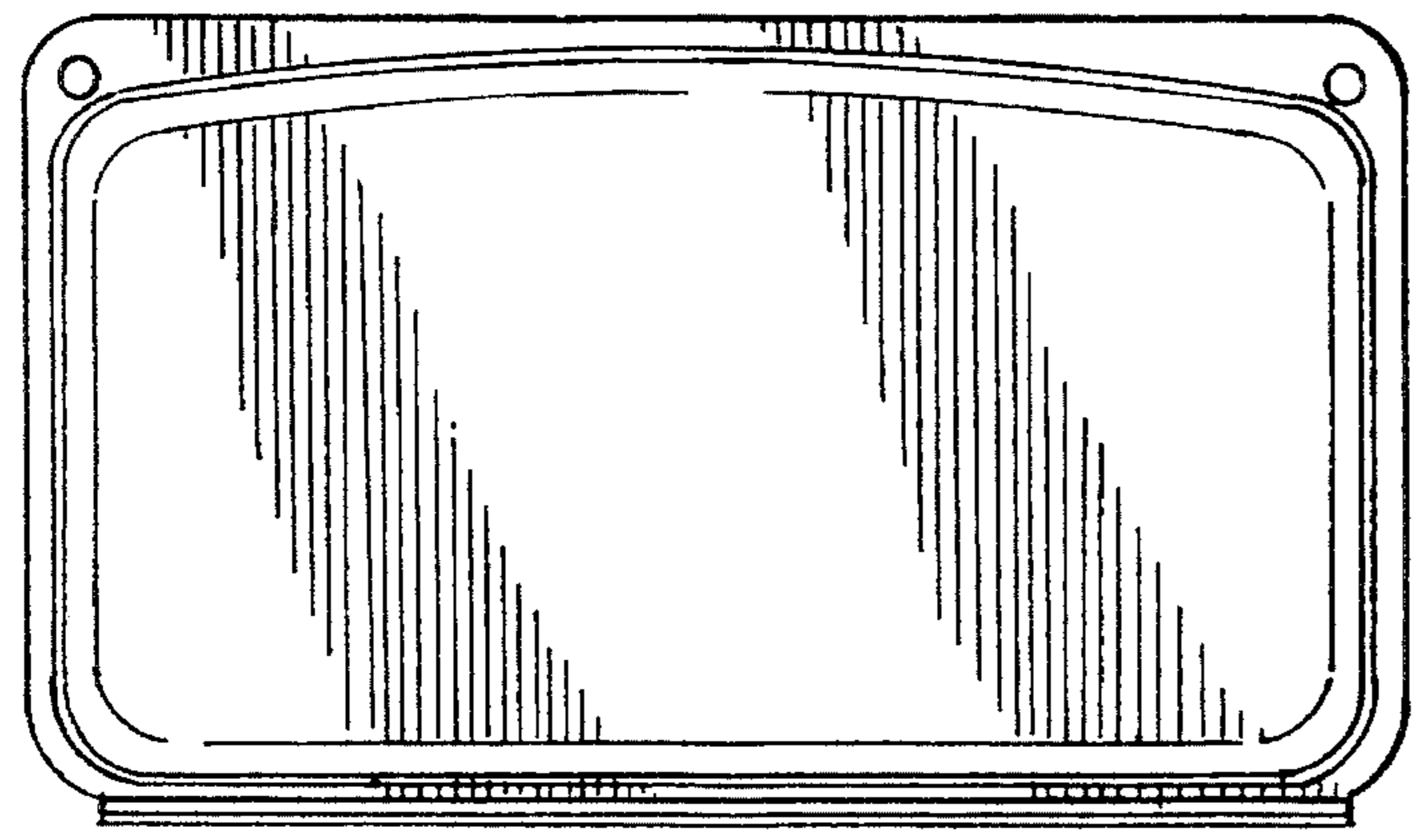


FIG. 4

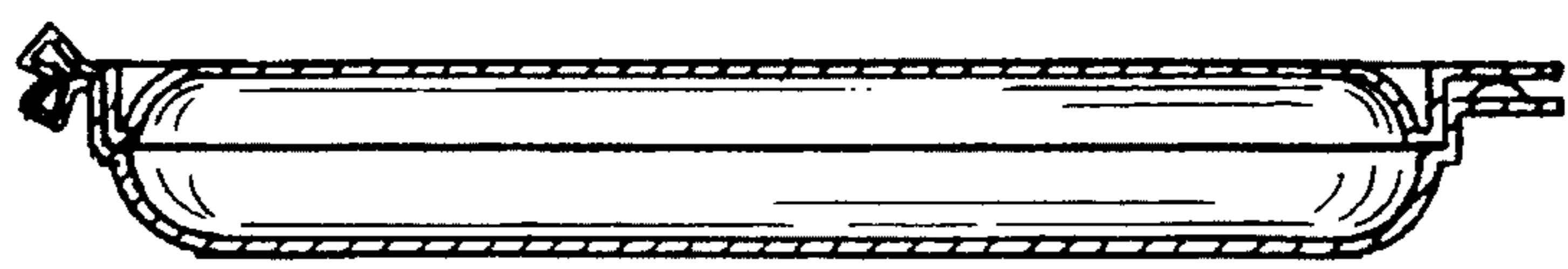


FIG. 5