



US00D366823S

United States Patent [19]
Heald

[11] **Patent Number: Des. 366,823**

[45] **Date of Patent: **Feb. 6, 1996**

[54] **PROTECTIVE COVER FOR A PADLOCK**

4,882,918 11/1989 Stanich 70/54

[76] Inventor: **Charles J. Heald**, 137 River Village Cir., Dayton, Nev. 89403

Primary Examiner—Brian N. Vinson
Attorney, Agent, or Firm—John J. Posta, Jr.

[**] Term: **14 Years**

[57] **CLAIM**

[21] Appl. No.: **34,624**

The ornamental design for a protective cover for a padlock, as shown and described.

[22] Filed: **Feb. 9, 1995**

DESCRIPTION

[52] U.S. Cl. **D8/346**

[58] **Field of Search** D8/343, 346, 334-335;
70/14, 20, 23, 51-52, 54-56, 443, 448

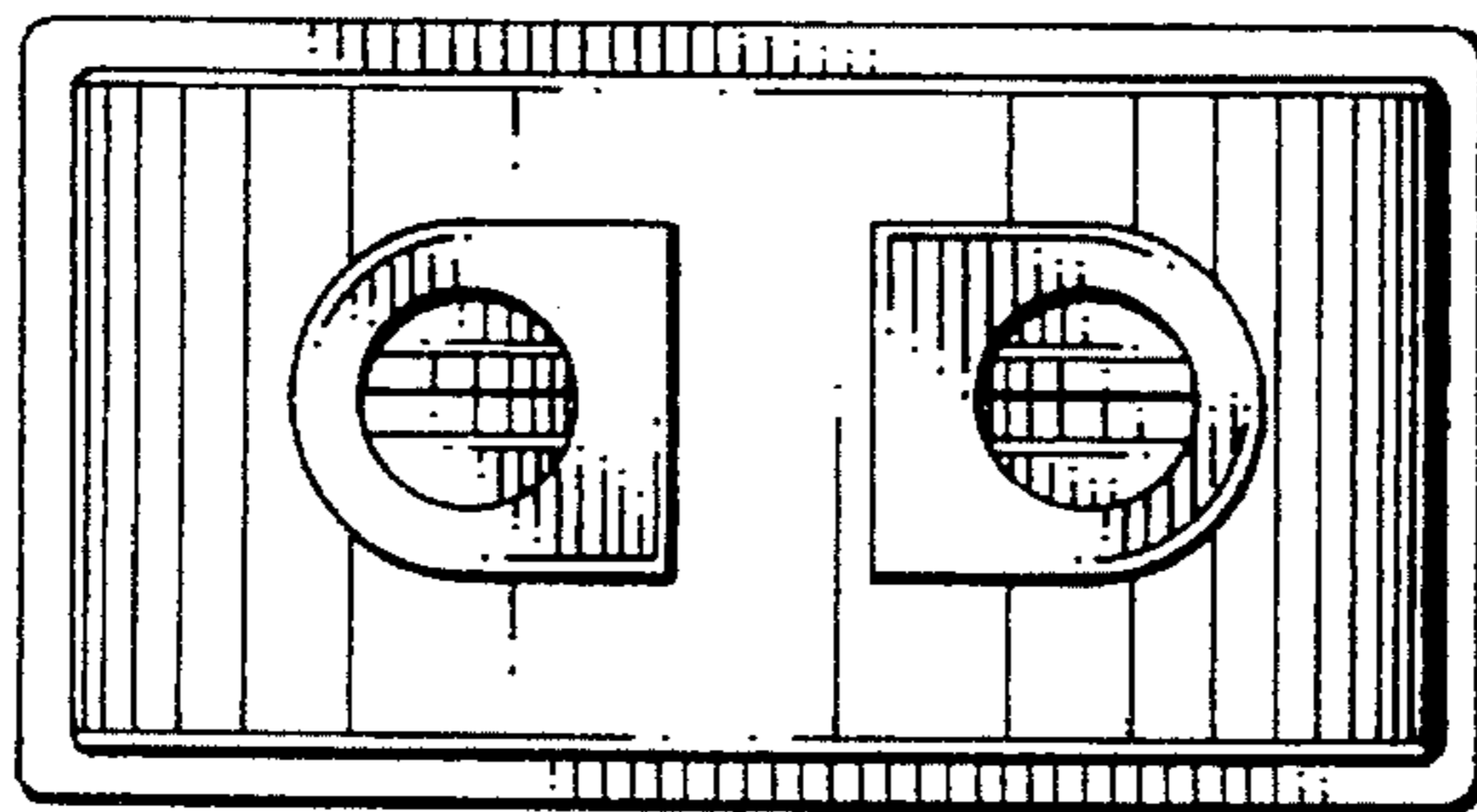
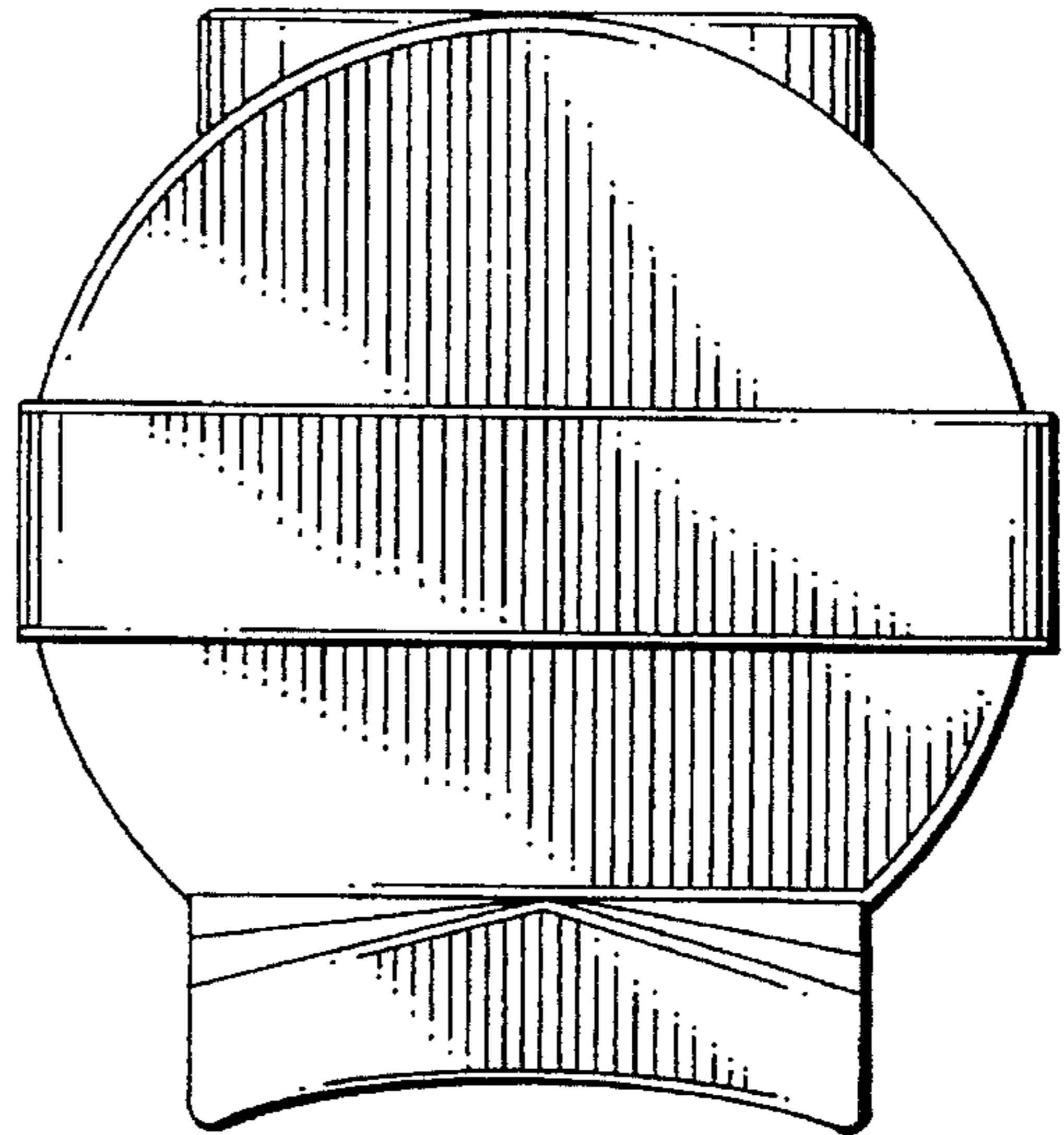
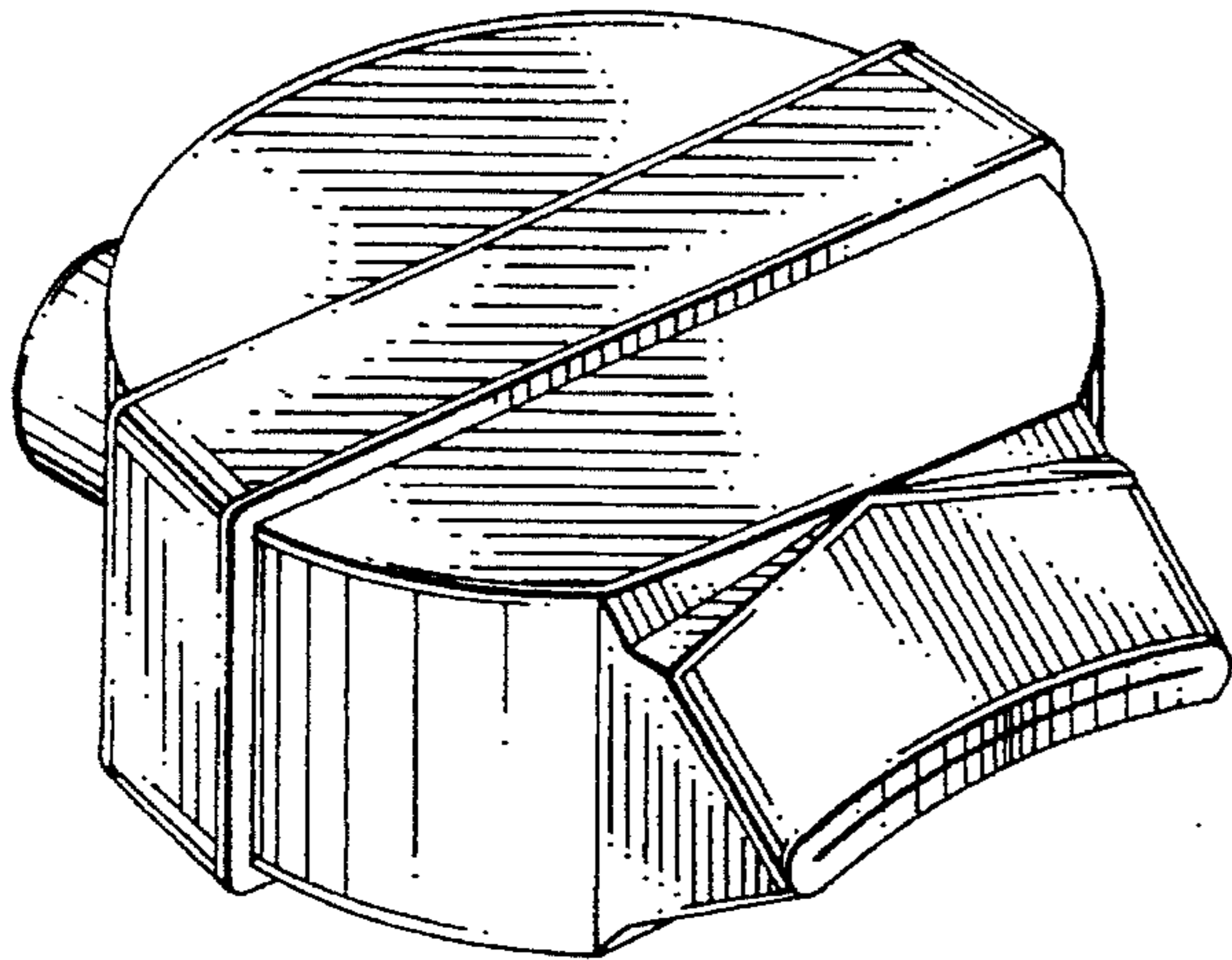
FIG. 1 is a bottom, front, and left side perspective view of a protective cover for a padlock showing my new design; FIG. 2 is a front elevational view thereof, the rear being identical in appearance; FIG. 3 is a side elevational view thereof, the opposite side being identical in appearance; FIG. 4 is a top plan view thereof; and, FIG. 5 is a bottom plan view thereof.

[56] **References Cited**

U.S. PATENT DOCUMENTS

D. 318,008	7/1991	Appelbaum	D8/346
D. 325,158	4/1992	Lebrecht	D8/346
D. 326,046	5/1992	Heald	D8/346
D. 326,600	6/1992	Heald	D8/346
4,297,861	11/1981	Dyles	70/55

1 Claim, 1 Drawing Sheet



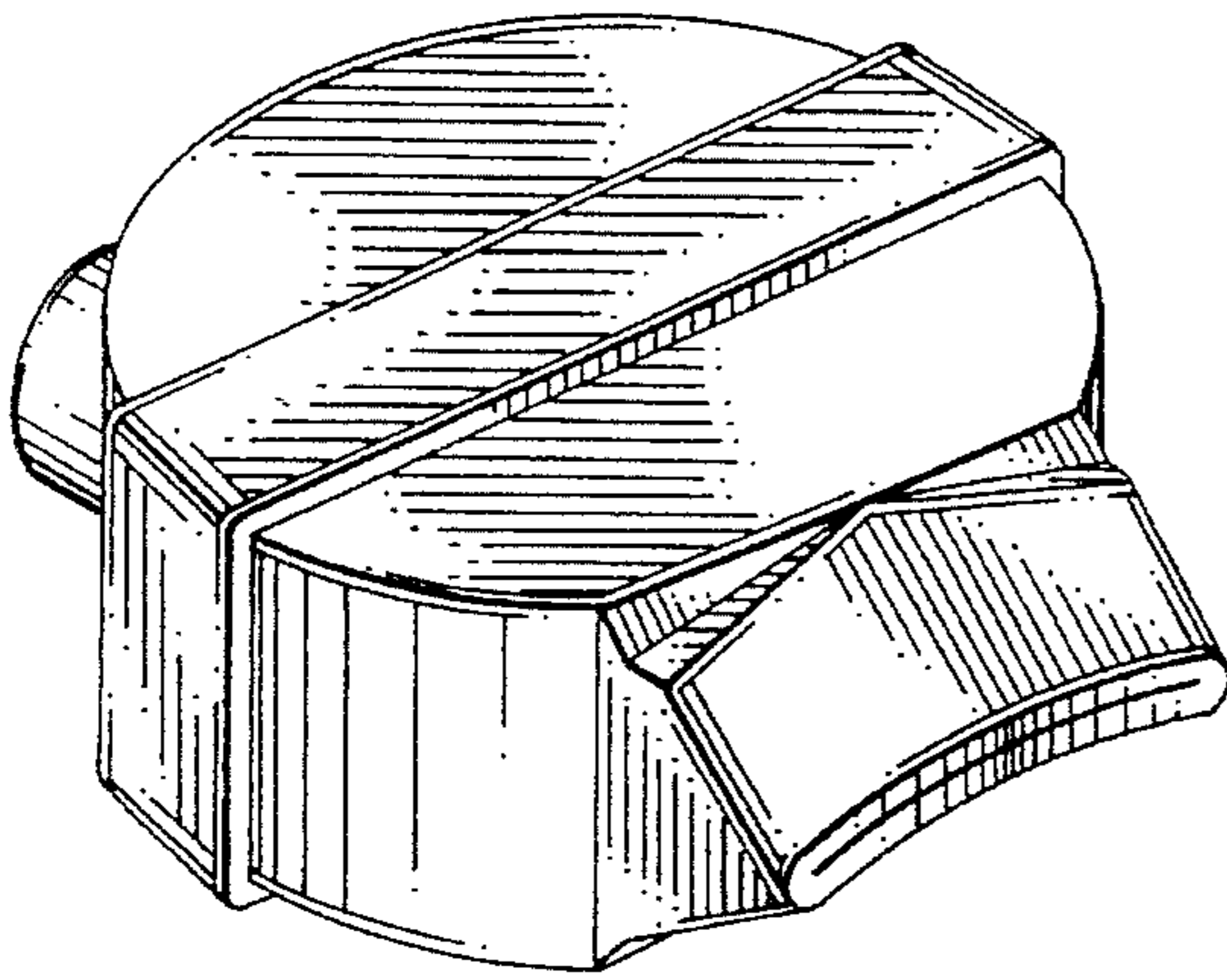


FIG. 1

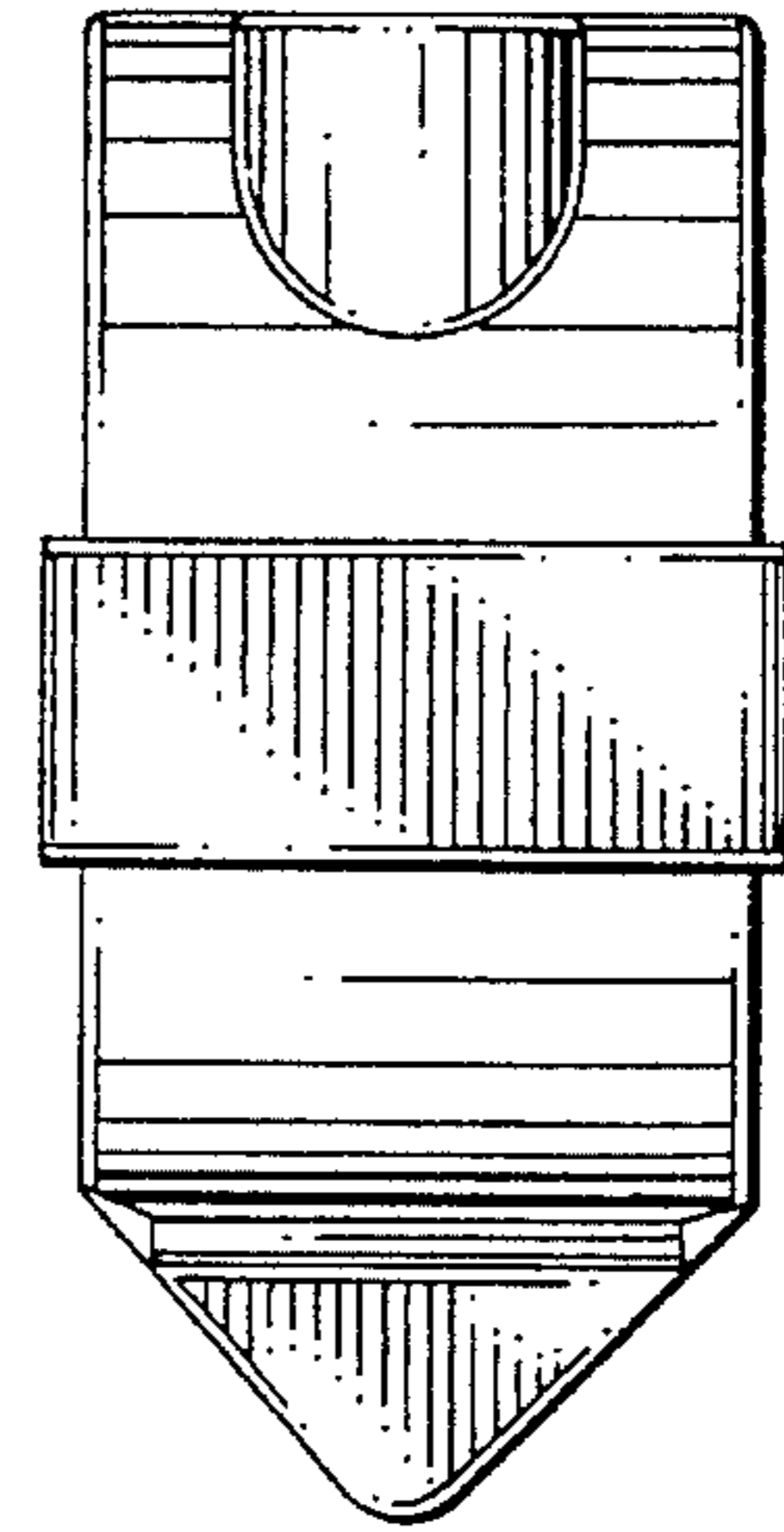


FIG. 3

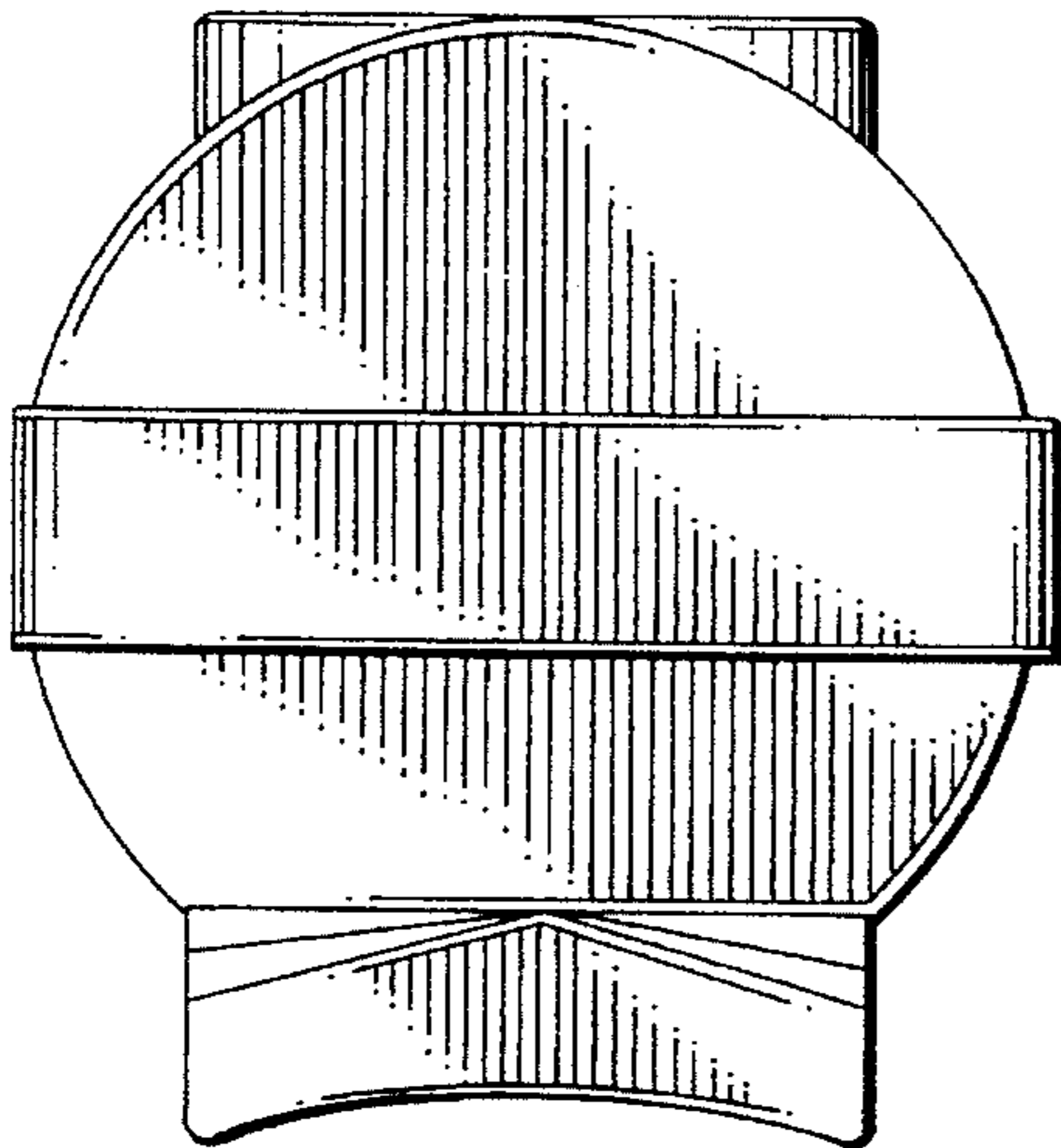


FIG. 2

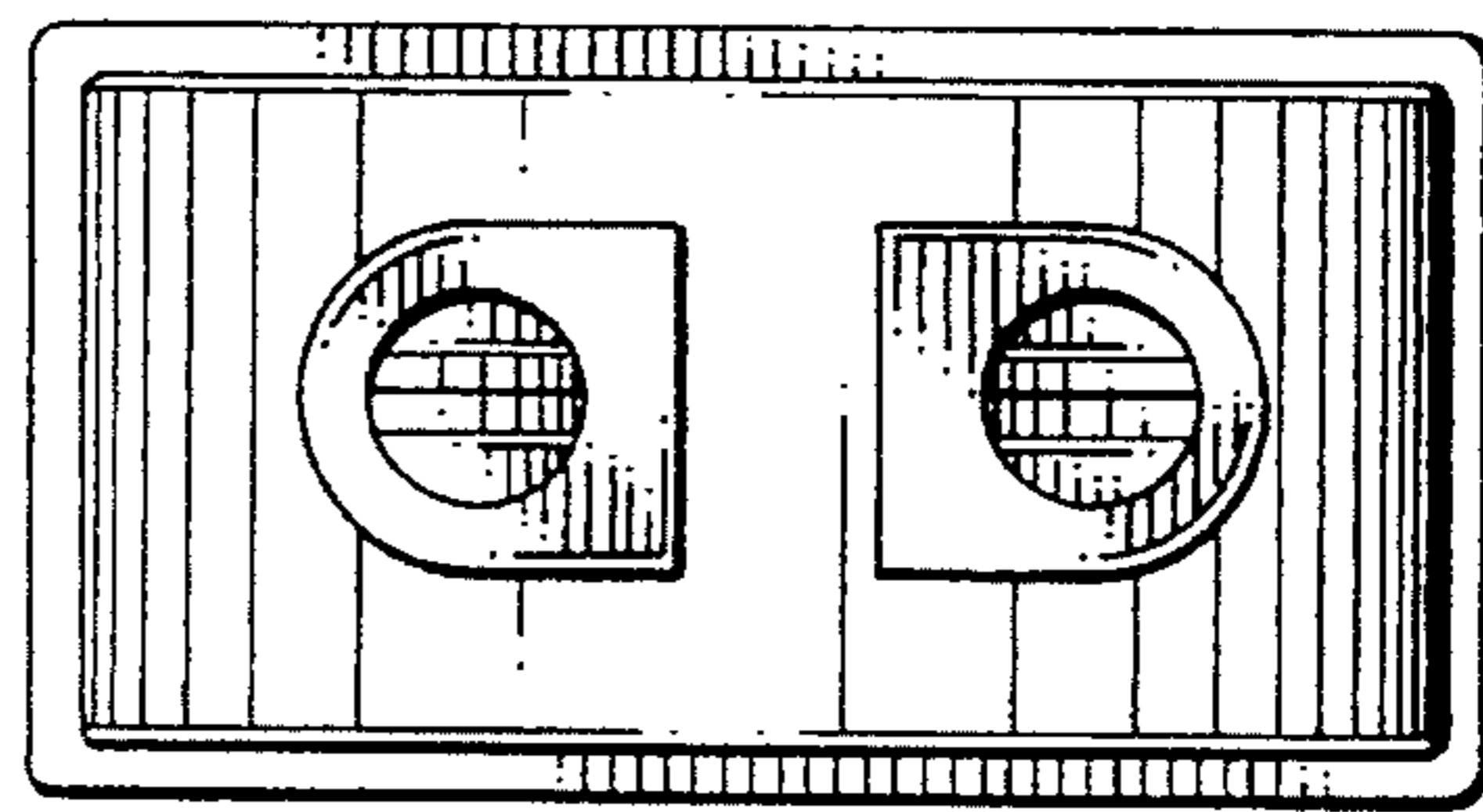


FIG. 4

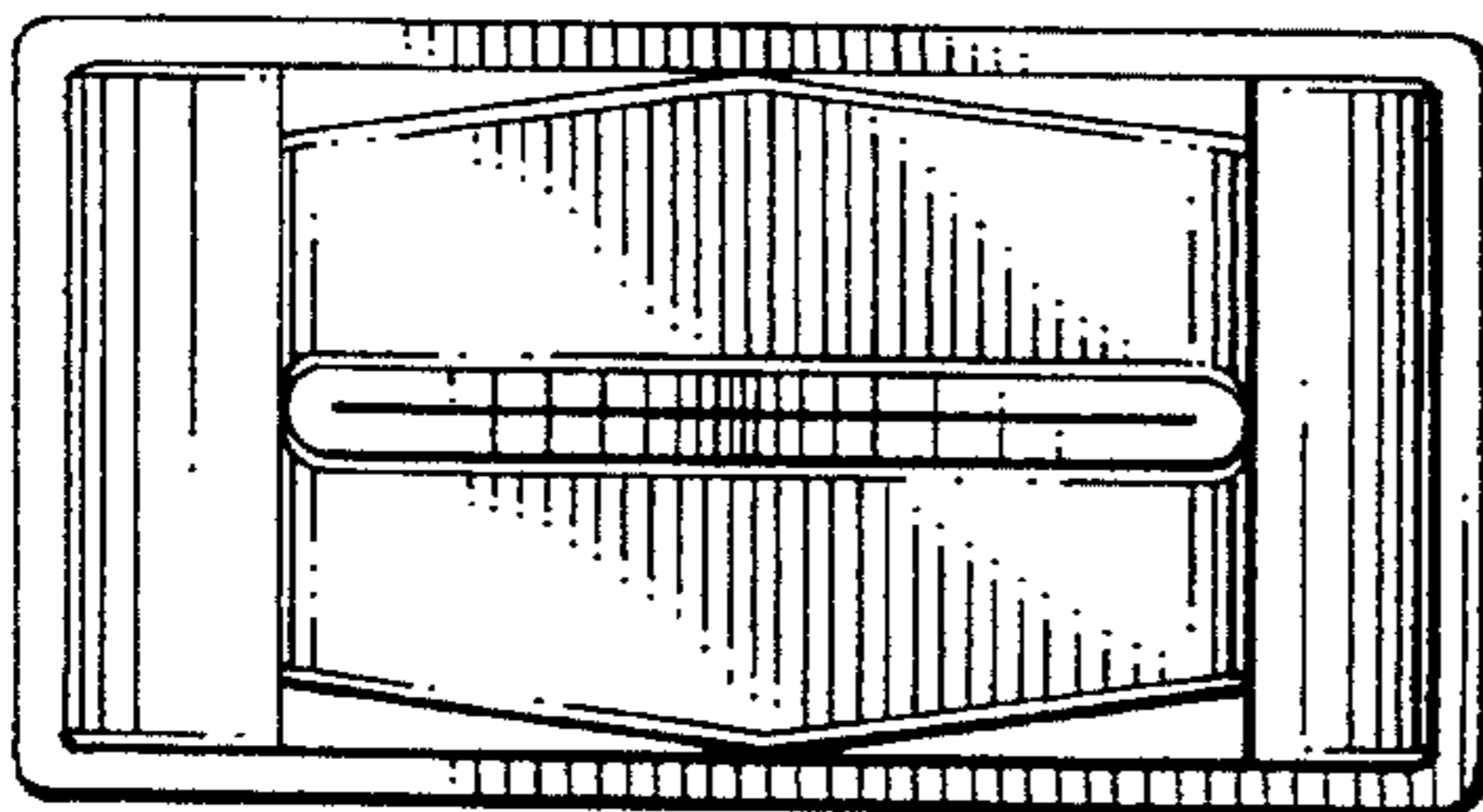


FIG. 5