



US00D366816S

United States Patent [19]
Laib

[11] **Patent Number:** **Des. 366,816**

[45] **Date of Patent:** ****Feb. 6, 1996**

[54] **HAND PRESS FOR GARLIC**

[75] Inventor: **Douglas M. Laib**, Kissimmee, Fla.

[73] Assignee: **Dart Industries Inc.**, Deerfield, Ill.

[**] Term: **14 Years**

[21] Appl. No.: **28,473**

[22] Filed: **Sep. 15, 1994**

[52] U.S. Cl. **D7/666**

[58] Field of Search **D7/665, 666; 99/495, 99/506, 508; 100/112, 125, 234, 243; 241/199.11**

[56] **References Cited**

U.S. PATENT DOCUMENTS

- D. 279,754 7/1985 Hansen .
- 4,466,346 8/1984 Gemel .
- 4,531,457 7/1985 Sivaslian .
- 4,545,299 10/1985 Ahner .
- 4,582,265 4/1986 Petronelli .
- 5,101,720 4/1992 Bianchi .

Primary Examiner—Terry A. Wallace

Attorney, Agent, or Firm—John A. Doninger

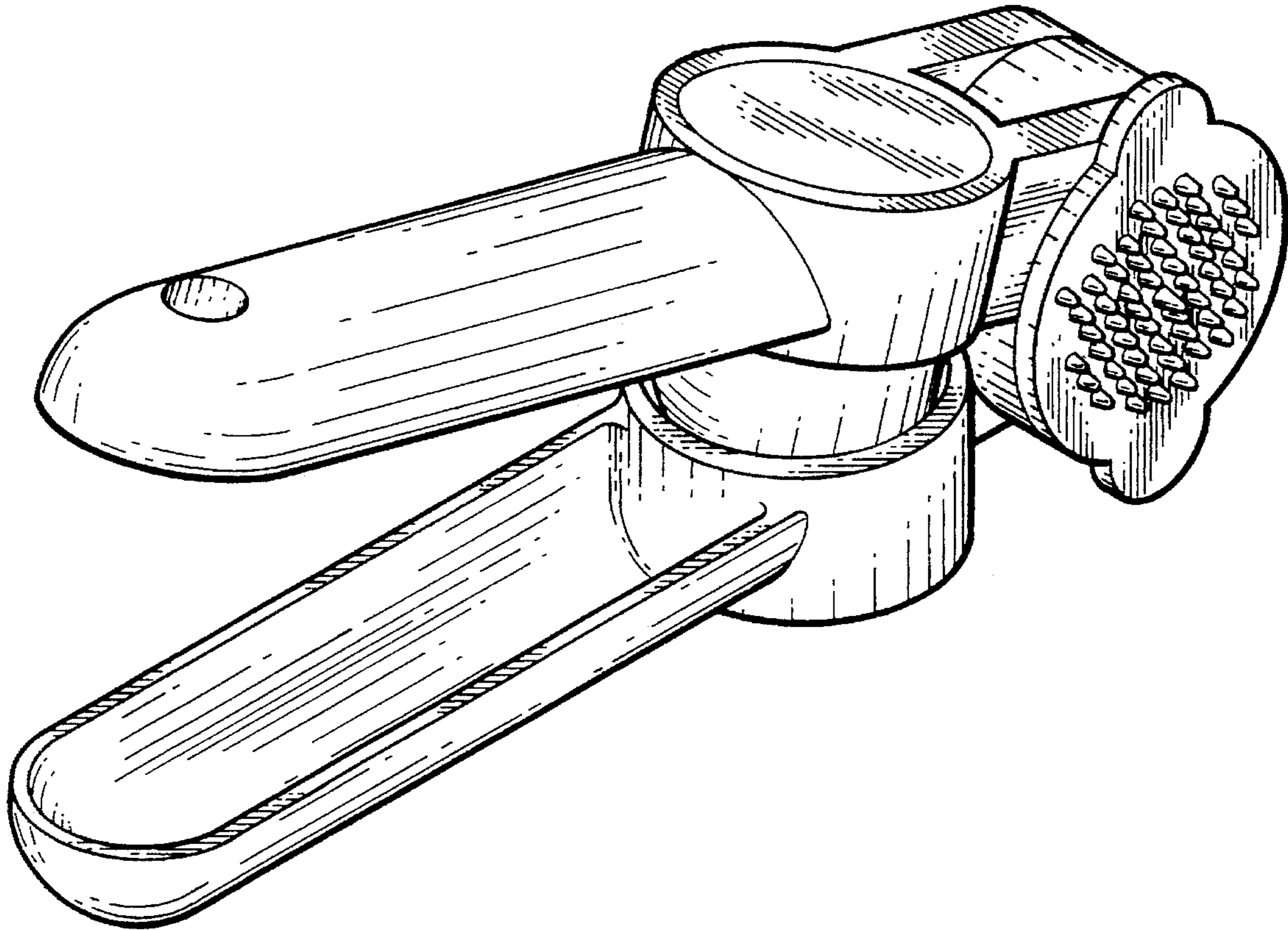
[57] **CLAIM**

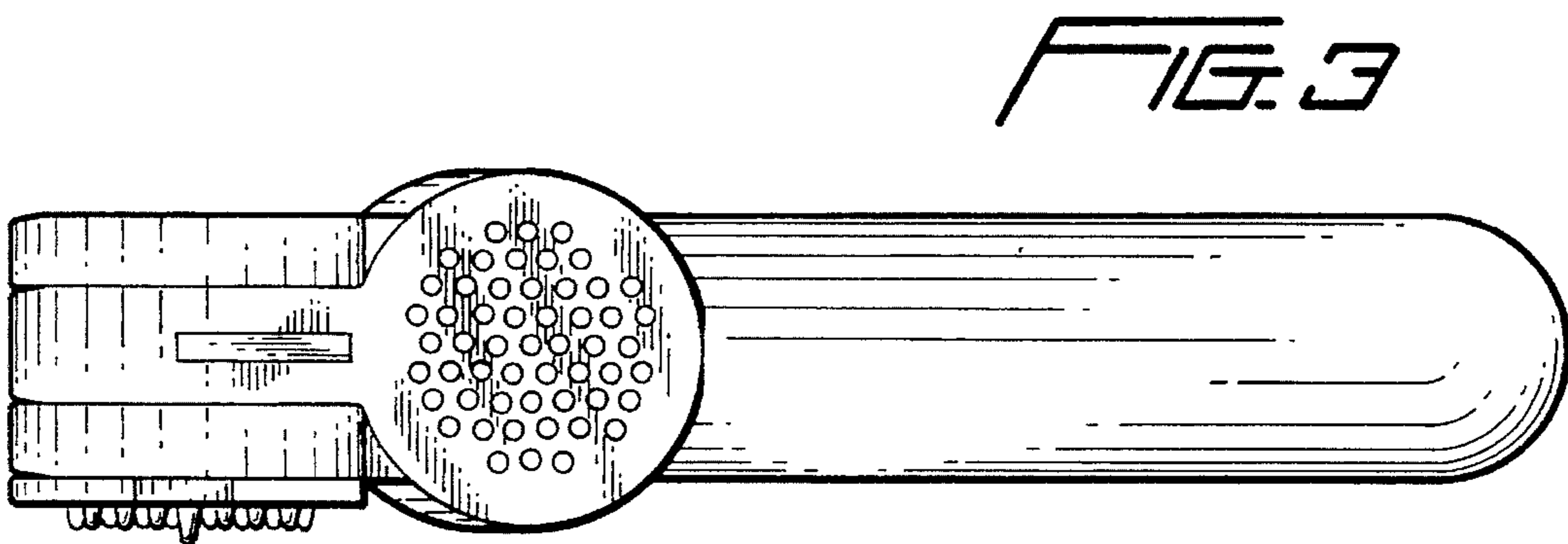
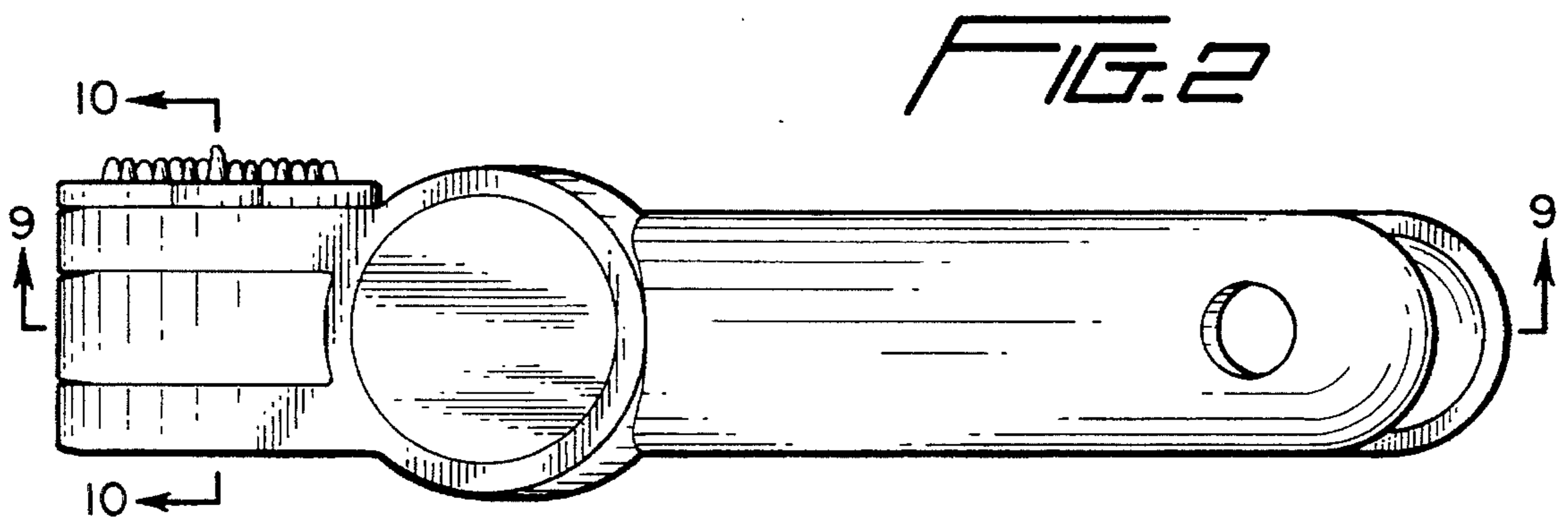
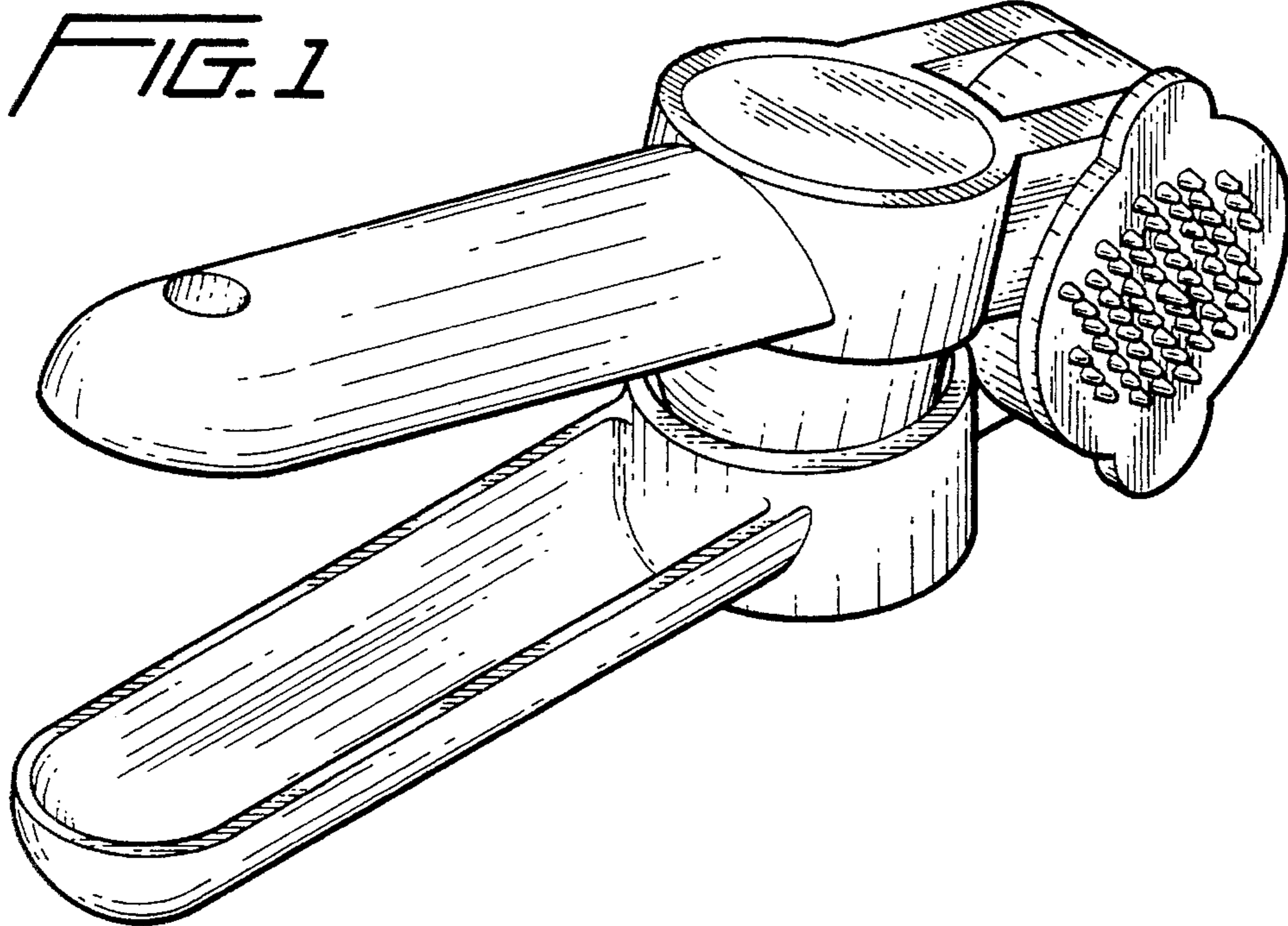
The ornamental design for a hand press for garlic, as shown and described.

DESCRIPTION

FIG. 1 is top, rear and side perspective view of a hand press for garlic showing my new design;
 FIG. 2 is a top plan view thereof;
 FIG. 3 is a bottom plan view thereof;
 FIG. 4 is a left side view thereof;
 FIG. 5 is a right side view thereof;
 FIG. 6 is a front elevation view thereof;
 FIG. 7 is a rear elevation view thereof;
 FIG. 8 is a top and side perspective view thereof in a closed position;
 FIG. 9 is a longitudinal section view thereof on line 9—9 in FIG. 2; and,
 FIG. 10 is a transverse section view thereof on line 10—10 in FIG. 2.

1 Claim, 4 Drawing Sheets





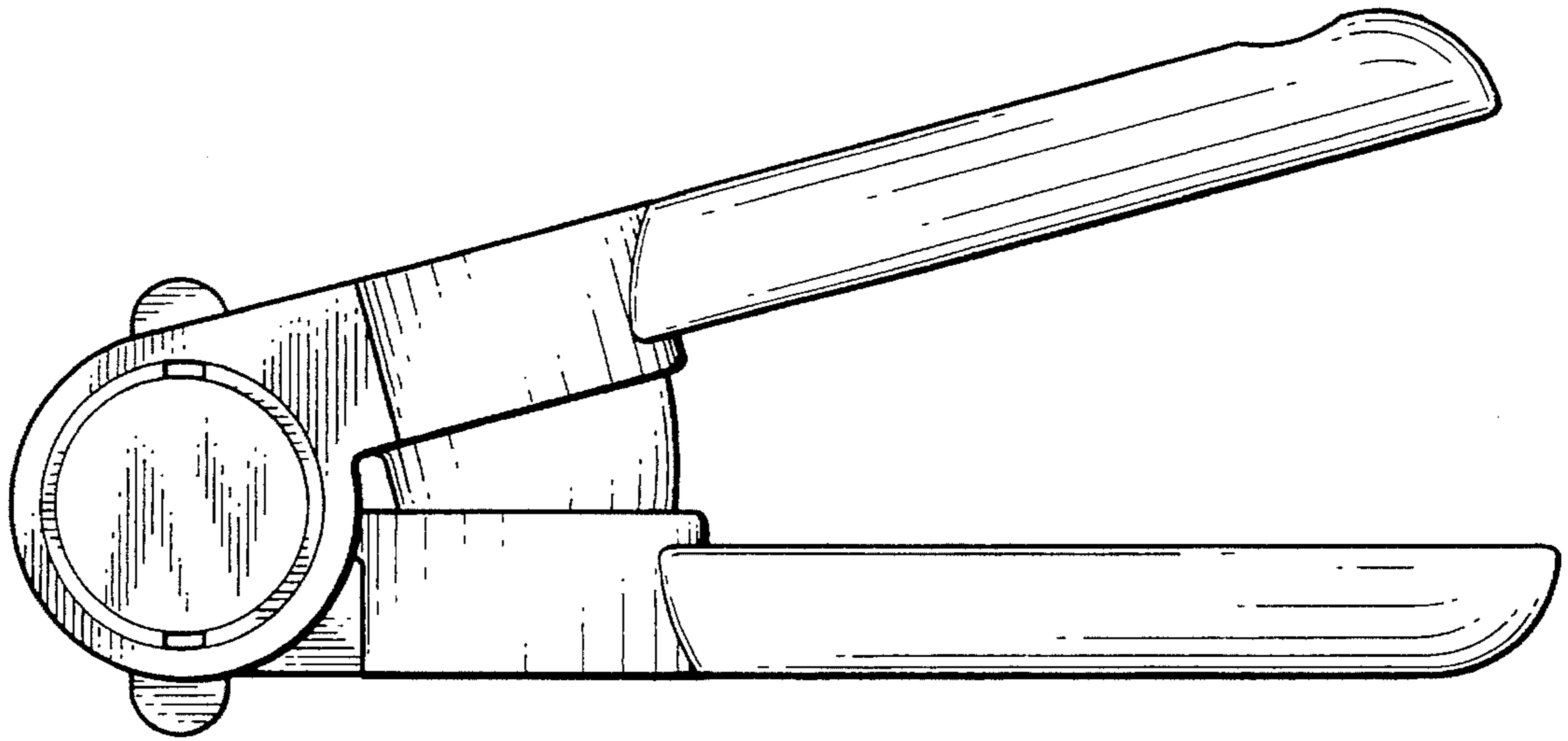


FIG. 4

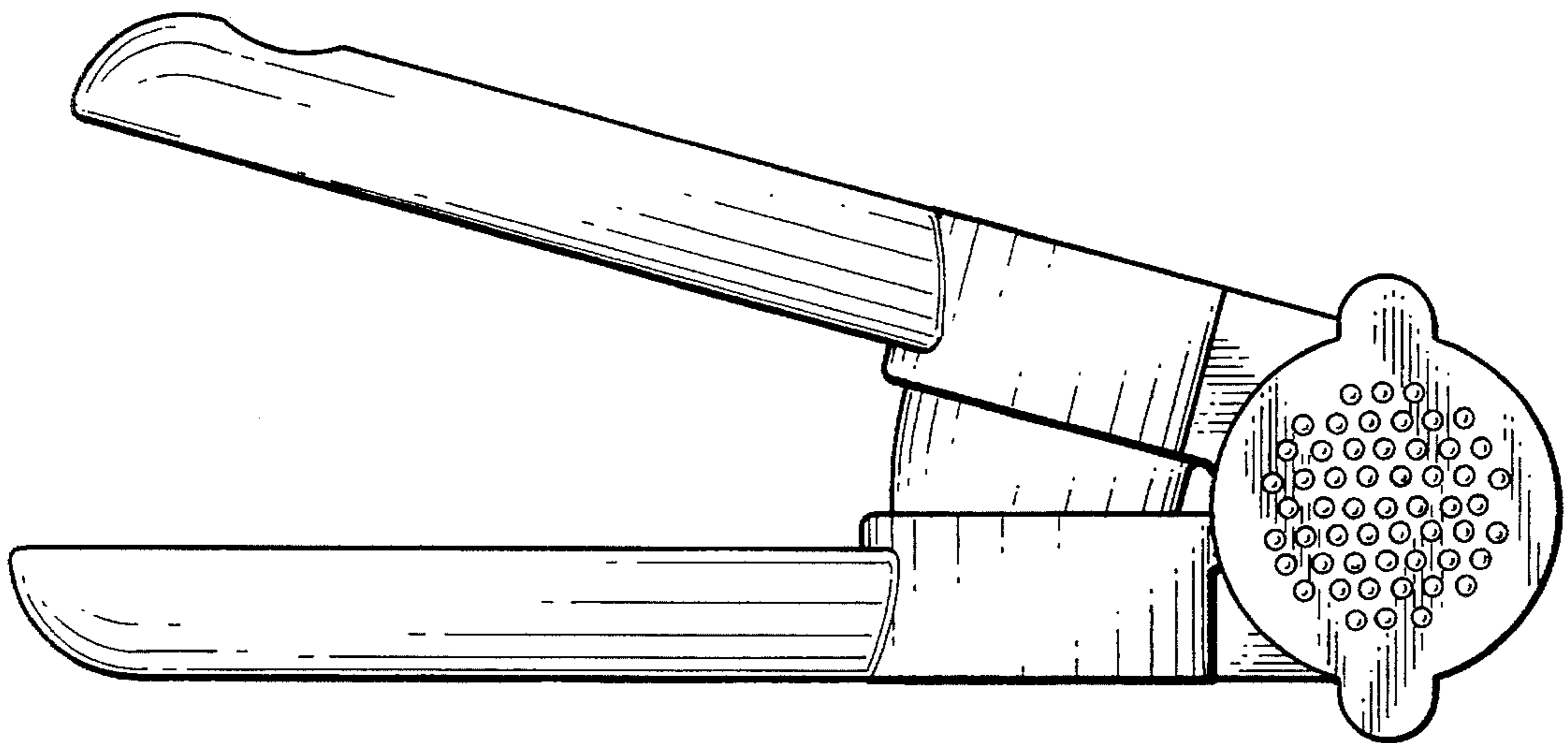


FIG. 5

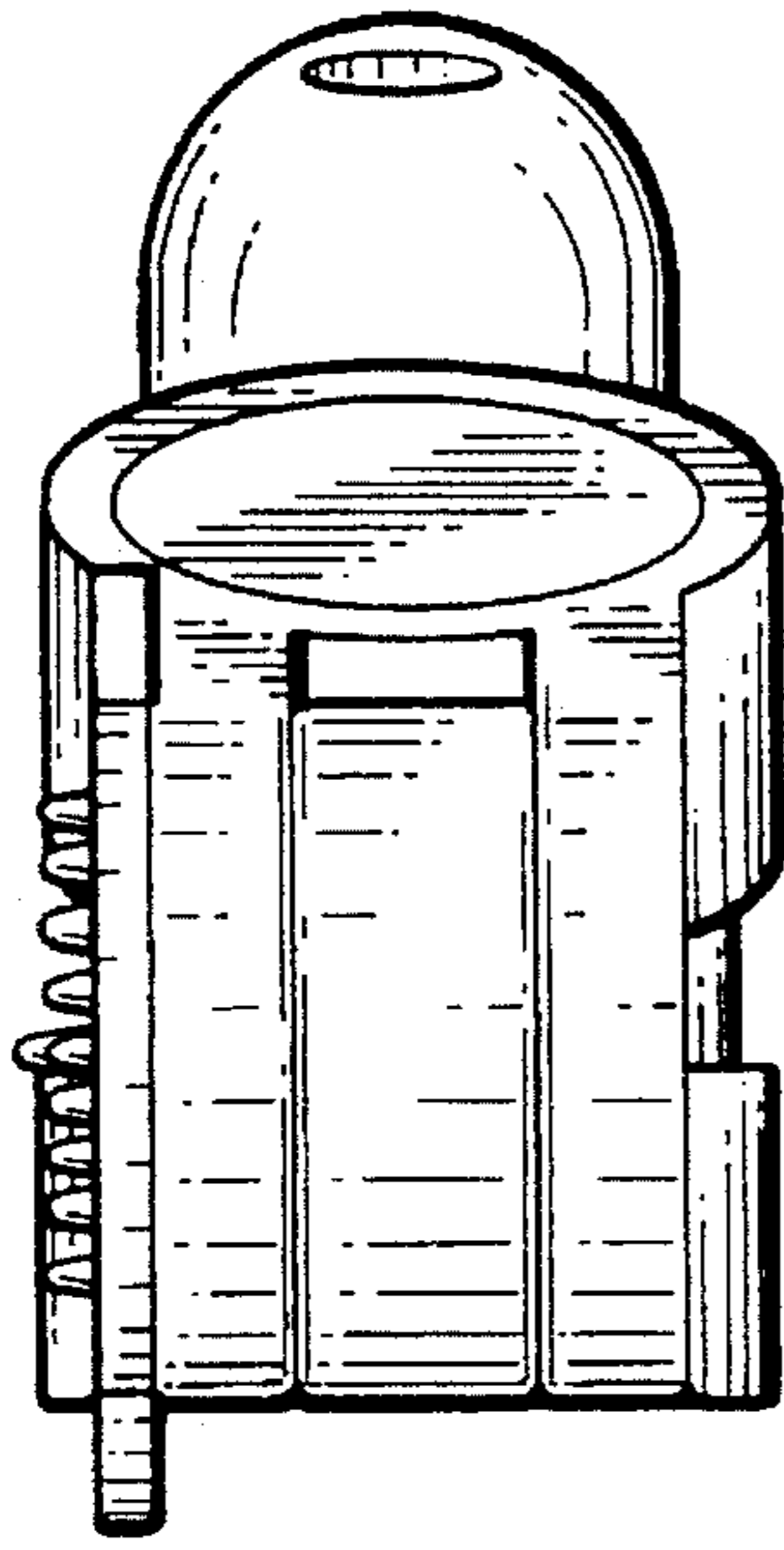


FIG. 6

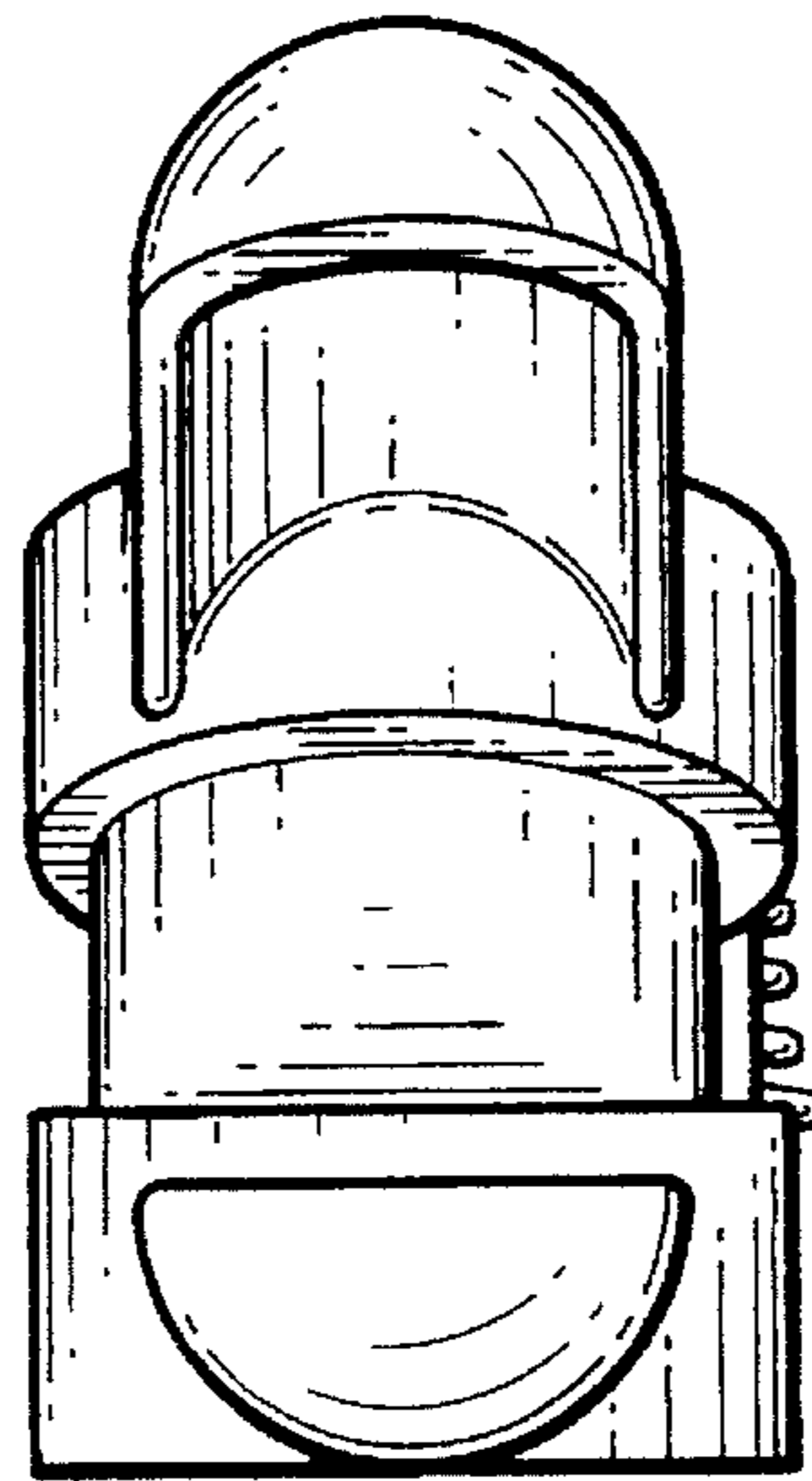


FIG. 7

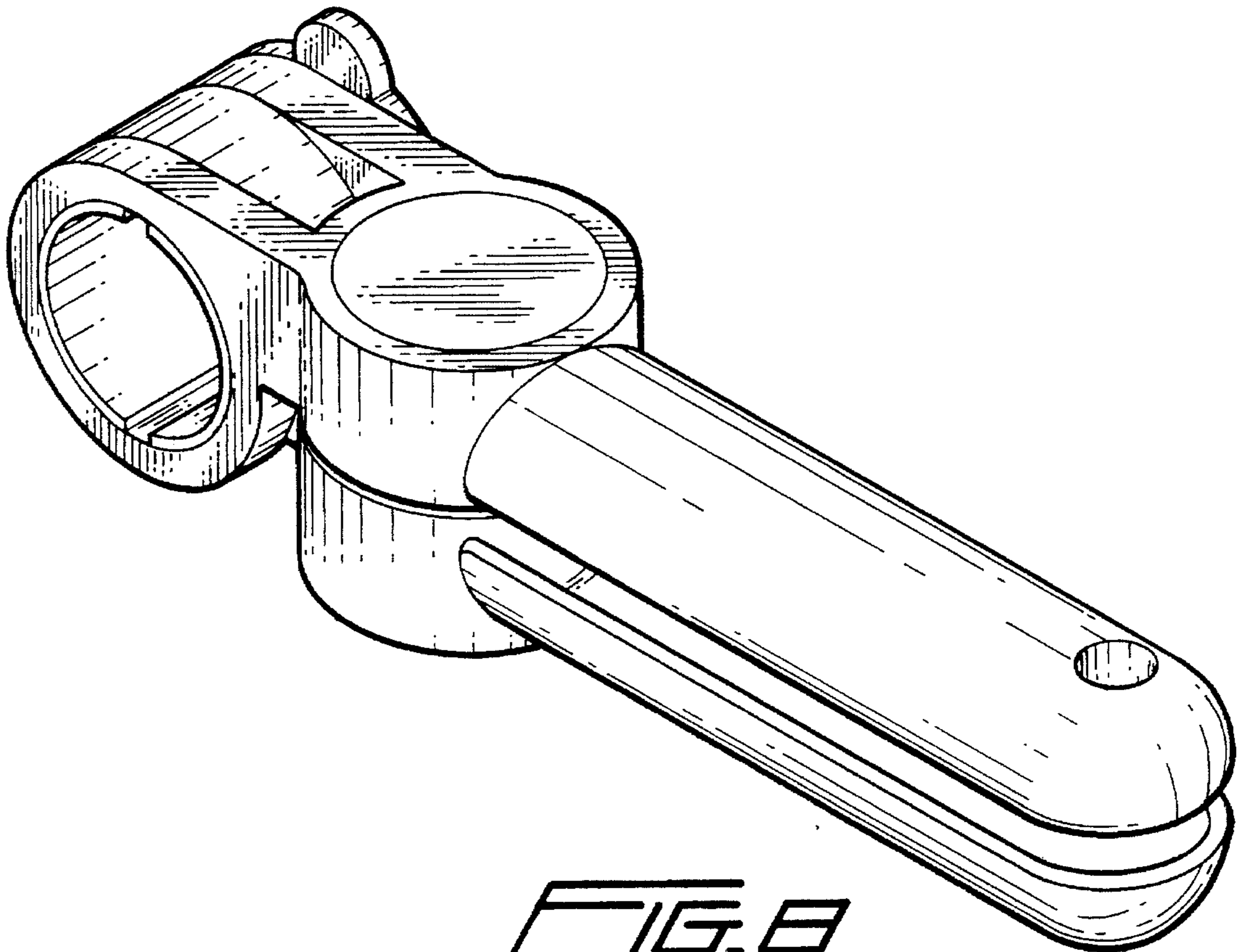


FIG. 8

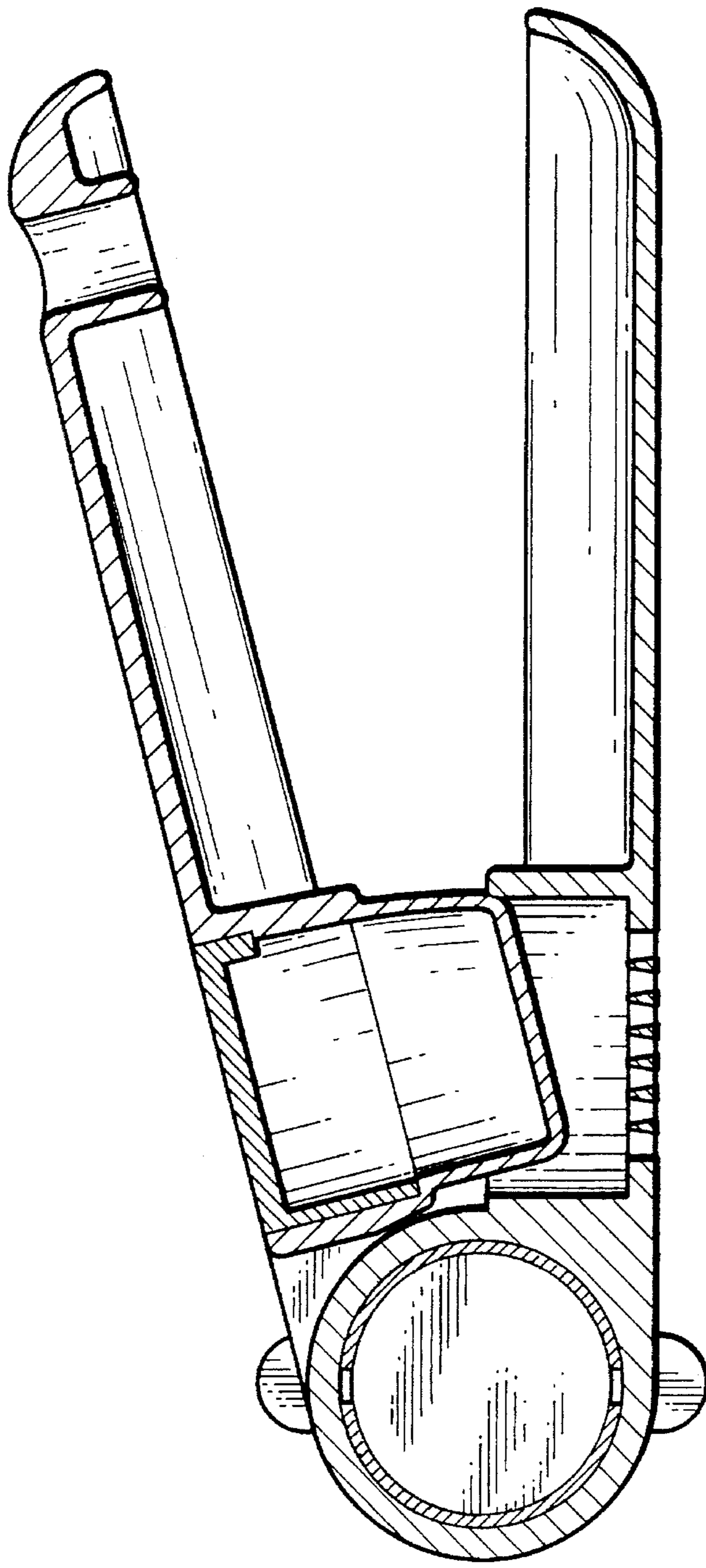


FIG. 8

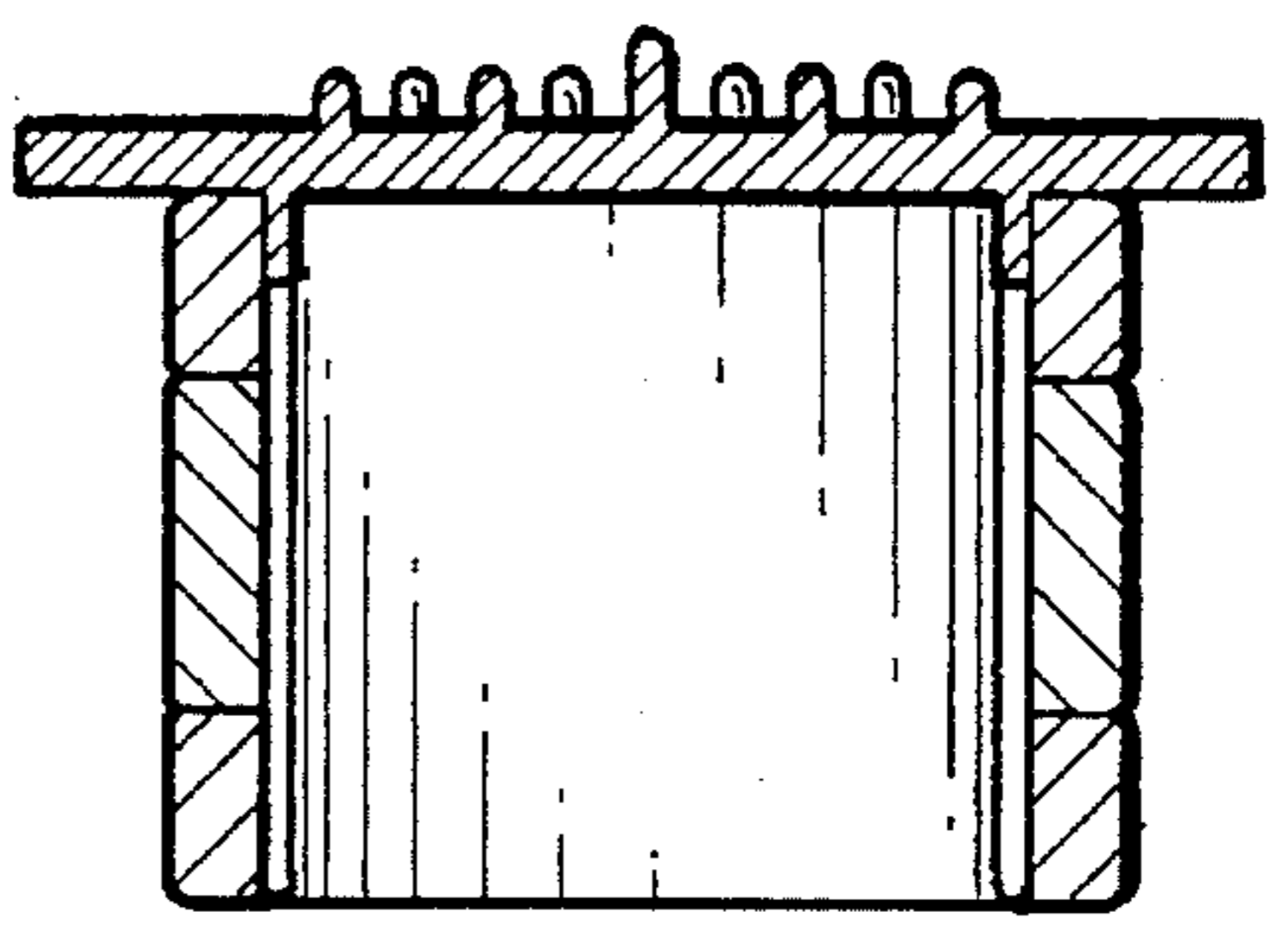


FIG. 9