



US00D366811S

United States Patent [19]

[11] **Patent Number:** **Des. 366,811**

Douer

[45] **Date of Patent:** ****Feb. 6, 1996**

[54] **DISPENSER OF POWDER/GRANULES**

[76] Inventor: **Morris I. Douer**, Lago Chalco No. 142, Col., Anahust, Mexico, D.F., Mexico, D.F. 11320

3,650,439 3/1972 Shimooka .
 4,085,870 4/1978 Von Holdt .
 4,394,941 7/1983 Racine 222/361 X
 4,403,715 9/1983 Ludovissie .
 4,516,701 5/1985 Tribble 222/361
 4,964,546 10/1990 Morrow et al. .

[**] Term: **14 Years**

FOREIGN PATENT DOCUMENTS

[21] Appl. No.: **19,255**

[22] Filed: **Feb. 25, 1994**

270010A 6/1988 European Pat. Off. .
 3105-803 9/1982 Germany .
 33956 7/1911 Sweden .
 2209733 5/1989 United Kingdom .

[30] **Foreign Application Priority Data**

OTHER PUBLICATIONS

Aug. 30, 1993 [MX] Mexico 93658

[52] **U.S. Cl.** **D7/589**

[58] **Field of Search** D7/589, 533-536;
 222/361-363

Document A—copy of FIGS. 1-5 (patent unknown) date unknown.
 Document B—copy of FIGS. 1&2 date unknown.

Primary Examiner—Terry A. Wallace

[56] **References Cited**

[57] **CLAIM**

U.S. PATENT DOCUMENTS

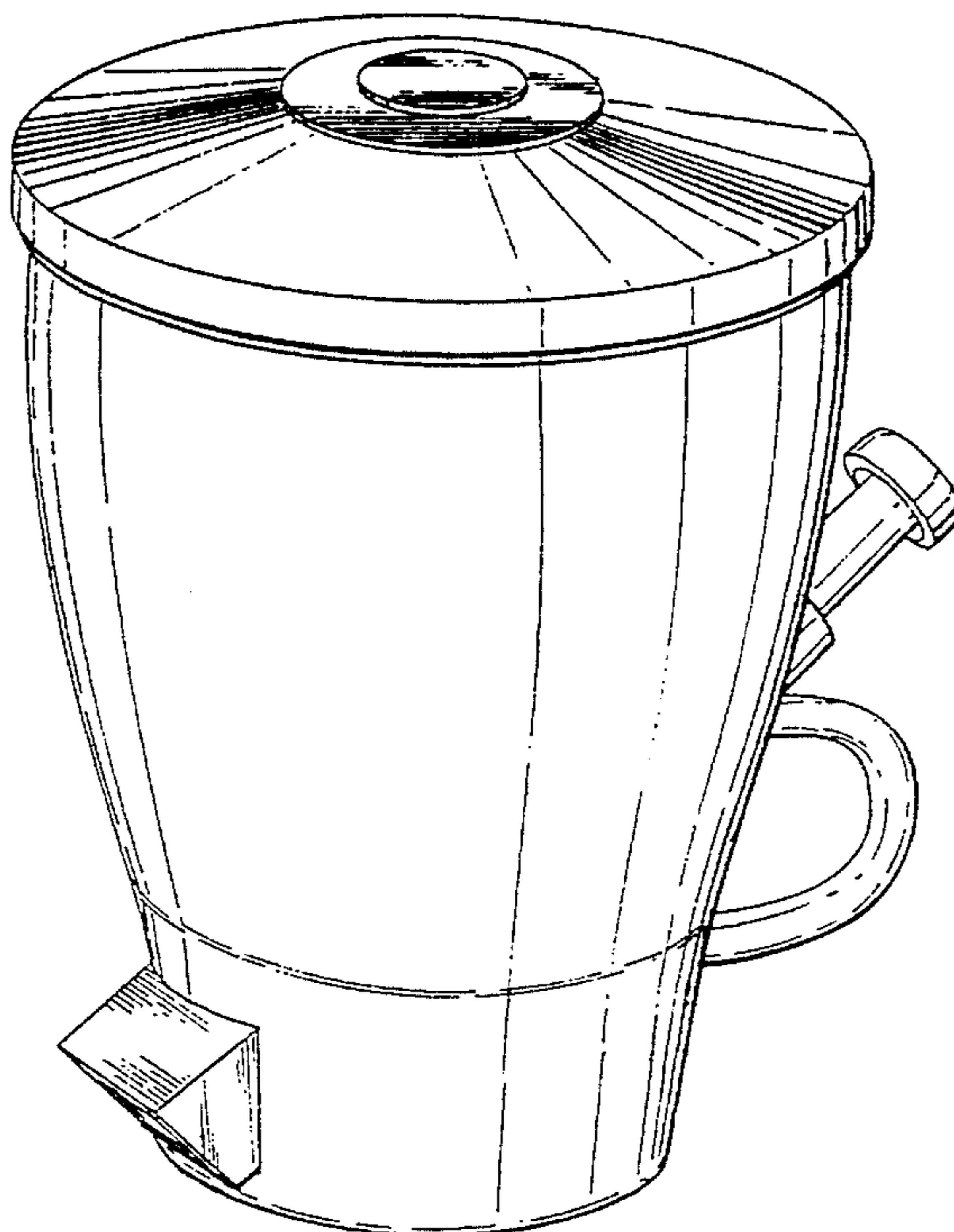
- D. 208,320 8/1967 Stark D7/589
- 901,866 10/1908 Bateman .
- 1,758,999 8/1929 Carns .
- 1,939,900 11/1931 Jagy .
- 1,945,849 3/1932 Ferrandino .
- 1,968,641 2/1933 Greig .
- 1,999,624 4/1934 Biazzi et al. .
- 2,242,576 3/1939 Feilders .
- 2,537,415 7/1948 Loeb et al. .
- 2,653,734 8/1951 Stoker .
- 2,852,167 9/1955 Lempart .
- 2,983,408 3/1959 Schwartz .
- 3,193,159 2/1964 Swindler .
- 3,217,945 12/1966 Monaco .
- 3,458,092 7/1969 McConnell .

The ornamental design for a dispenser of powder/granules, as shown and described.

DESCRIPTION

FIG. 1 is a right side elevation view of a dispenser for powder/granules showing my new design;
 FIG. 2 is a perspective view thereof;
 FIG. 3 is a front elevation view thereof;
 FIG. 4 is a rear elevation view thereof;
 FIG. 5 is a bottom plan view thereof; and,
 FIG. 6 is a top plan view thereof.
 The undisclosed left side is a mirror image of the right side.

1 Claim, 6 Drawing Sheets



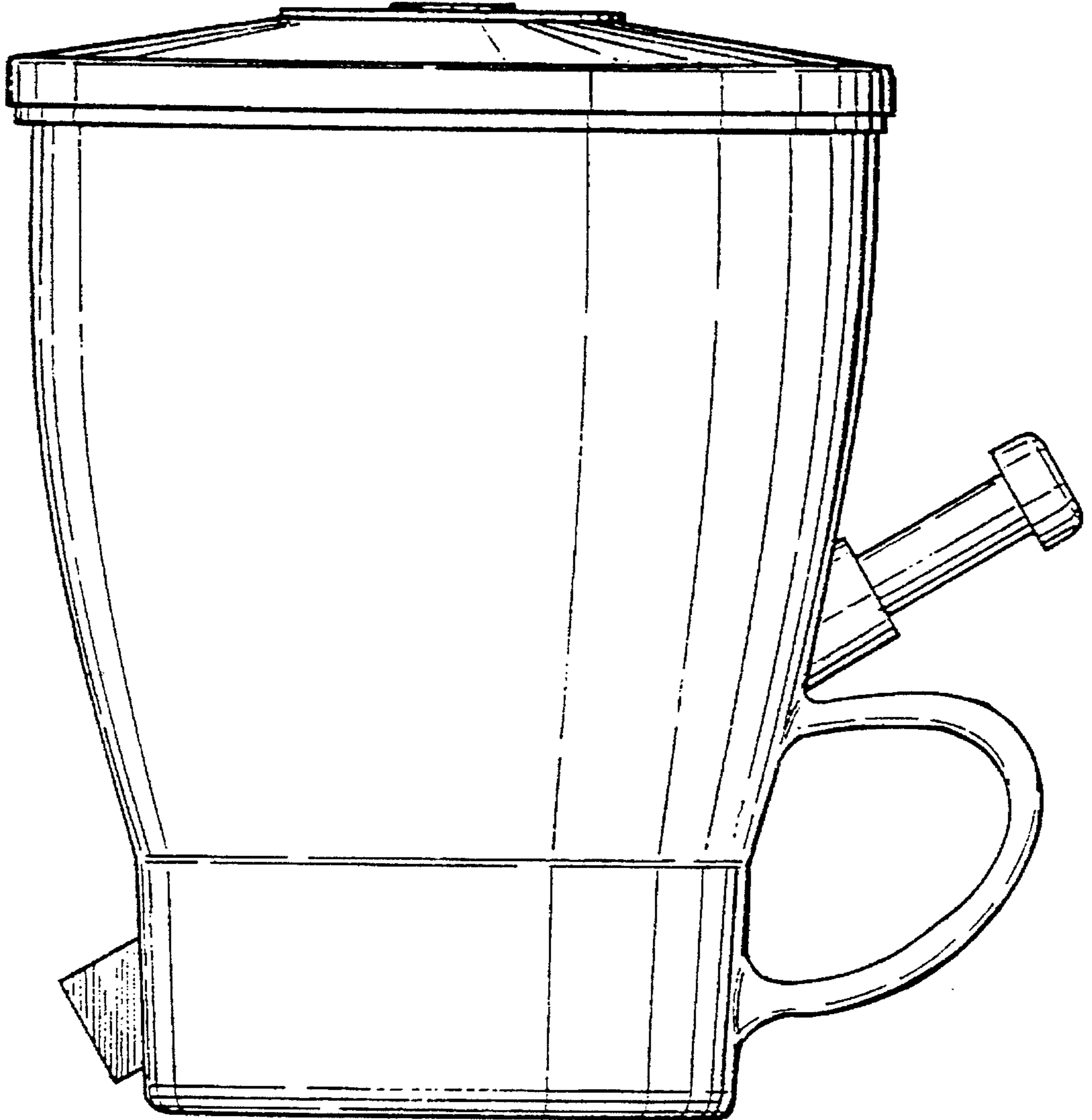


Fig. 1.

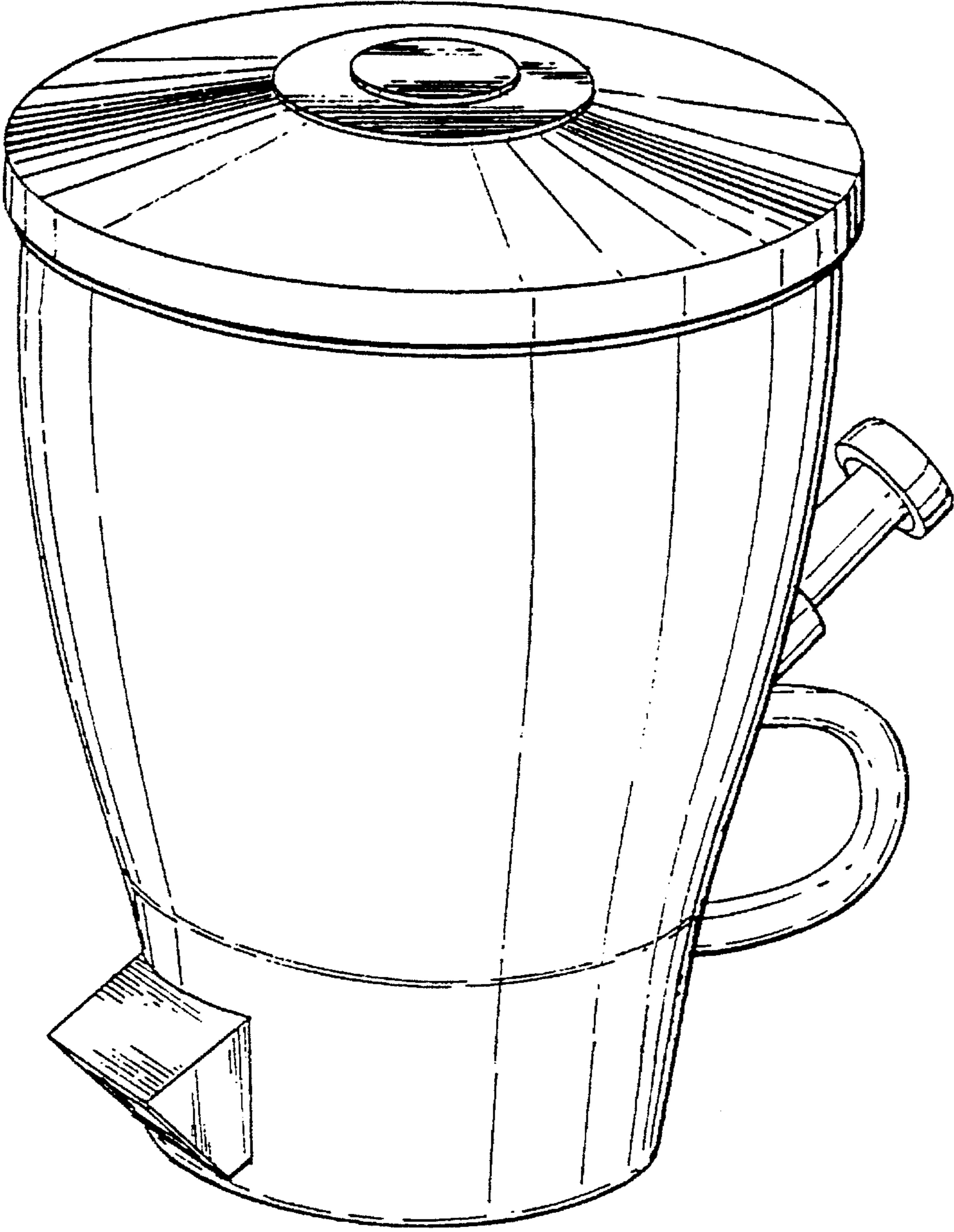


Fig. 2.

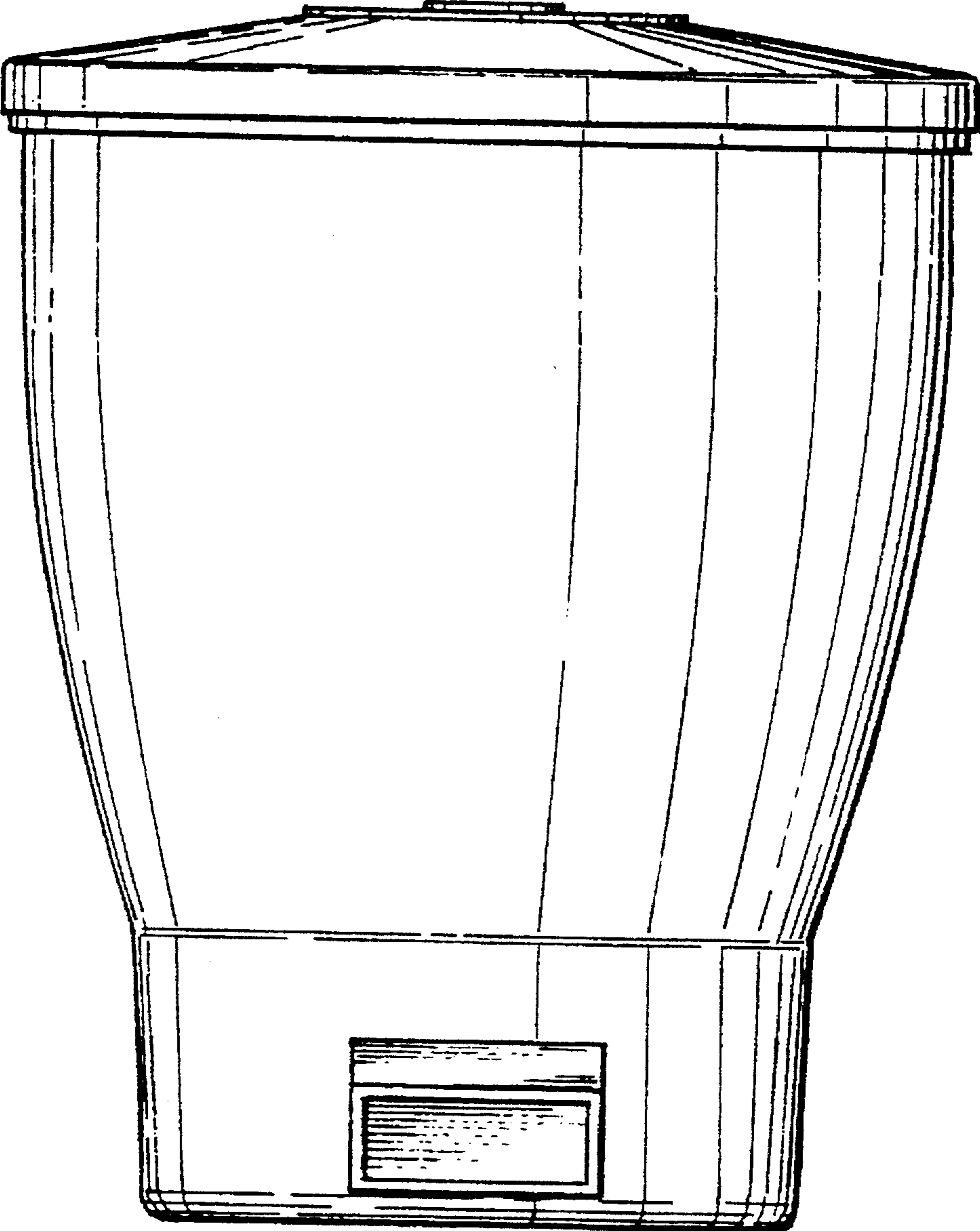


Fig. 3.

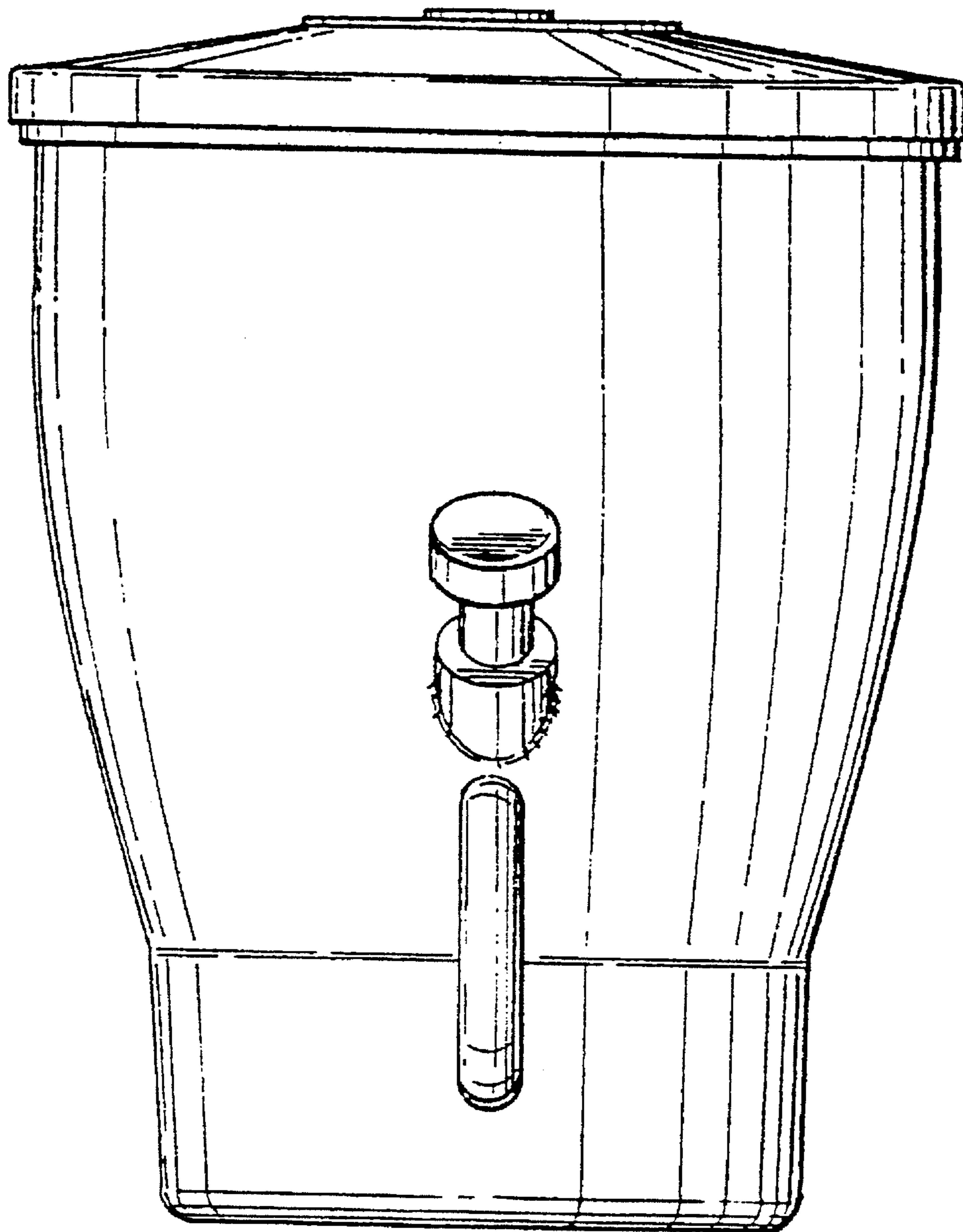


FIG. 4.

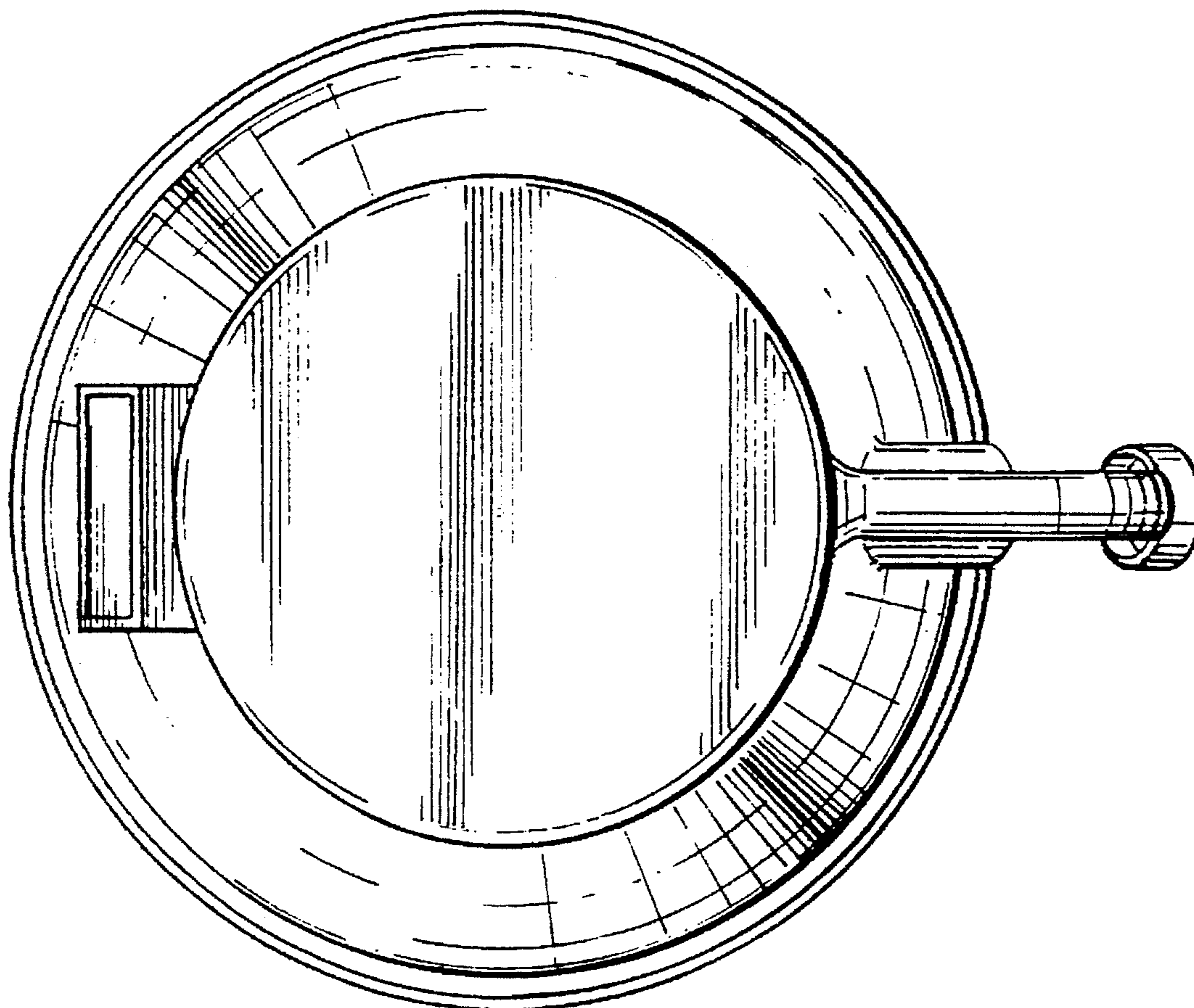


FIG. 5.

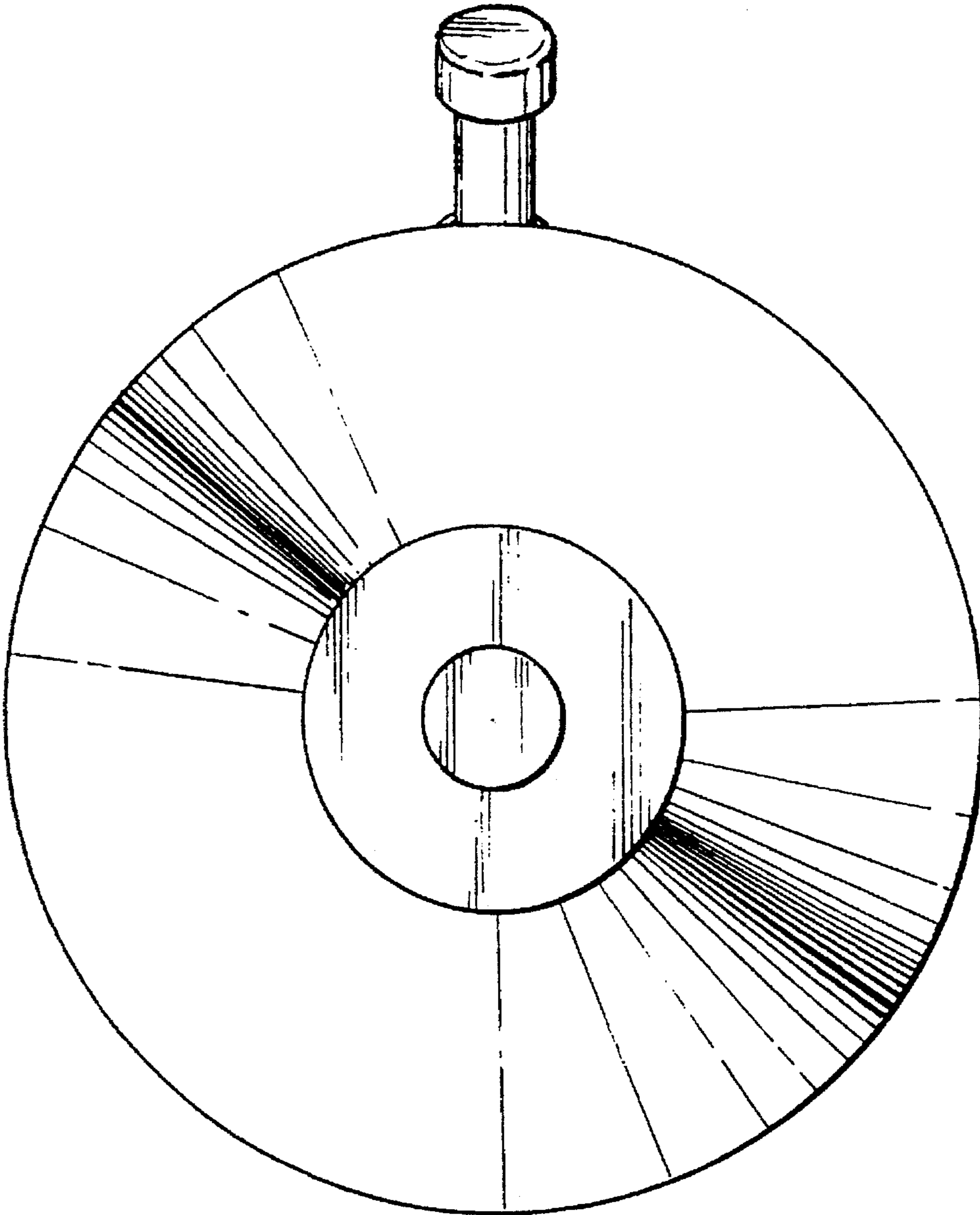


FIG. 6.