



US00D366810S

# United States Patent [19] Yeh

[11] Patent Number: **Des. 366,810**

[45] Date of Patent: **\*\*Feb. 6, 1996**

[54] MUG

[76] Inventor: **Frank Yeh**, 1019 N. Mayflower St.,  
Anaheim, Calif. 92801

[\*\*] Term: **14 Years**

[21] Appl. No.: **30,961**

[22] Filed: **Nov. 14, 1994**

[52] U.S. Cl. .... **D7/536; D7/533**

[58] Field of Search ..... D7/619, 622, 507,  
D7/509, 510, 511, 512, 513, 514, 515,  
516, 523, 524, 531, 532, 533, 534, 535,  
536; 215/396, 398; 220/711, 713

D. 343,991	2/1994	Schaeppi .....	D7/536
D. 346,933	5/1994	Denny et al. ....	D7/533 X
604,514	5/1898	Belden .....	D7/523 X
2,299,730	10/1942	Bornstein .....	215/387 X
4,582,218	4/1986	Ross .	
4,765,465	8/1988	Tamada et al. ....	D7/536 X
5,018,636	5/1991	Ross .	
5,102,000	4/1992	Feltman, III .	
5,217,141	6/1993	Ross .	

*Primary Examiner*—Alan P. Douglas  
*Assistant Examiner*—M. N. Pandozzi  
*Attorney, Agent, or Firm*—Raymond Sun

### [57] CLAIM

The ornamental design for a mug, as shown and described.

### [56] References Cited

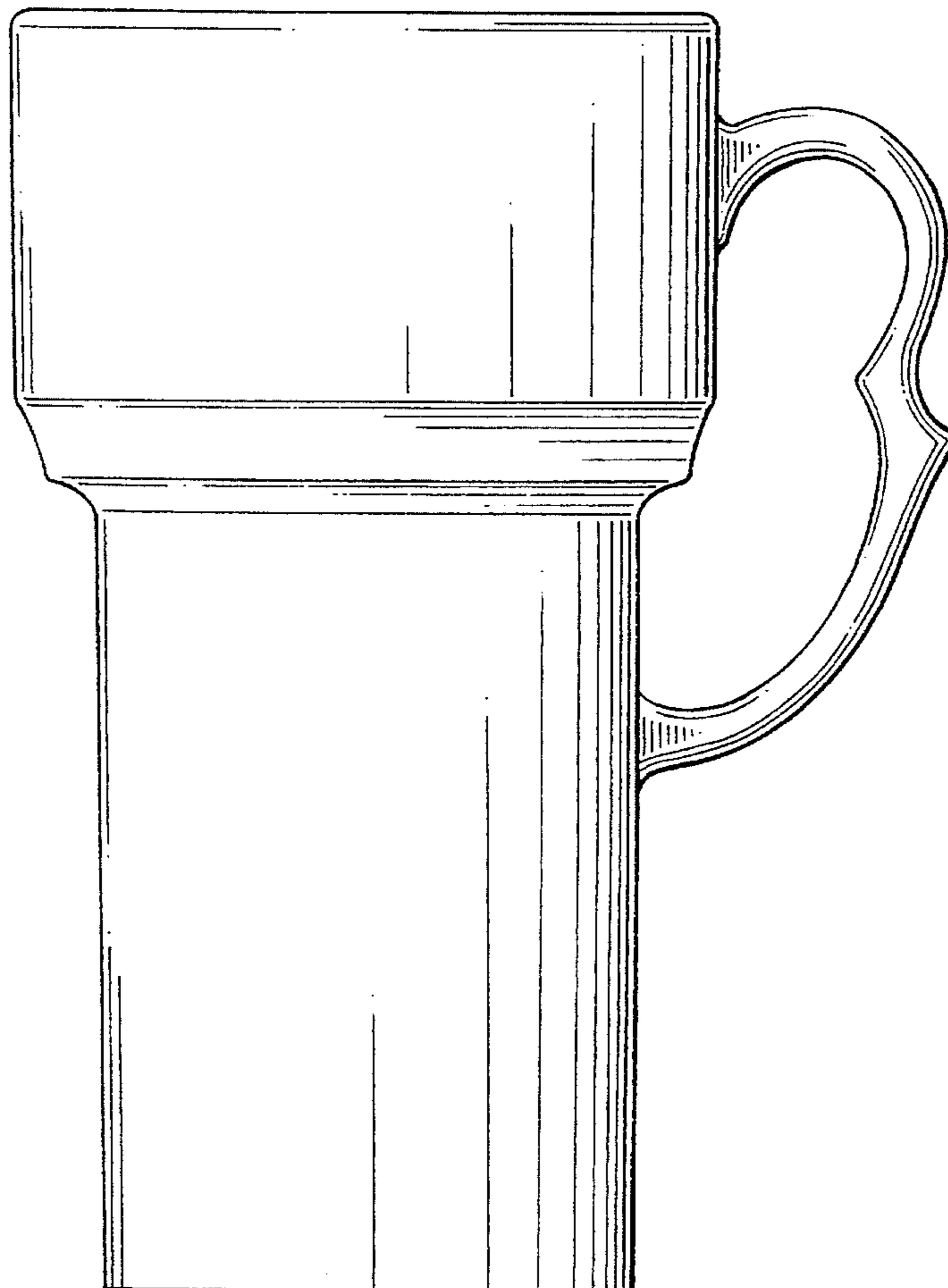
#### U.S. PATENT DOCUMENTS

D. 226,962	5/1973	Krock .	
D. 249,316	9/1978	Tyska et al. .	
D. 255,858	7/1980	Ashton .....	D7/536
D. 274,695	7/1984	Kennedy .....	D7/511 X
D. 293,293	12/1987	Isles .....	D7/536 X
D. 294,100	2/1988	Ross .	
D. 330,484	10/1992	Ross .	
D. 333,067	2/1993	Feltman, III .....	D7/533 X
D. 339,029	9/1993	Schaeppi .....	D7/536

### DESCRIPTION

FIG. 1 is a perspective view of my mug;  
FIG. 2 is a left side elevational view of the mug of FIG. 1;  
FIG. 3 is a right side elevational view of the mug of FIG. 1;  
FIG. 4 is a front elevational view, the rear elevational view  
being a mirror image thereof;  
FIG. 5 is an top plan view of the mug of FIG. 1; and,  
FIG. 6 is a bottom plan view of the mug of FIG. 1.

**1 Claim, 5 Drawing Sheets**



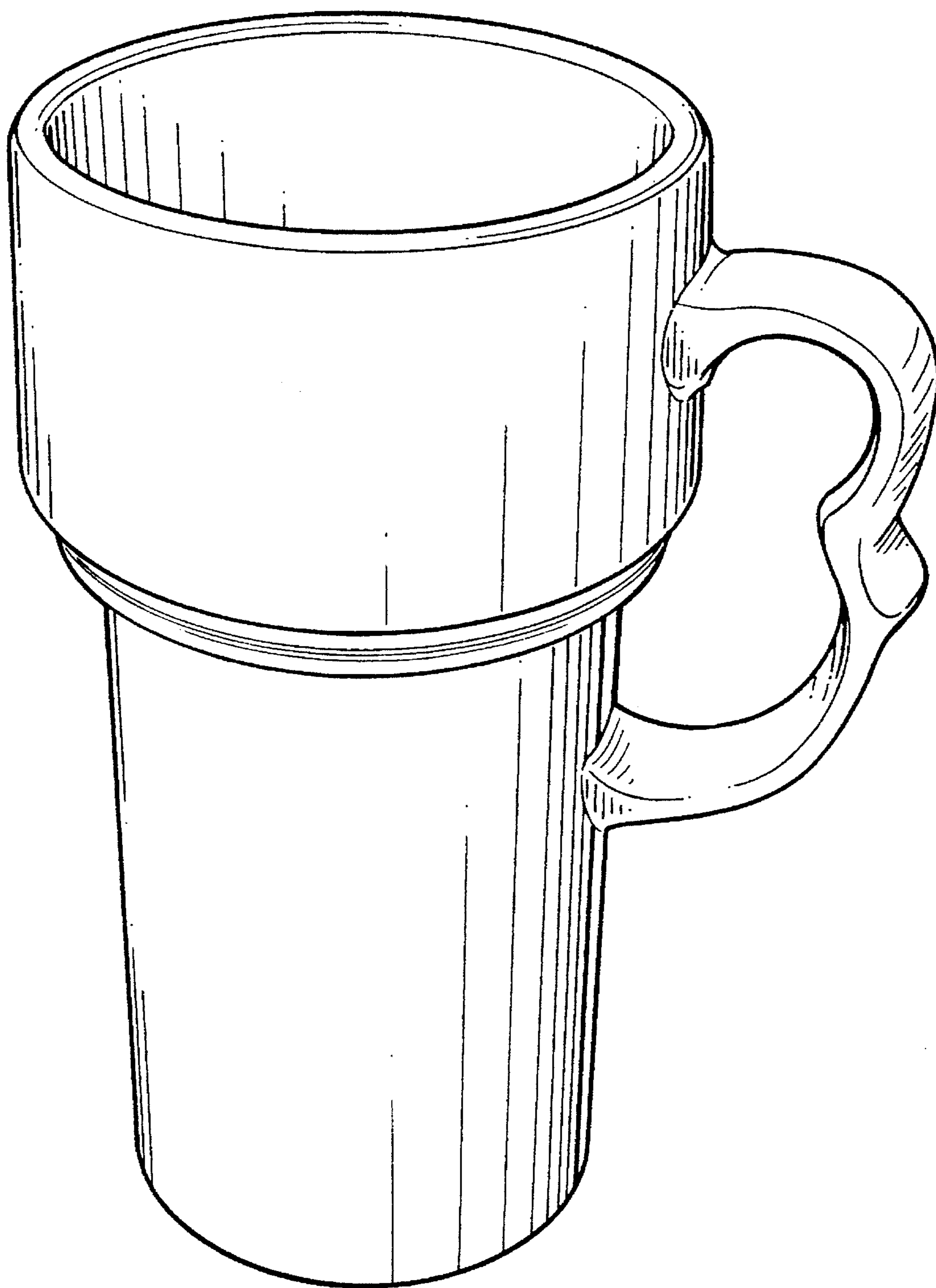


FIG. 1

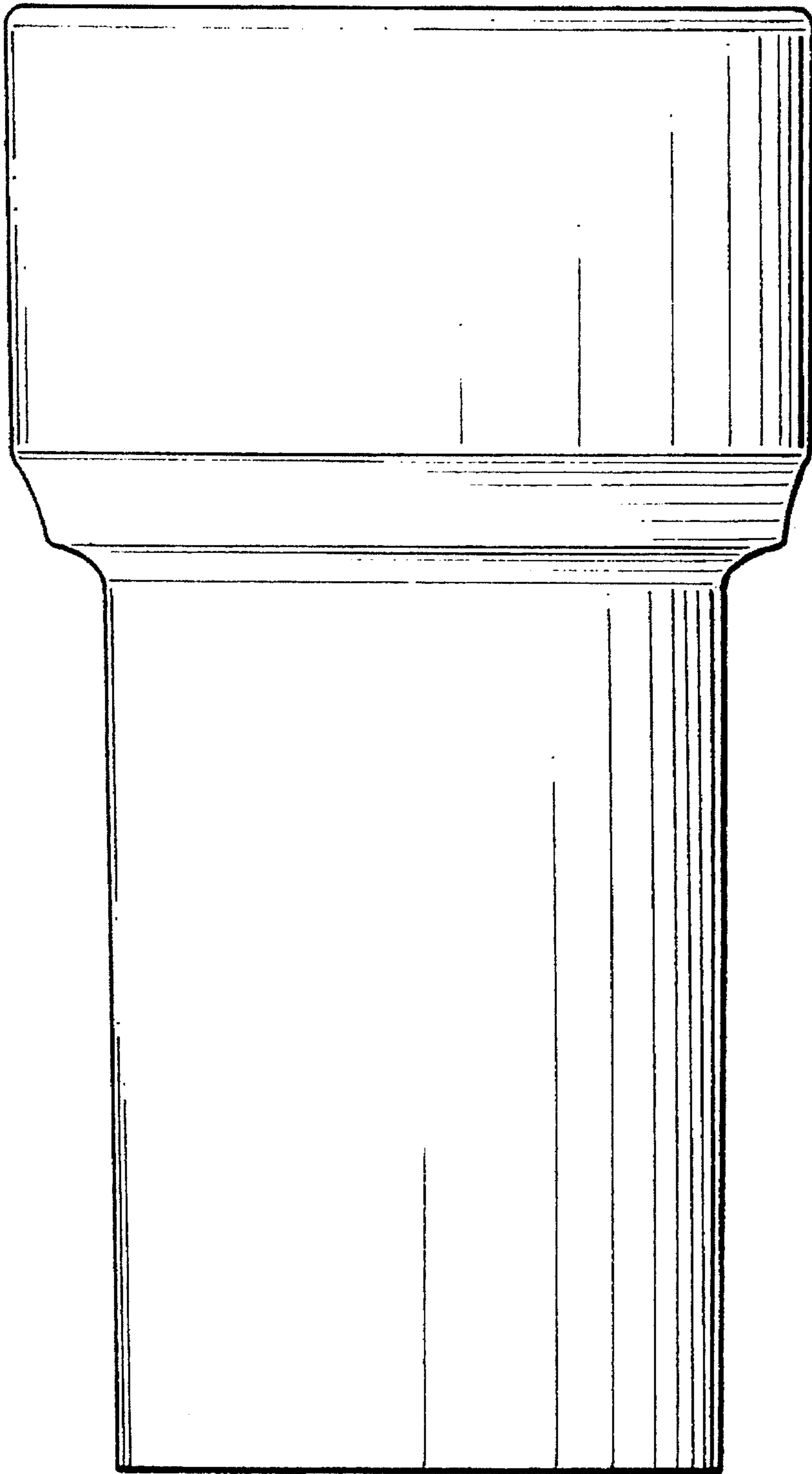


FIG. 2

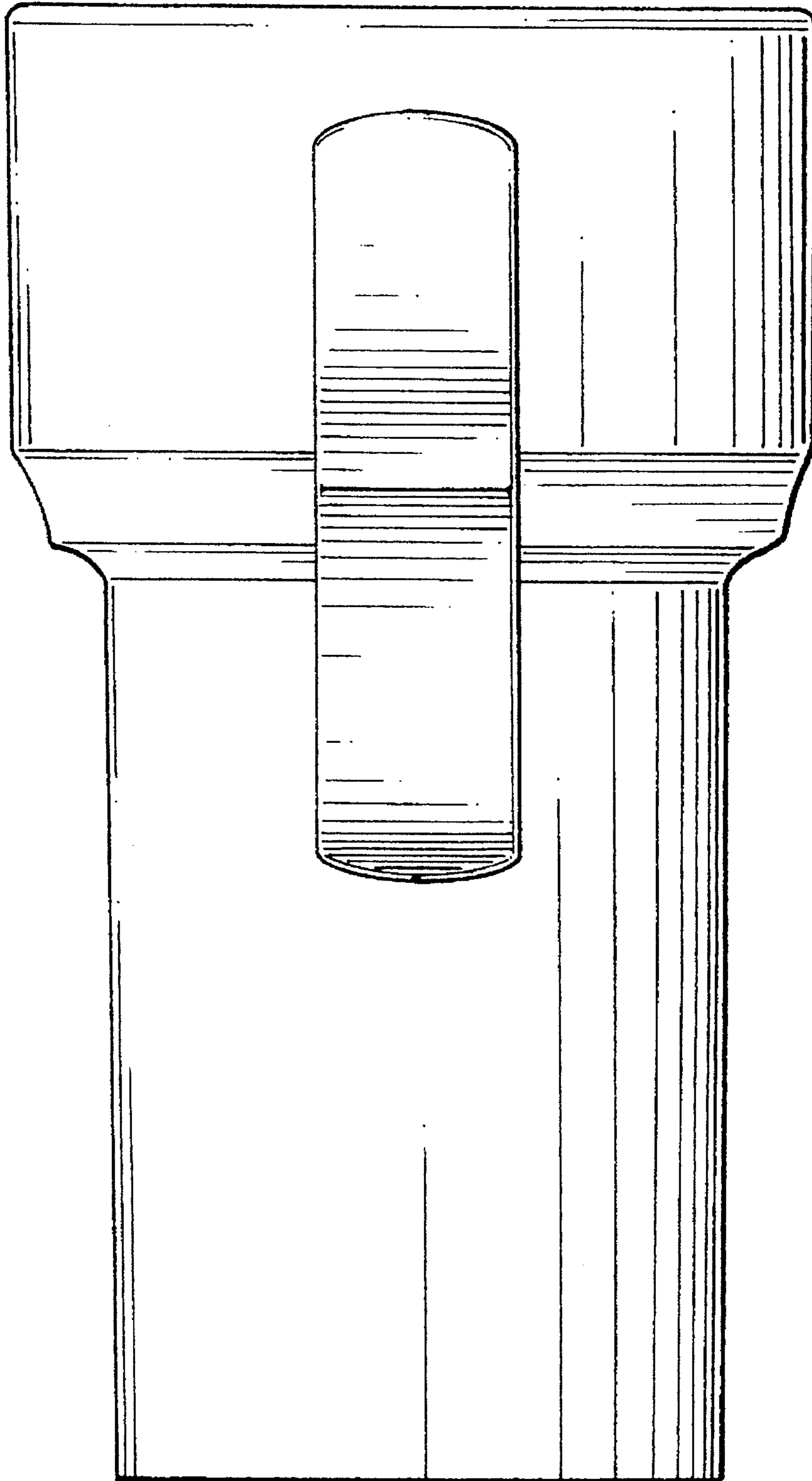


FIG. 3

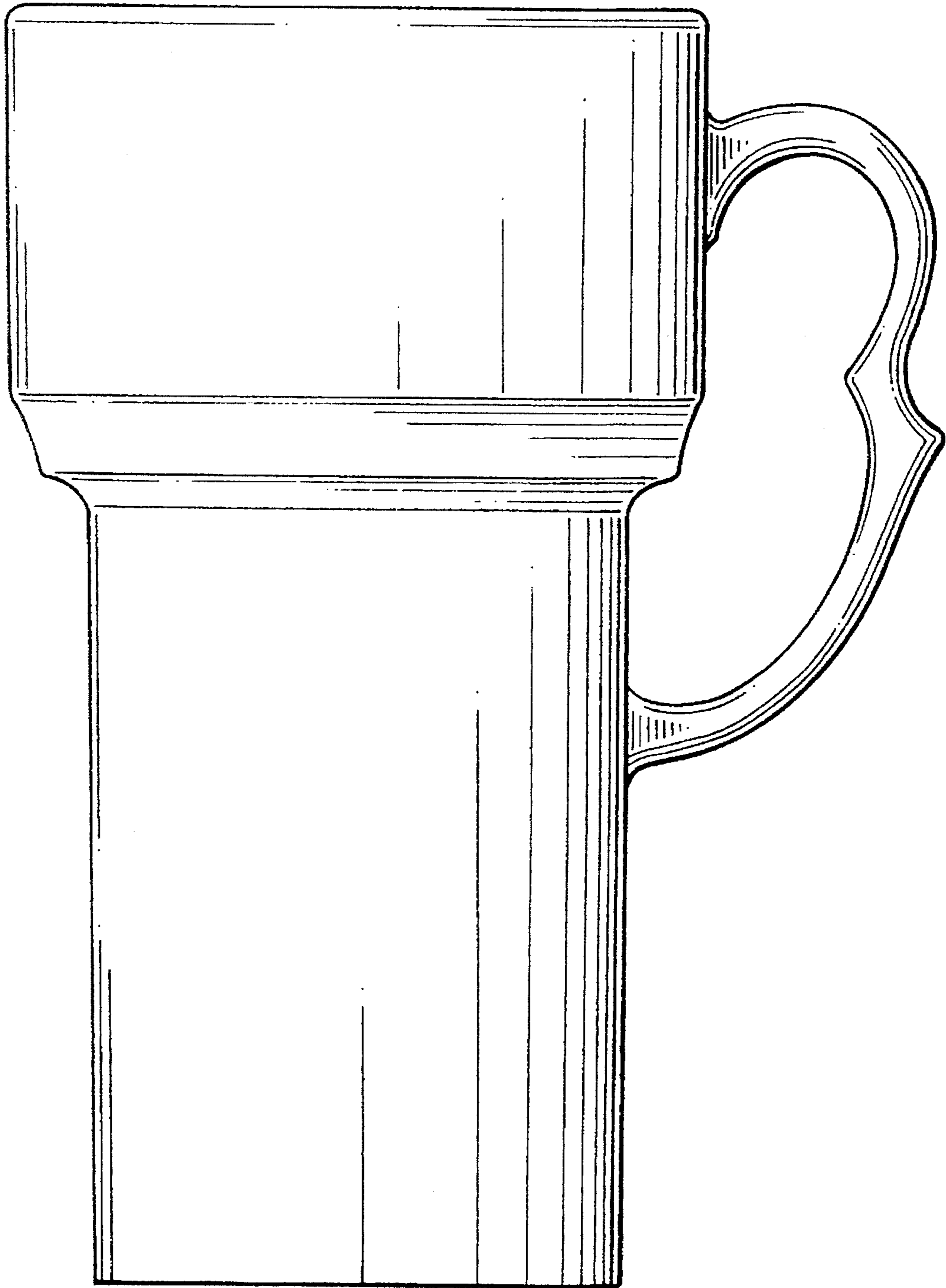


FIG. 4

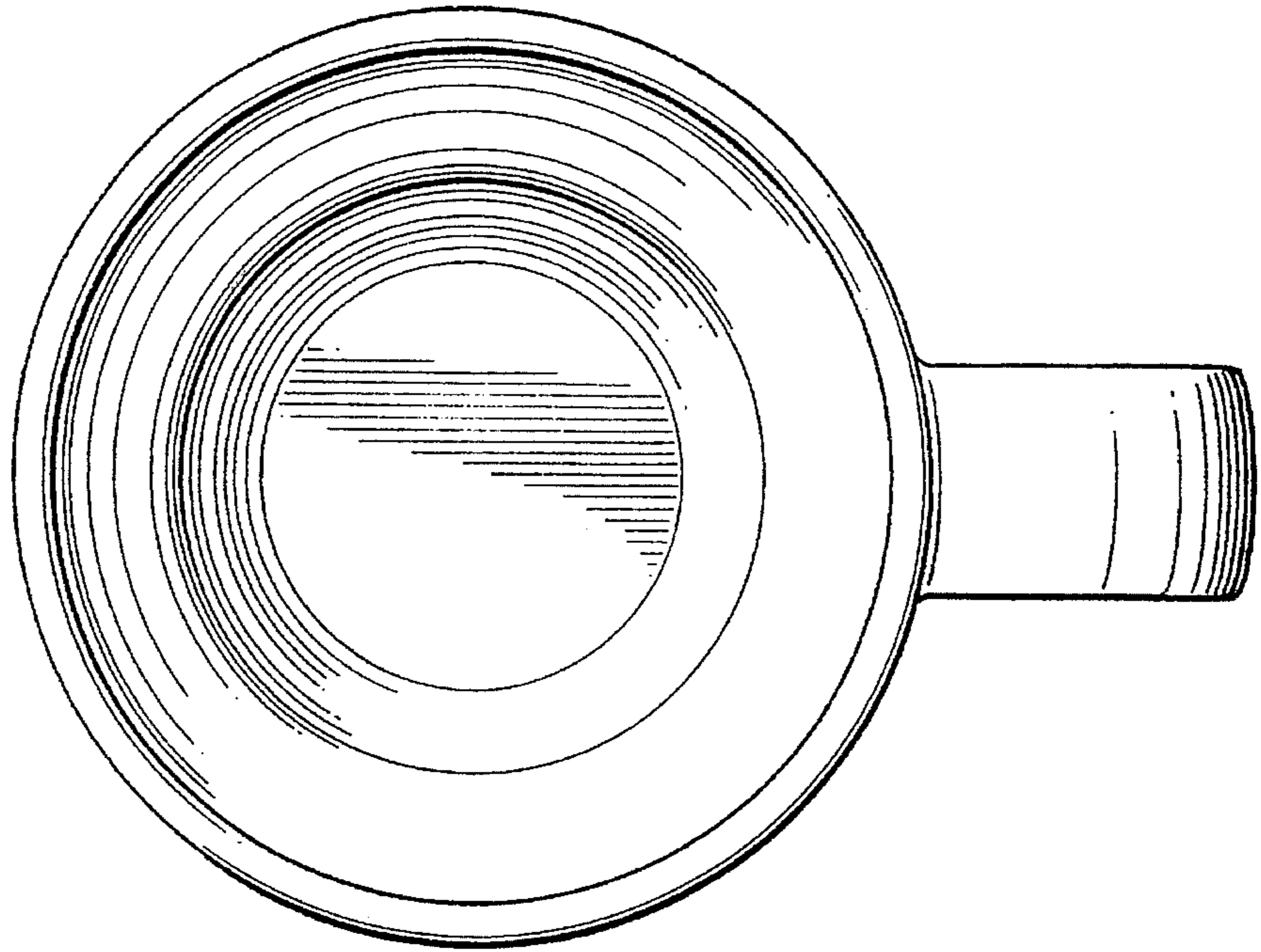


FIG. 5

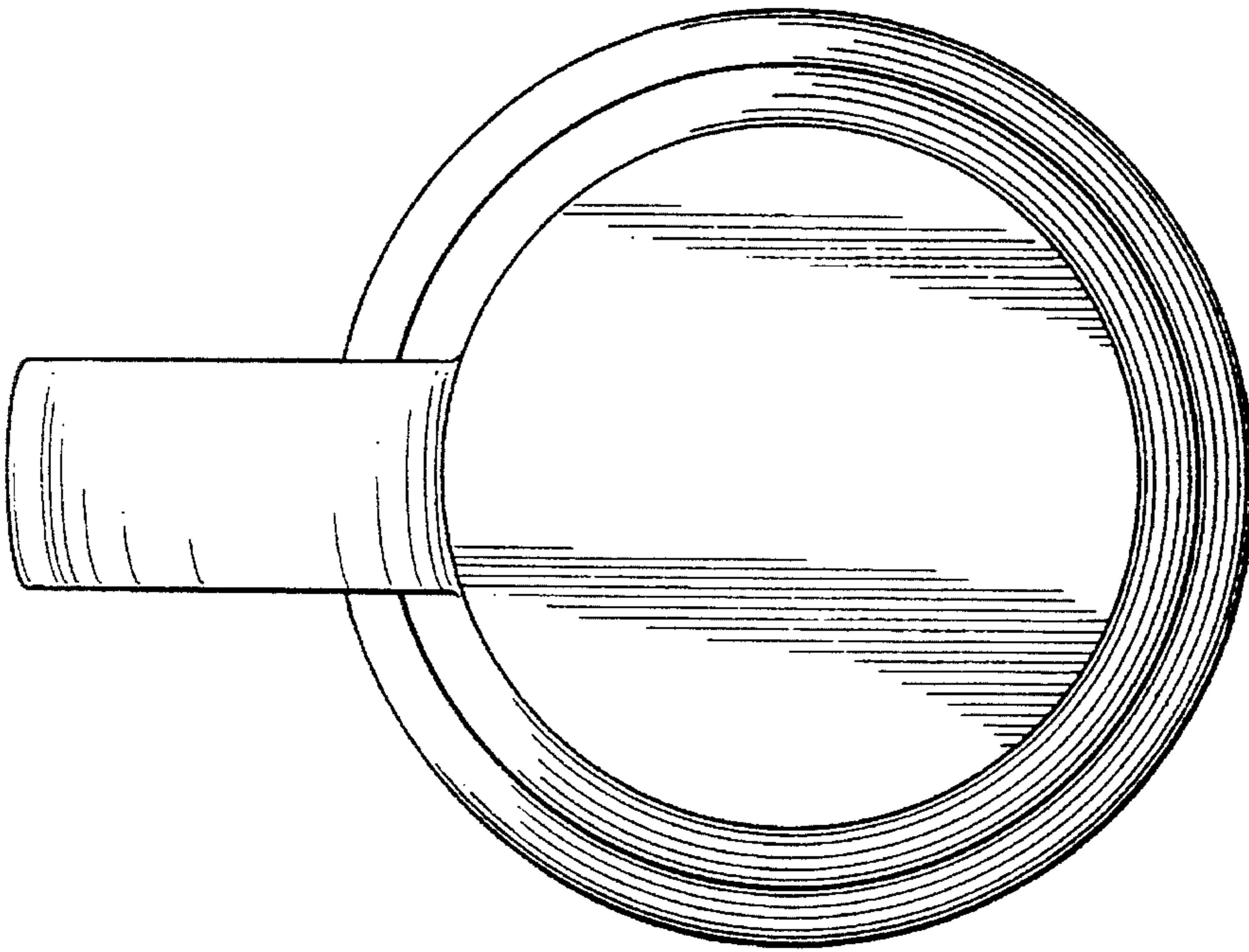


FIG. 6