



US00D366808S

**United States Patent** [19]  
**Newnan**

[11] **Patent Number: Des. 366,808**  
[45] **Date of Patent: \*\*Feb. 6, 1996**

[54] **COFFEE BEAN ROASTER DISPLAY UNIT**  
[76] Inventor: **Brian D. Newnan**, 10841 Herchell Dr.,  
San Jose, Calif. 95127  
[\*\*] Term: **14 Years**  
[21] Appl. No.: **21,395**  
[22] Filed: **Apr. 13, 1994**  
[52] U.S. Cl. .... **D7/402; D7/373**  
[58] Field of Search ..... 99/645, 340; D7/347,  
D7/373, 402

4,860,461 8/1989 Tamaki et al. .... 34/68  
4,895,308 1/1990 Tanaka ..... 241/65  
4,936,515 6/1990 Poag et al. .... 241/36  
5,083,502 1/1992 Enomoto ..... 99/286  
5,185,171 1/1993 Bersten ..... 426/467  
5,193,438 3/1993 Courtois ..... 99/286  
5,230,281 7/1993 Wireman et al. .... 99/483

**OTHER PUBLICATIONS**

Food Service Equipment and Supplies Specialist May 1993  
at p. 79 top left.

*Primary Examiner*—Louis S. Zarfes  
*Assistant Examiner*—Frank Martinez

[56] **References Cited**

**U.S. PATENT DOCUMENTS**

D. 110,988	8/1938	Van Doren	.....	D7/373
D. 113,738	3/1939	Hand	.....	D7/373
D. 118,149	12/1939	Blazey	.....	D7/373
D. 126,992	5/1941	Schuhmann	.....	D7/373
D. 128,715	7/1872	Dalby	.....	99/340
D. 148,735	2/1948	Torres	.....	D7/347
262,390	8/1882	Fisher	.....	432/240
603,551	5/1898	Burs	.....	99/645 X
1,665,778	4/1928	Fredrickson	.....	34/179
1,843,131	2/1932	Howson	.....	99/343
1,970,499	8/1934	Dent	.....	99/468
1,985,604	12/1934	Fitzgerald	.....	34/179
2,060,581	11/1936	Laessig	.....	426/45
2,069,193	1/1936	Behr et al.	.....	34/174
2,326,094	8/1943	Cusack et al.	.....	34/534
2,340,345	1/1944	Richeson	.	
2,451,462	10/1948	Yglesias-Paz	.....	34/181
2,509,765	5/1950	Forse	.....	34/580
2,574,848	11/1951	Schroeder	.....	34/280
2,700,225	1/1955	Schmid et al.	.....	34/545
2,827,845	3/1958	Richeson	.....	99/282
2,857,683	10/1958	Schyttil	.....	34/583
3,098,726	7/1963	Stone	.....	34/596
3,153,377	10/1964	Bosak	.....	99/280
3,186,102	6/1965	Brociner et al.	.....	34/364
3,207,494	9/1965	Jäger	.....	34/592
3,360,867	1/1968	Sanderson	.....	34/362
3,964,175	6/1976	Sivetz	.....	34/589
4,089,259	5/1978	Stickle et al.	.....	99/355
4,196,342	4/1980	Chailloux	.....	219/385
4,271,603	6/1981	Moore, III	.....	34/181
4,325,191	4/1982	Kumagai et al.	.....	34/54
4,642,906	2/1987	Kaatze et al.	.....	34/393

[57] **CLAIM**

The ornamental design of a coffee bean roaster display unit,  
as shown and described.

**DESCRIPTION**

FIG. 1 is a front perspective view of a coffee bean roaster display unit showing my new design in full lines with broken lines showing the associated environmental matter for illustrative purposes only and forming no part of the claimed design;  
FIG. 2 is a front elevational view of the coffee bean roaster display unit in full lines and the environmental matter showing in broken lines;  
FIG. 3 is a right side elevational view of the coffee bean roaster display unit in full lines and the environmental matter showing in broken lines;  
FIG. 4 is a left side elevational view of the coffee bean roaster display unit in full lines and the environmental matter showing in broken lines;  
FIG. 5 is a top plan view of the coffee bean roaster display unit in full lines and the environmental matter showing in broken lines;  
FIG. 6 is a bottom plan view of the coffee bean roaster display unit in full lines and the environmental matter showing in broken lines;  
FIG. 7 is a rear elevational view of the coffee bean roaster display unit in full lines and the environmental matter showing in broken lines; and,  
FIG. 8 is a rear elevational view of the coffee bean roaster display unit without the broken lines of the associated environmental matter.

**1 Claim, 8 Drawing Sheets**

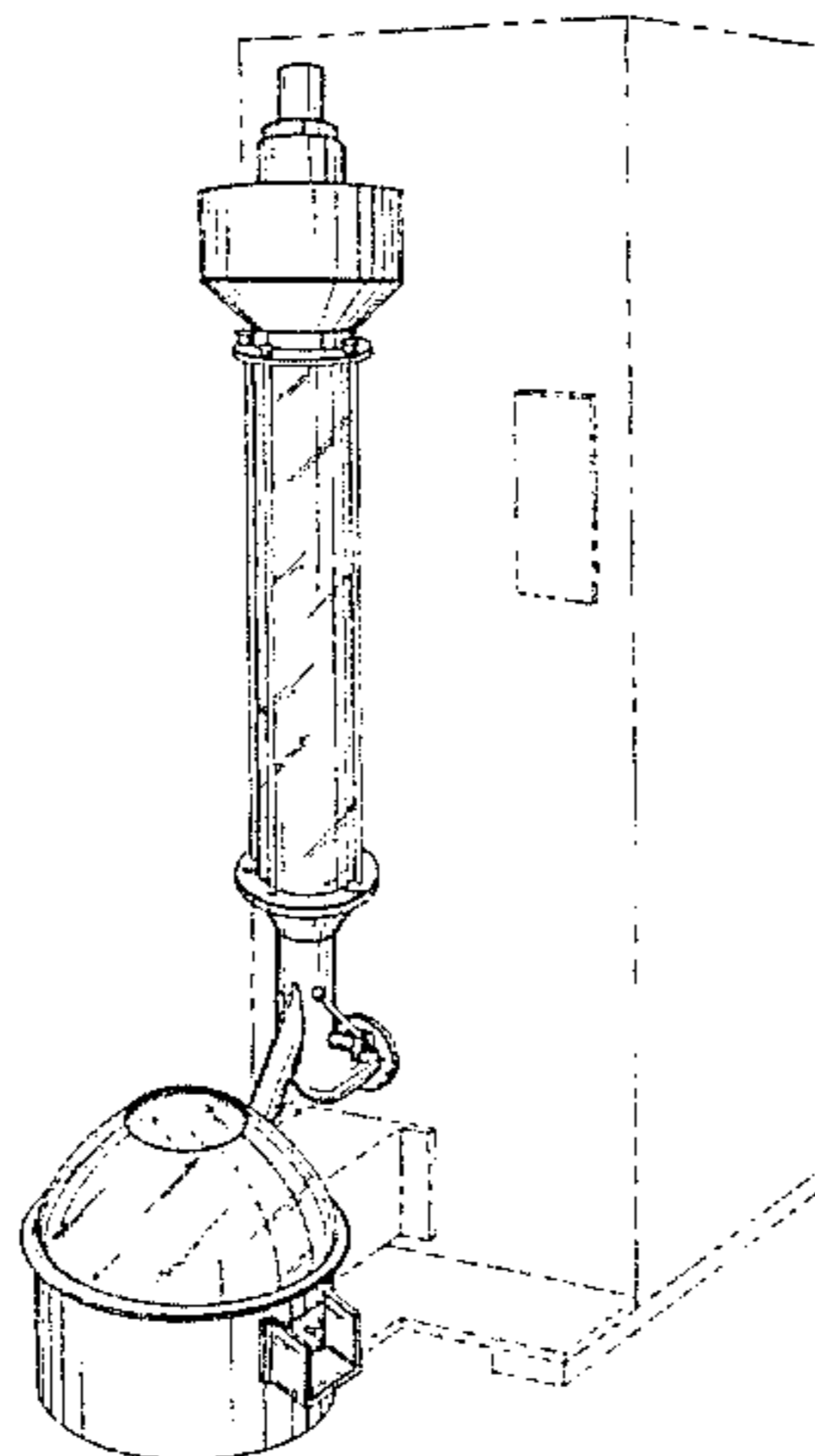


FIG. 1

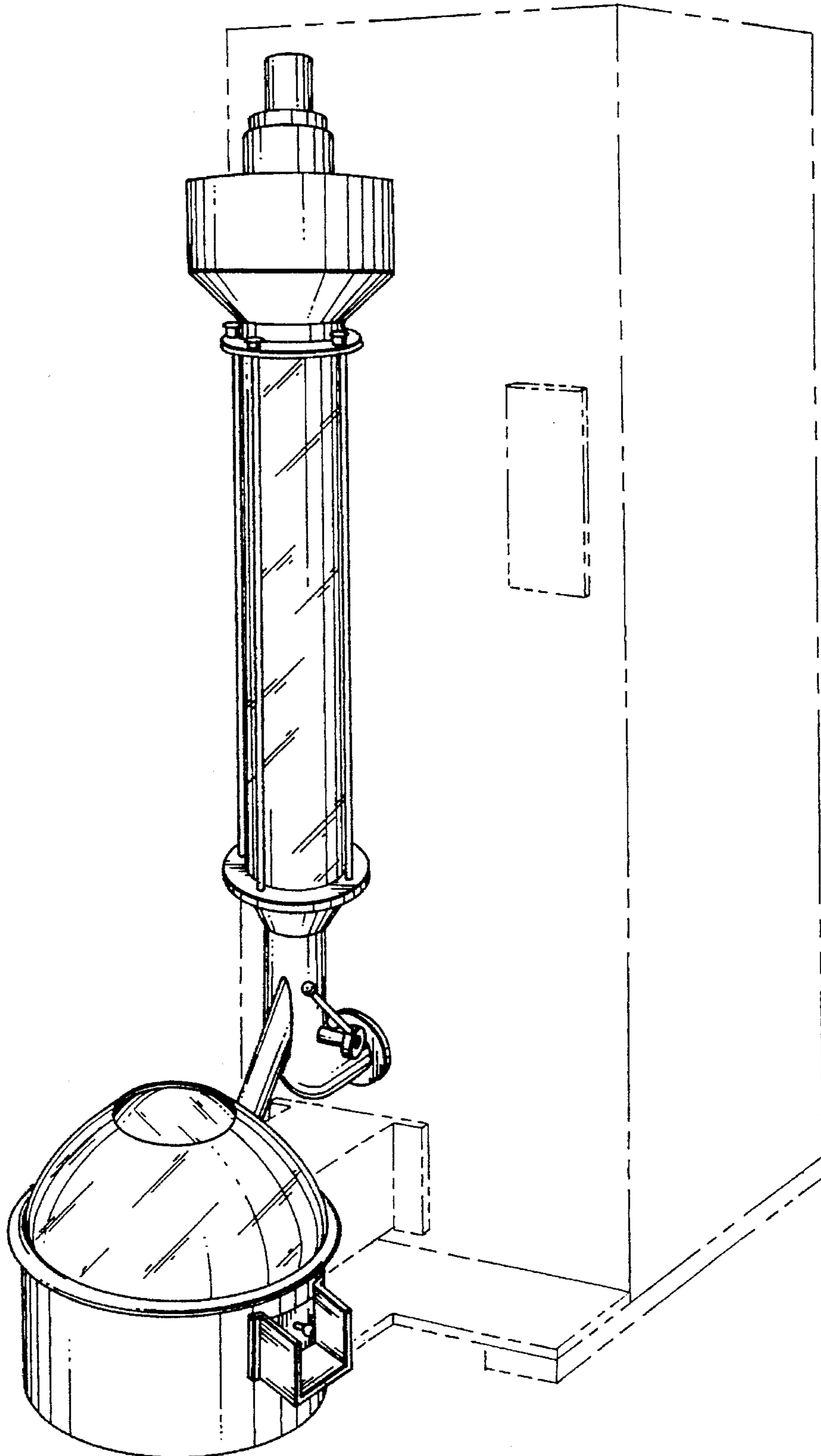


FIG. 2

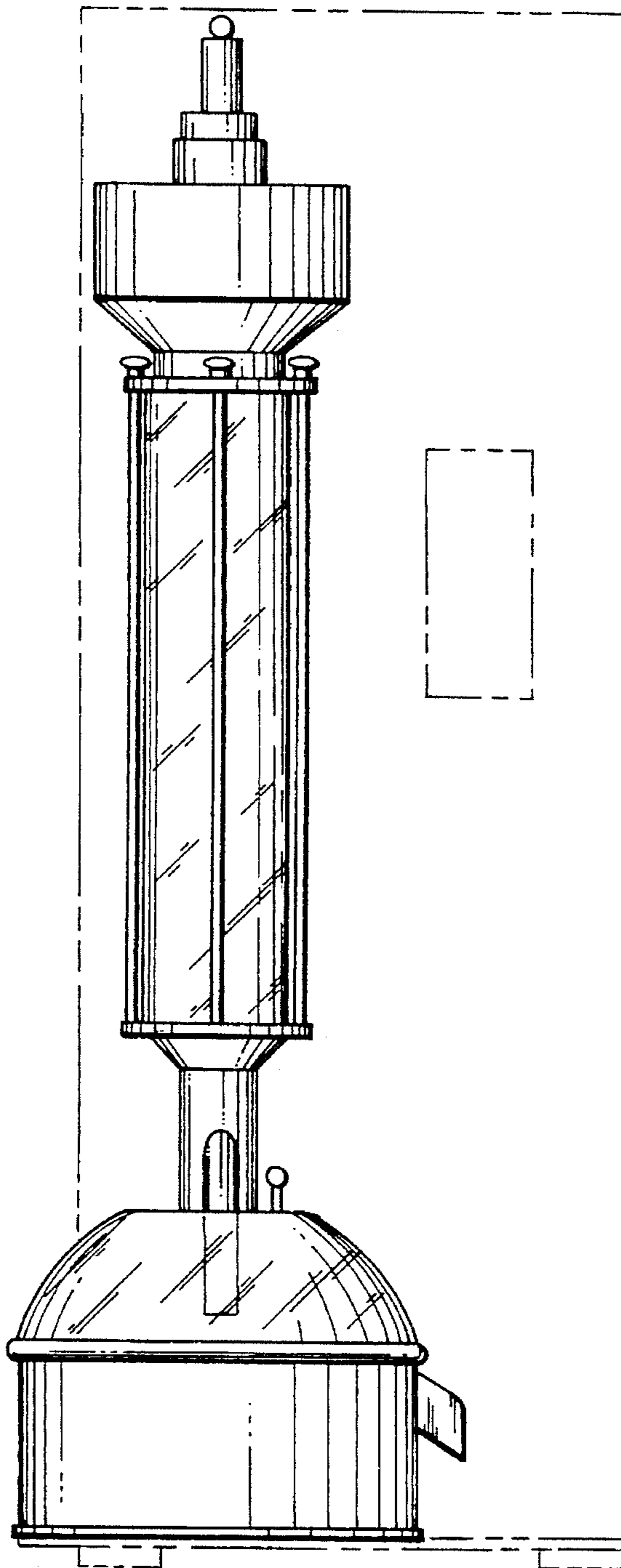


FIG. 3

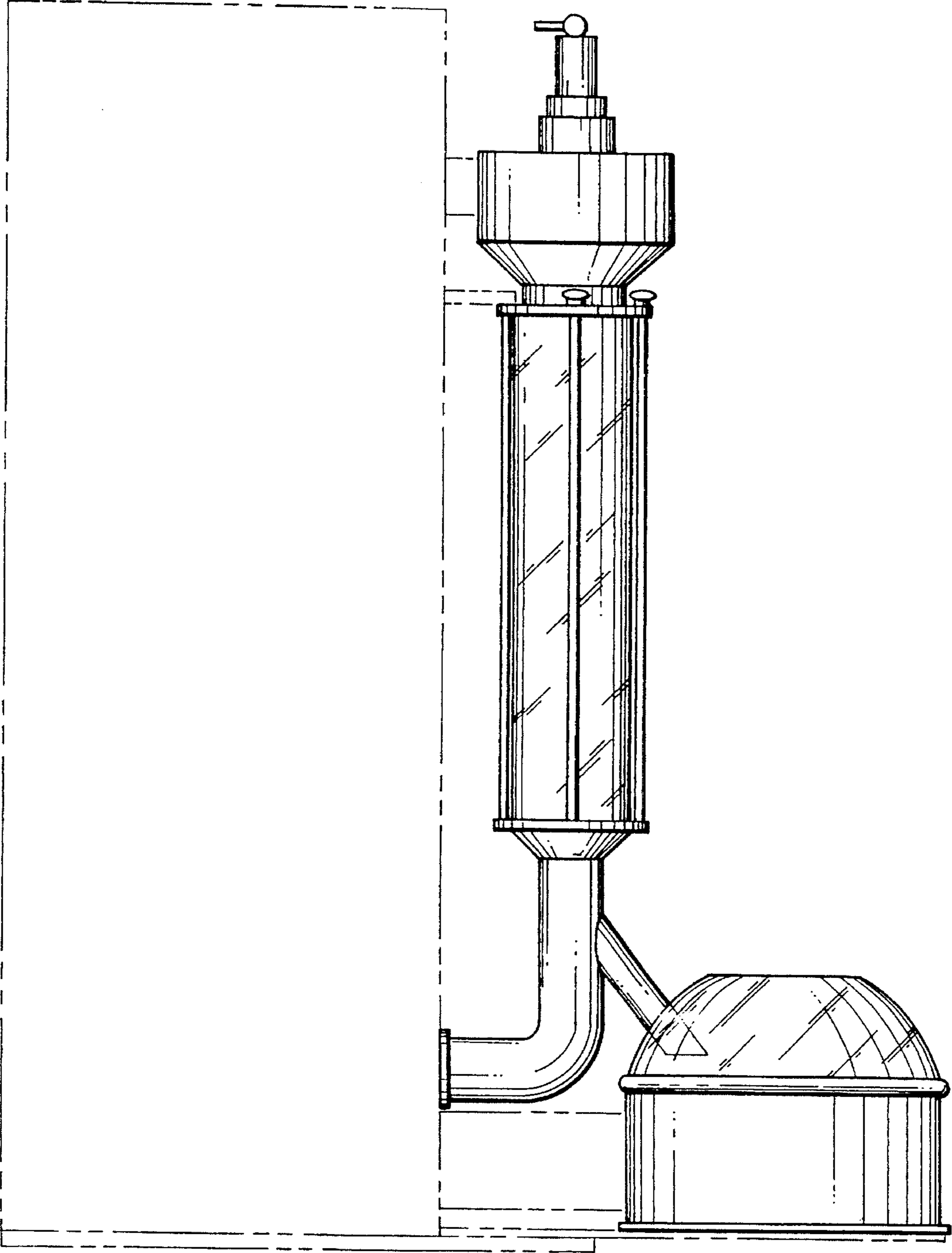


FIG. 4

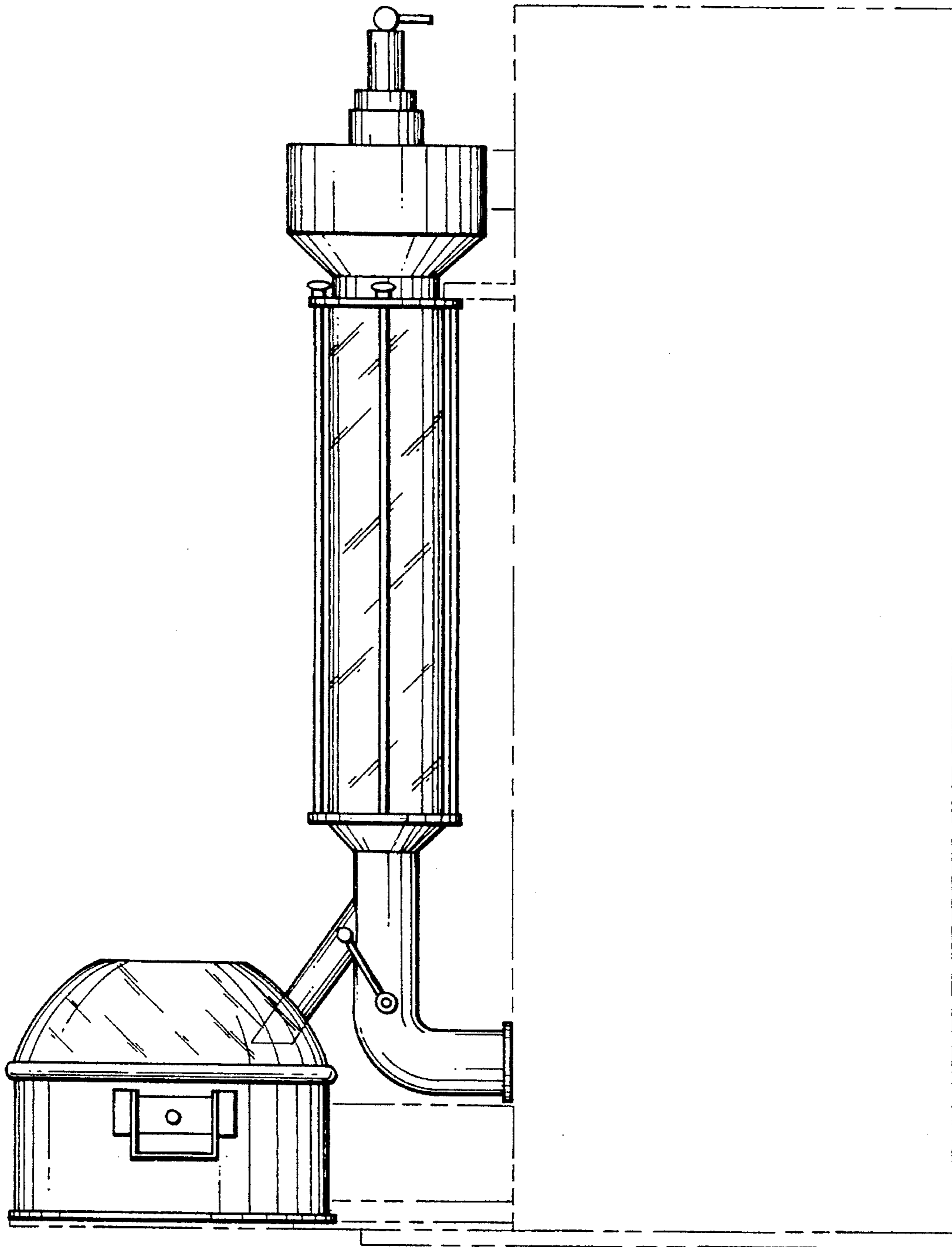


FIG. 5

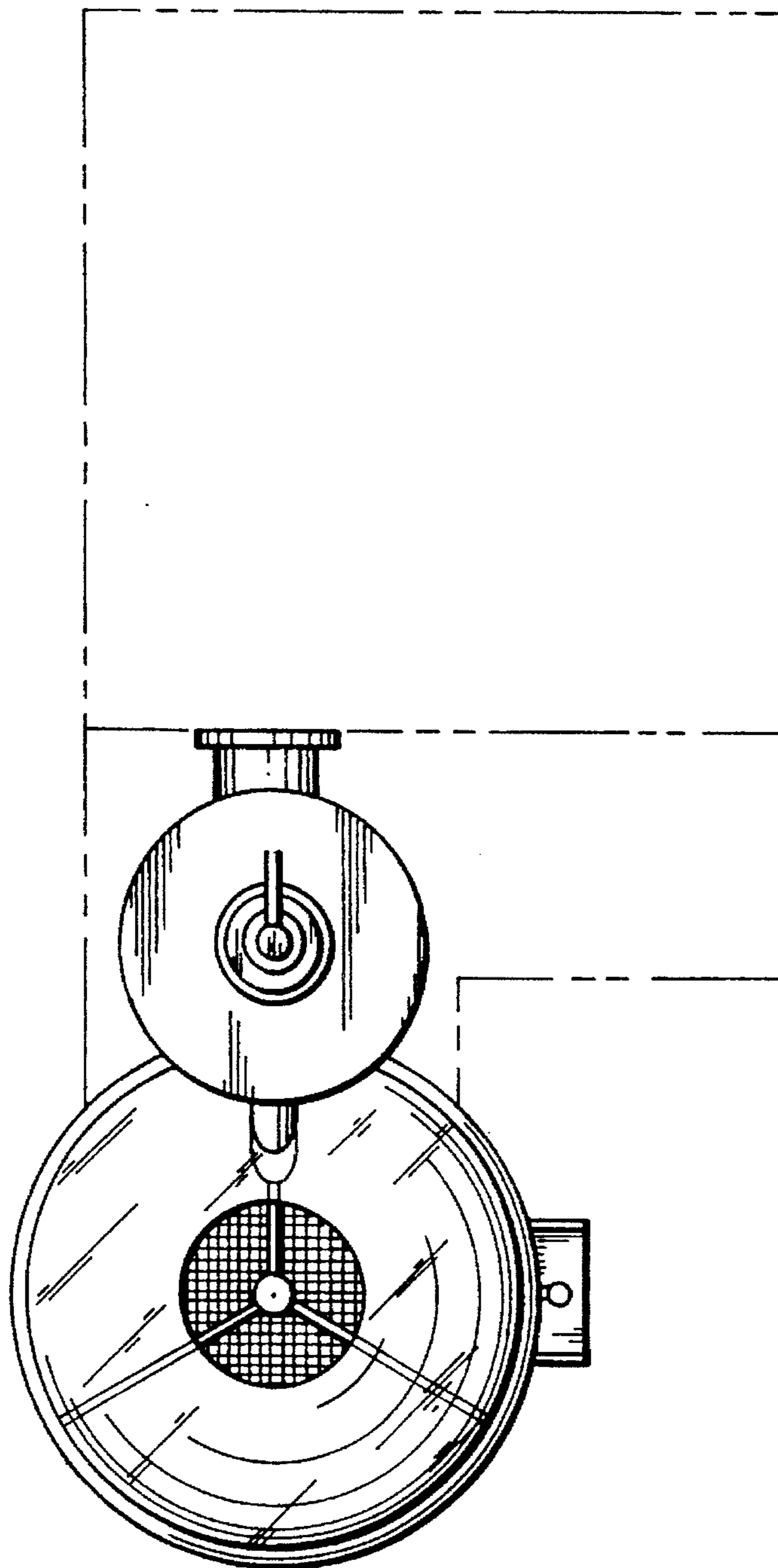


FIG. 6

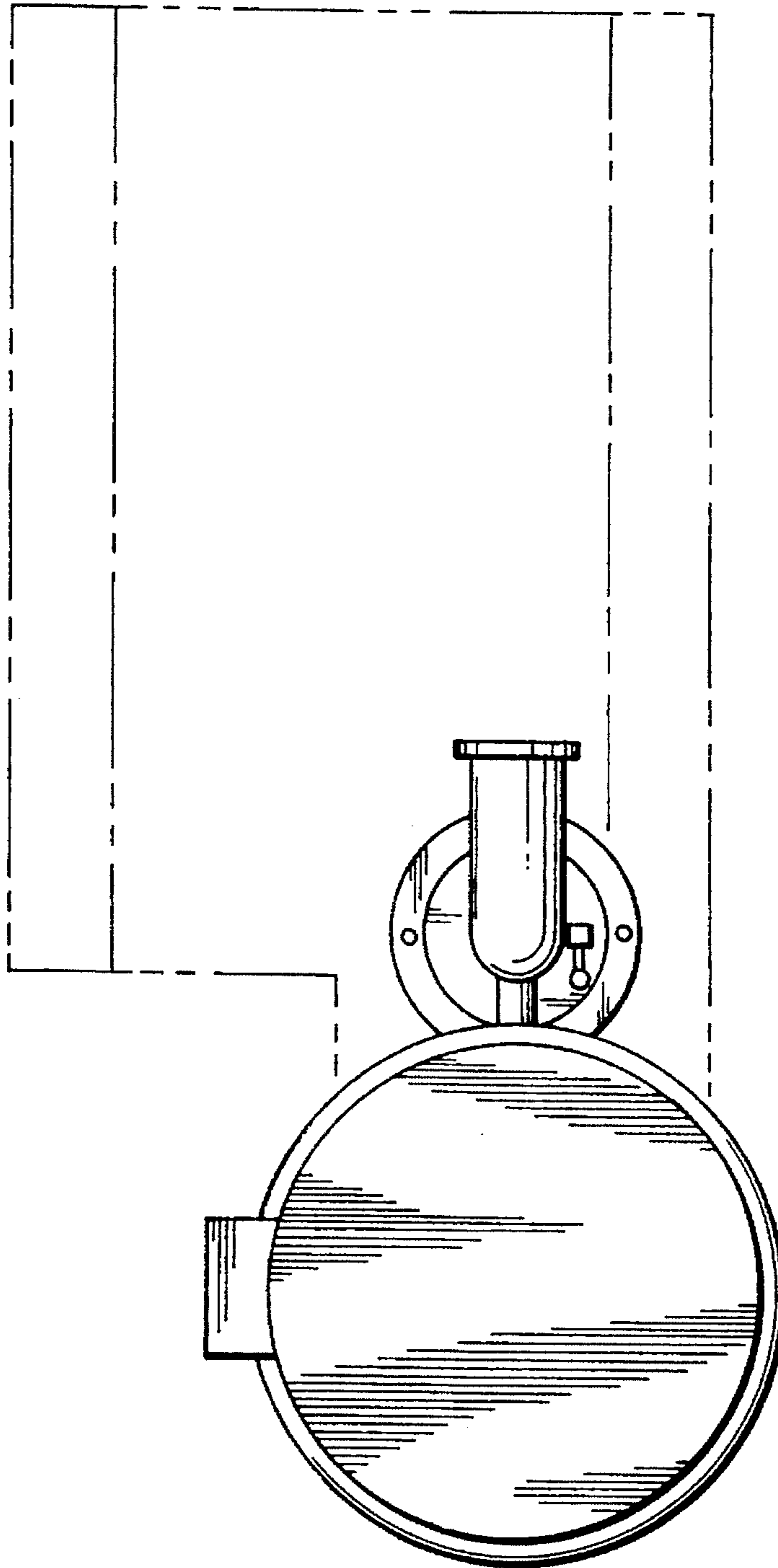


FIG. 7

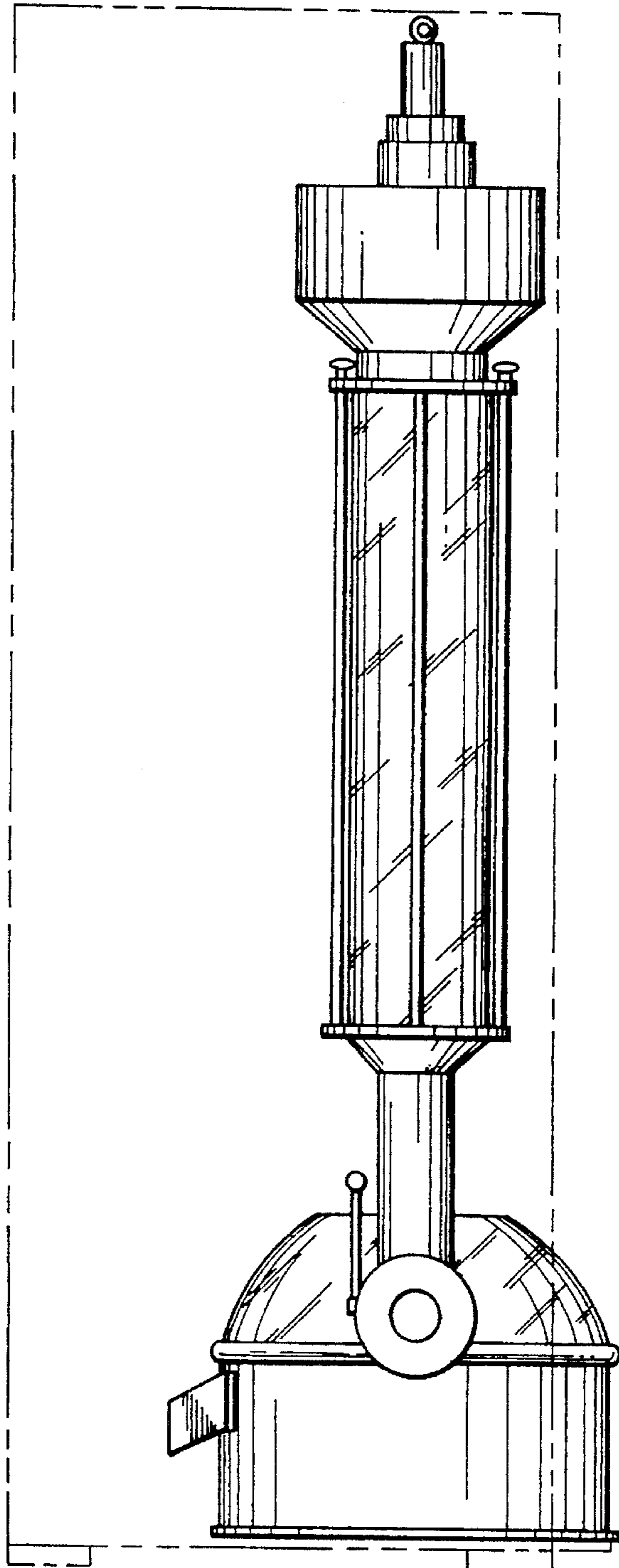




FIG. 8

