



US00D366807S

United States Patent [19]

Fleck et al.

[11] Patent Number: **Des. 366,807**

[45] Date of Patent: ****Feb. 6, 1996**

[54] **BACON COOKER**

[76] Inventors: **Jonathan E. Fleck; Abigale M. Fleck,**
both of 425 Hall Ave., St. Paul, Minn.
55110

[**] Term: **14 Years**

[21] Appl. No.: **14,674**

[22] Filed: **Oct. 27, 1993**

[52] U.S. Cl. **D7/361**

[58] Field of Search D7/354, 360, 361,
D7/323; 99/419, 444, 425

[56] **References Cited**

U.S. PATENT DOCUMENTS

2,826,982	3/1958	Smith	99/419
3,713,379	1/1973	Gordy	99/425 X
4,343,978	8/1982	Kubiatowicz	99/444 X
4,924,049	5/1990	Dexter, Jr.	99/444 X

Primary Examiner—Alan P. Douglas
Assistant Examiner—Caron D. Veynar
Attorney, Agent, or Firm—O'Connor & O'Connor

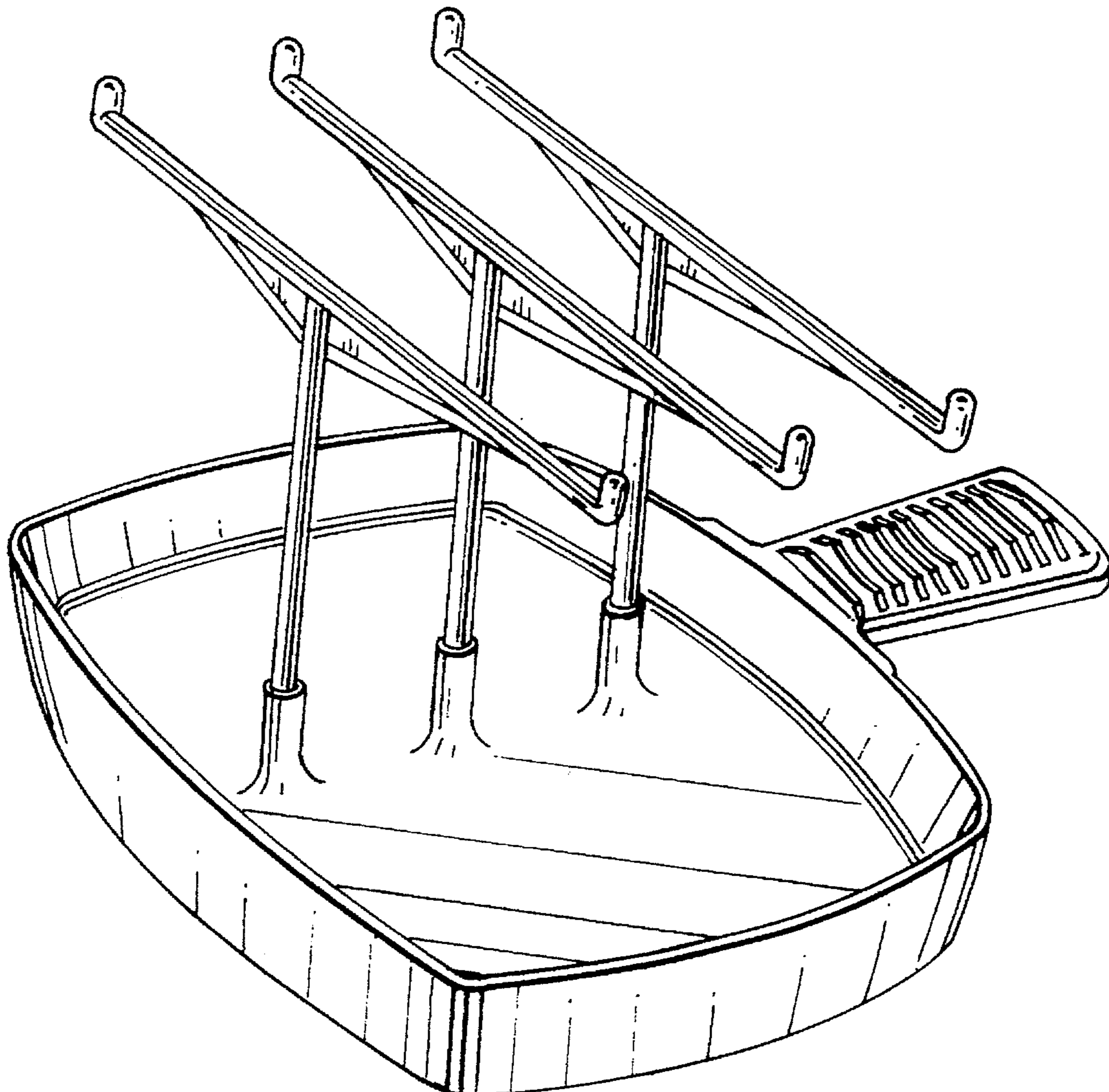
[57] **CLAIM**

The ornamental design for a bacon cooker, as shown and described.

DESCRIPTION

FIG. 1 is a perspective view of a bacon cooker showing our new design;
FIG. 2 is a top plan view of the invention shown in FIG. 1;
FIG. 3 is a front elevation view;
FIG. 4 is a side elevation view, the opposite side elevation view being a mirror image;
FIG. 5 is a bottom plan view; and,
FIG. 6 is a back elevation view.

1 Claim, 2 Drawing Sheets



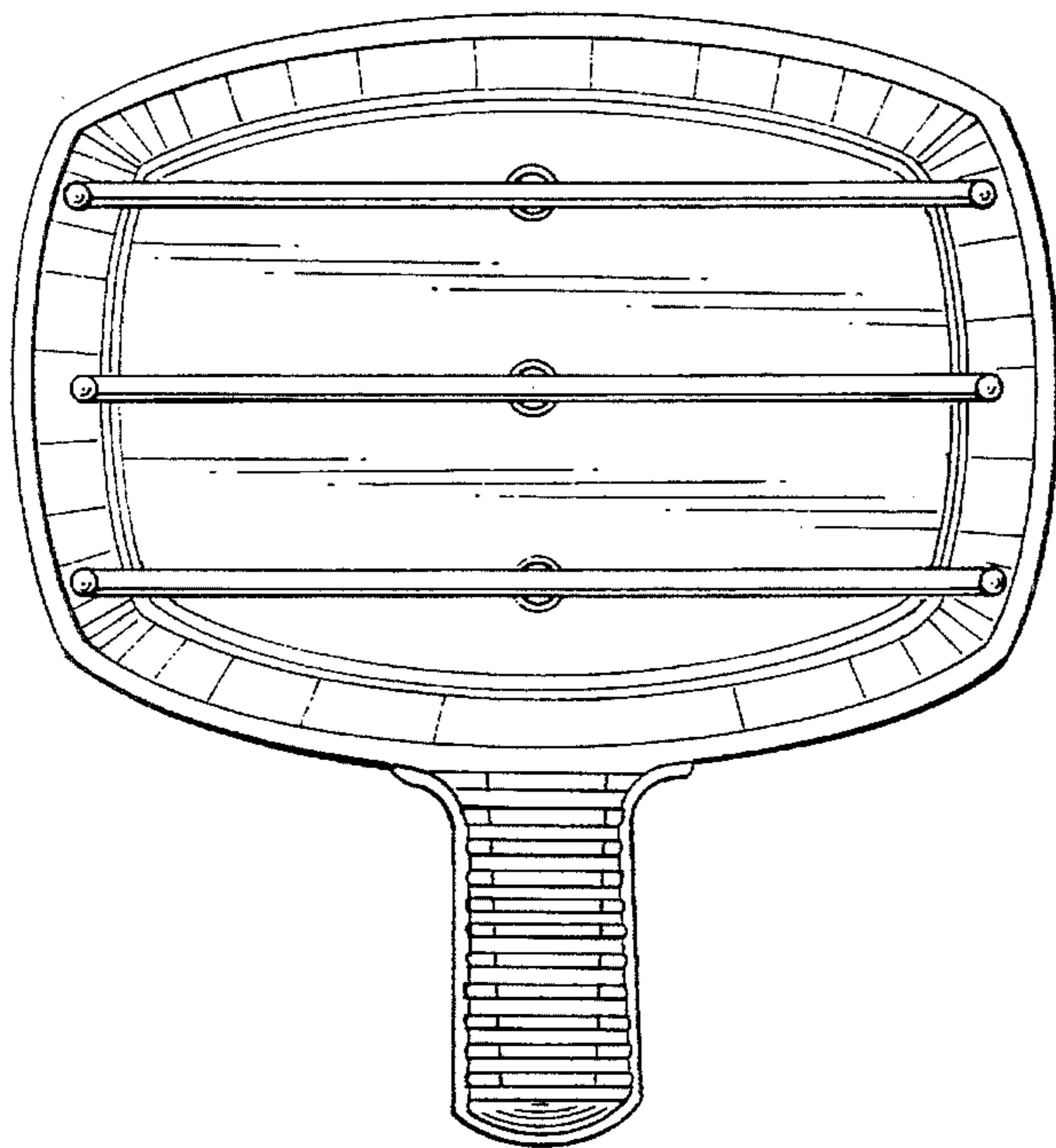
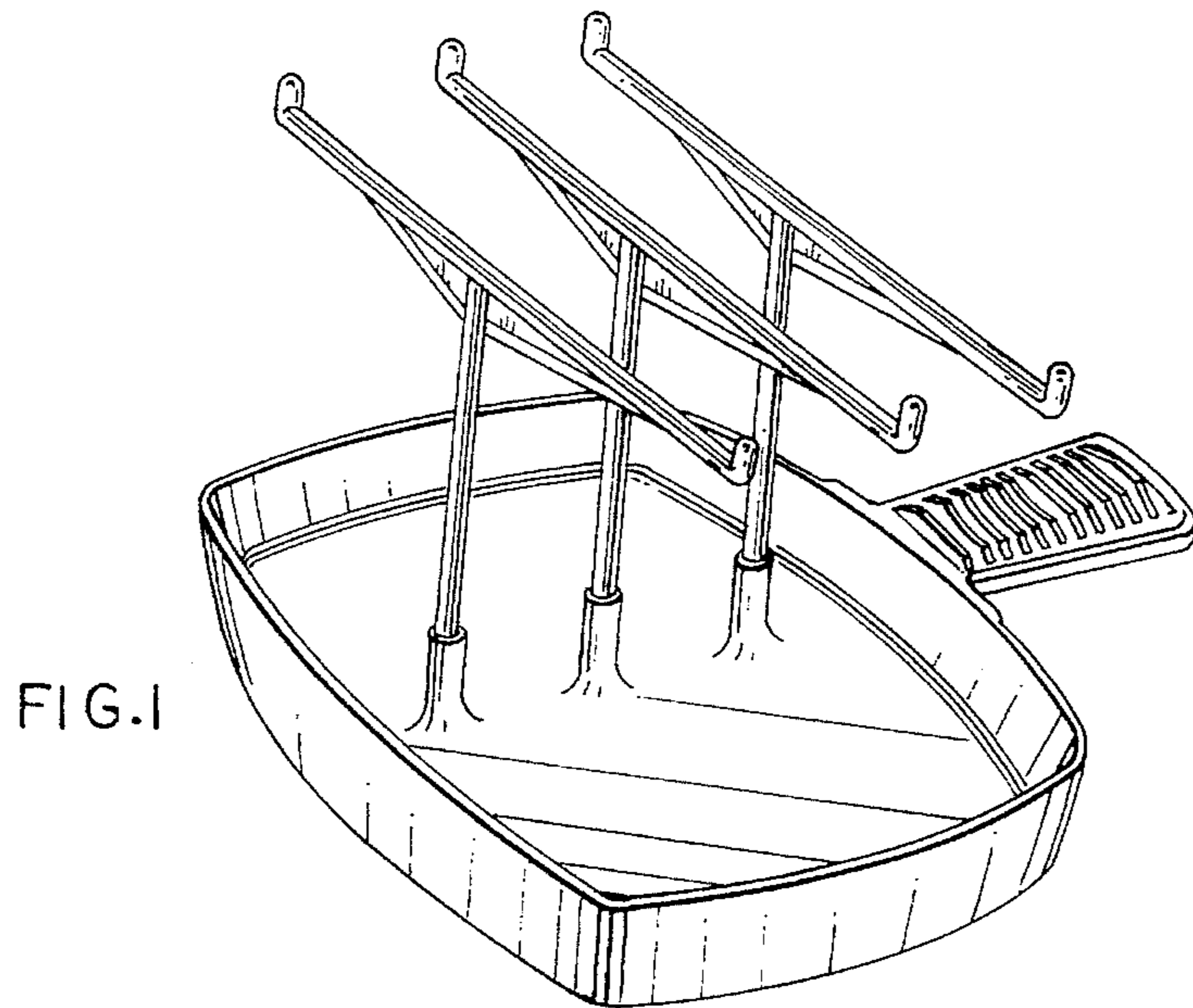
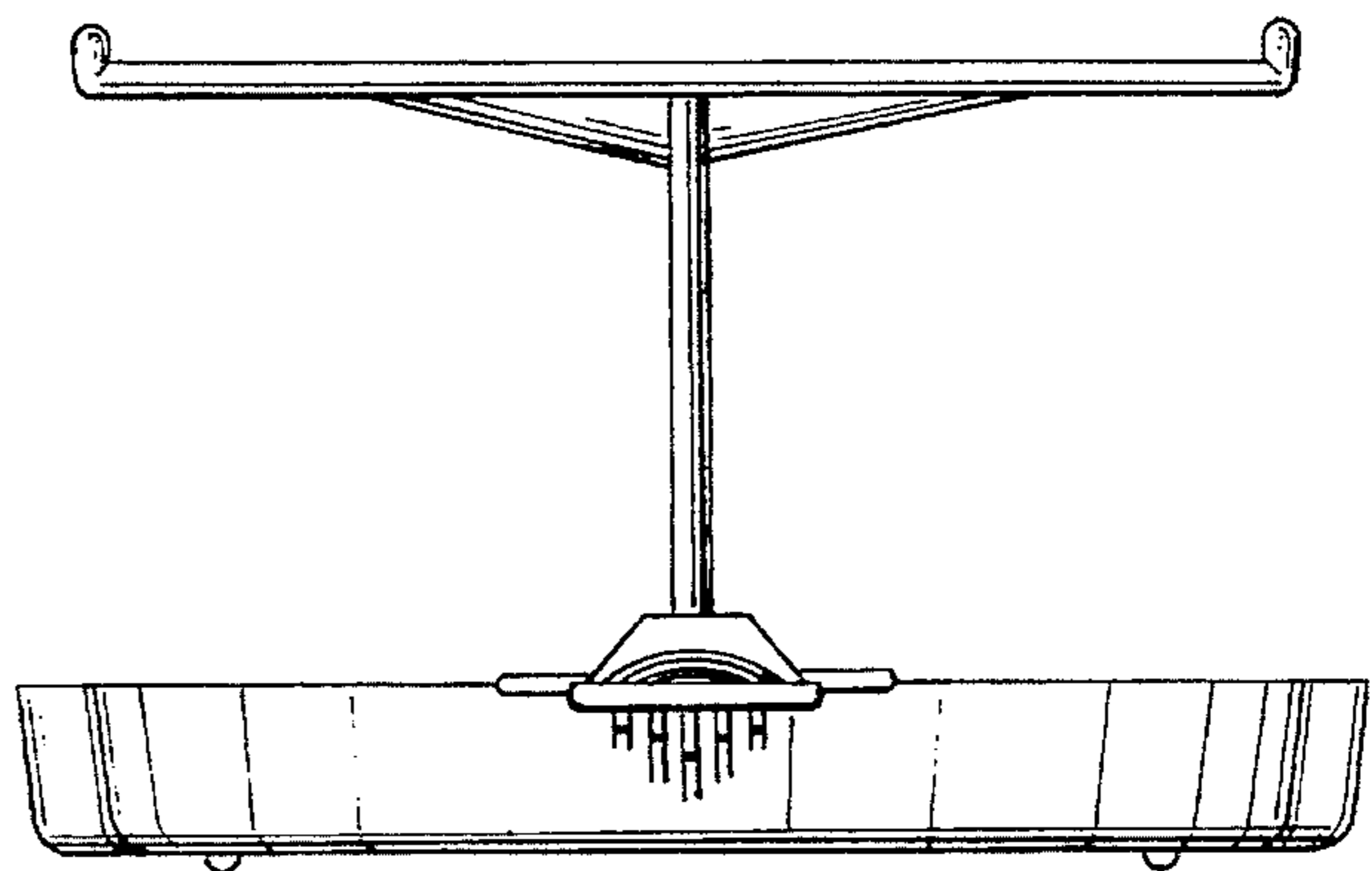


FIG. 2

FIG. 3



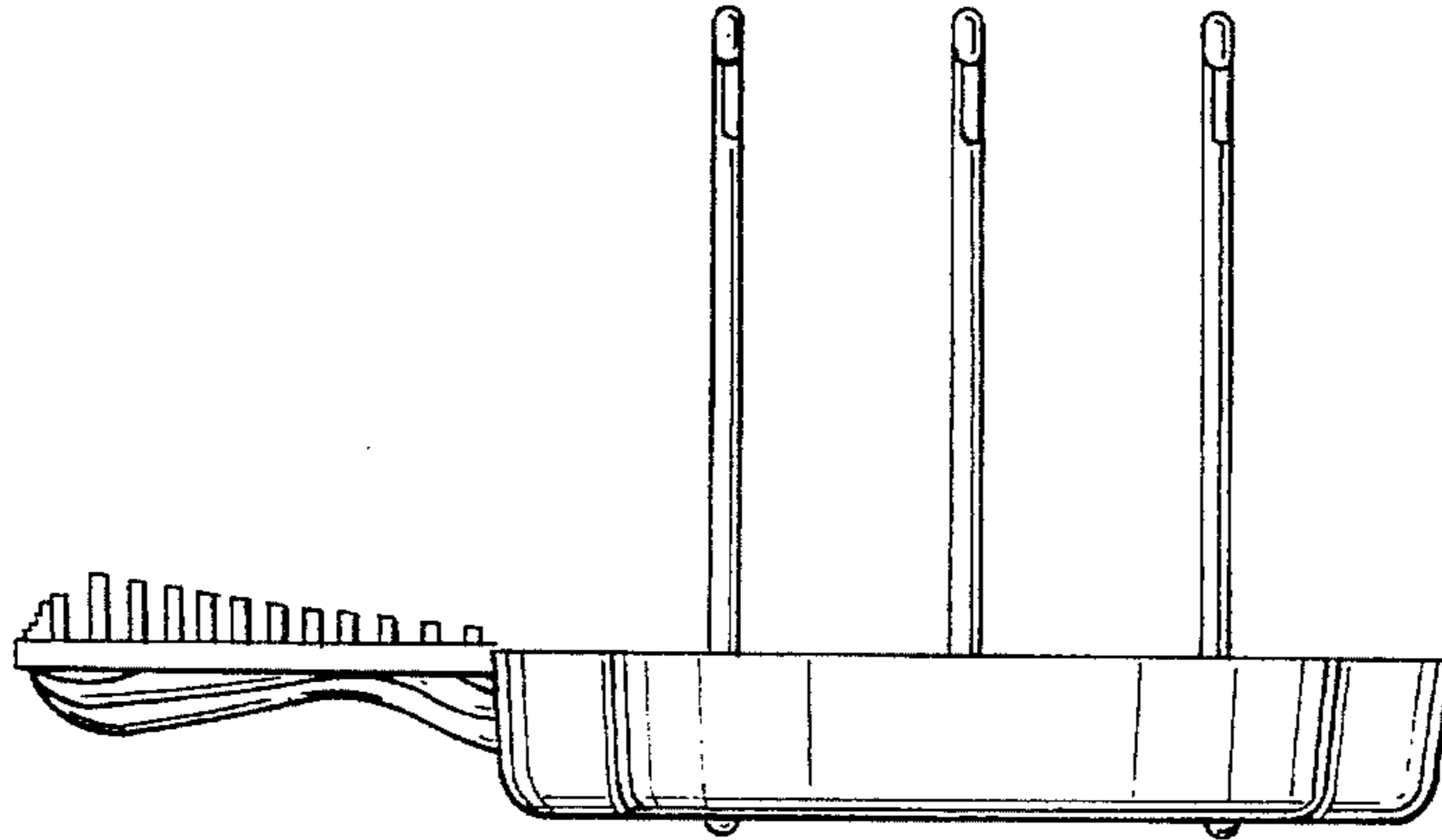


FIG. 4

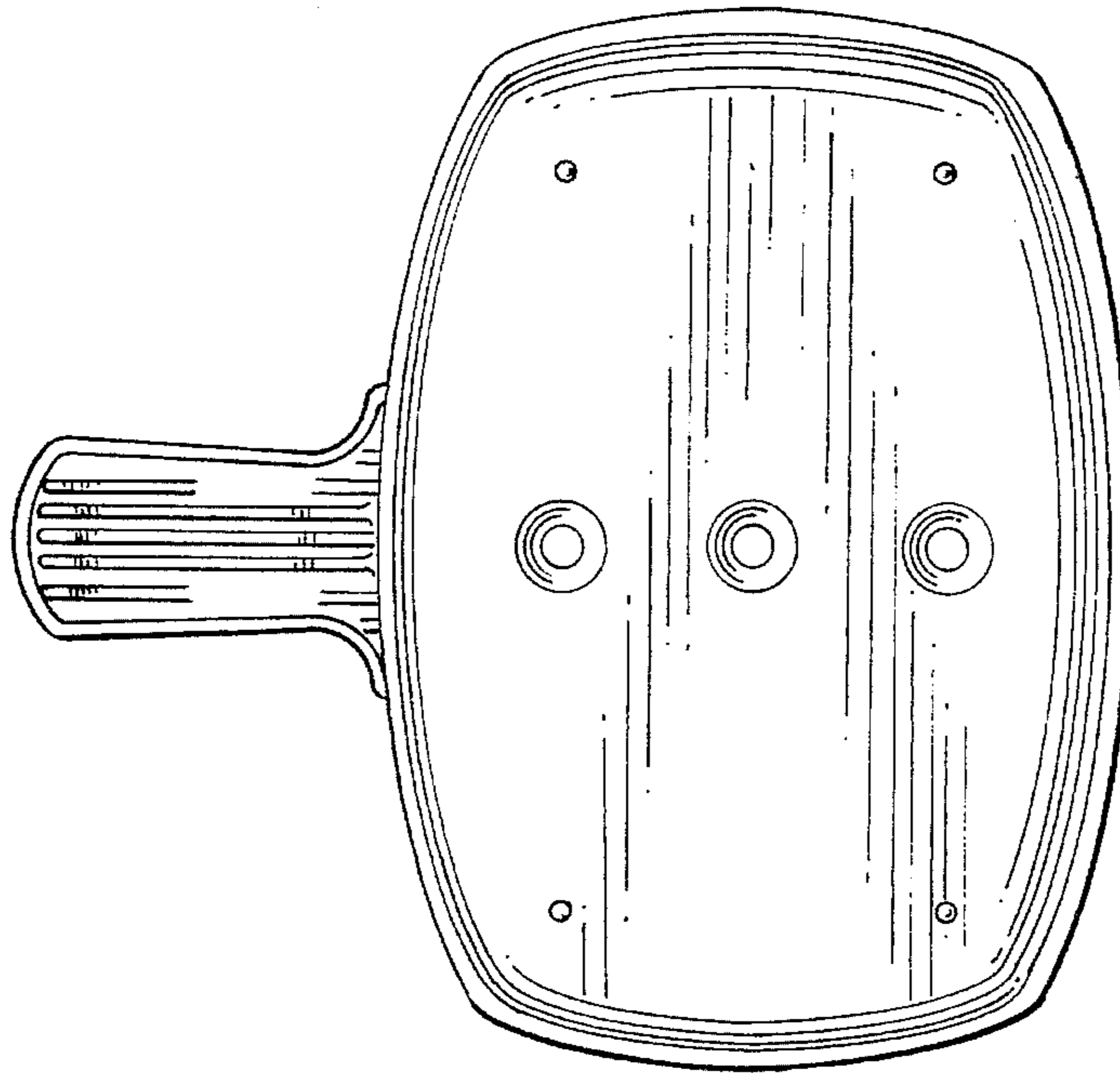


FIG. 5

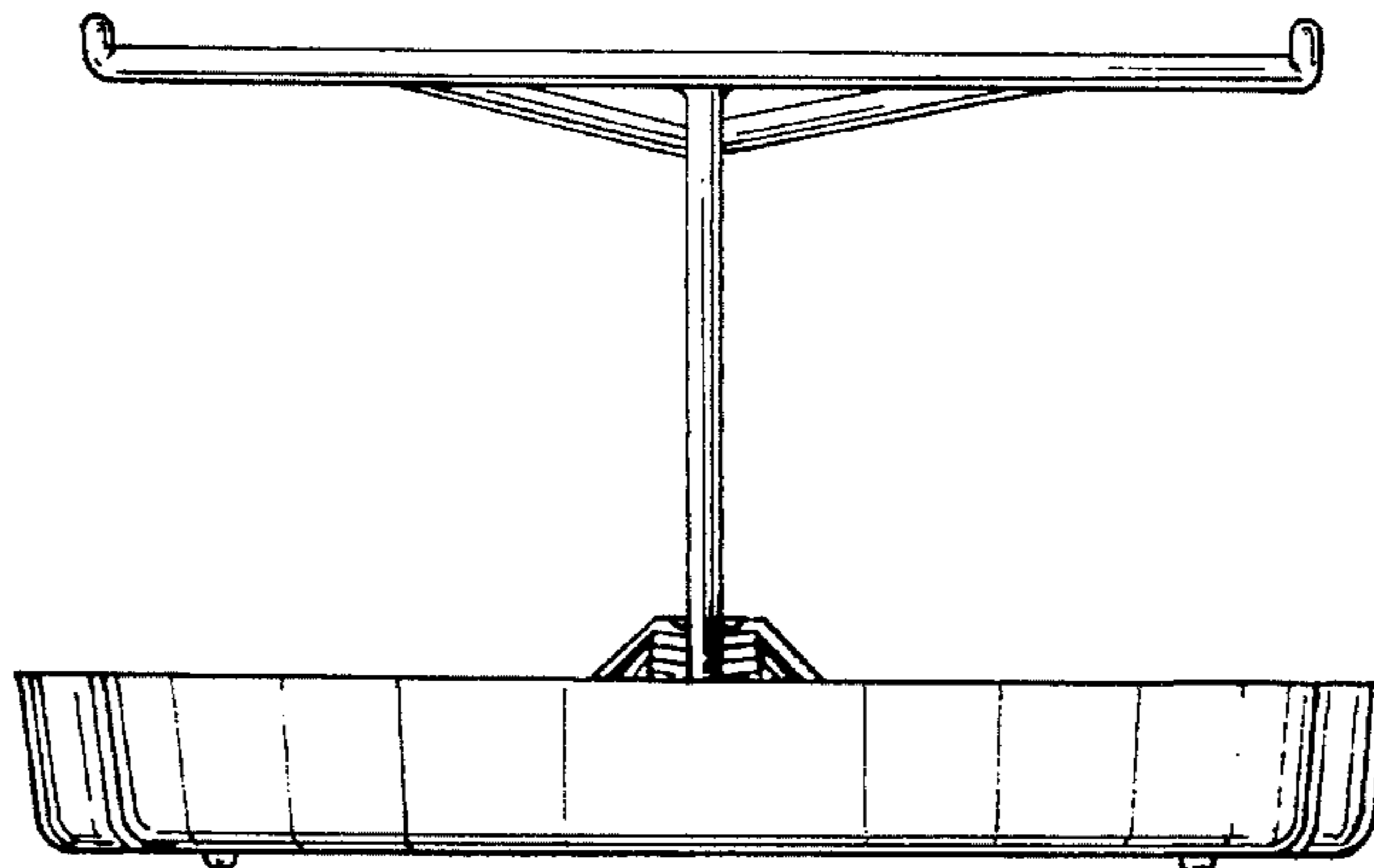


FIG. 6