



US00D366804S

United States Patent [19]
Kitten

[11] **Patent Number:** **Des. 366,804**
[45] **Date of Patent:** ****Feb. 6, 1996**

[54] **BAR-B-QUE PIT**

Attorney, Agent, or Firm—Wendell Coffee

[76] Inventor: **Jerry J. Kitten**, Rte. 2, Box 6, Slaton,
Tex. 79364-9501

[57] **CLAIM**

The ornamental design for a bar-b-que pit, as shown.

[**] Term: **14 Years**

DESCRIPTION

[21] Appl. No.: **38,801**

FIG. 1 is a perspective view taken from the front left of the bar-b-que pit of the present invention;

[22] Filed: **May 12, 1995**

FIG. 2 is a side view in elevation of the bar-b-que pit of FIG. 1 as seen from the left hand side of FIG. 1;

[52] U.S. Cl. **D7/334; D7/345; D21/129**

FIG. 3 is a top plan view of the bar-b-que pit of FIG. 1;

[58] **Field of Search** D7/334, 332, 343,
D7/347, 353, 355, 361, 342, 345; D21/129;
D12/36, 38; 126/25 R, 25 A, 25 AA

FIG. 4 is a right side view in elevation of the bar-b-que pit of FIG. 1 as seen from the right hand side of FIG. 1;

[56] **References Cited**

FIG. 5 is a bottom plan view of the bar-b-que pit of FIG. 1;

U.S. PATENT DOCUMENTS

FIG. 6 is a rear view in elevation of the bar-b-que pit of FIG. 1; and,

- D. 204,579 5/1966 Weatherly D7/334
- D. 285,279 8/1988 Arevalo et al. D7/334

FIG. 7 is a front view in elevation of the bar-b-que pit of FIG. 1.

Primary Examiner—Louis S. Zarfes
Assistant Examiner—Gregory Andoll

1 Claim, 2 Drawing Sheets

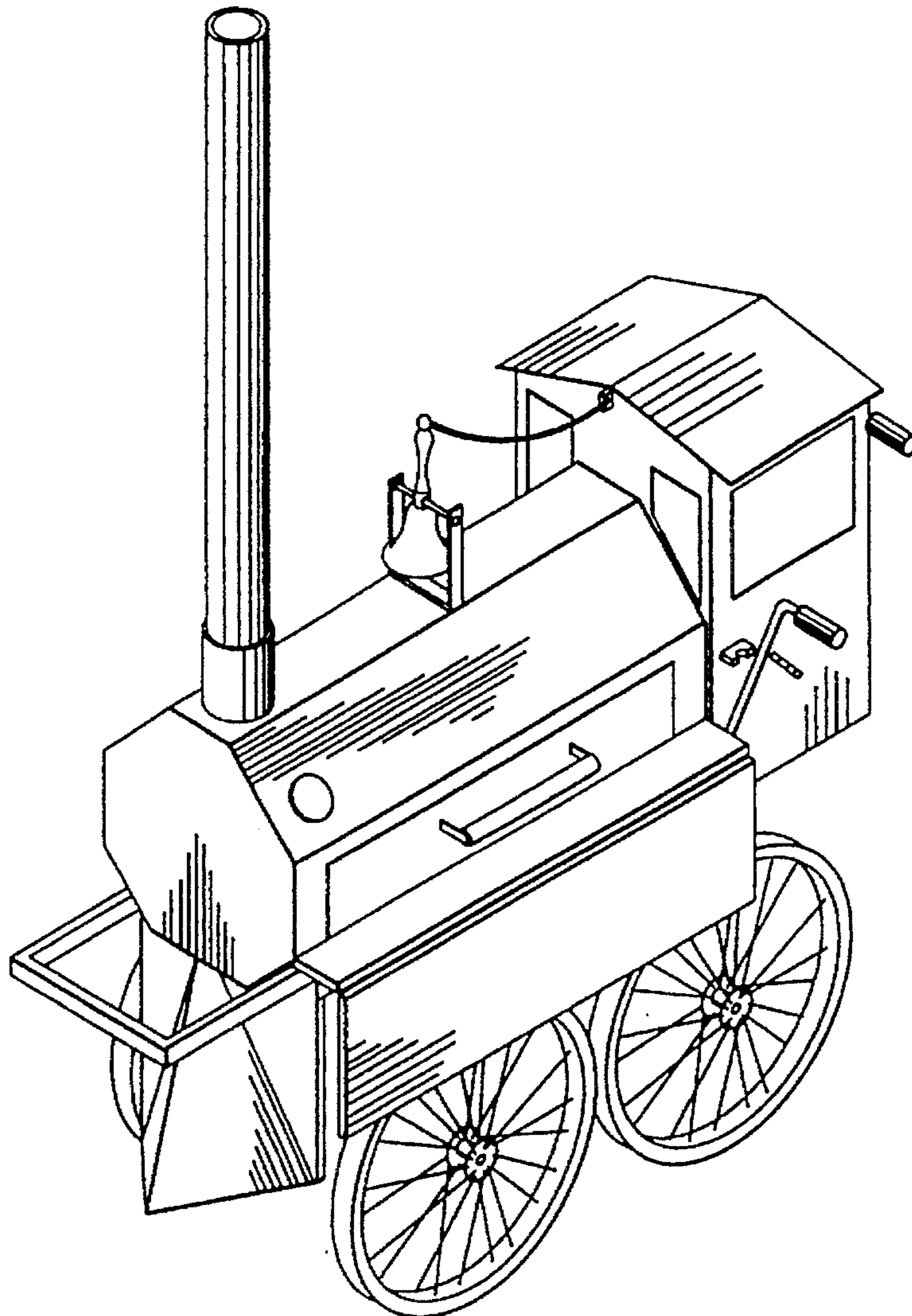


FIG 1

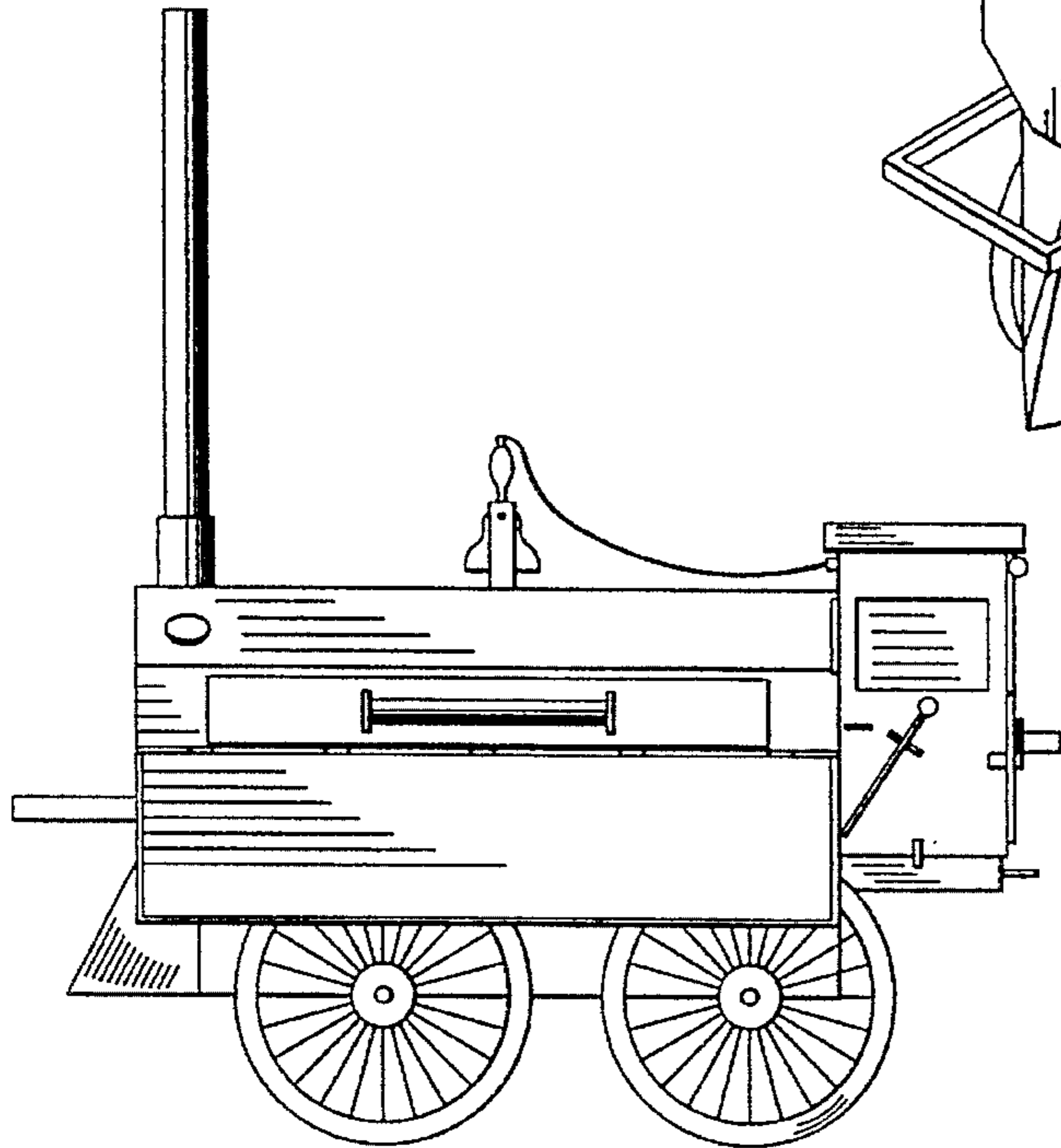
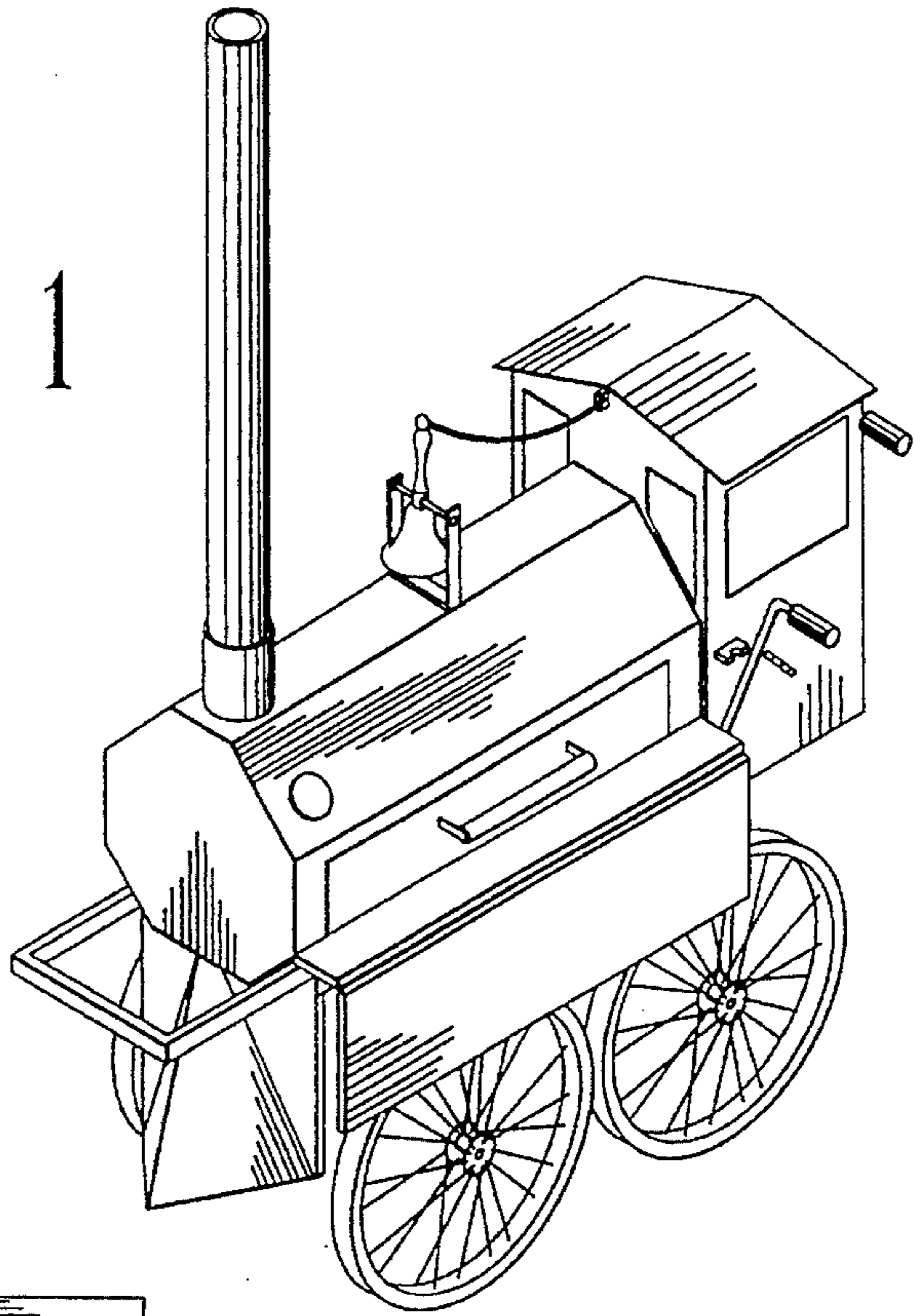
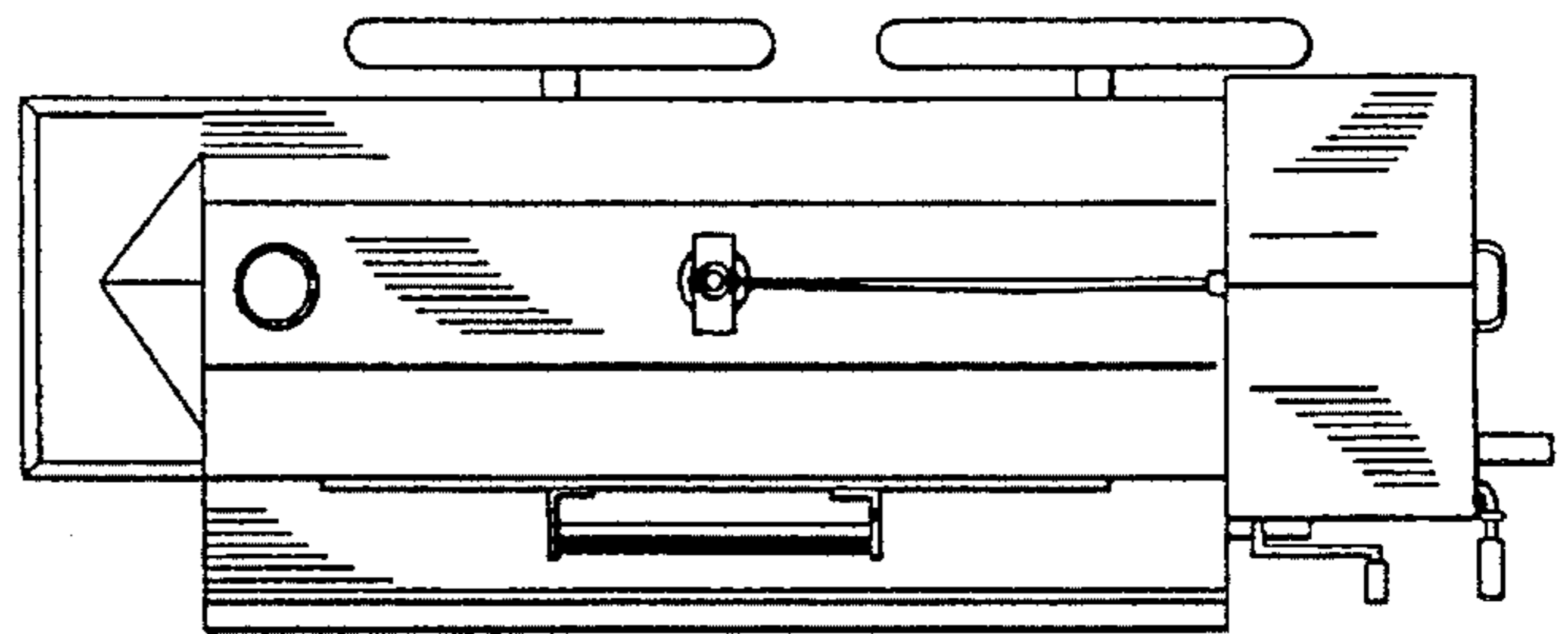


FIG 2

FIG 3



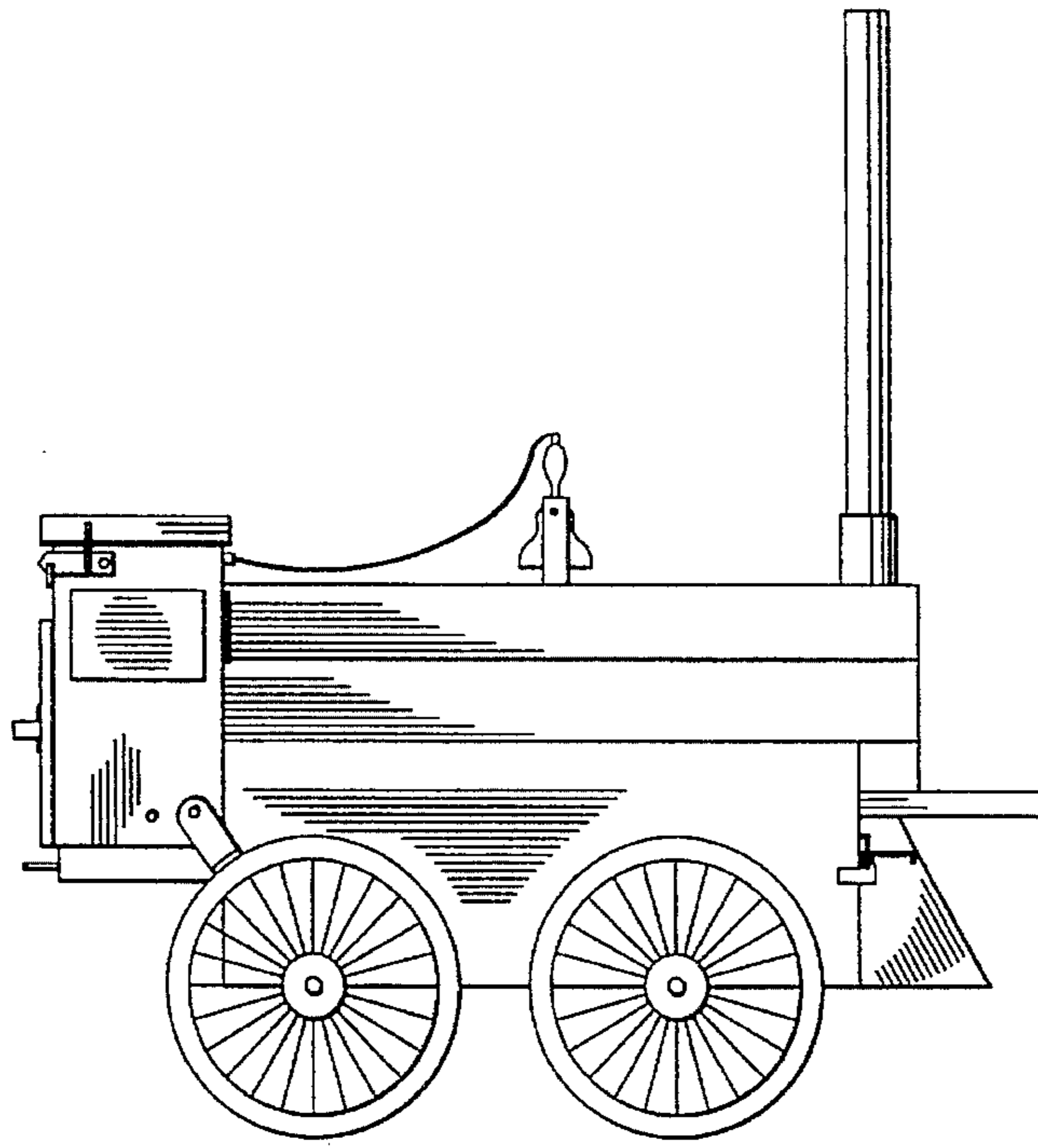


FIG 4

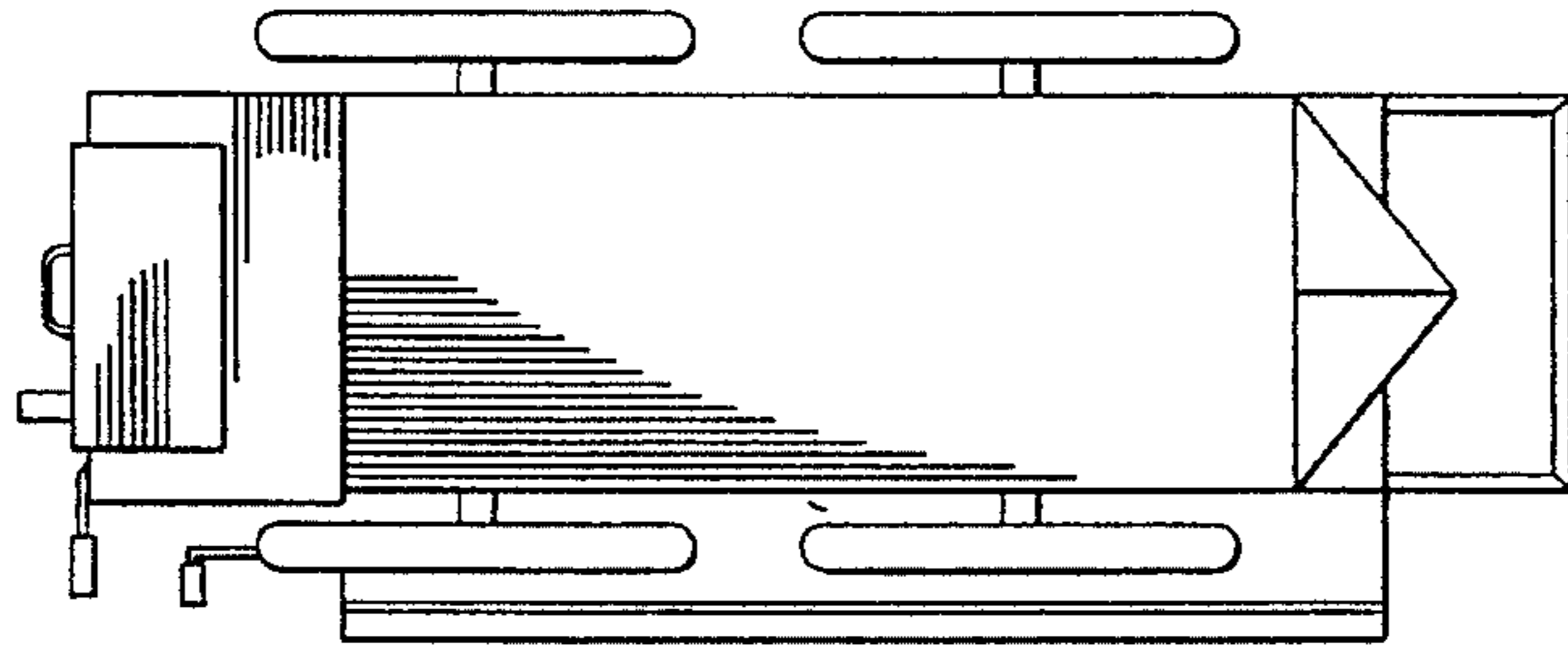


FIG 5

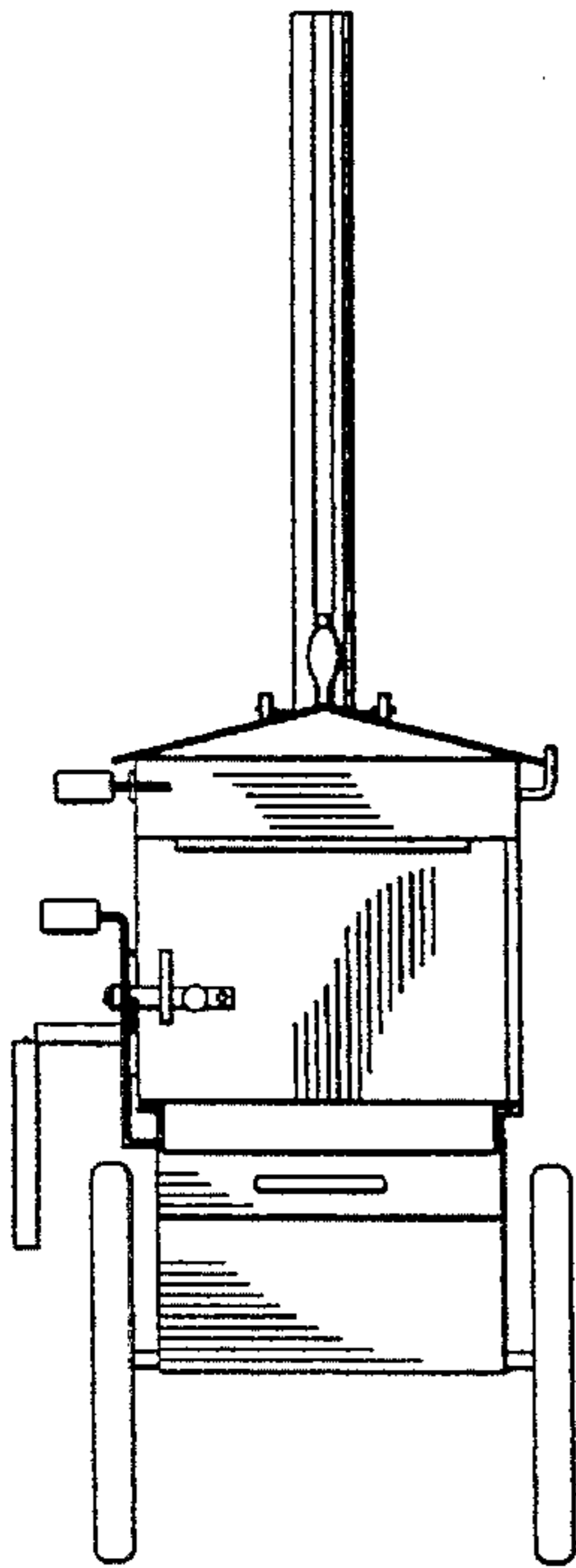


FIG 6

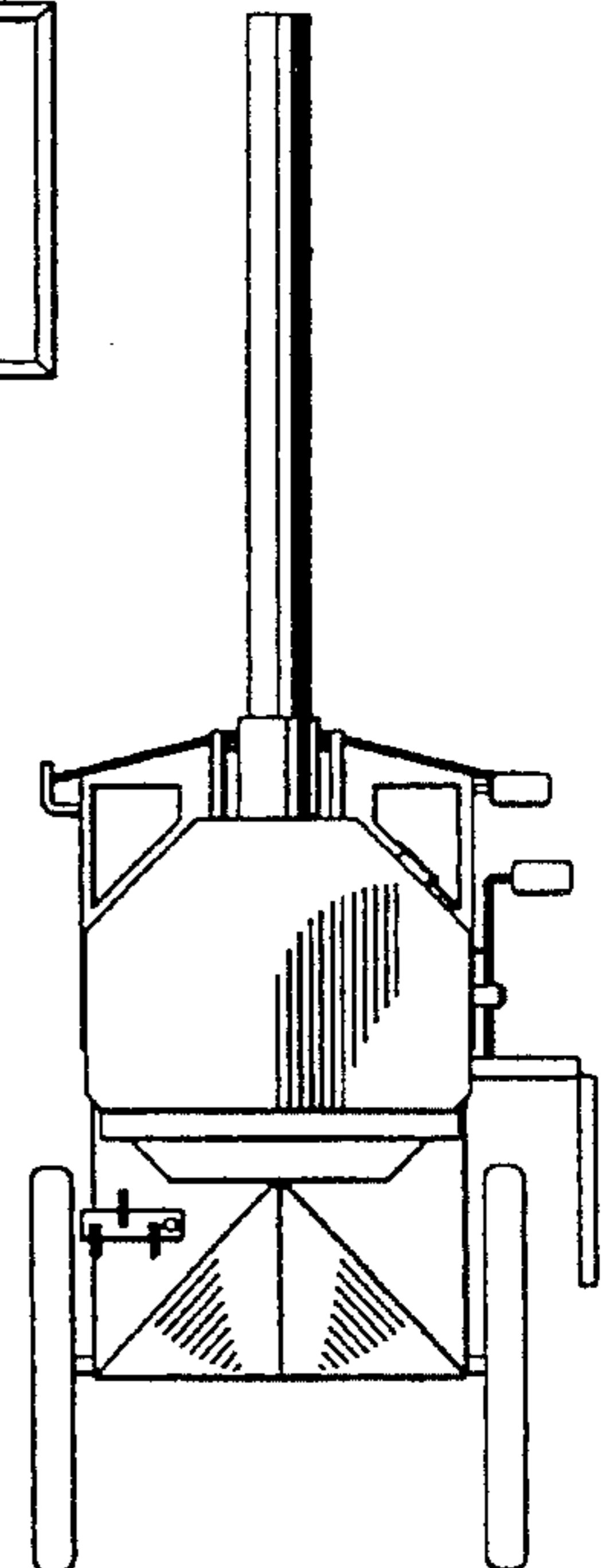


FIG 7