



US00D366799S

United States Patent [19]
Curtin

[11] **Patent Number: Des. 366,799**
[45] **Date of Patent: **Feb. 6, 1996**

[54] **WINDOW SHELF**

4,475,306 10/1984 Mehrens 248/236 X
4,869,451 9/1989 Gordon 248/236

[76] Inventor: **Robert J. Curtin**, 42 Old Carriage Rd.,
Portland, Conn. 06480

Primary Examiner—Brian N. Vinson
Attorney, Agent, or Firm—Harpman & Harpman

[**] Term: **14 Years**

[57] **CLAIM**

[21] Appl. No.: **35,447**

The ornamental design for a window shelf, as shown and described.

[22] Filed: **Feb. 27, 1995**

[52] U.S. Cl. **D6/574**

[58] **Field of Search** D6/553, 567, 574;
D8/373; 211/126, 134, 86-90; 248/309.1,
311.2

DESCRIPTION

FIG. 1 is a front, top and side perspective view of the window shelf embodying the design of the present invention;

FIG. 2 is a side elevational view thereof, the side opposite being a mirror image of the side shown in FIG. 2;

FIG. 3 is a rear elevational view thereof;

FIG. 4 is a front elevational view thereof;

FIG. 5 is a top plan view thereof; and,

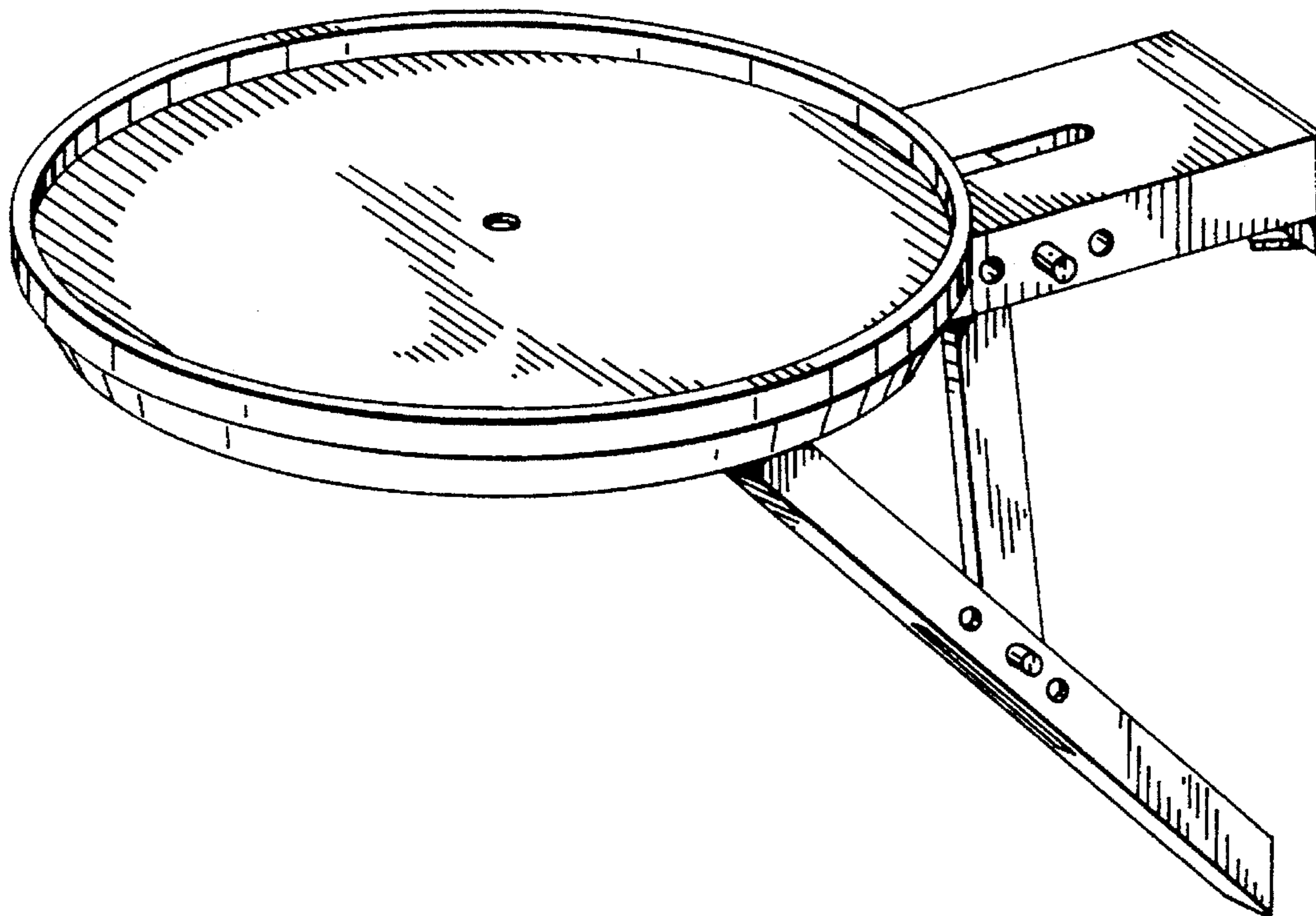
FIG. 6 is a bottom plan view thereof.

[56] **References Cited**

U.S. PATENT DOCUMENTS

- D. 243,219 2/1977 Jeffries D6/574
- D. 305,670 1/1990 Deusinger D6/574 X
- D. 315,844 4/1991 Enthoven D6/574
- D. 344,651 3/1994 Reese D6/574
- D. 359,643 6/1995 Langmade D6/574

1 Claim, 2 Drawing Sheets



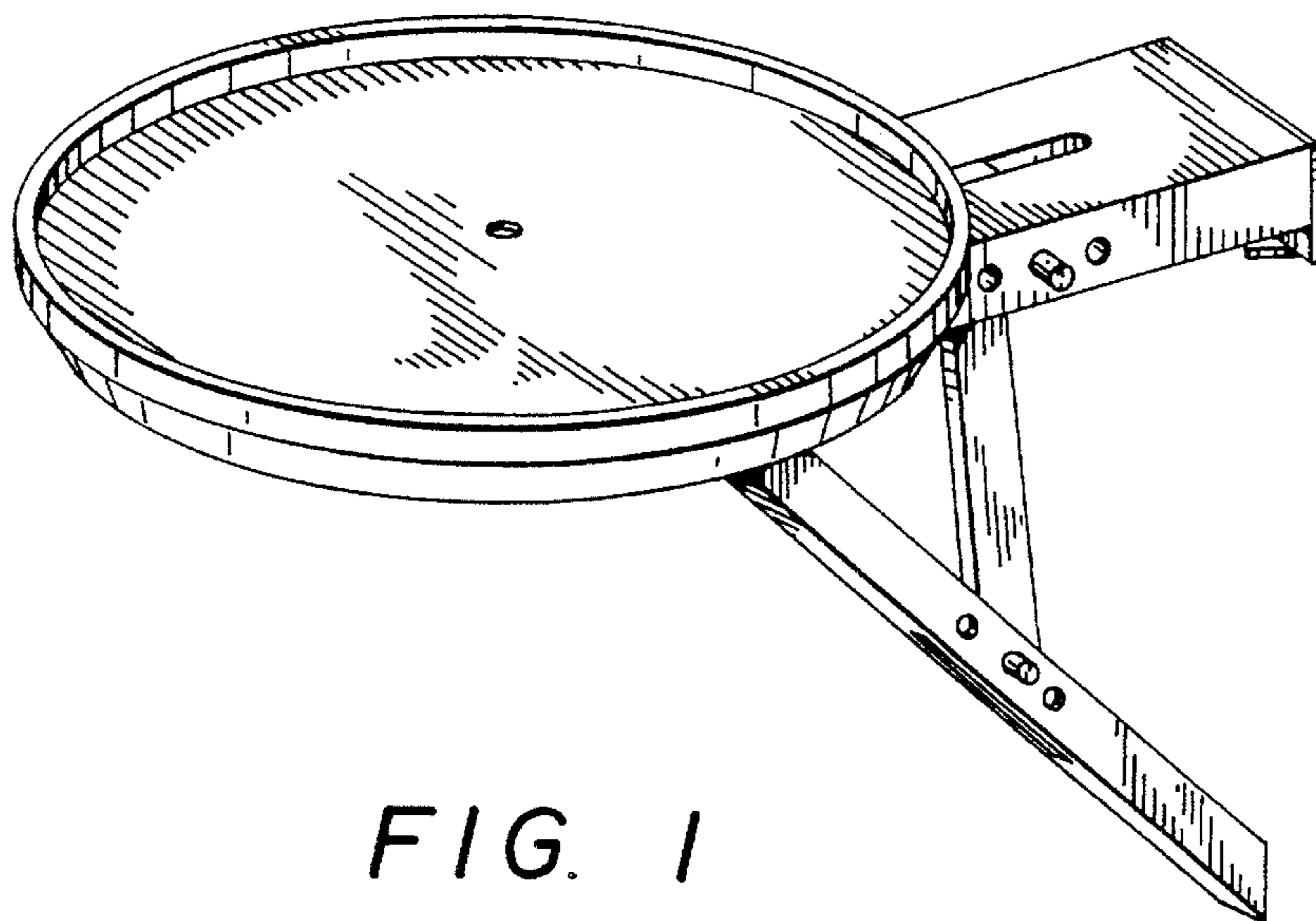


FIG. 1

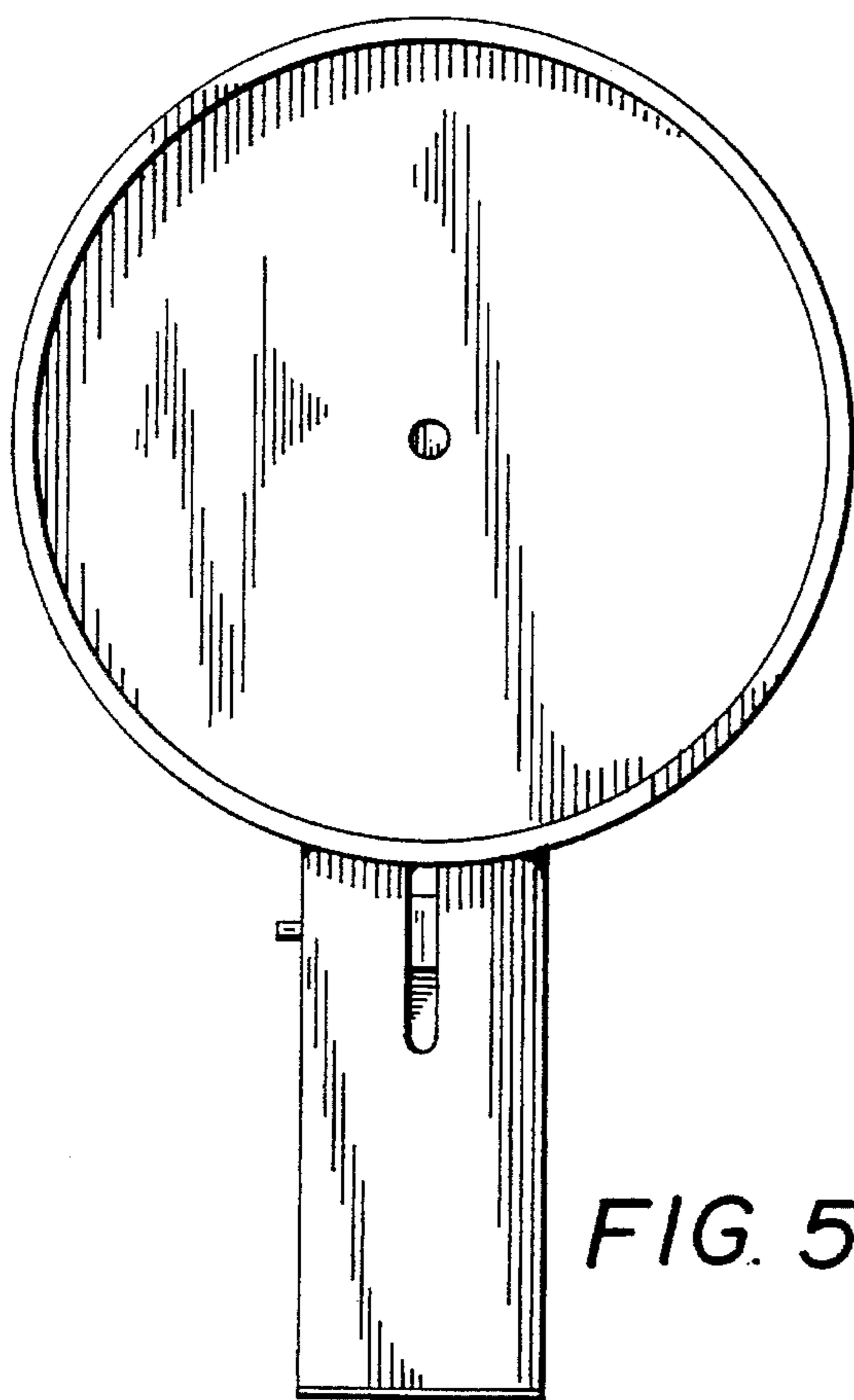


FIG. 5

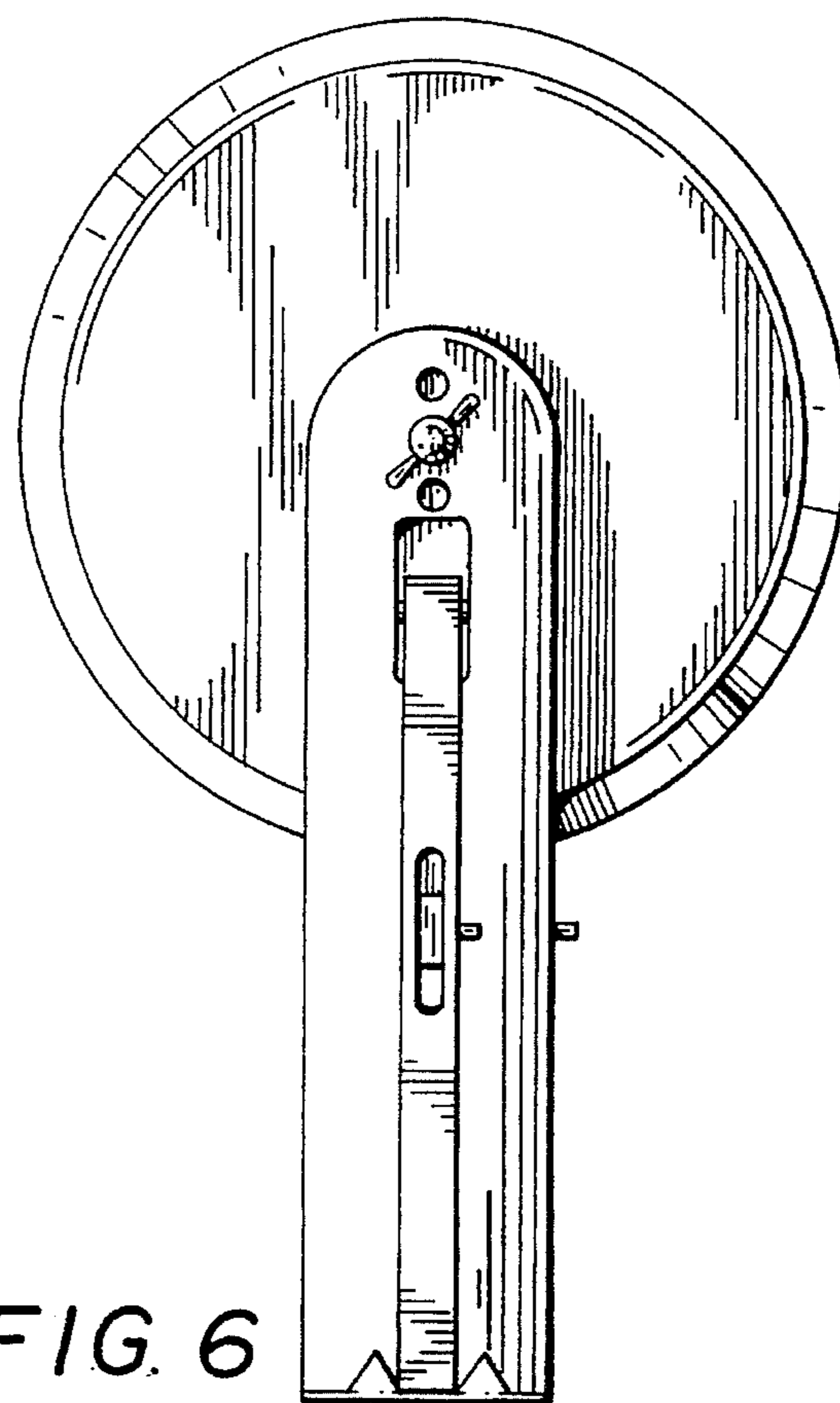


FIG. 6

