



US00D366797S

# United States Patent [19]

Dallimore

[11] Patent Number: **Des. 366,797**

[45] Date of Patent: **\*\*Feb. 6, 1996**

[54] CORNER SHELF

[76] Inventor: **Chris J. Dallimore**, 5084 S. 10th East, Salt Lake City, Utah 84117

[\*\*] Term: **14 Years**

[21] Appl. No.: **37,664**

[22] Filed: **Apr. 18, 1995**

### Related U.S. Application Data

[63] Continuation-in-part of Ser. No. 7,570, Apr. 27, 1993.

[52] U.S. Cl. .... **D6/562**

[58] Field of Search ..... D6/562, 556; D11/143, D11/152

### [56] References Cited

#### U.S. PATENT DOCUMENTS

D. 85,425	10/1931	Wolfsheim	.....	D9/418
D. 90,041	5/1933	Wright	.	
D. 158,893	6/1950	O'Brien	.....	D48/25
D. 223,837	6/1972	Martin	.....	D6/449 X
D. 243,352	2/1977	Gray, Sr.	.....	D30/9
D. 266,463	10/1982	Scott	.....	D6/156
D. 267,163	12/1982	Murray	.....	D11/145
D. 296,089	6/1988	Pouliot	.....	D11/156

2,152,869	4/1939	Campbell	.....	47/38
2,711,053	6/1955	Dettmers, Sr.	.....	47/19
3,613,292	10/1971	Schilling, Jr.	.....	D30/108 X
4,420,902	12/1983	Rayner	.....	47/66

Primary Examiner—Alan P. Douglas  
Assistant Examiner—Cathron B. Matta  
Attorney, Agent, or Firm—Mallinckrodt & Mallinckrodt

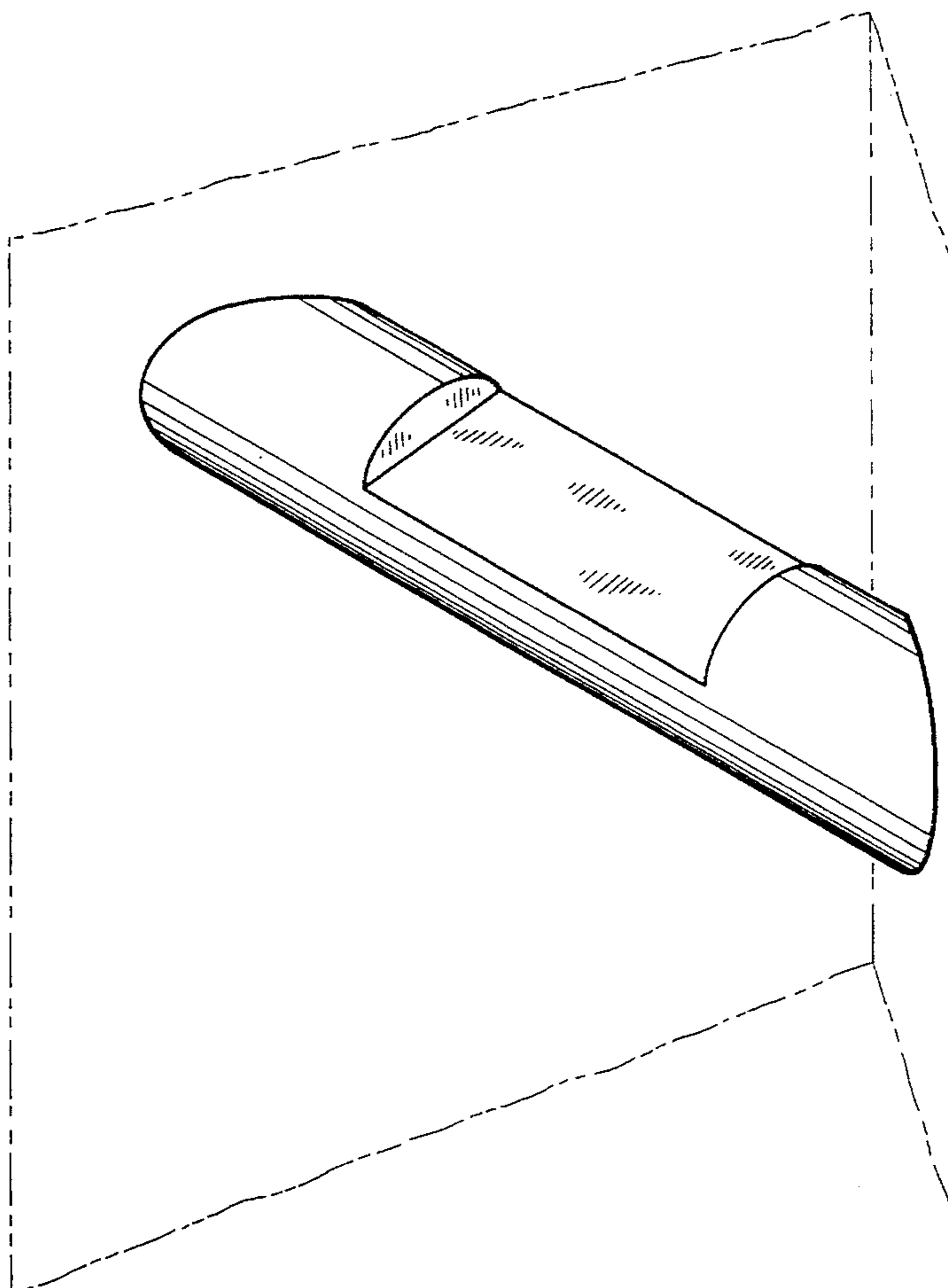
### [57] CLAIM

The ornamental design for a corner shelf, as shown and described.

### DESCRIPTION

FIG. 1 is a rear perspective view of a corner shelf showing my new design;  
FIG. 2 is a front elevational view thereof;  
FIG. 3 is a bottom plan view thereof;  
FIG. 4 is a rear elevational view thereof;  
FIG. 5 is an end elevation thereof, both ends appearing the same;  
FIG. 6 is a top plan view thereof; and,  
FIG. 7 is a front perspective view thereof.  
The broken line showing of portions of the wall is for illustrative purposes only and forms no part of the claimed design.

**1 Claim, 2 Drawing Sheets**



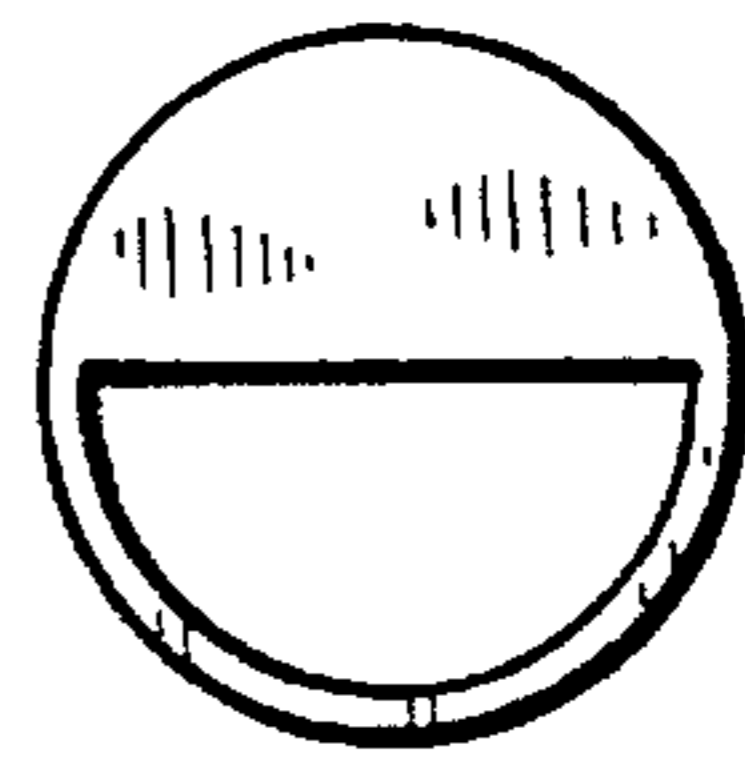
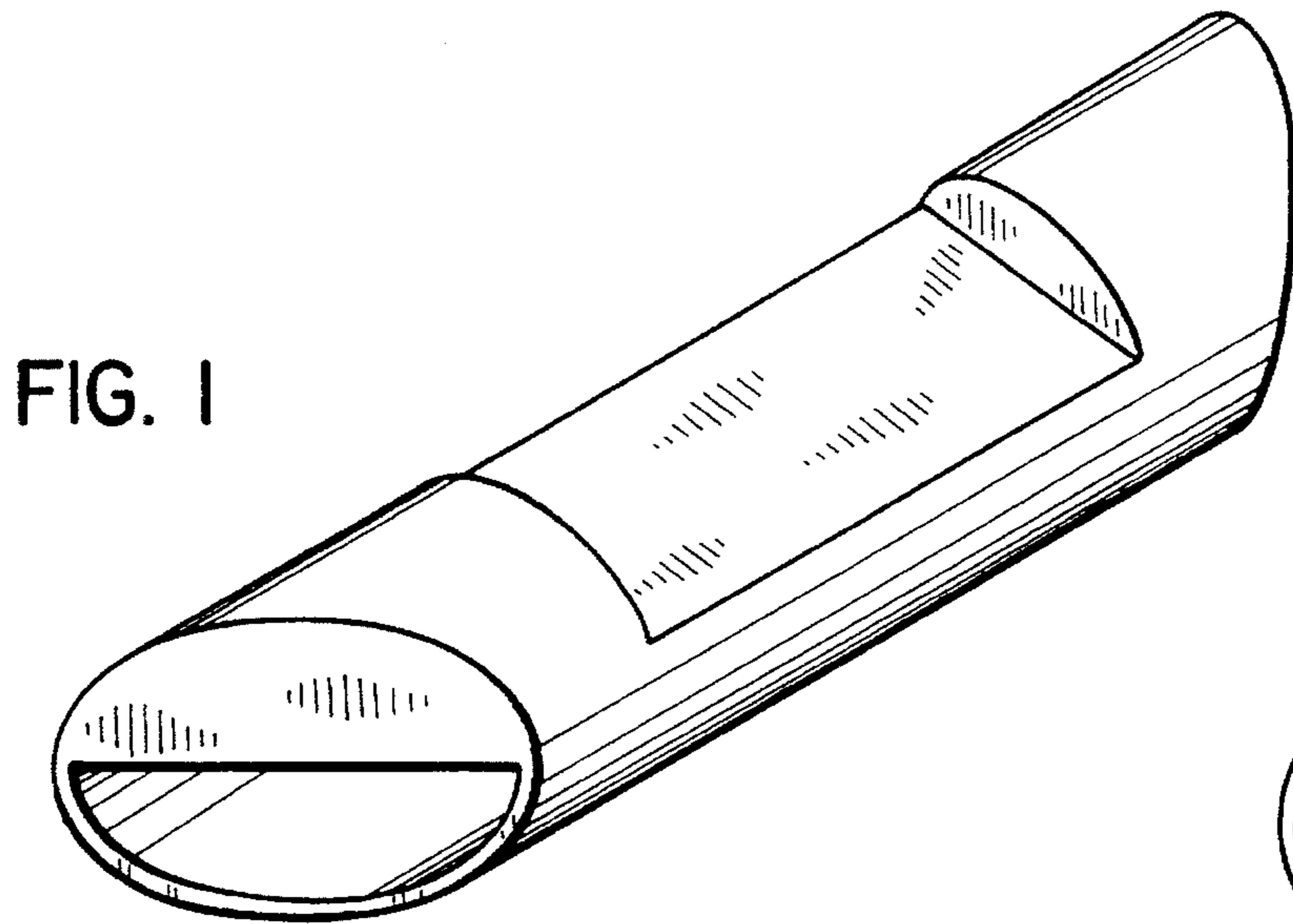


FIG. 5

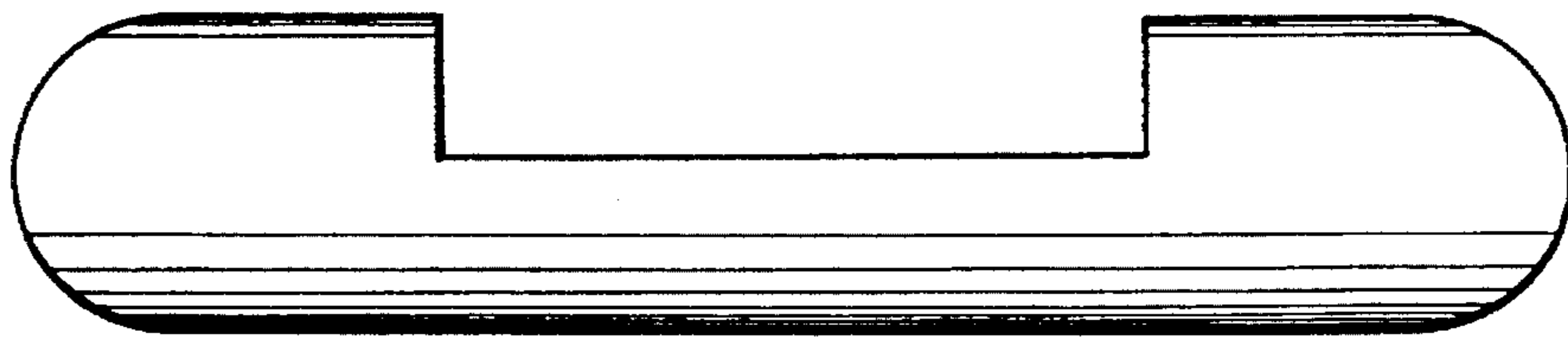


FIG. 2

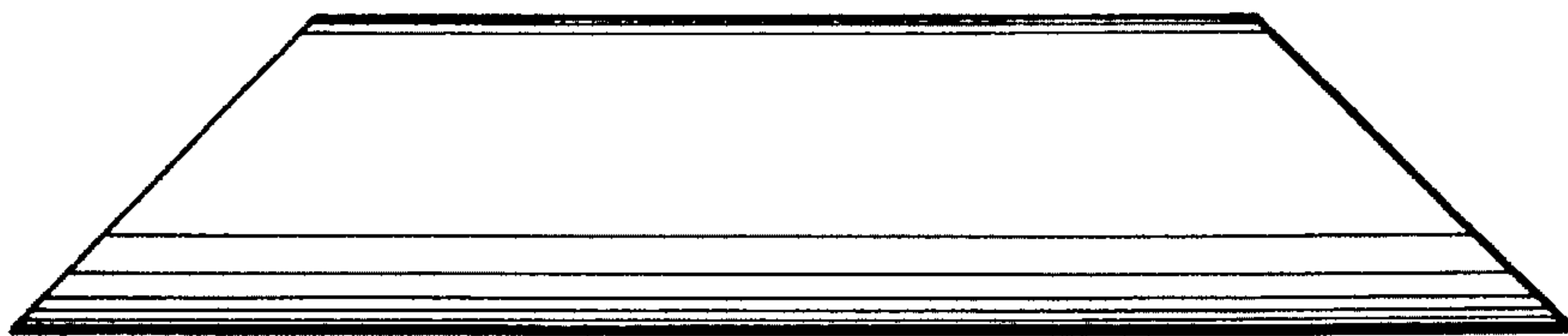


FIG. 3

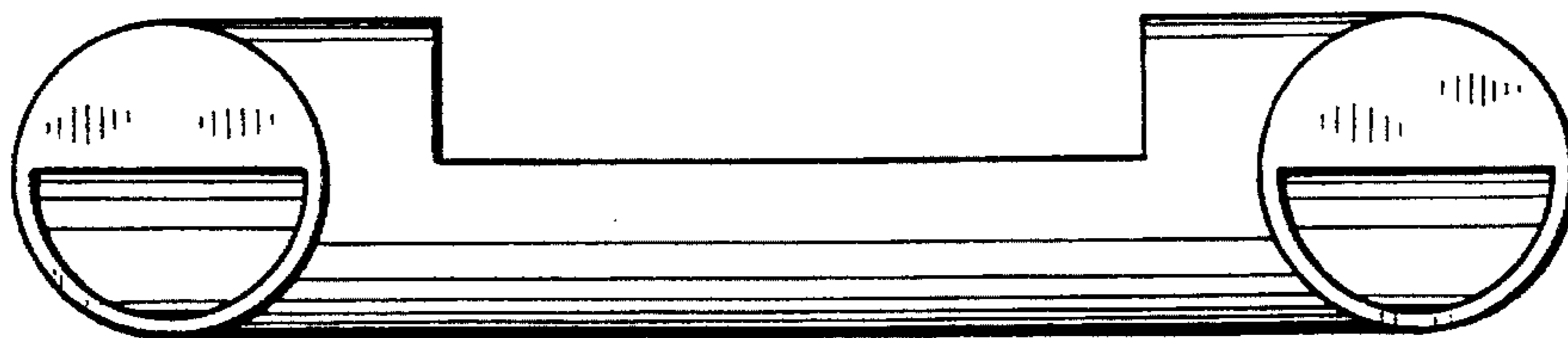


FIG. 4

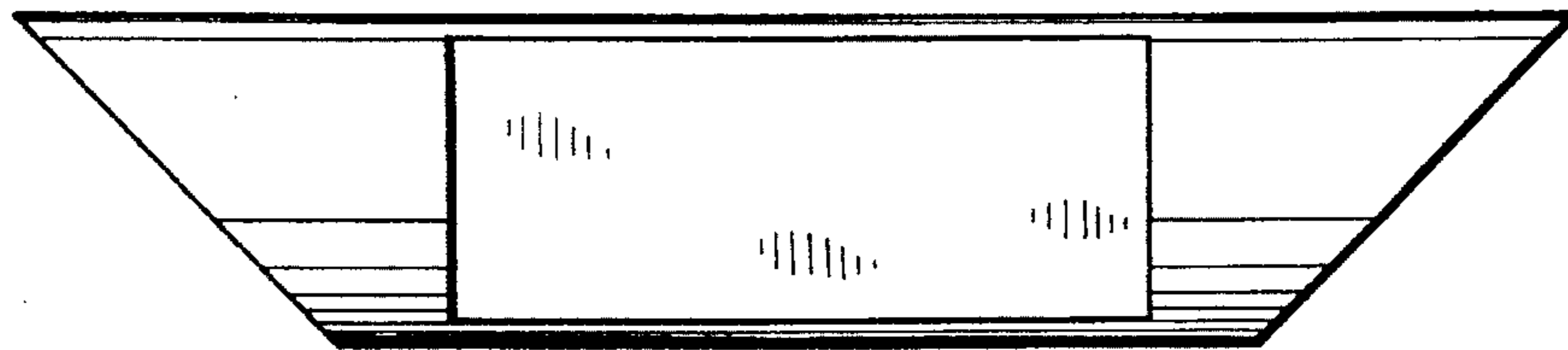


FIG. 6

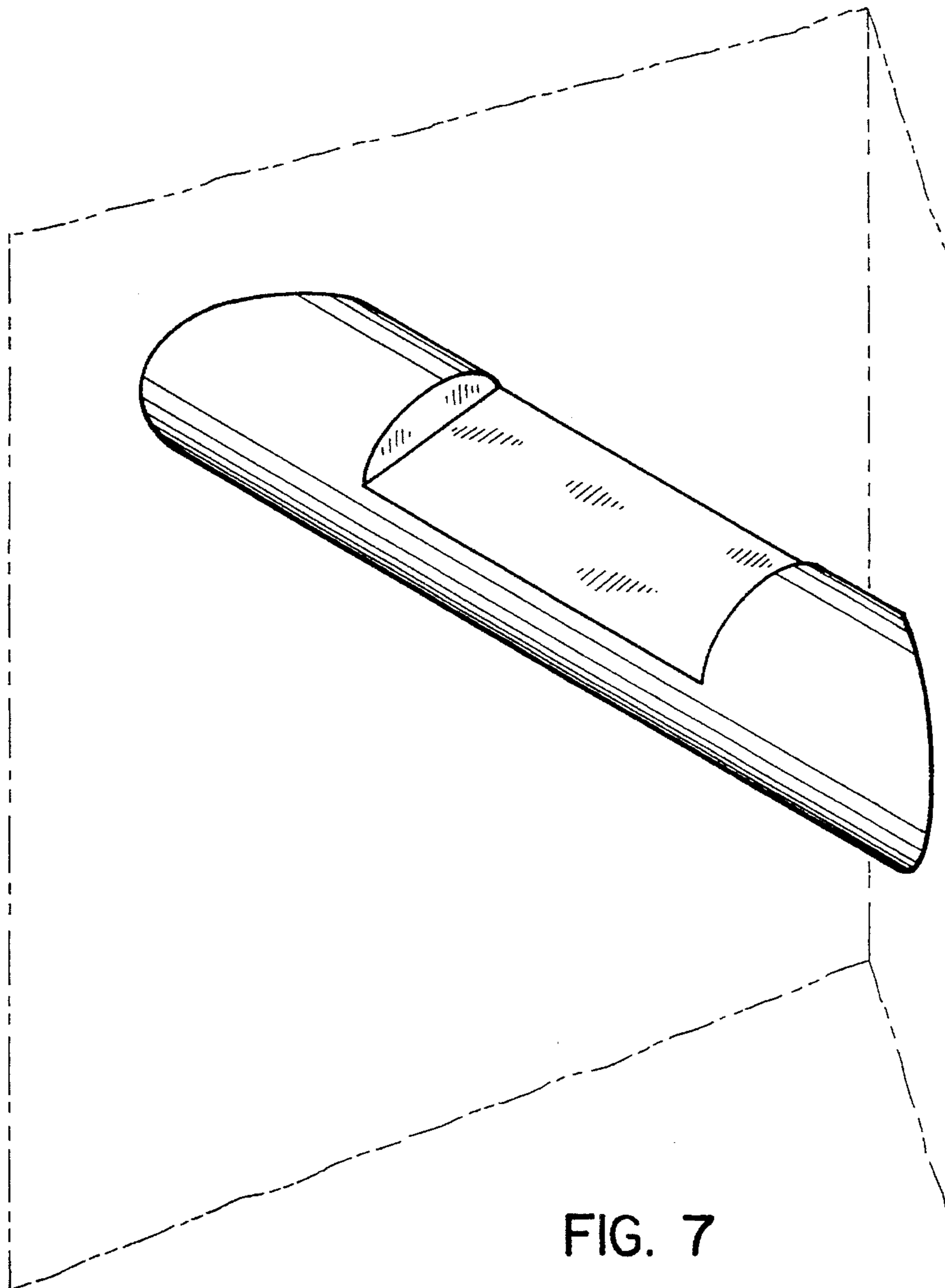


FIG. 7