



US00D366795S

United States Patent [19]
Kuan

[11] **Patent Number: Des. 366,795**
[45] **Date of Patent: **Feb. 6, 1996**

[54] **SOAP DISH**

[76] Inventor: **Jennifer Kuan**, 2888 Ramona St., Palo Alto, Calif. 94306

[**] Term: **14 Years**

[21] Appl. No.: **27,383**

[22] Filed: **Aug. 19, 1994**

[52] **U.S. Cl.** **D6/536**

[58] **Field of Search** D6/536-540, 529;
206/77.1, 176, 309.1, 346, 346.1; 211/13,
14

3,019,548 2/1962 Nadler .
3,899,073 8/1975 Barr .
3,910,661 10/1975 Geary .
4,391,427 7/1983 Foresman .
4,589,150 5/1986 Sciabarassi .
4,775,124 10/1988 Hicks .
4,993,546 2/1991 Southard .
5,029,802 7/1991 Ali .
5,105,485 4/1992 Sciabarassi .
5,181,606 1/1993 Martell .
5,242,064 9/1993 Martell .

Primary Examiner—Brian N. Vinson
Attorney, Agent, or Firm—Morrison & Foerster

[56] **References Cited**

U.S. PATENT DOCUMENTS

- D. 163,716 6/1951 Simmons .
- D. 201,000 5/1965 Kobrin D6/536
- D. 216,368 12/1969 Love .
- D. 239,749 5/1976 Rose .
- D. 247,999 5/1978 Whatley D6/536
- D. 252,841 9/1979 Kok .
- D. 279,640 7/1985 Wahlbeck D6/536
- D. 286,354 10/1986 Bussell D6/536
- D. 355,320 2/1995 Jauregui D6/540
- 1,221,939 4/1917 Wirth .
- 1,742,886 1/1930 Warman .
- 2,490,657 12/1949 Shuman .
- 2,903,129 9/1959 Anderson .

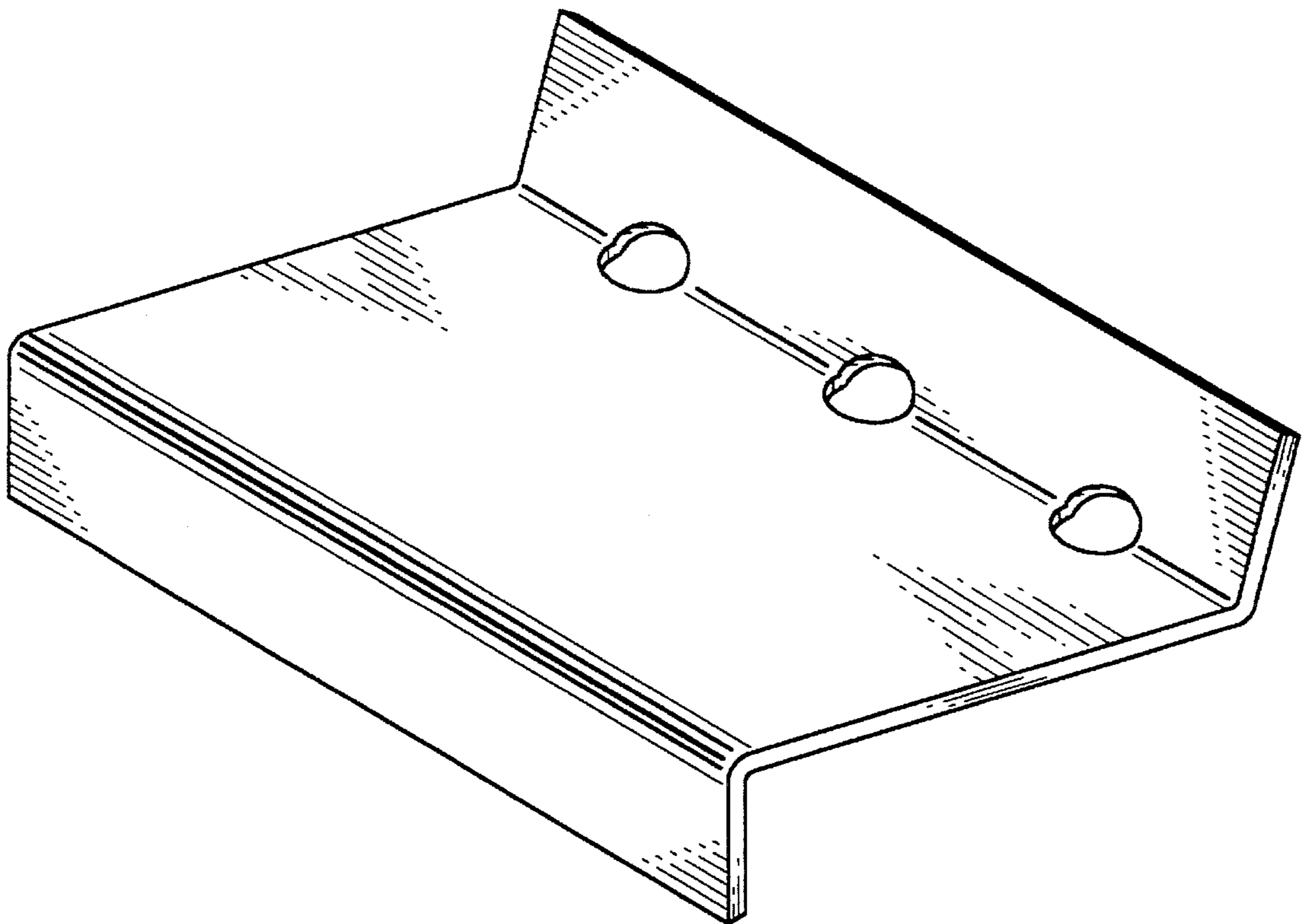
[57] **CLAIM**

The ornamental design for a soap dish, as shown and described.

DESCRIPTION

FIG. 1 is a perspective view of a soap dish showing my new design;
FIG. 2 is a top plan view thereof;
FIG. 3 is a rear elevation thereof;
FIG. 4 is a front elevation thereof;
FIG. 5 is a side elevation thereof, the remaining side elevation being identical thereto; and,
FIG. 6 is a bottom plan view thereof.

1 Claim, 2 Drawing Sheets



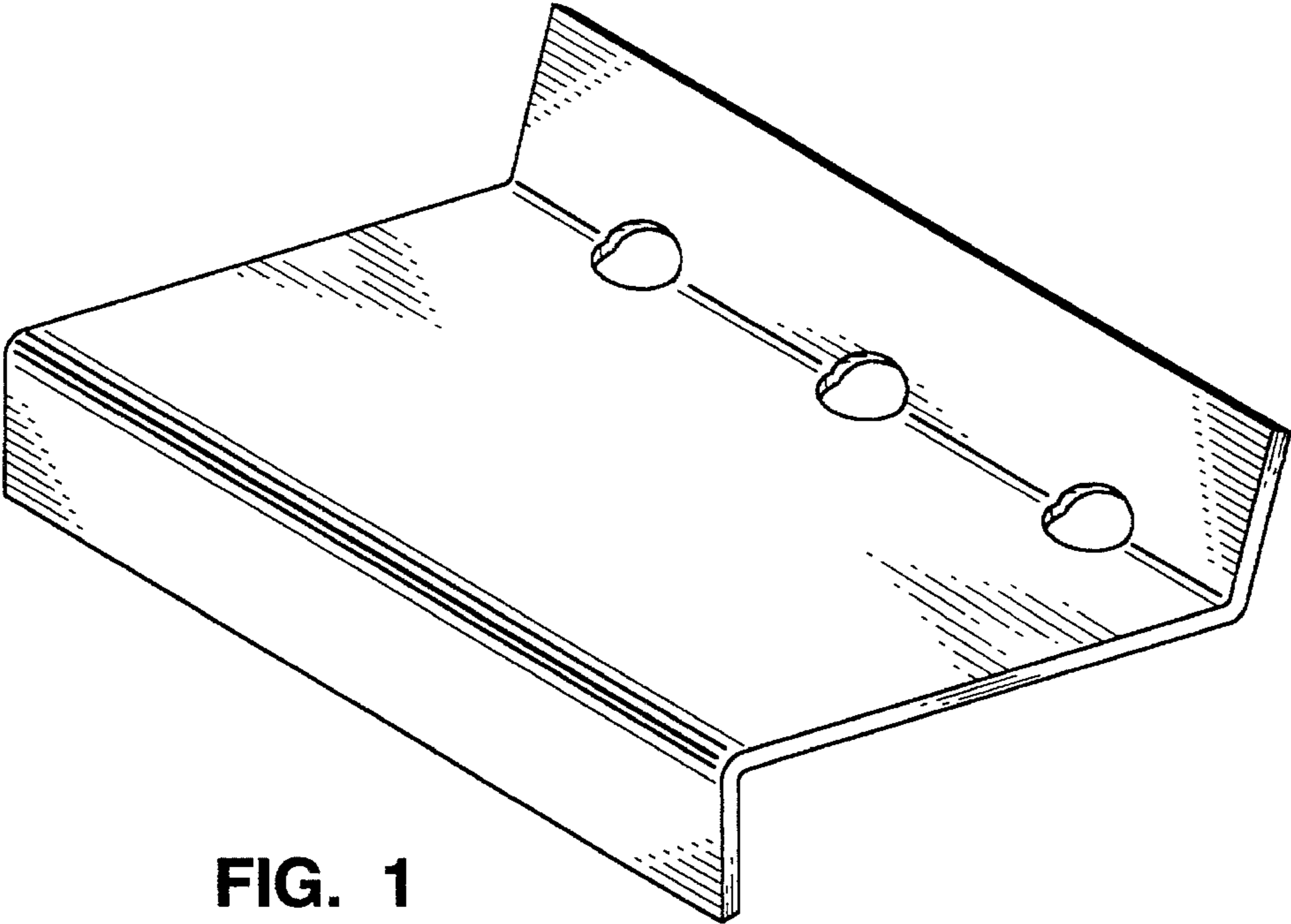


FIG. 1

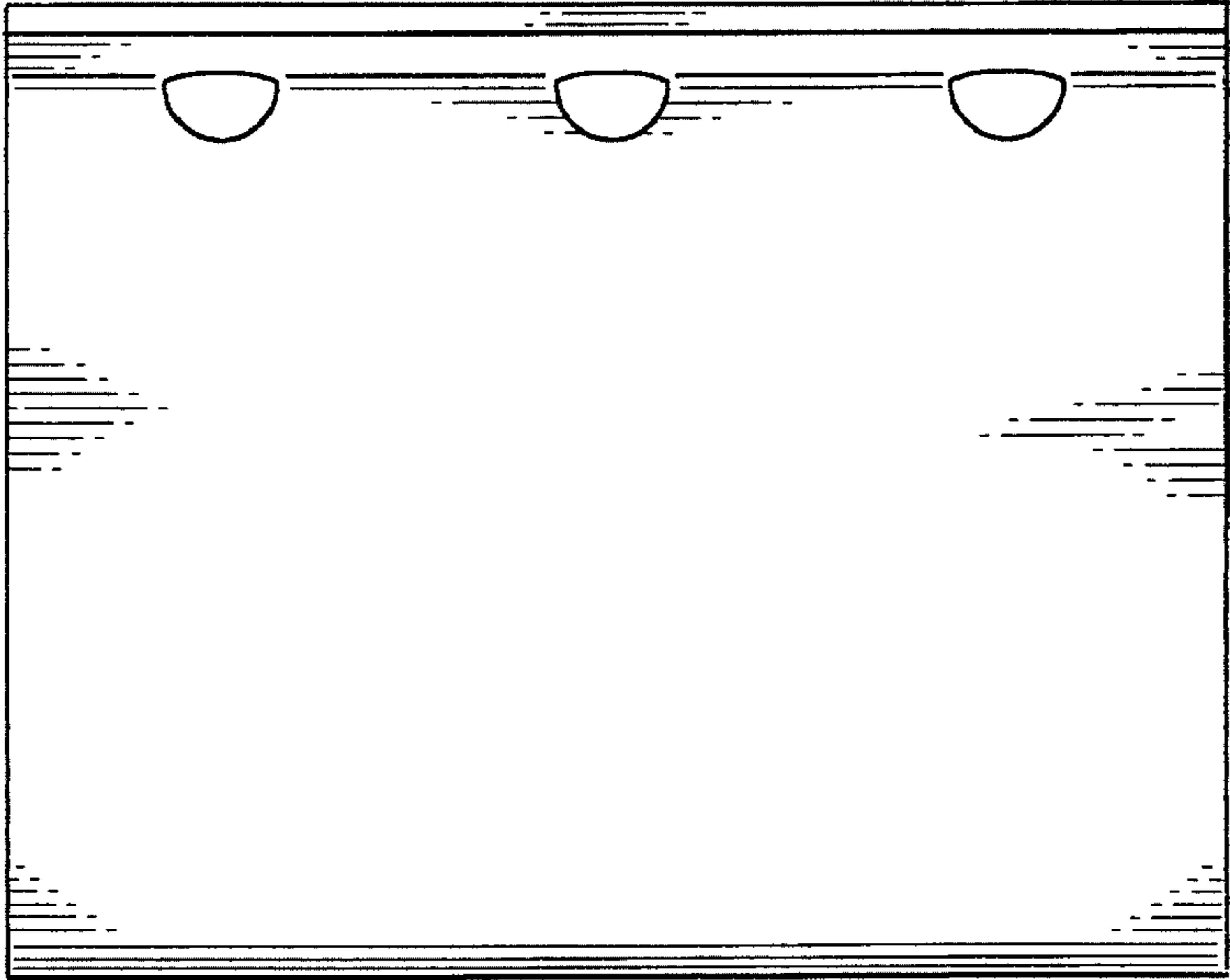


FIG. 2

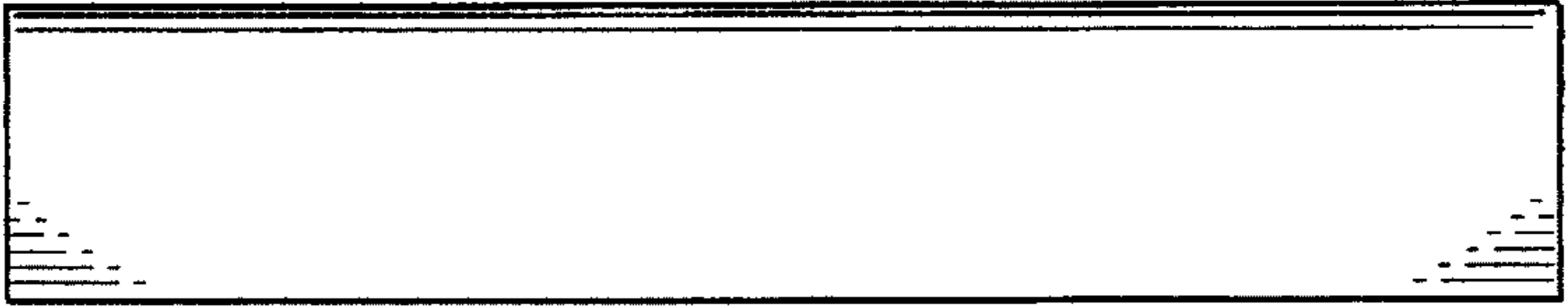


FIG. 3

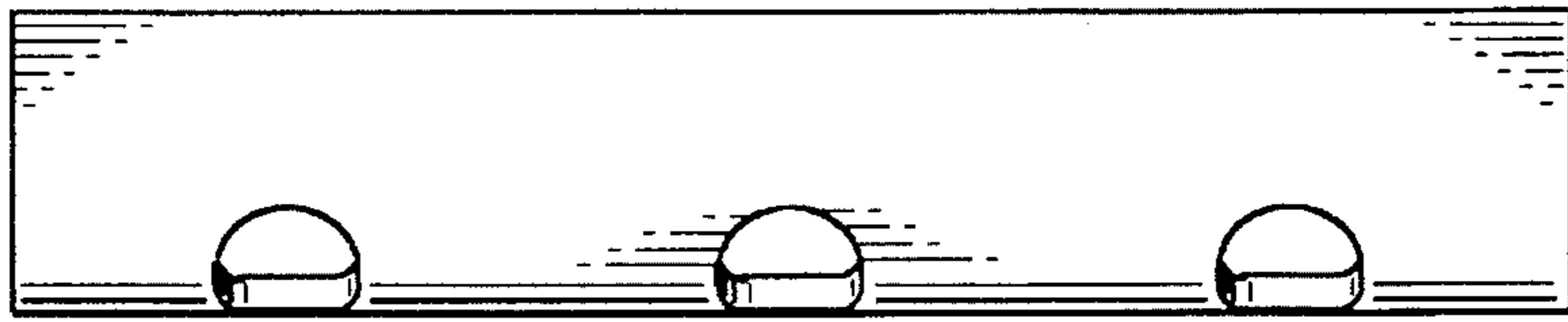


FIG. 4

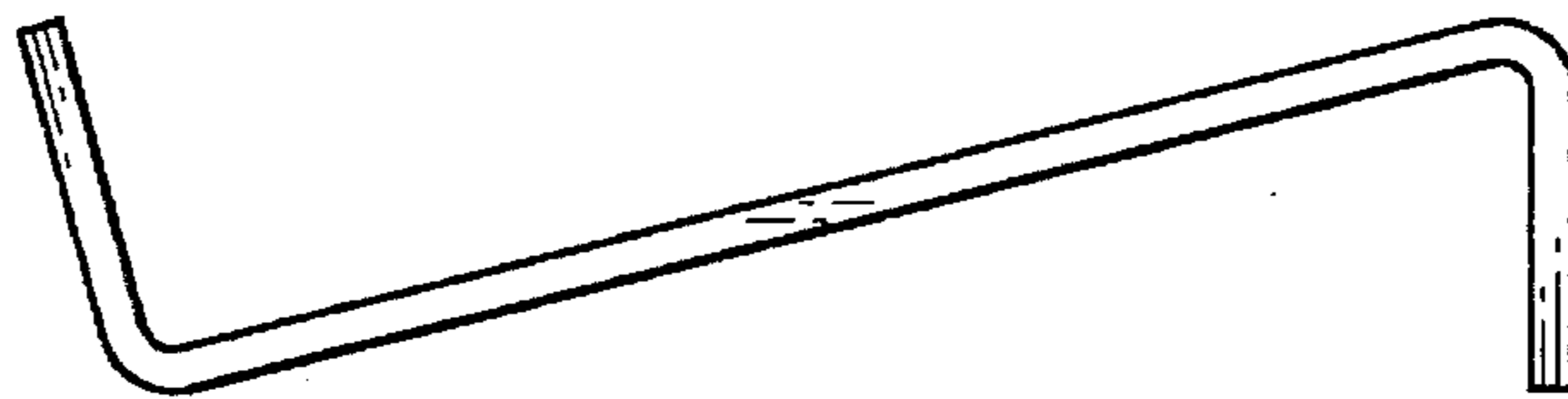


FIG. 5

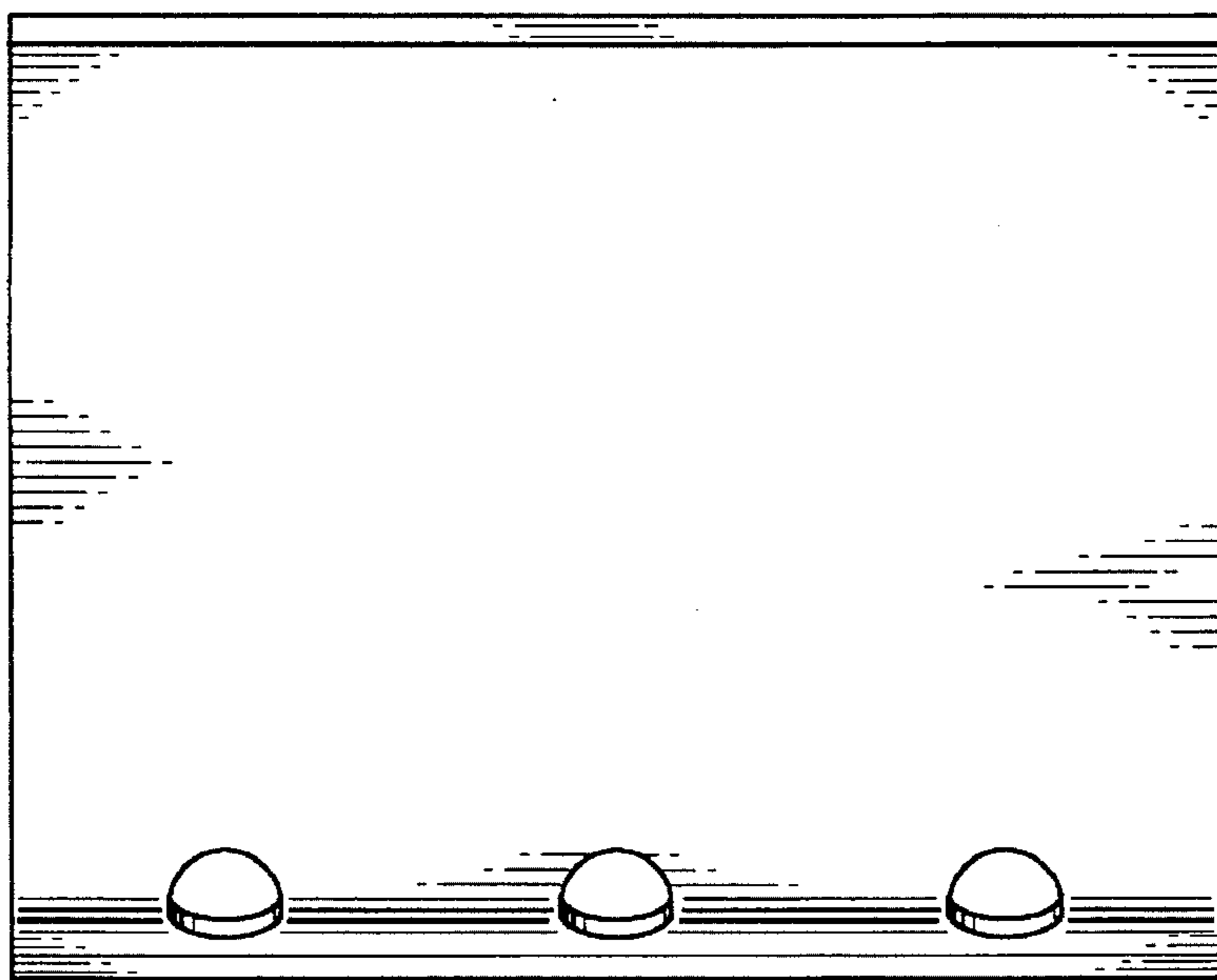


FIG. 6