



US00D366793S

**United States Patent** [19]  
**Barile**

[11] **Patent Number: Des. 366,793**  
[45] **Date of Patent: \*\*Feb. 6, 1996**

[54] **CHAIR BACK**

[75] Inventor: **Peter Barile**, Hamblen County, Tenn.

[73] Assignee: **Shelby Williams Industries, Inc.**,  
Morristown, Tenn.

[\*\*] Term: **14 Years**

[21] Appl. No.: **30,786**

[22] Filed: **Nov. 8, 1994**

[52] U.S. Cl. .... **D6/502**

[58] Field of Search ..... D6/334, 369, 363,  
D6/358, 370, 374, 375, 376, 379, 380,  
500, 501, 502; 297/411.42, 217, 457, 460,  
444, 452

[56] **References Cited**

**U.S. PATENT DOCUMENTS**

- D. 200,704 3/1965 Rogers, Jr. .... D6/502
- D. 342,391 12/1993 Caldwell ..... D6/376
- D. 343,317 1/1994 Poo ..... D6/502

**OTHER PUBLICATIONS**

- Willow & Reed, 1970, p. 1, see circled picture of chair, right center.
- Willow & Reed, 1970 p. 67, see circled chair, top left.

*Primary Examiner*—Martie Thompson  
*Attorney, Agent, or Firm*—Pitts & Brittan

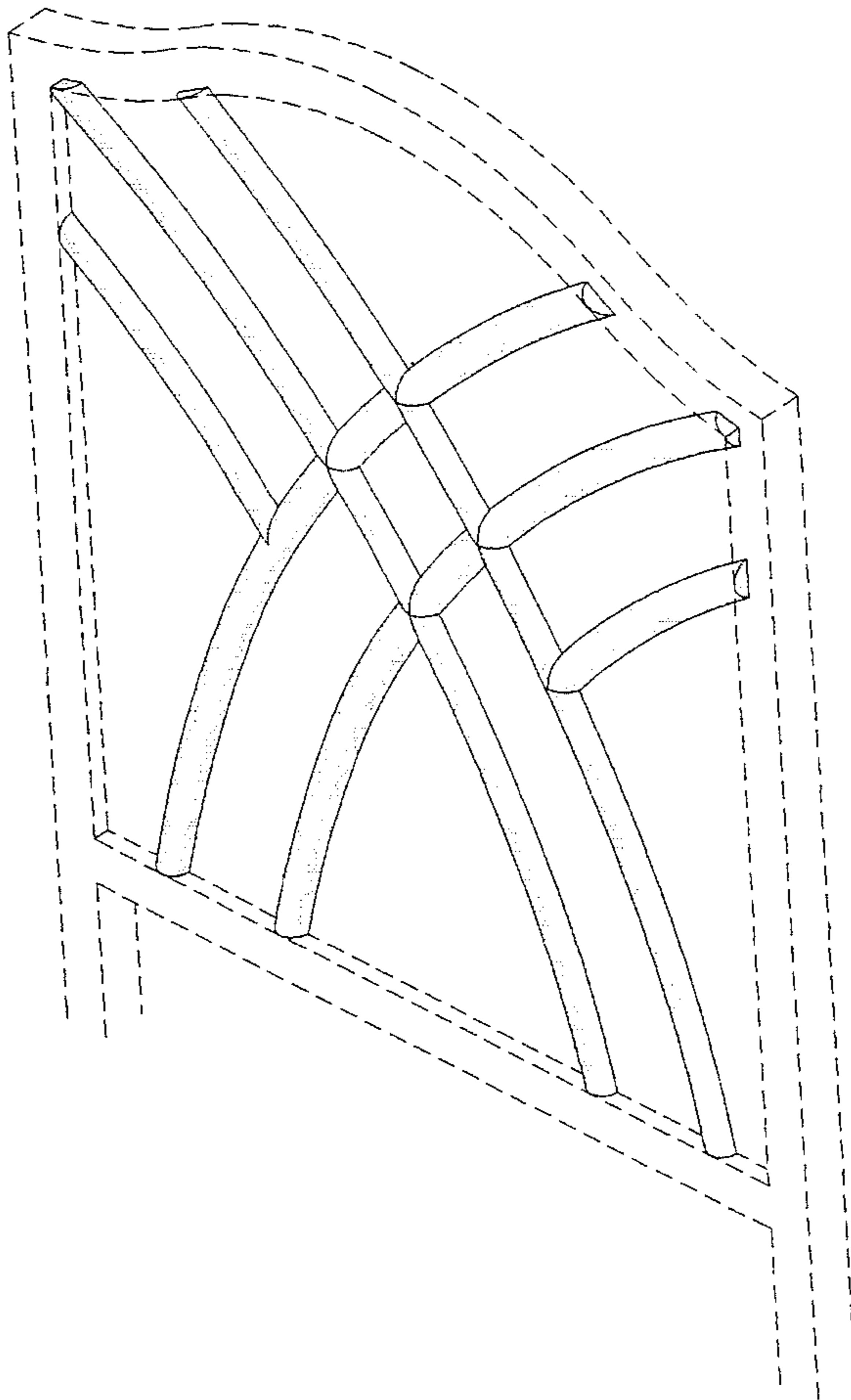
[57] **CLAIM**

The ornamental design for a chair back, as shown and described.

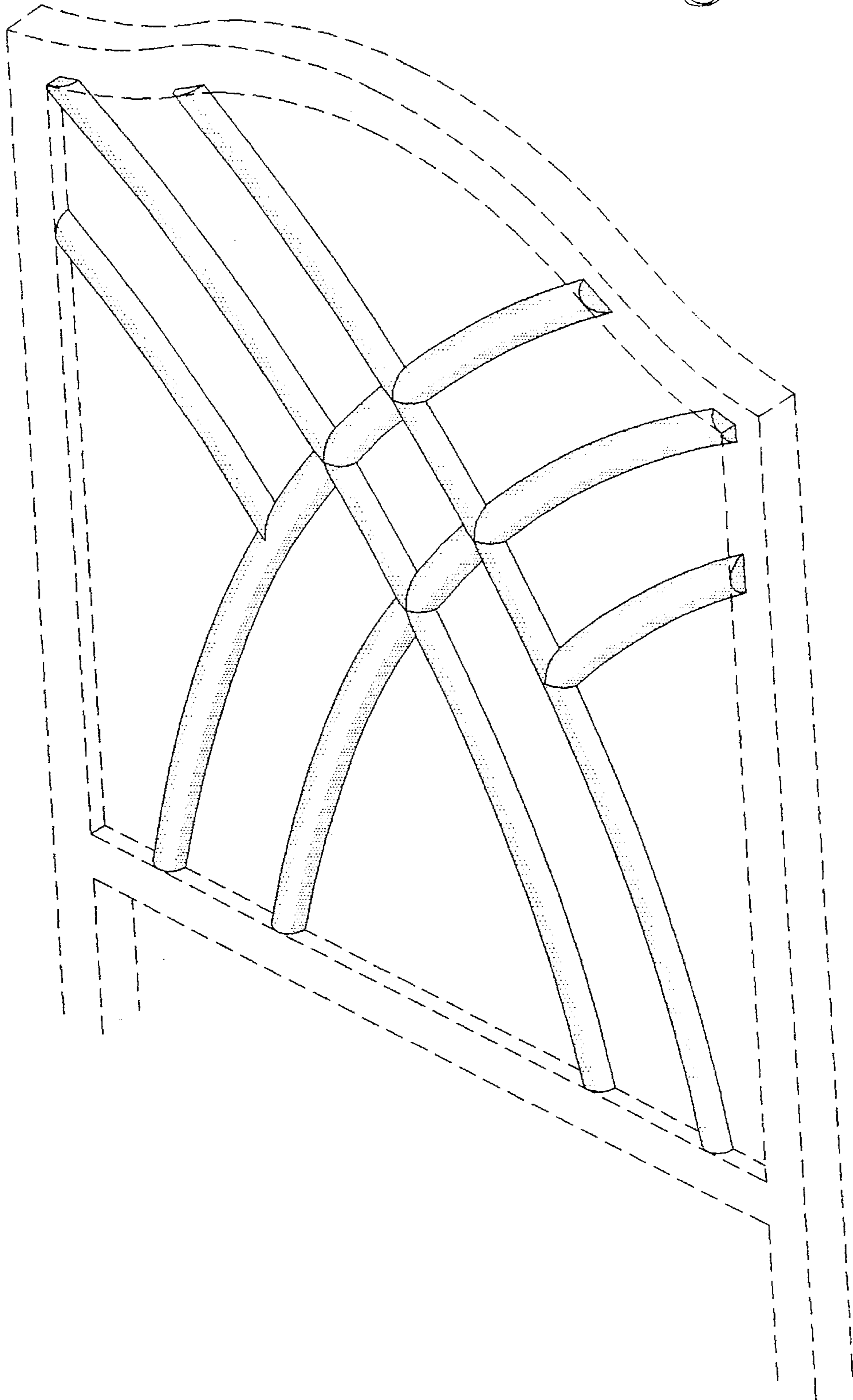
**DESCRIPTION**

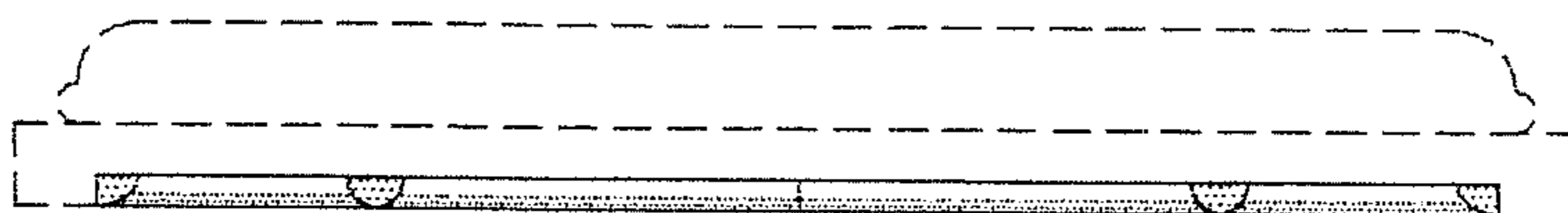
FIG. 1 is a perspective view of a chair back showing my new design;  
 FIG. 2 is a plan view of thereof;  
 FIG. 3 is a rear elevation view thereof;  
 FIG. 4 is a bottom view thereof;  
 FIG. 5 is a front view thereof;  
 FIG. 6 is a left side elevation view thereof, the right side elevation being a mirror image thereof;  
 FIG. 7 is a plan view of a chair back showing an alternate embodiment of my new design;  
 FIG. 8 is a rear elevation view of a chair back showing the alternate embodiment of my new design;  
 FIG. 9 is a bottom view of a chair back showing the alternate embodiment of my new design;  
 FIG. 10 is a front elevation view of a chair back showing the alternate embodiment of my new design; and,  
 FIG. 11 is a left side elevation view of a chair back showing the alternate embodiment of my new design.

**1 Claim, 5 Drawing Sheets**

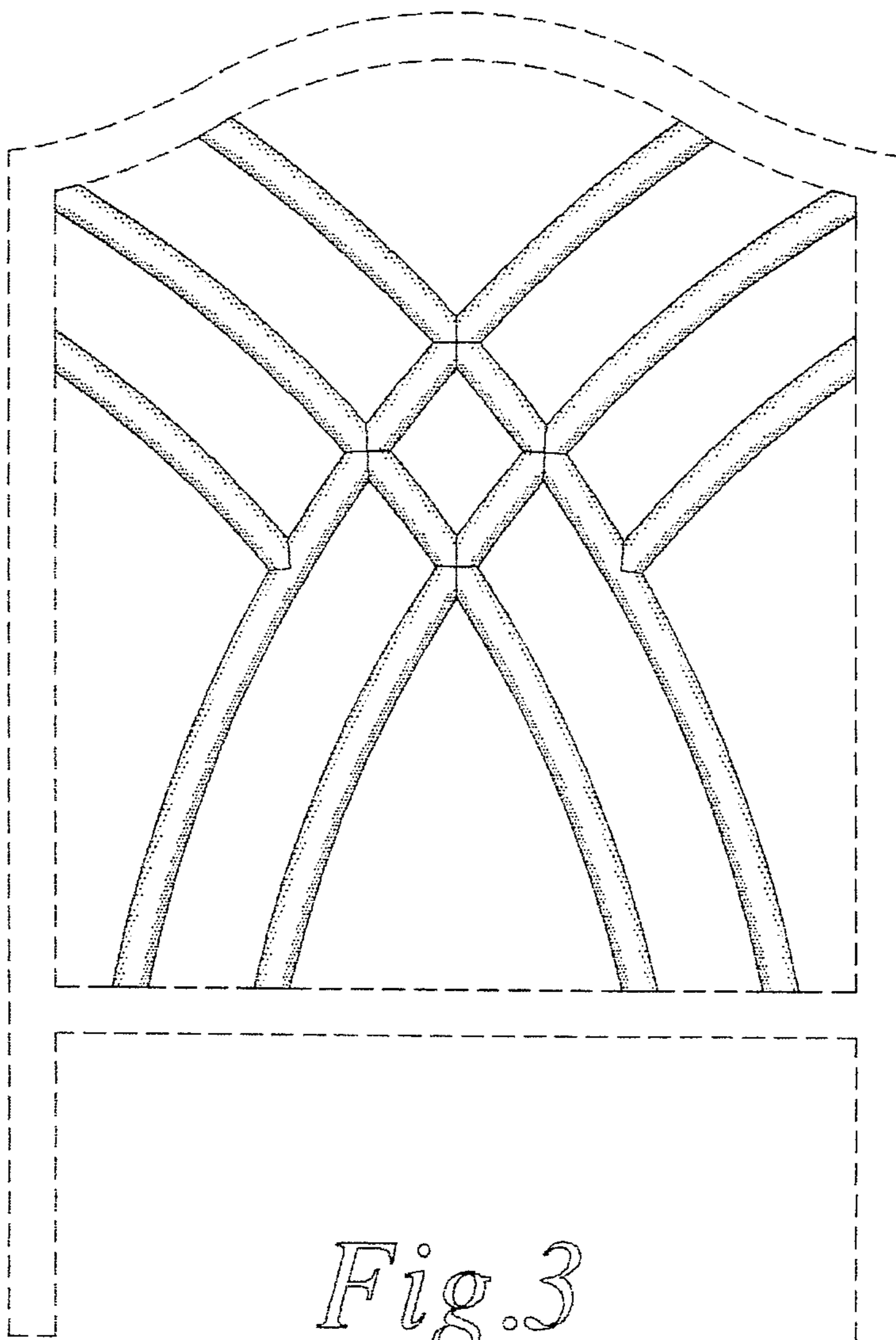


*Fig. 1*



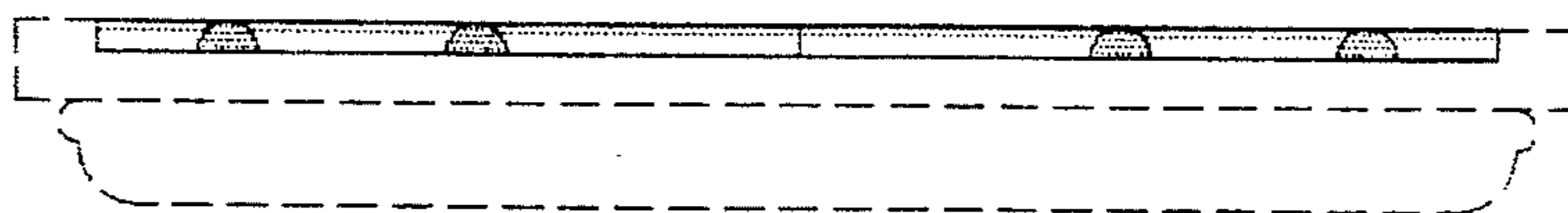


*Fig. 2*



*Fig. 3*

*Fig. 4*



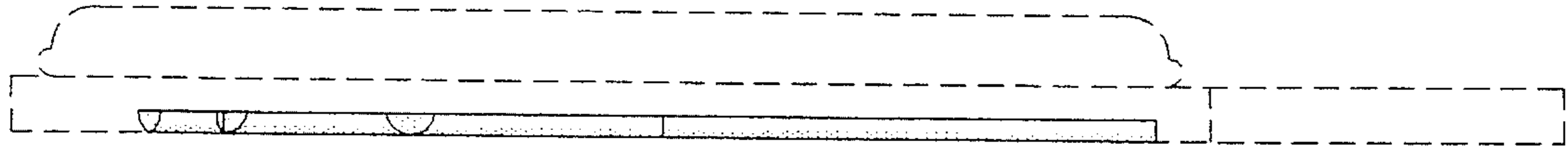


Fig. 6

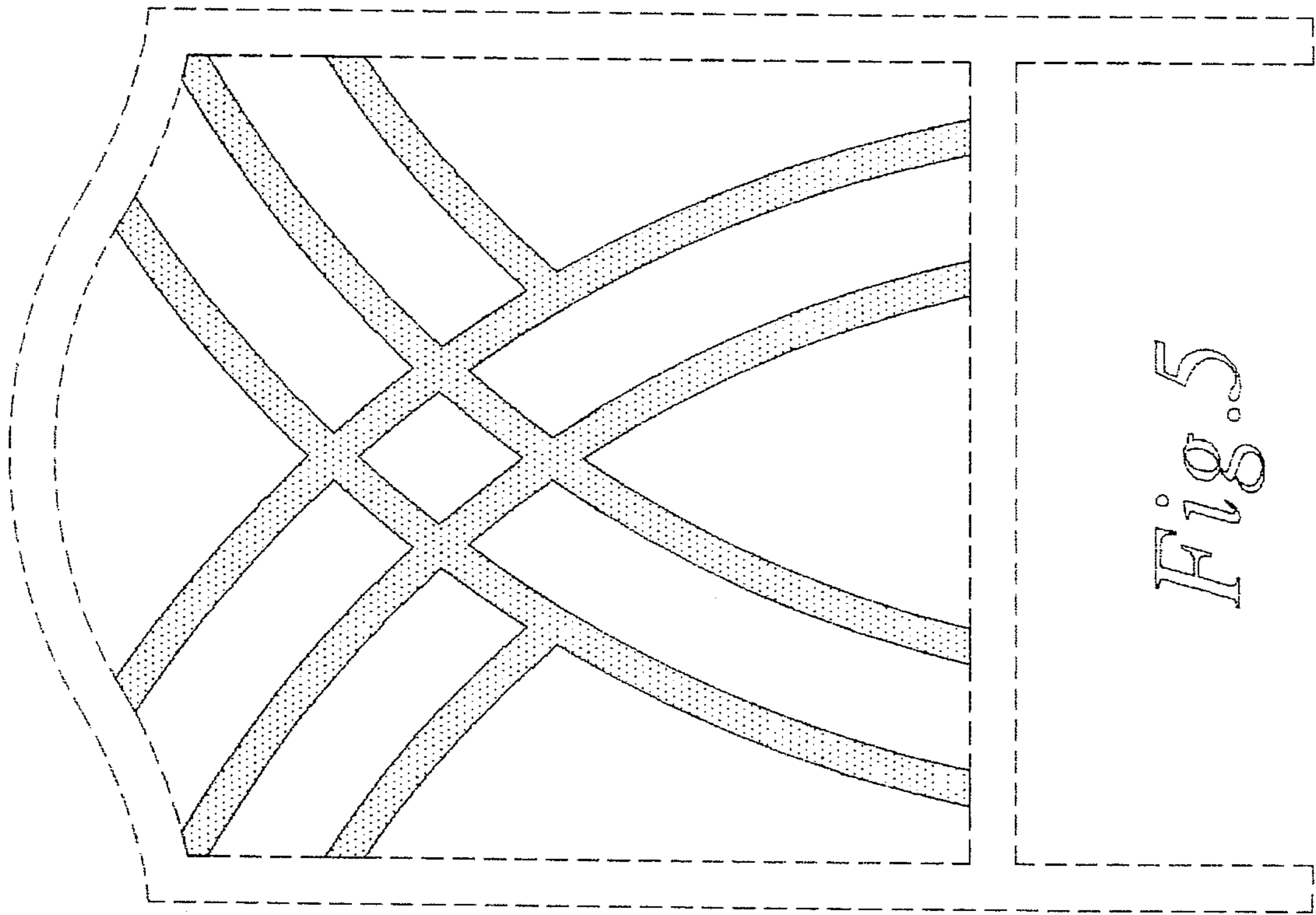
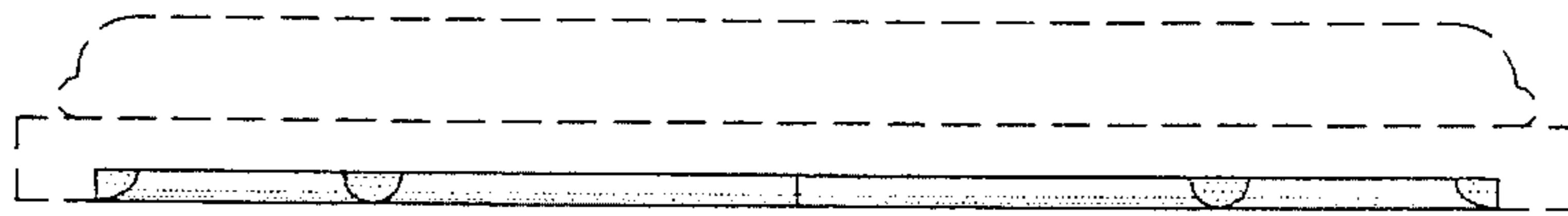
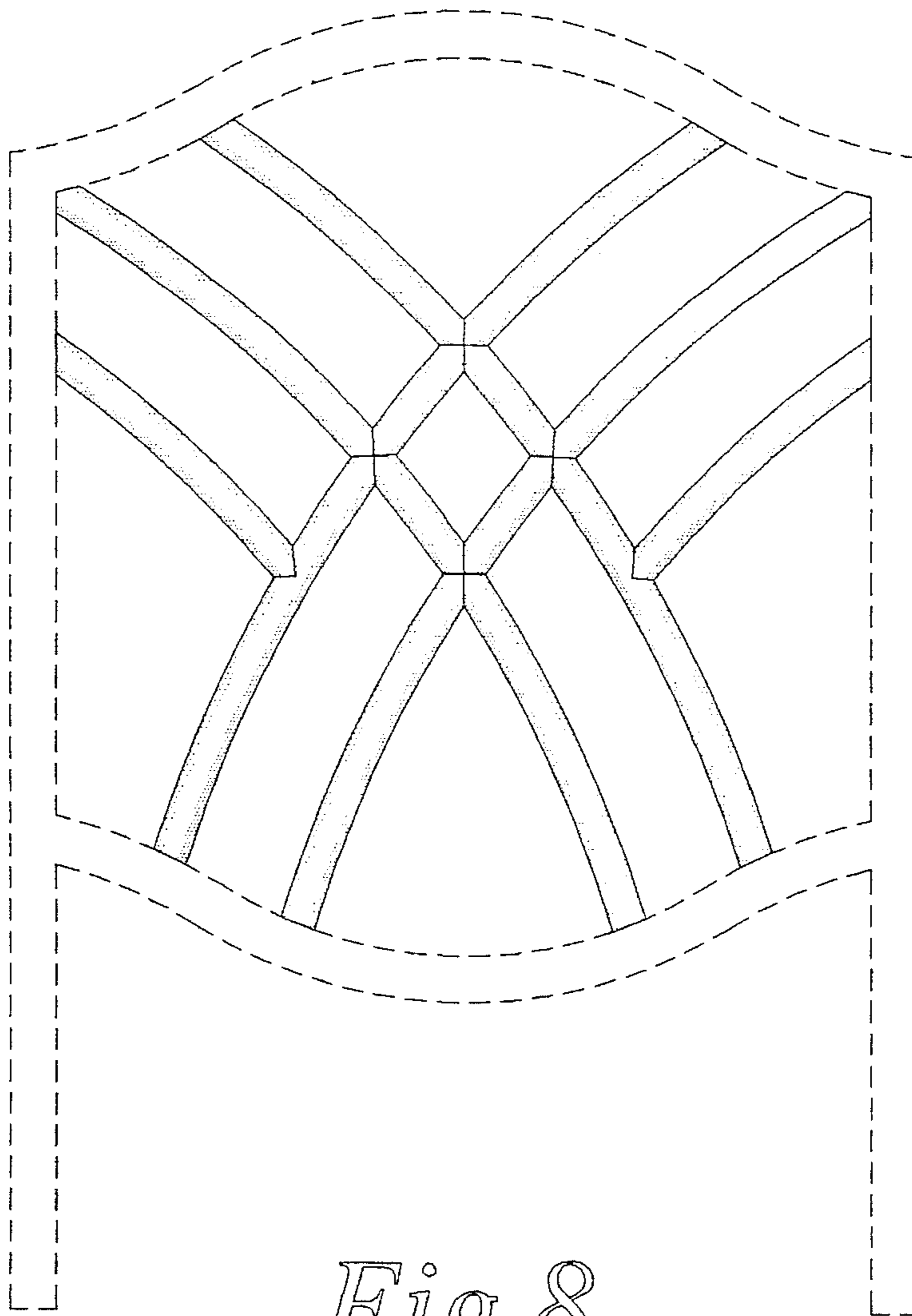


Fig. 5

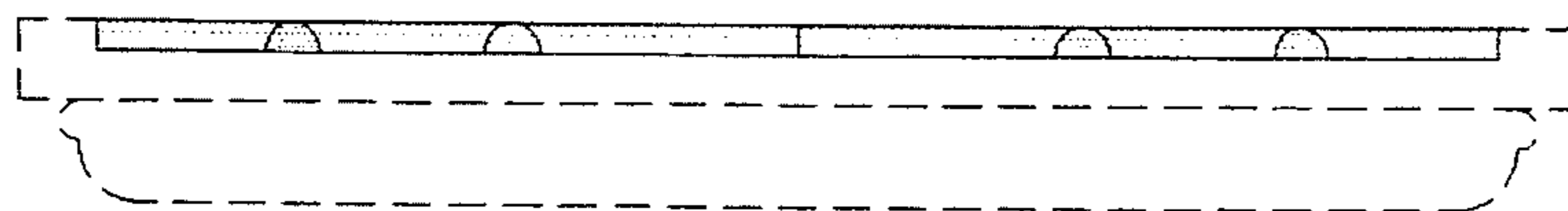


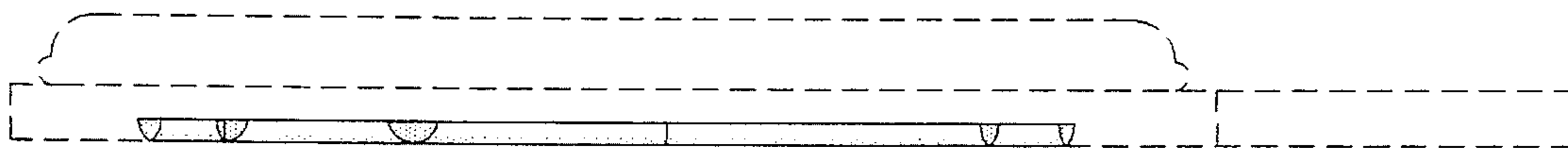
*Fig. 7*



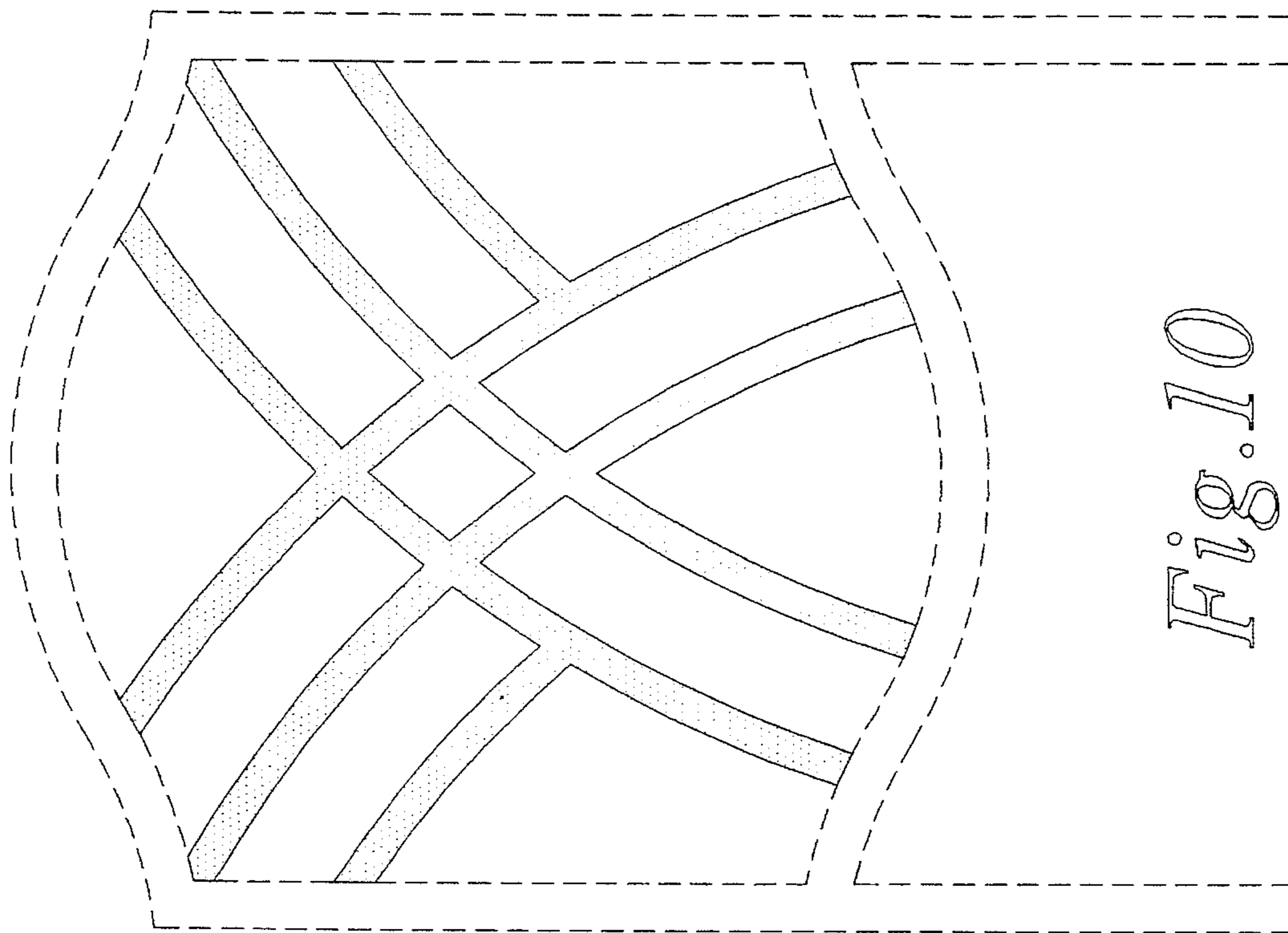
*Fig. 8*

*Fig. 9*





*Fig. 11*



*Fig. 10*