



US00D366787S

United States Patent [19]

Konecny

[11] **Patent Number: Des. 366,787**

[45] **Date of Patent: **Feb. 6, 1996**

[54] **DISPLAY ASSEMBLY**

[76] Inventor: **Pamela Konecny**, 1418 Monroe St.,
River Forest, Ill. 60305

[**] Term: **14 Years**

[21] Appl. No.: **8,977**

[22] Filed: **Jun. 1, 1993**

[52] U.S. Cl. **D6/474**

[58] Field of Search D6/449, 450, 451,
D6/474, 480, 482, 429, 484, 396, 400,
425, 426; 211/135, 134, 186

Spiegel Catalog, Spring 1983, p. 337, Tiers of Glass Cock-
tail Tables.

Mil-Mode Catalog, Fall 1961, p. 18, 312 Cocktail Table.

Primary Examiner—Alan P. Douglas

Assistant Examiner—S. Snapp

Attorney, Agent, or Firm—Michael, Best & Friedrich

[57] CLAIM

The ornamental design for a display assembly, as shown.

DESCRIPTION

FIG. 1 is a front perspective view of the display assembly of
the present invention;

FIG. 2 is a top plan view;

FIG. 3 is a side elevational view;

FIG. 4 is the opposite side elevational view;

FIG. 5 is a bottom plan view; and,

FIG. 6 is rear elevational view.

[56] References Cited

U.S. PATENT DOCUMENTS

D. 165,584	1/1952	Johnson	D6/482
D. 175,651	9/1955	Schwartz	D6/474
D. 282,775	2/1986	Floyd, Sr.	D6/480 X
D. 291,851	9/1987	Salvato	D6/482
D. 332,535	1/1993	Hosoe	D6/429 X
2,435,132	1/1948	D'Horaene	211/135 X

OTHER PUBLICATIONS

Furniture Today Catalog, Apr. 1989, p. 142 Morganton
Chair's Table.

Domus Magazine, Nov. 1975, p. 36 Tavoli Pluriuso Tables.

1 Claim, 3 Drawing Sheets

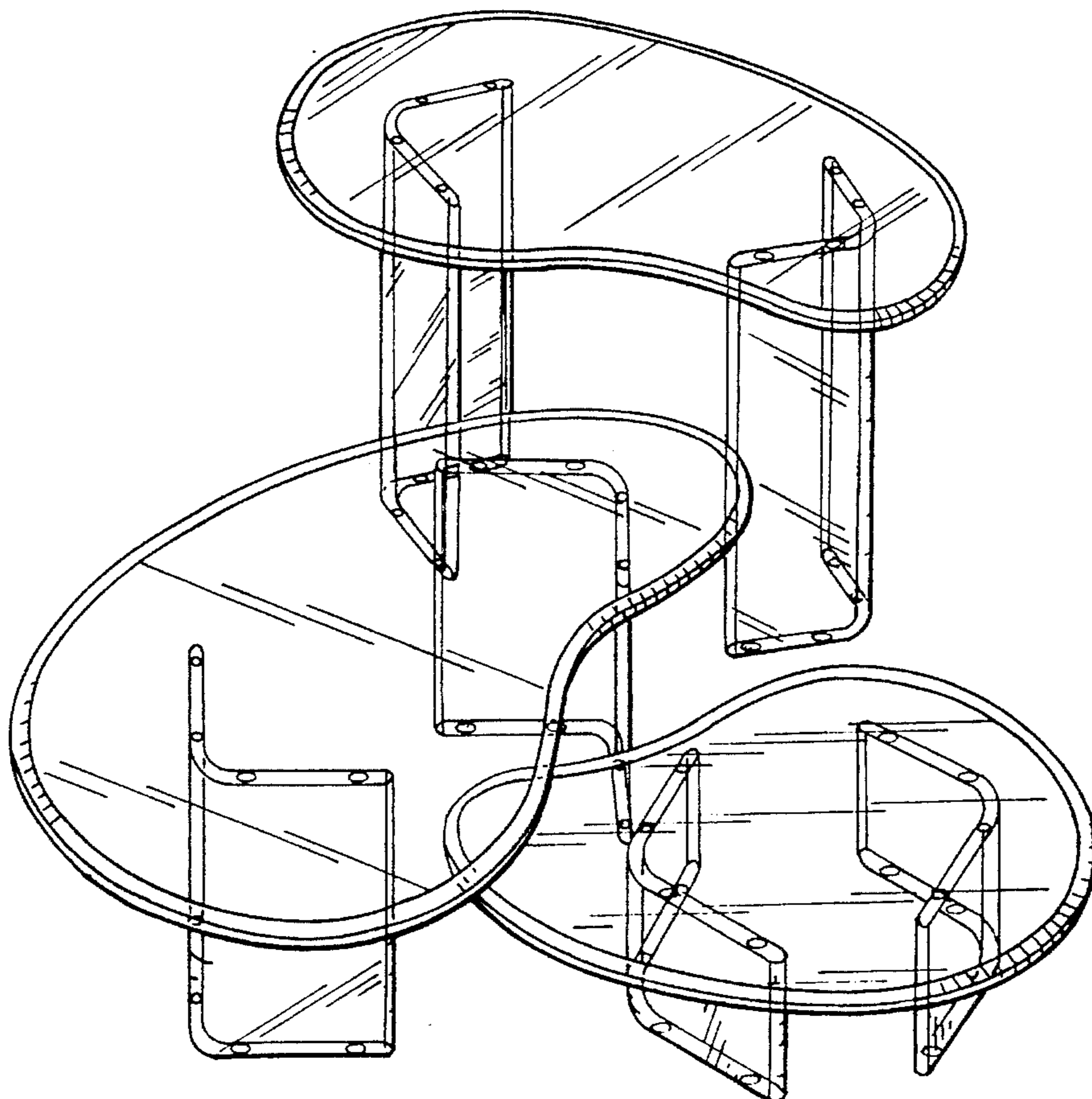


Fig. 1

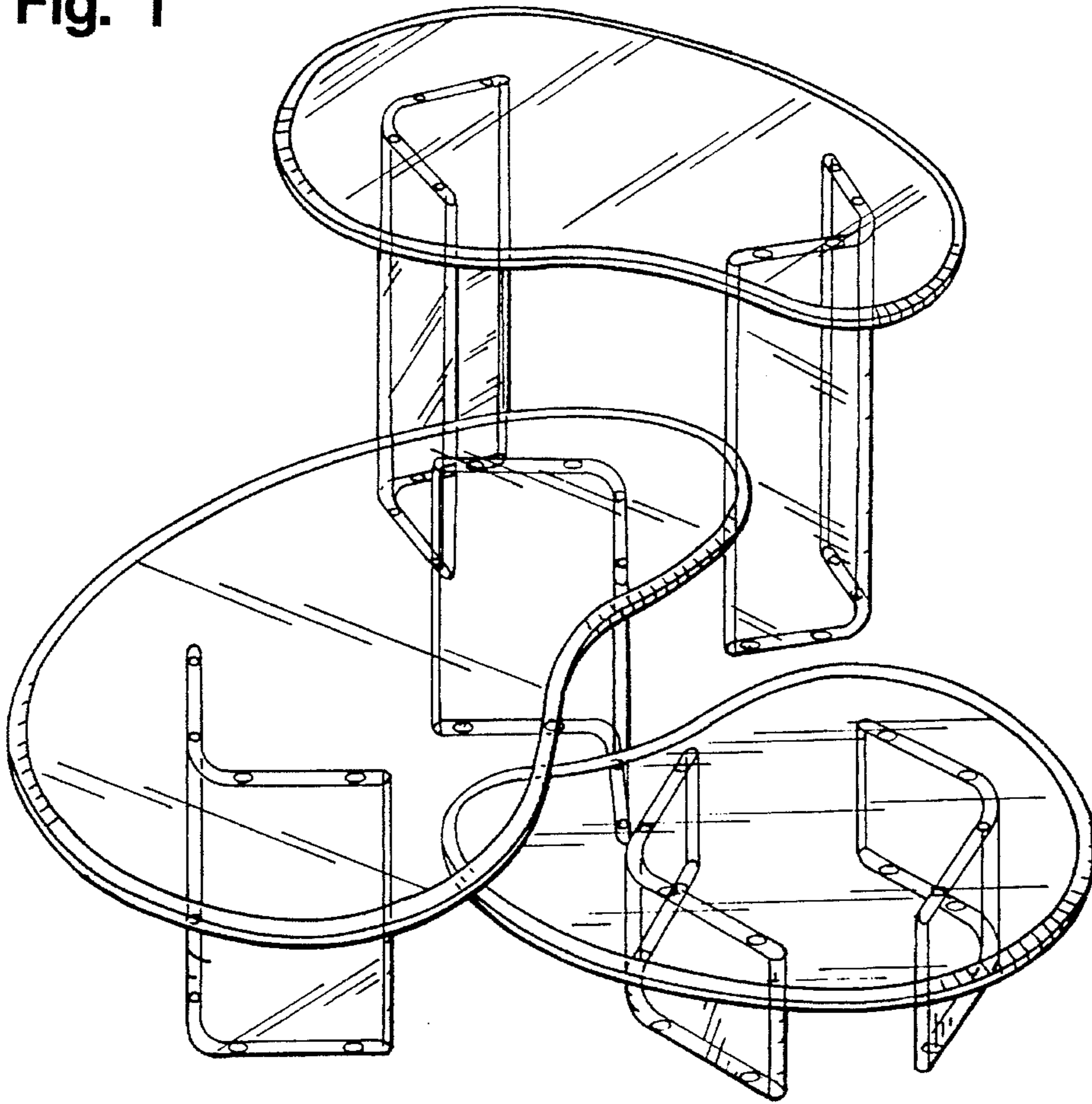
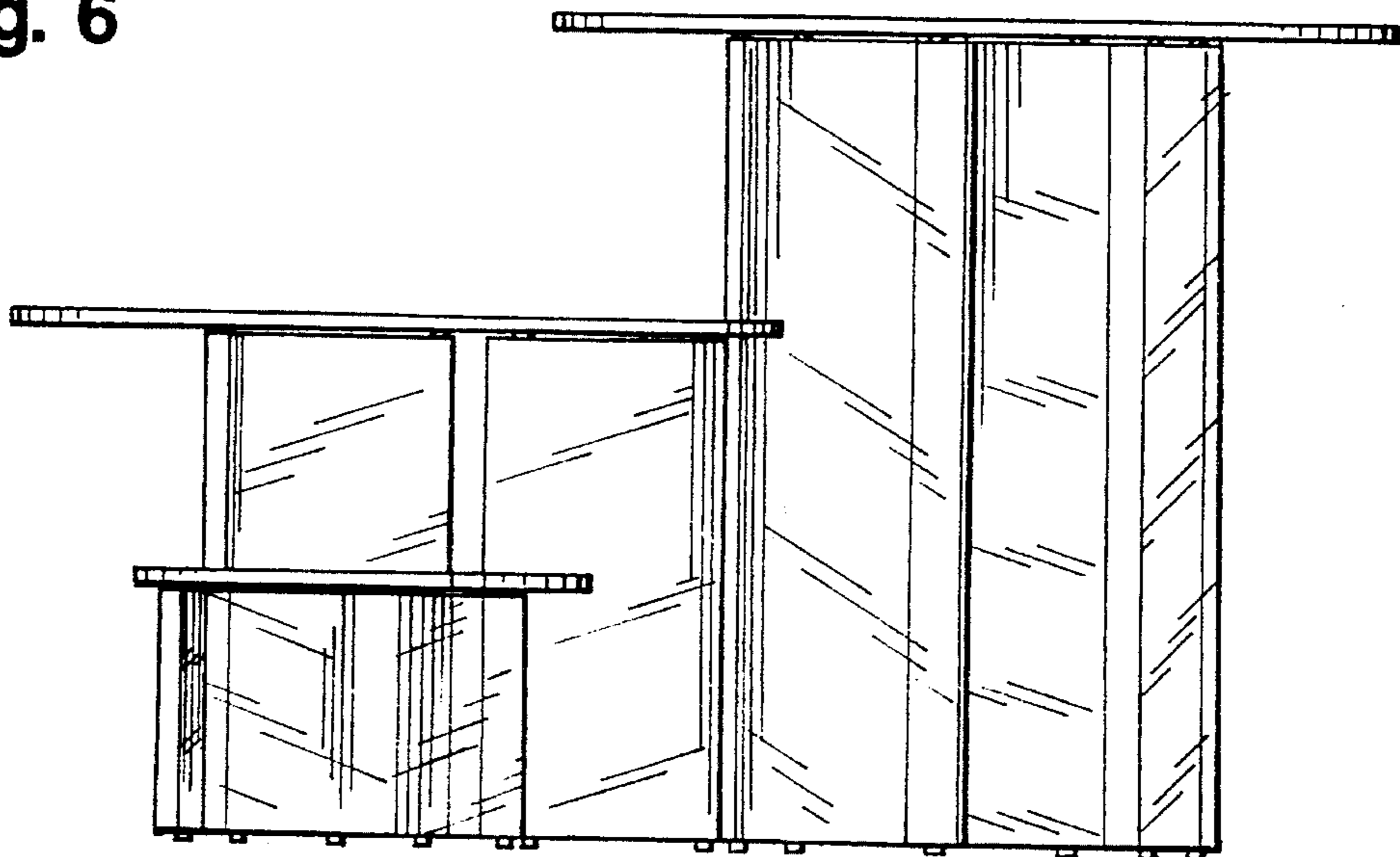


Fig. 6



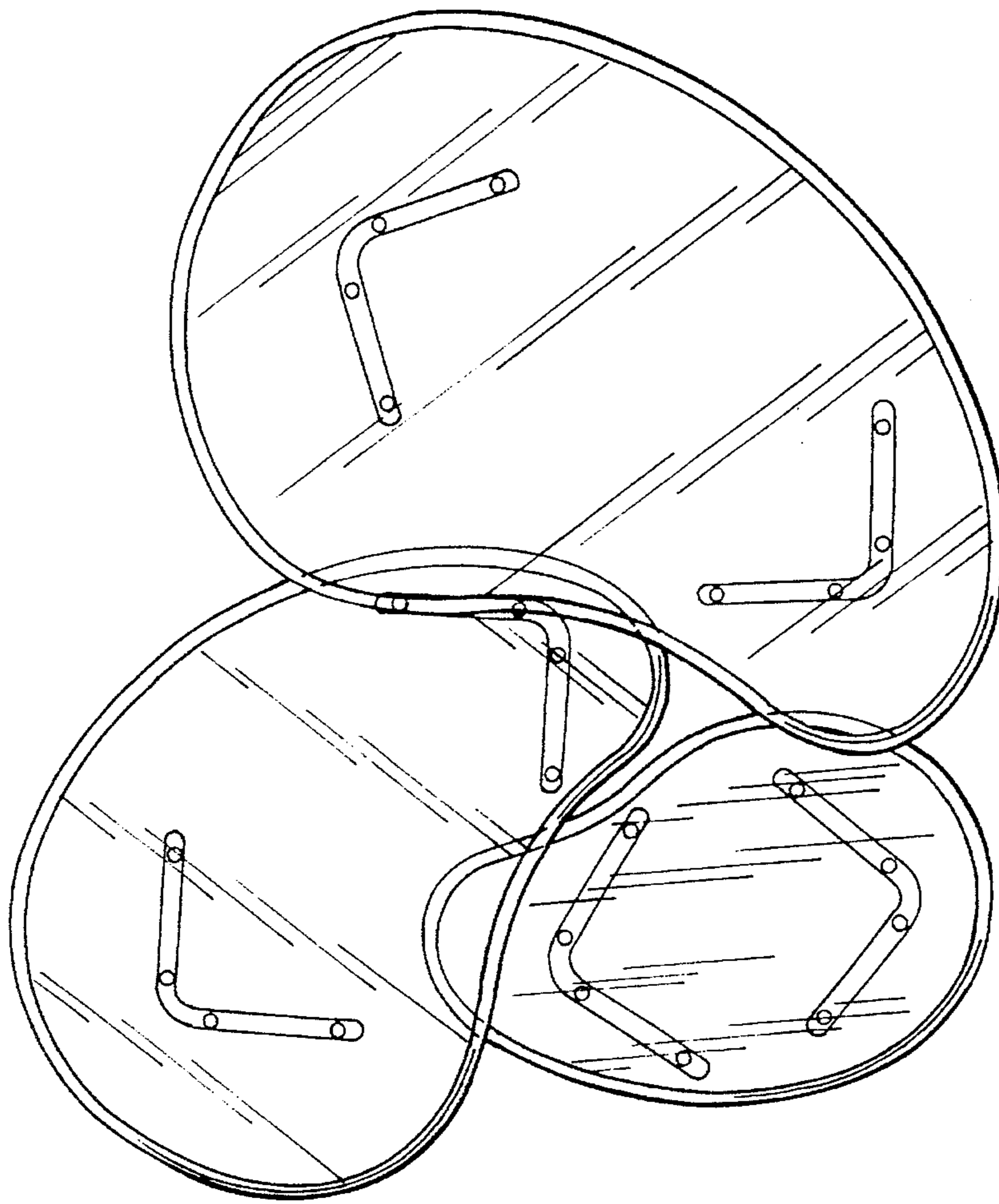


Fig. 2

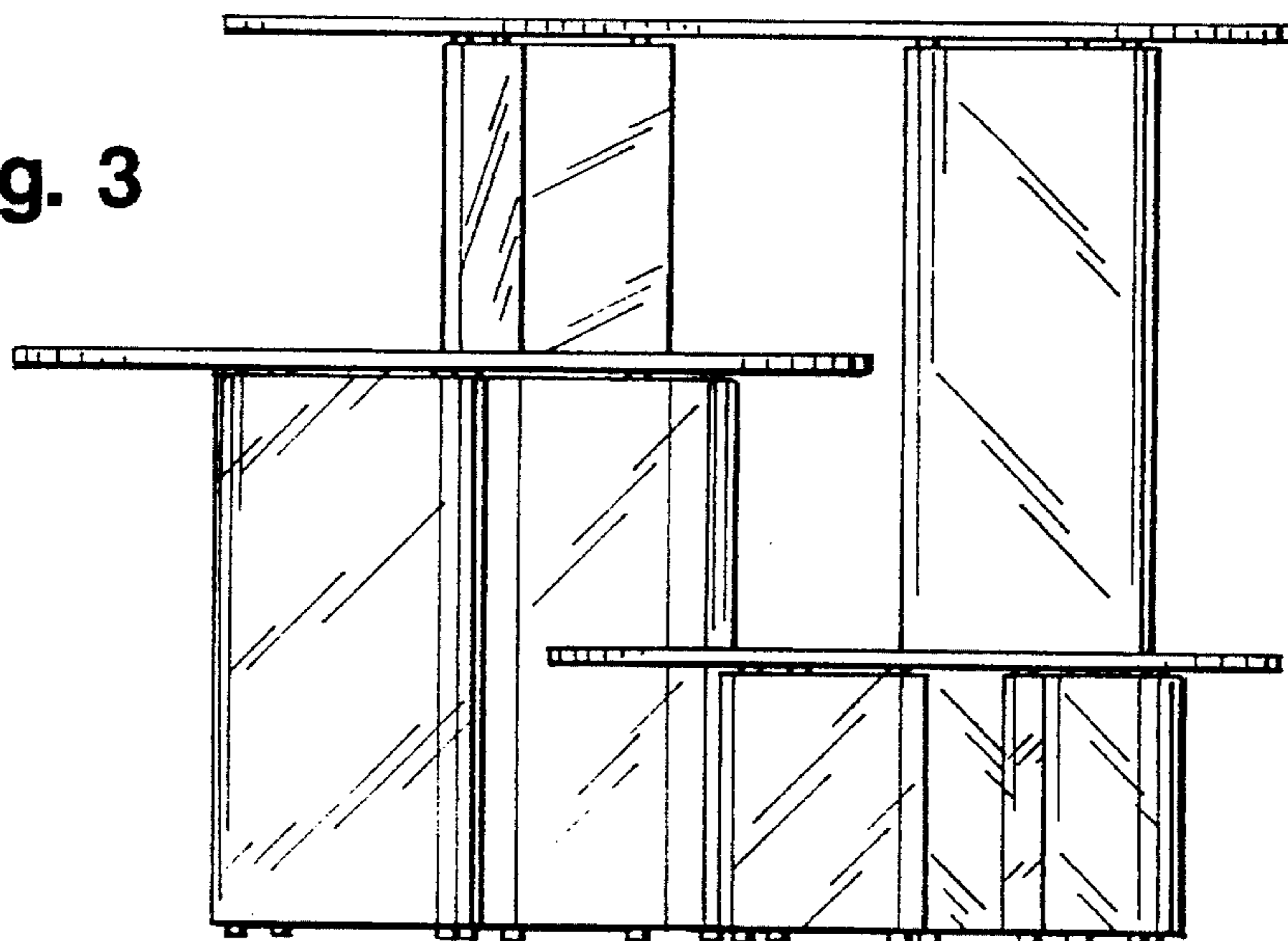


Fig. 3

Fig. 4

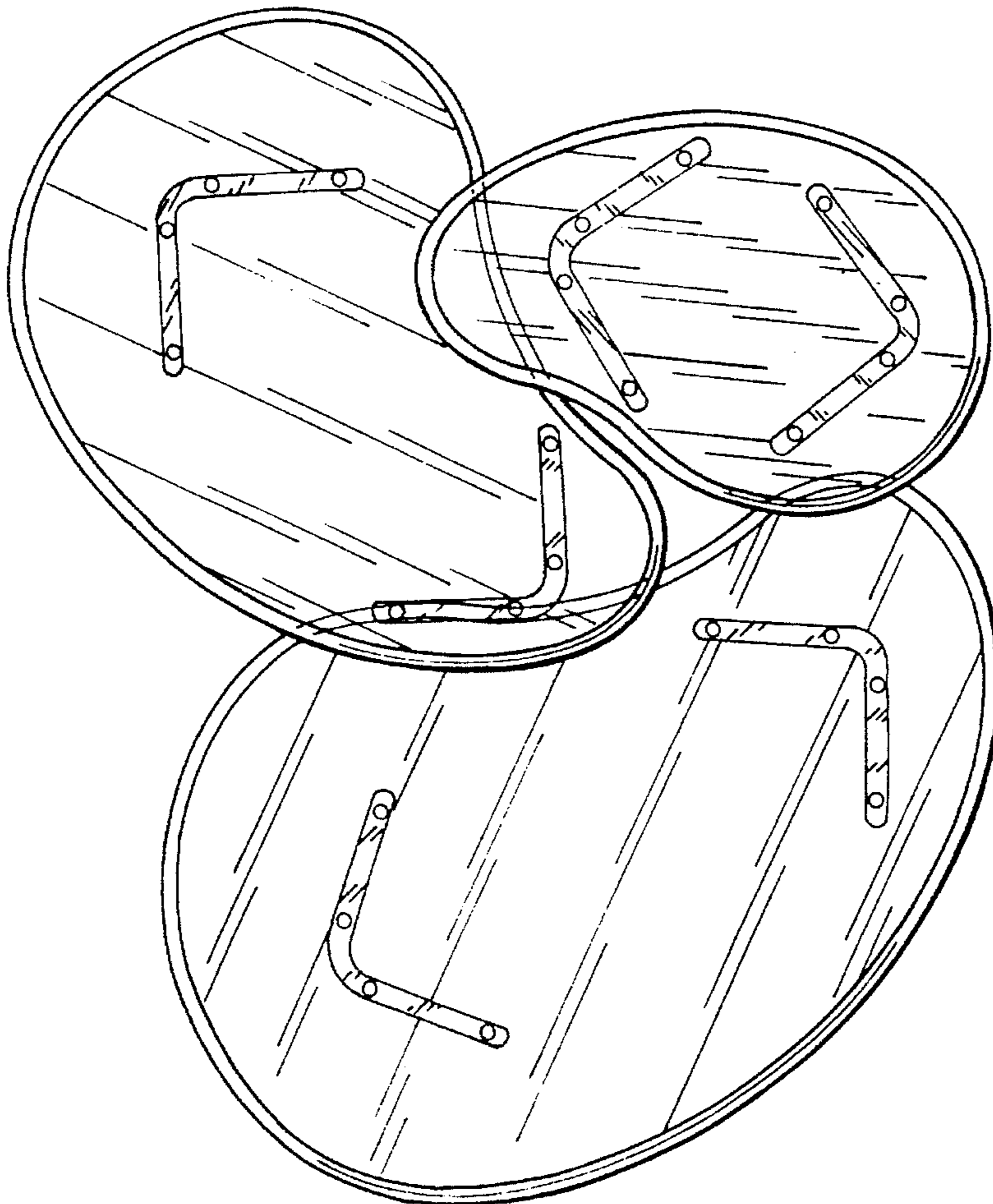
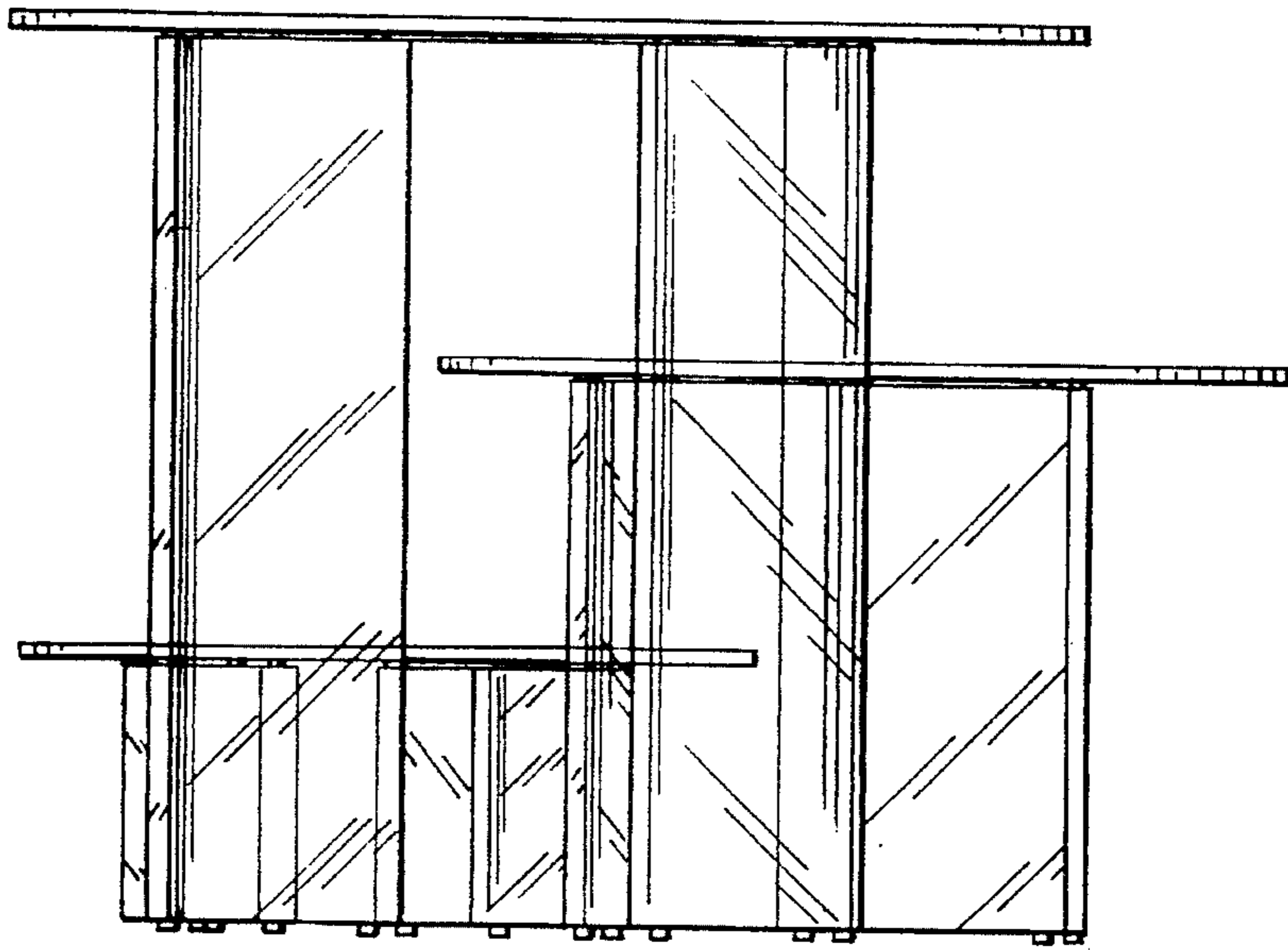


Fig. 5