



US00D366783S

United States Patent [19]

[11] Patent Number: **Des. 366,783**

Madimenos et al.

[45] Date of Patent: ****Feb. 6, 1996**

[54] **FREE STANDING WORK STATION**

[75] Inventors: **Peter Madimenos; Corrine Madimenos**, both of Chicago, Ill.

[73] Assignee: **atelier Adime' Internationale, Incorporated**, Chicago, Ill.

[**] Term: **14 Years**

[21] Appl. No.: **29,742**

[22] Filed: **Oct. 13, 1994**

[52] U.S. Cl. **D6/429**

[58] Field of Search D6/421-430, 431, D6/474, 396, 397; 312/194-196, 231, 233; 108/96, 59, 111, 60, 109, 92, 25

[56] **References Cited**

U.S. PATENT DOCUMENTS

D. 143,414	1/1946	Erickson	D6/430
D. 266,714	11/1982	Crespi	D6/425
D. 281,382	11/1985	Byrne et al.	D6/474
D. 289,715	5/1987	Kirch	D6/425
D. 300,486	4/1989	Kaplan et al.	D6/430
D. 305,185	12/1989	Cruz	D6/426
D. 339,482	9/1993	Naylor	D6/429

OTHER PUBLICATIONS

Brochure entitled "Clipper/CS-1," from New Space, Inc. (A Division of Gilbert International, Inc.), ©1994 [known to Applicants in Apr. 1993].

Brochure entitled "Sligh," from Homeworks [believed received by Applicants in Apr. 1993].

Primary Examiner—Carmen H. Vales-Lado
Attorney, Agent, or Firm—Wallenstein & Wagner, Ltd.

[57] **CLAIM**

The ornamental design for a "free standing work station," as shown and described.

DESCRIPTION

FIG. 1 is a top perspective view of a free standing work station showing our new design;
 FIG. 2 is a left side elevational view thereof;
 FIG. 3 is a right side elevational view thereof;
 FIG. 4 is a top plan view thereof;
 FIG. 5 is a front elevational view thereof;
 FIG. 6 is a rear elevational view thereof;
 FIG. 7 is a bottom plan view thereof;
 FIG. 8 is a top perspective view in open position;
 FIG. 9 is a top plan view thereof;
 FIG. 10 is a front elevational view thereof;
 FIG. 11 is a right side elevational view thereof;
 FIG. 12 is a left side elevational view thereof;
 FIG. 13 is a rear elevational view thereof; and,
 FIG. 14 is a bottom plan view thereof.

1 Claim, 7 Drawing Sheets

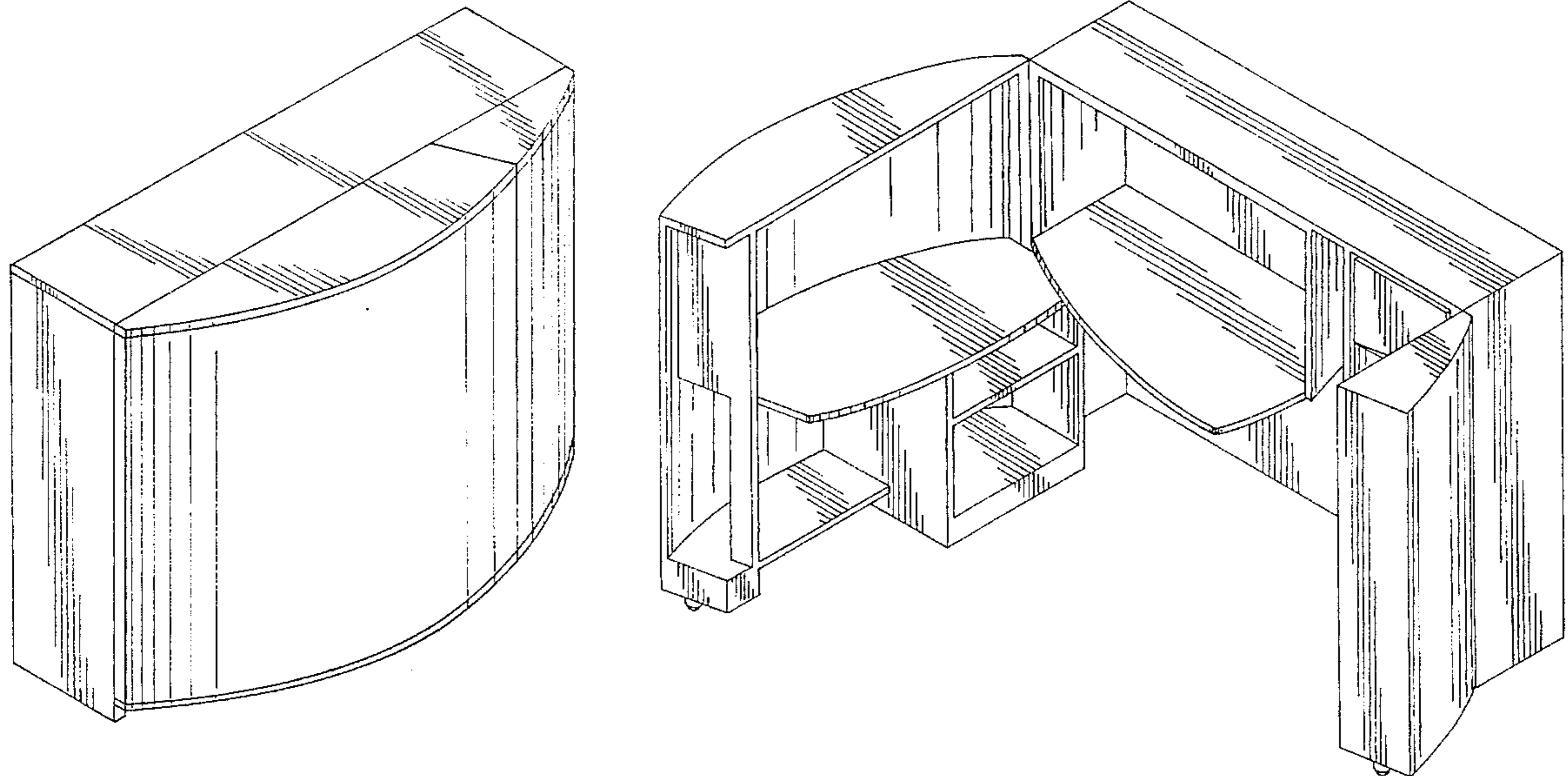


FIG. 1

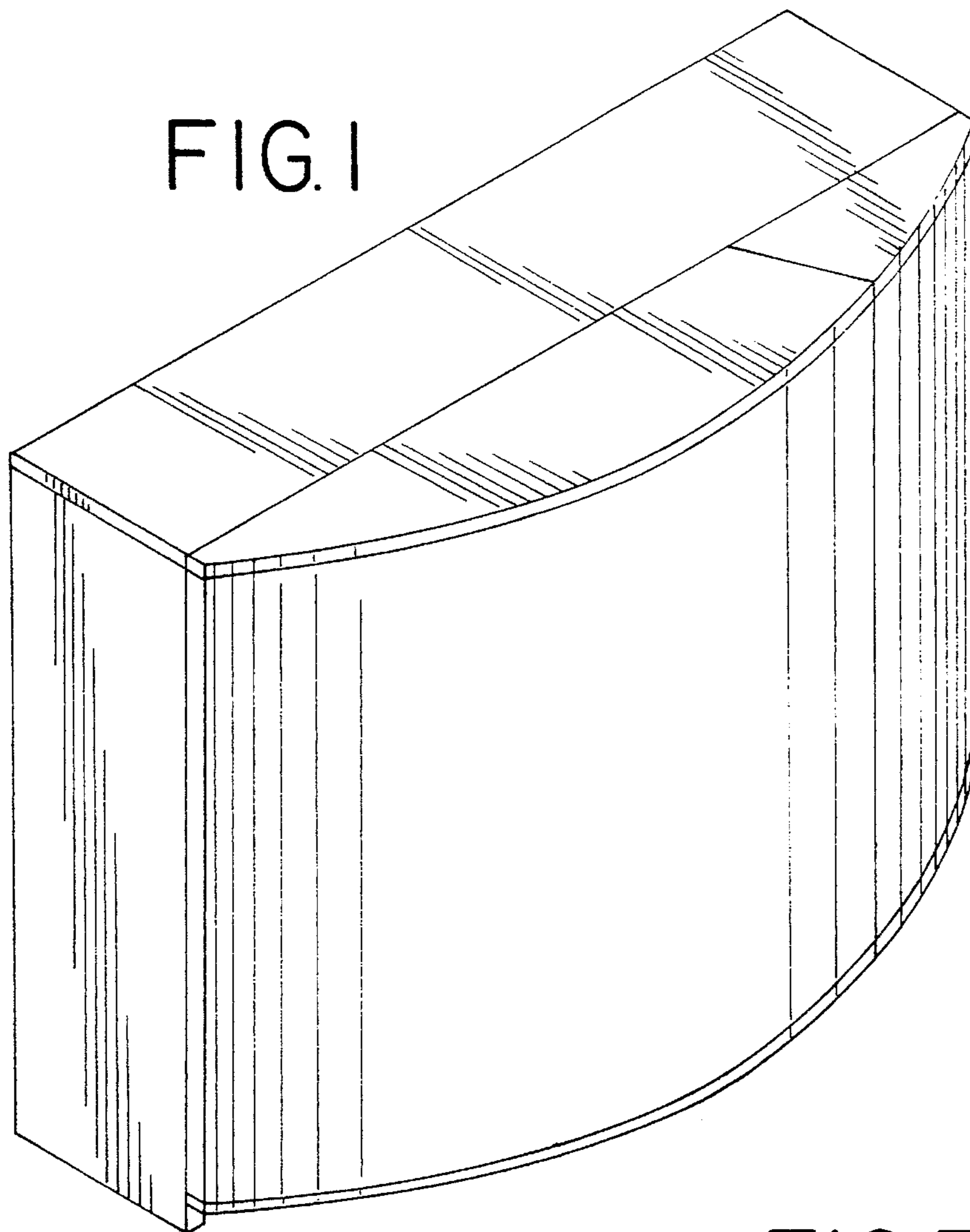


FIG. 3

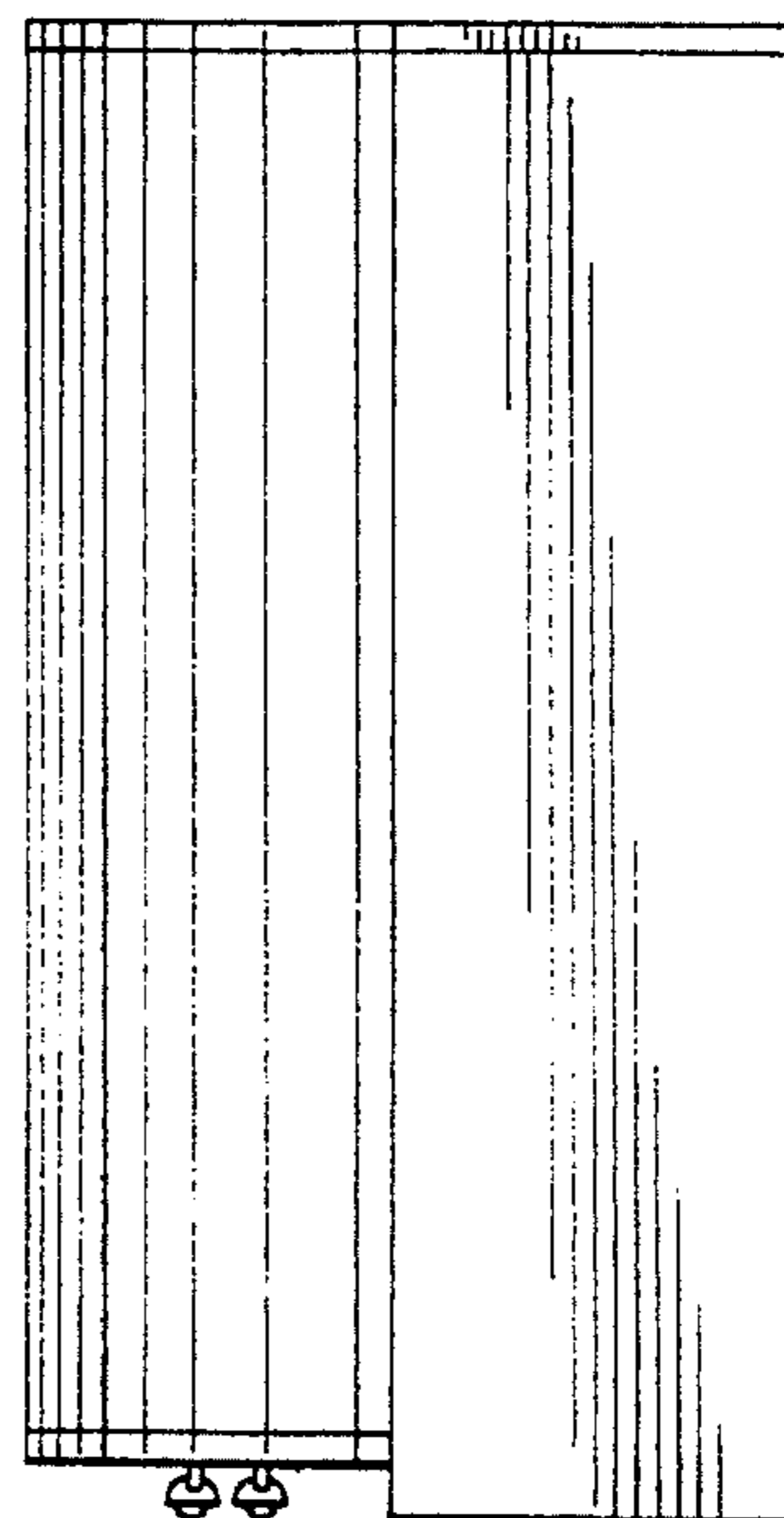


FIG. 2

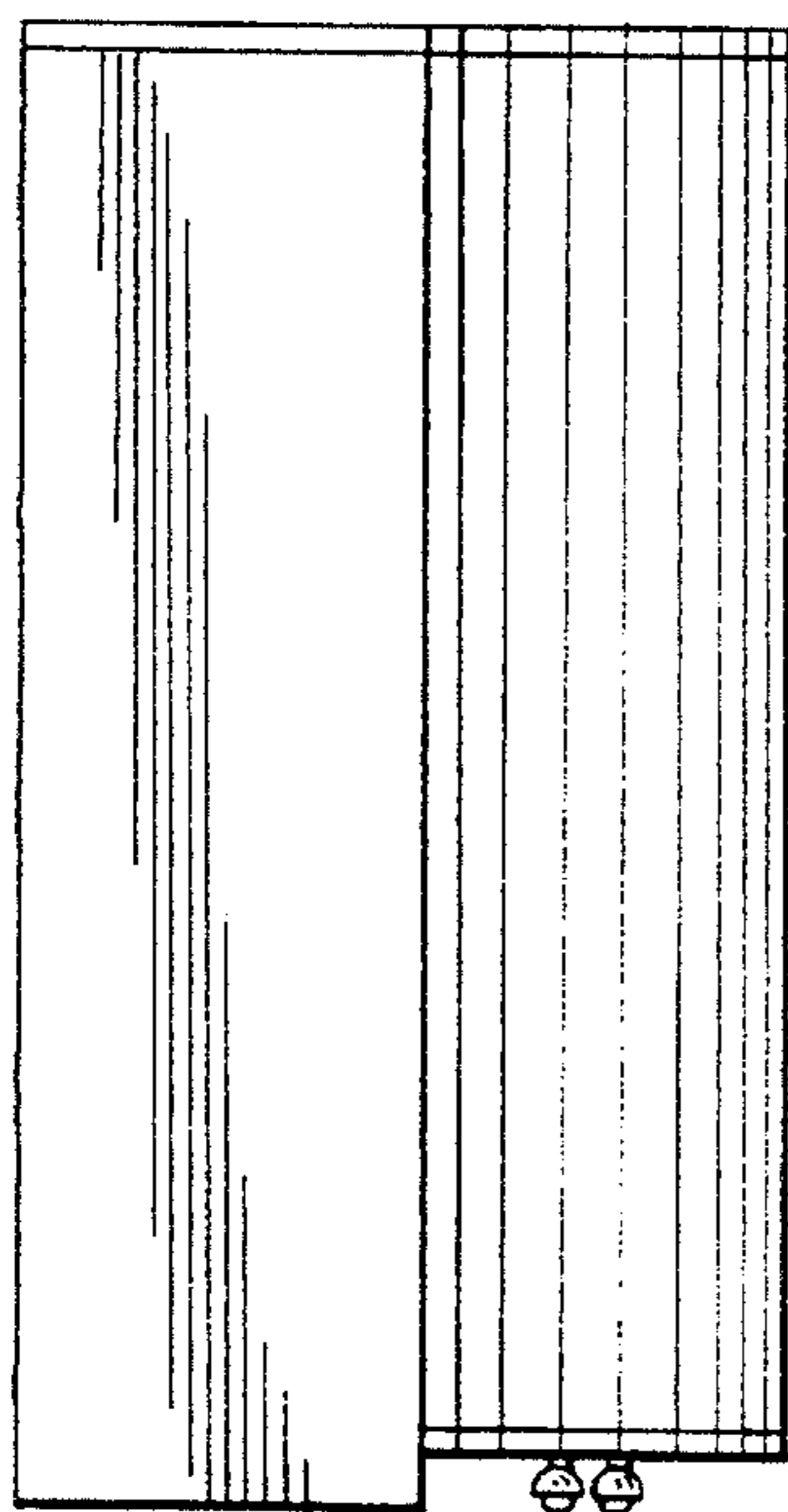


FIG. 4

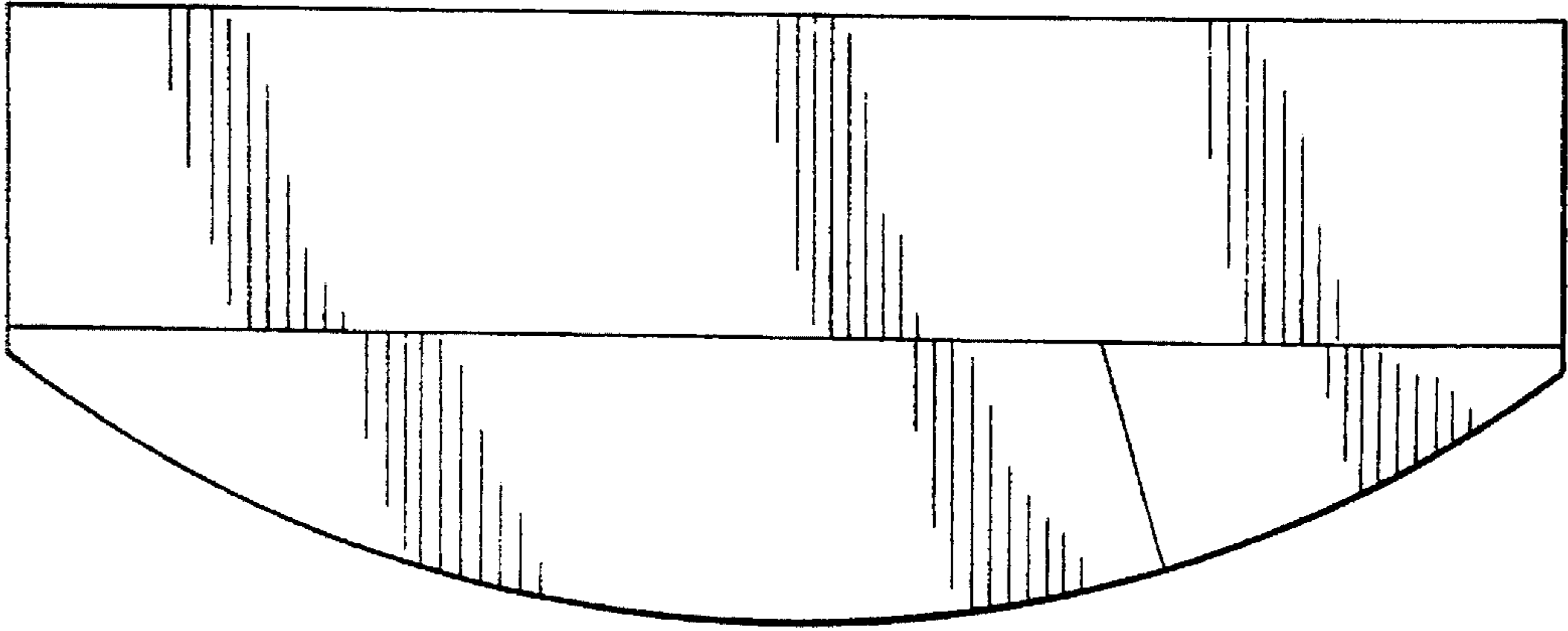


FIG. 5

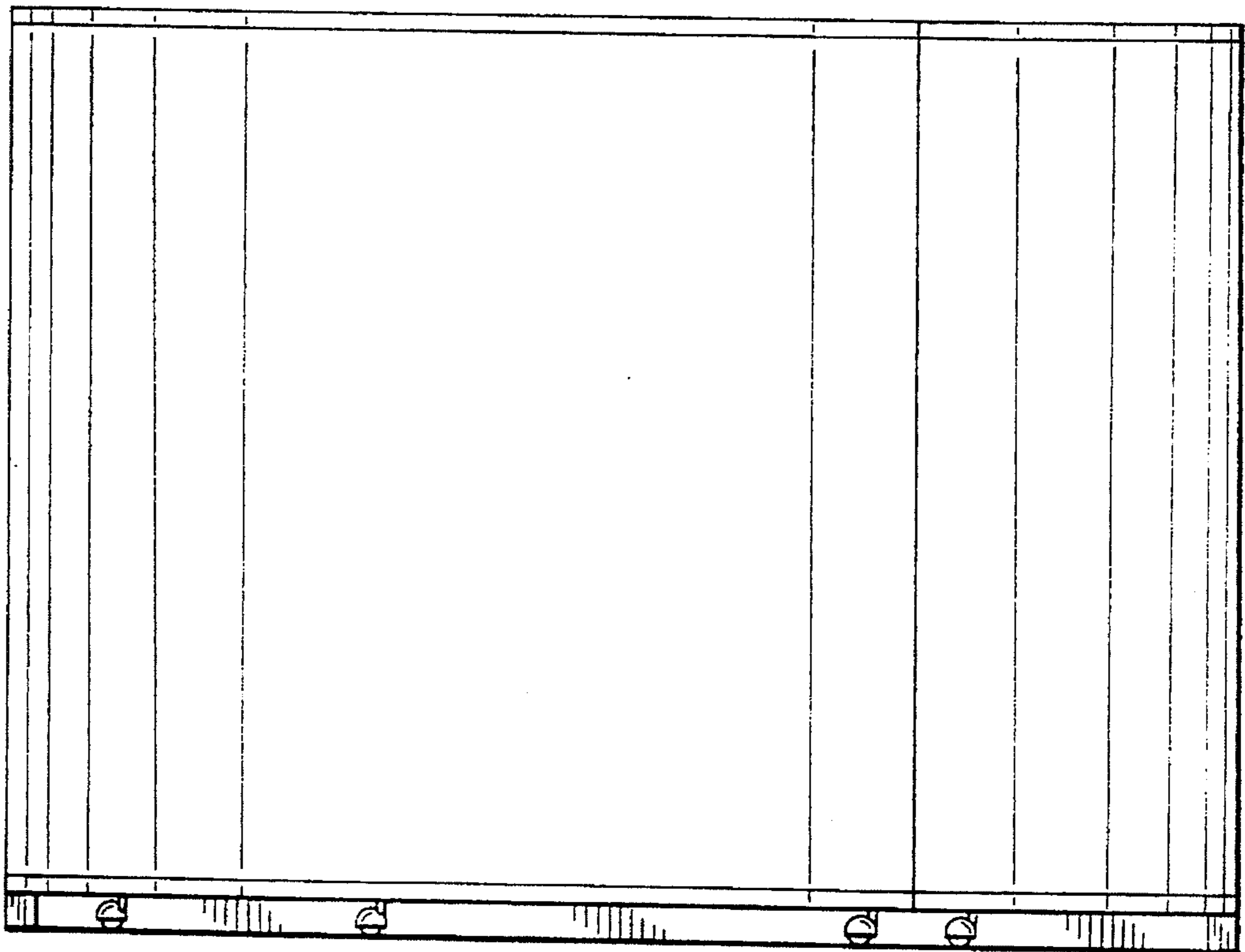


FIG. 6

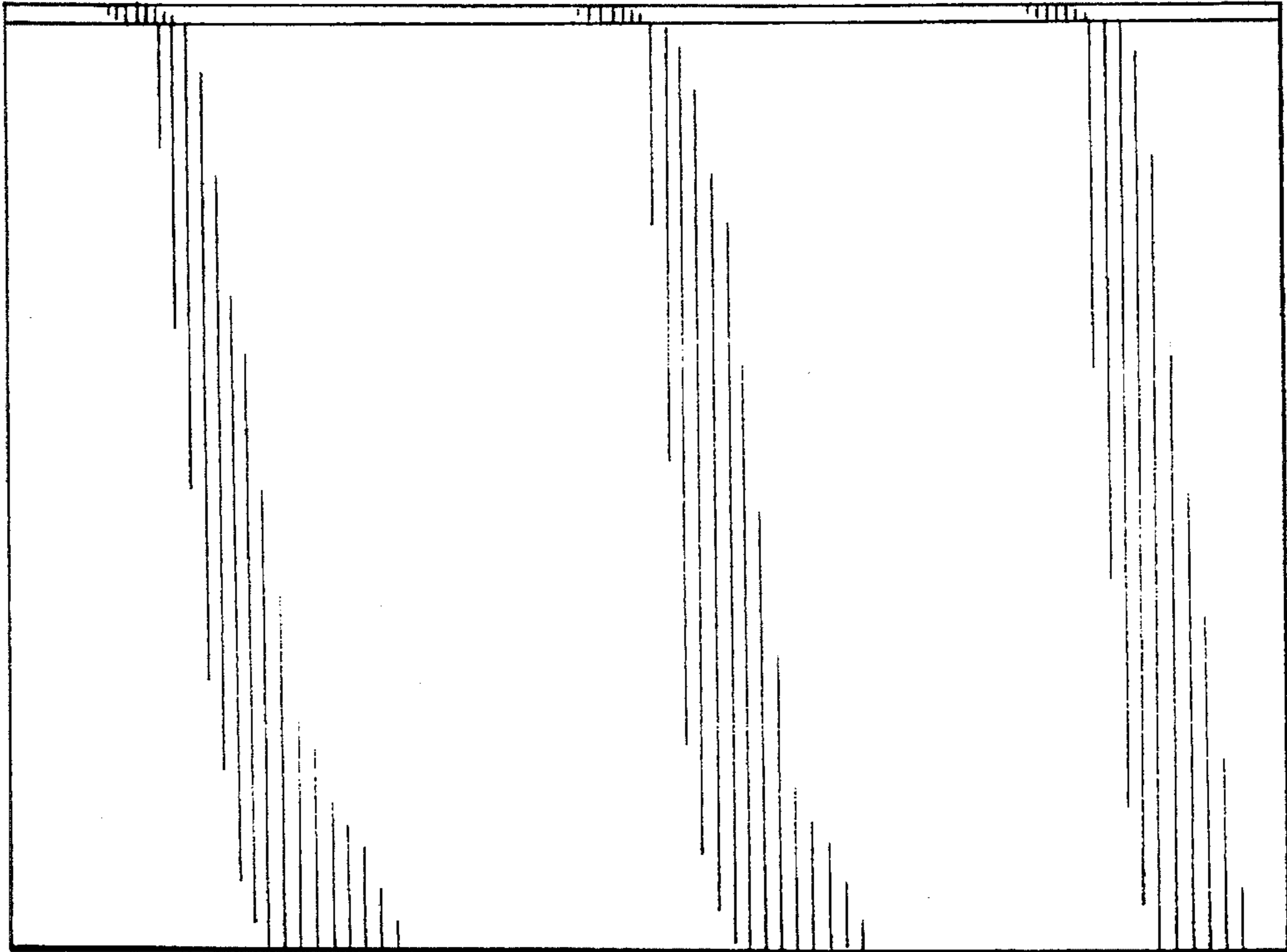
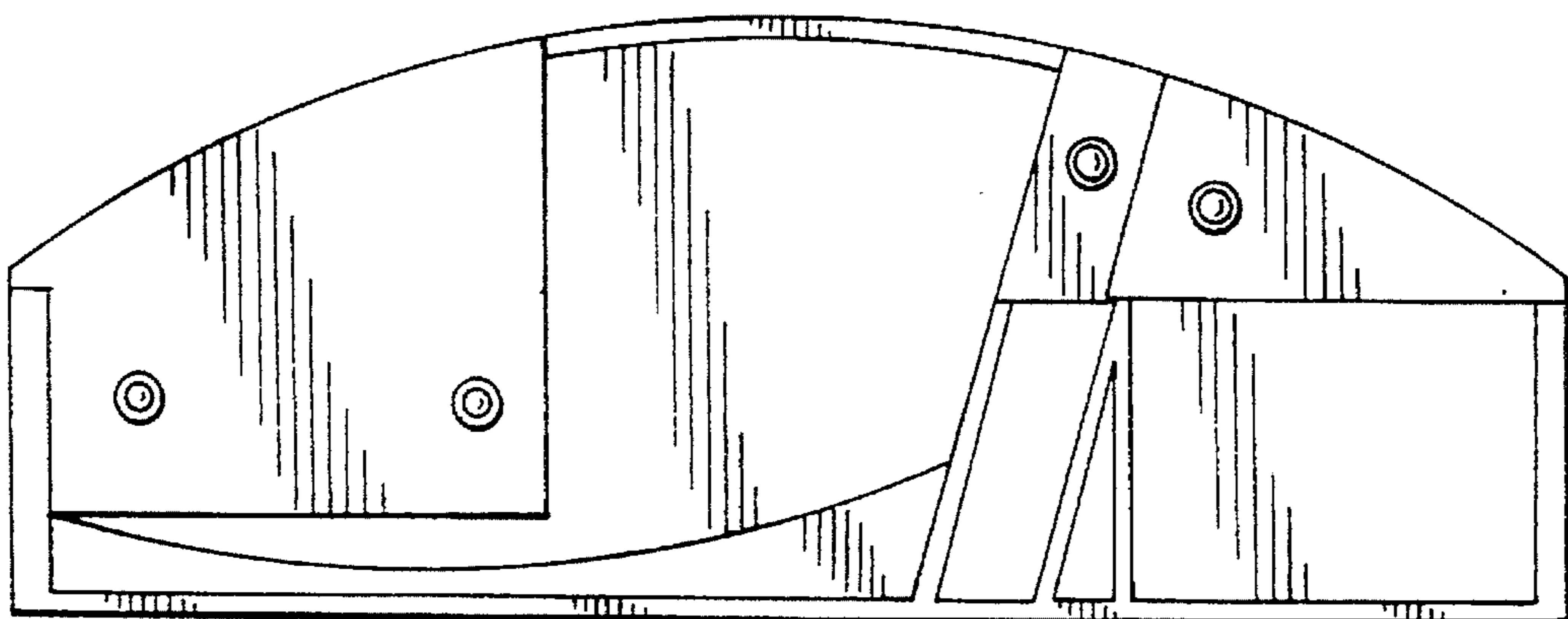


FIG. 7



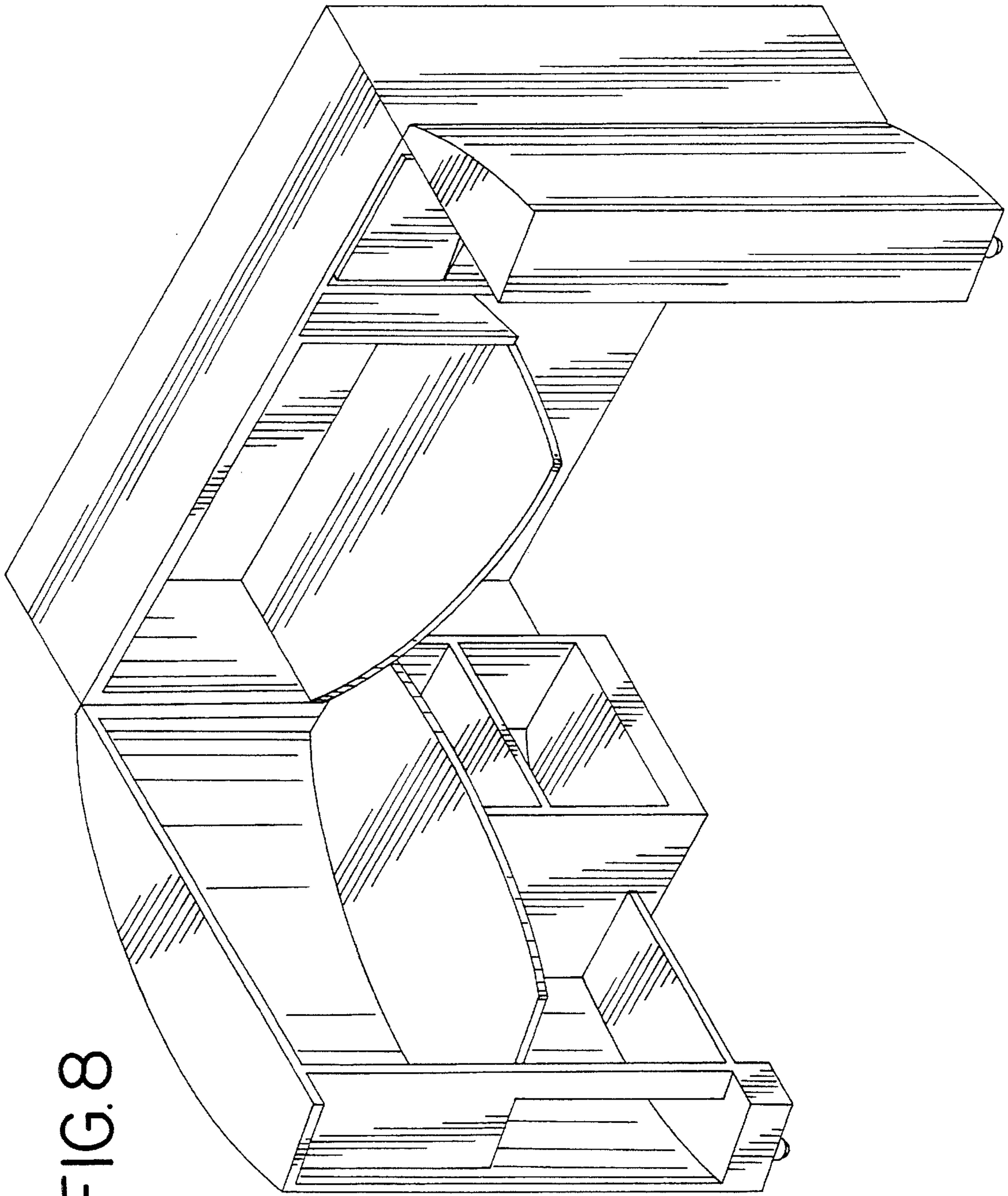


FIG. 8

FIG. 9

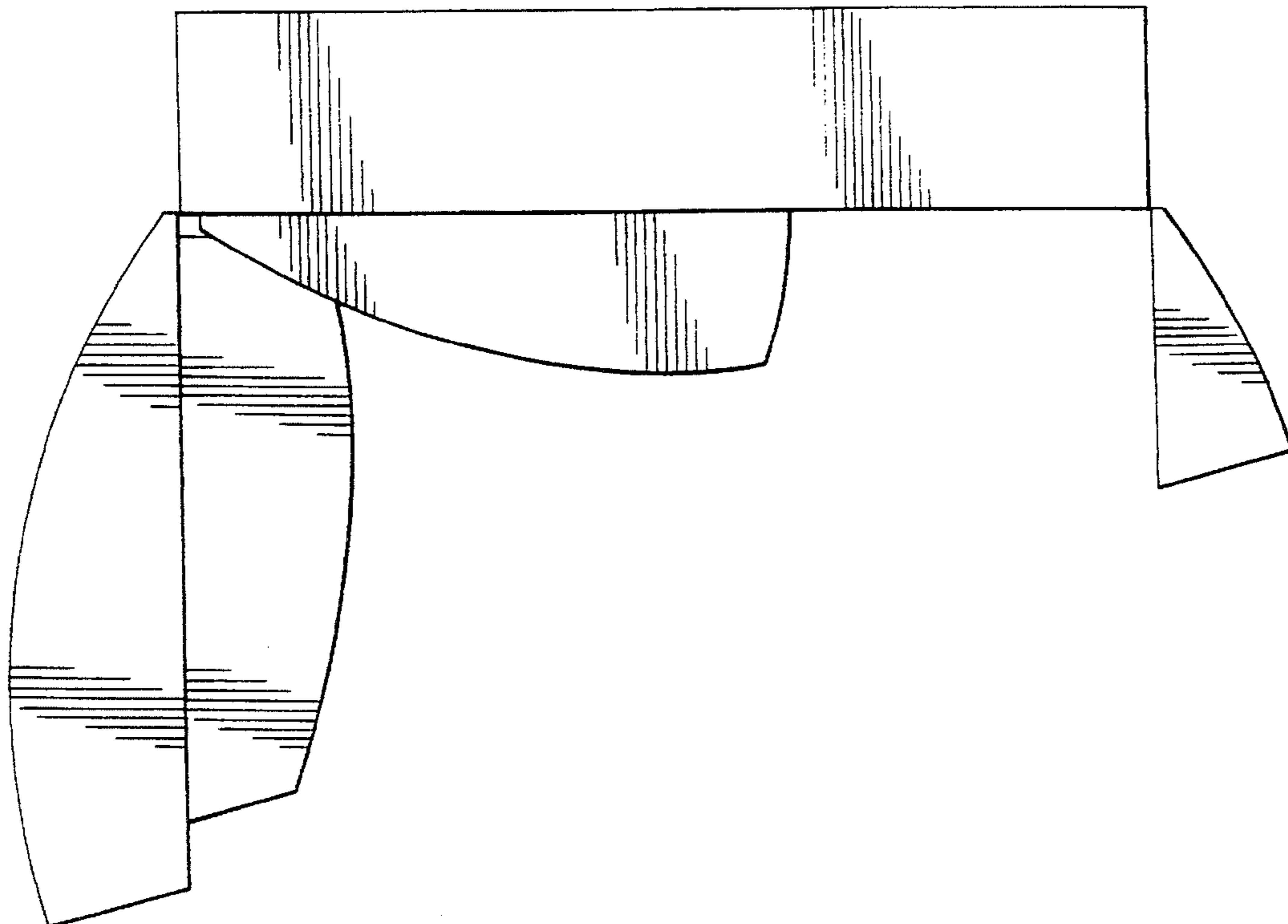


FIG. 10

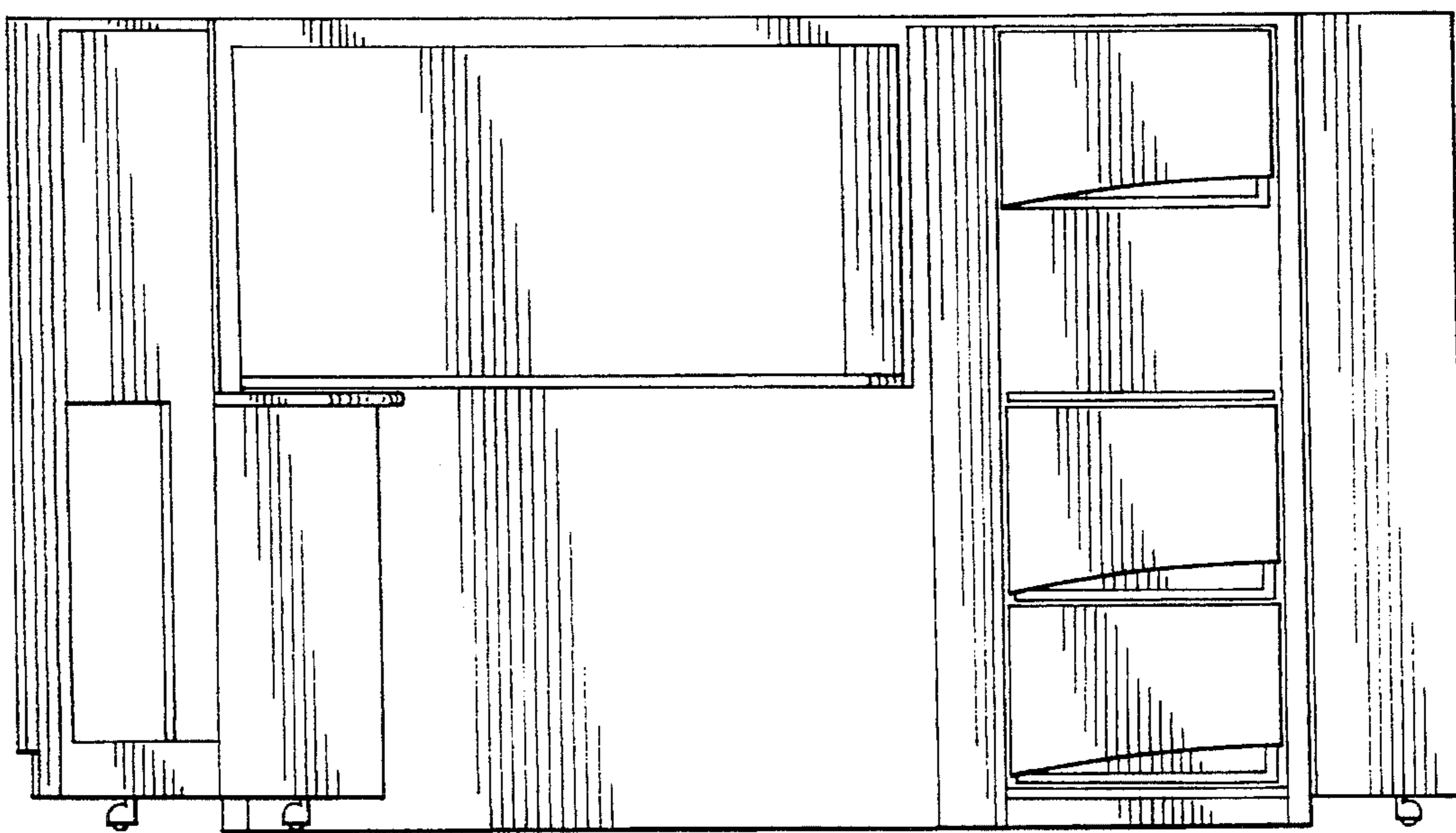


FIG. 11

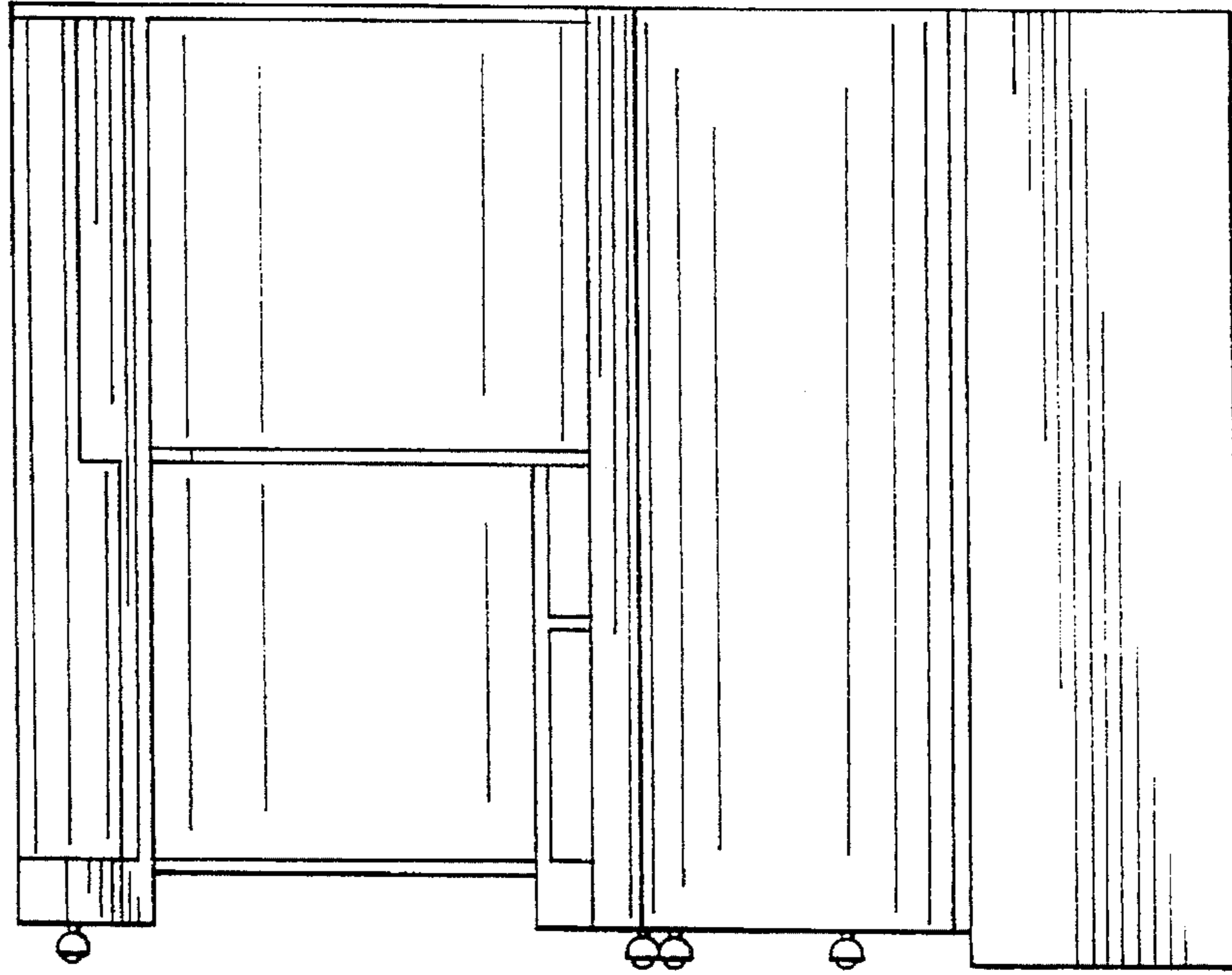


FIG. 12

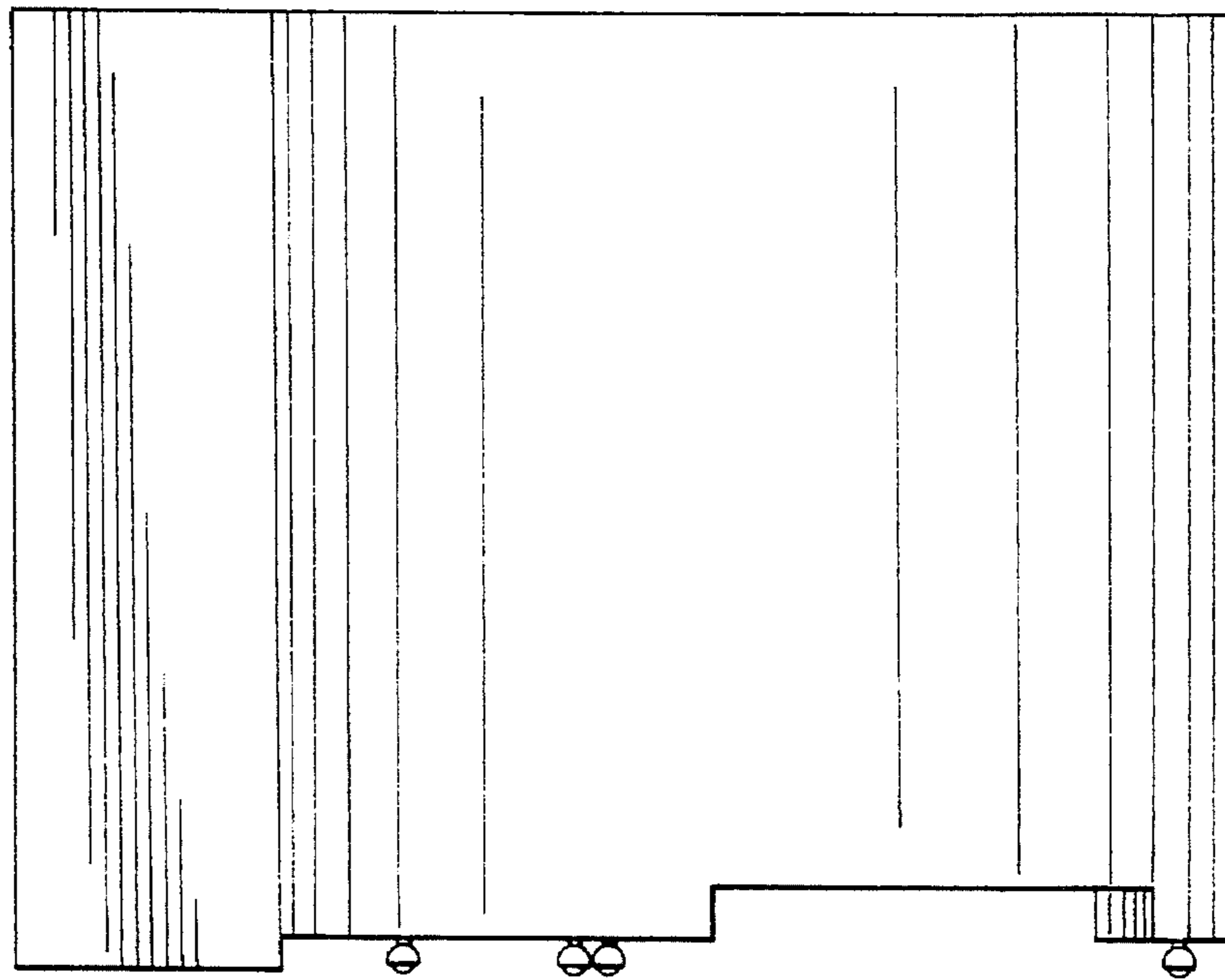


FIG. 13

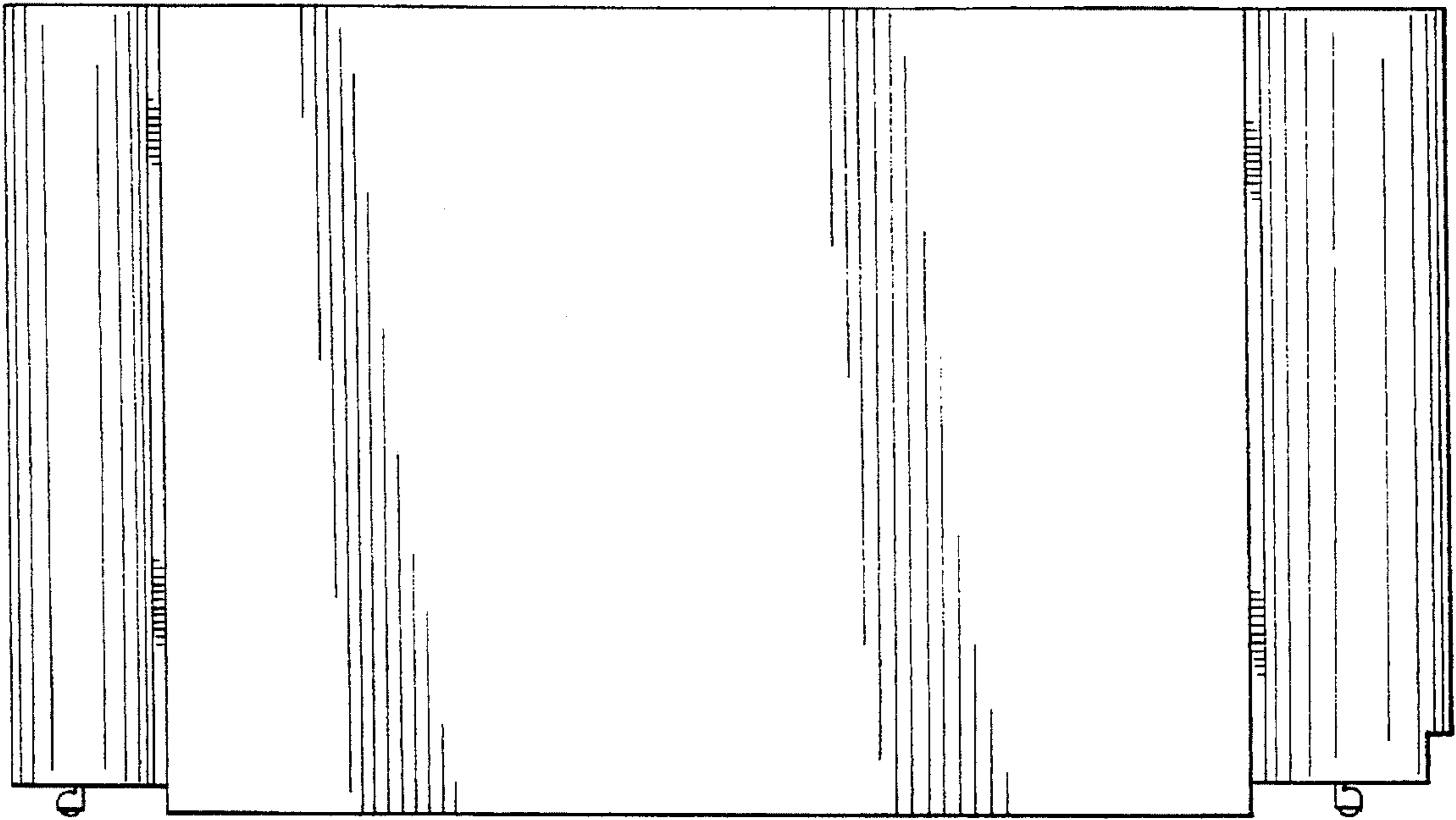


FIG. 14

