



US00D366782S

United States Patent [19]
Bonazza

[11] **Patent Number:** **Des. 366,782**
[45] **Date of Patent:** ****Feb. 6, 1996**

[54] **MANICURING TABLE**

[75] Inventor: **Claudio Bonazza**, Mission Viejo, Calif.
[73] Assignee: **Venice Trading Co., Inc.**, Costa Mesa, Calif.
[**] Term: **14 Years**

[21] Appl. No.: **7,531**
[22] Filed: **Apr. 23, 1993**
[52] U.S. Cl. **D6/427**
[58] Field of Search **D6/396, 397, 422-428; 312/204, 209; D28/61; 132/333**

[56] **References Cited**

U.S. PATENT DOCUMENTS

D. 142,262	8/1945	Paden	D6/397
D. 144,590	4/1946	Schutes	D6/397
D. 151,111	9/1948	Westlake	D6/427
D. 164,425	9/1951	Jones	D6/427
D. 168,027	10/1952	Garrett	D6/427
D. 277,249	1/1985	Dunbar	D6/483
D. 327,184	6/1992	Rosen	D6/427
D. 327,789	7/1992	Caturla et al.	D6/422

OTHER PUBLICATIONS

Virtue Products Cat #B-42 for the Beauty Salon, 1942, p. 12; cabinet dressing table, left on page.

Primary Examiner—Carmen H. Vales-Lado
Attorney, Agent, or Firm—Christie, Parker & Hale

[57] **CLAIM**

The ornamental design for a manicuring table, as shown and described.

DESCRIPTION

FIG. 1 is a left front perspective view of a first embodiment of the manicuring table having a table portion extending from the left side of a cabinet portion of the design; FIG. 2 is a top view of the embodiment of FIG. 1; FIG. 3 is a front view of the embodiment of FIG. 1; FIG. 4 is a left side view of the embodiment of FIG. 1; FIG. 5 is a right side view of the embodiment of FIG. 1; FIG. 6 is a rear view of the embodiment of FIG. 1; and, FIG. 7 is a left front perspective view of a second embodiment of the invention employing a second table portion extending from the right side of the cabinet portion.

1 Claim, 5 Drawing Sheets

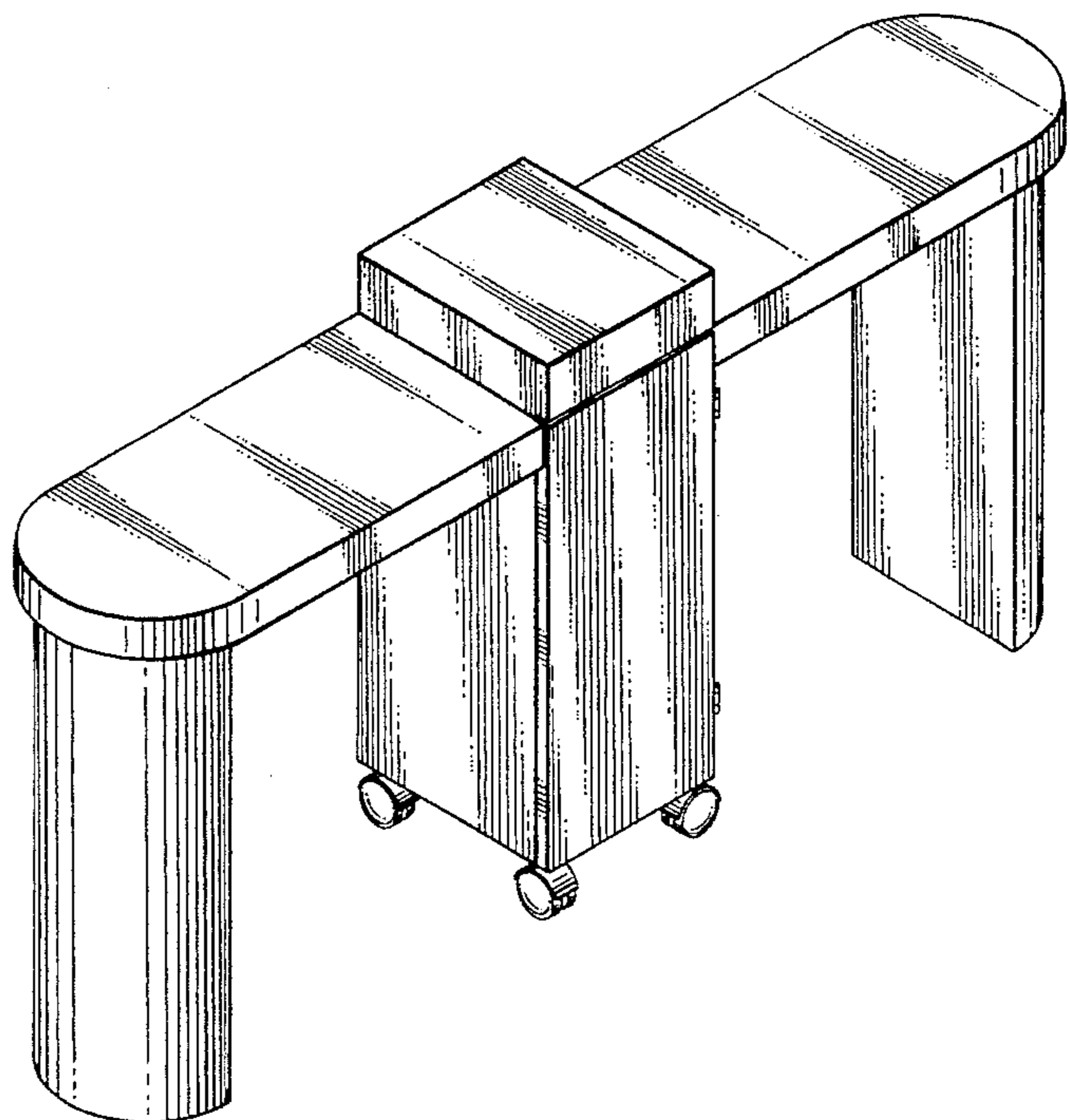
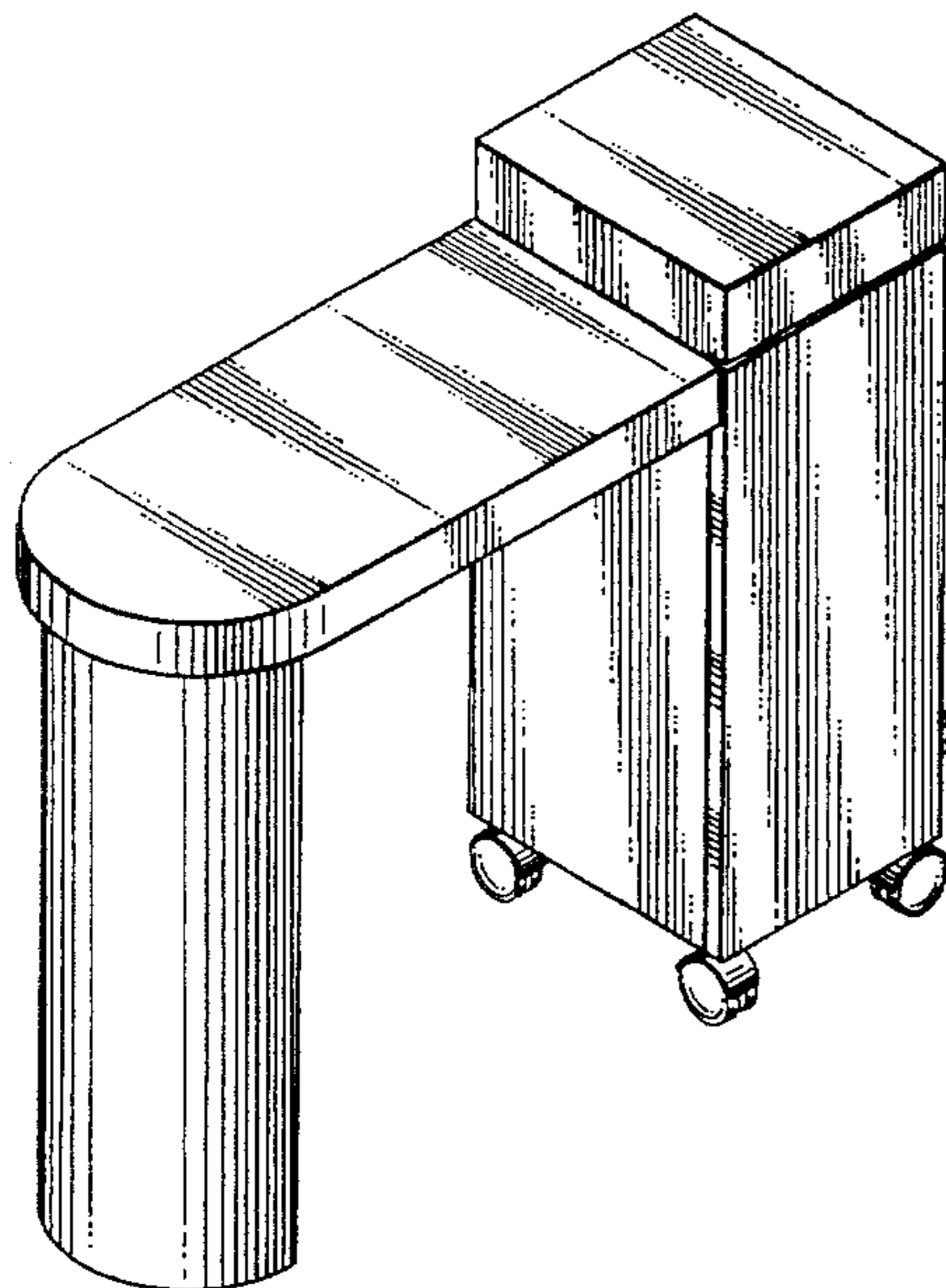


Fig. 1

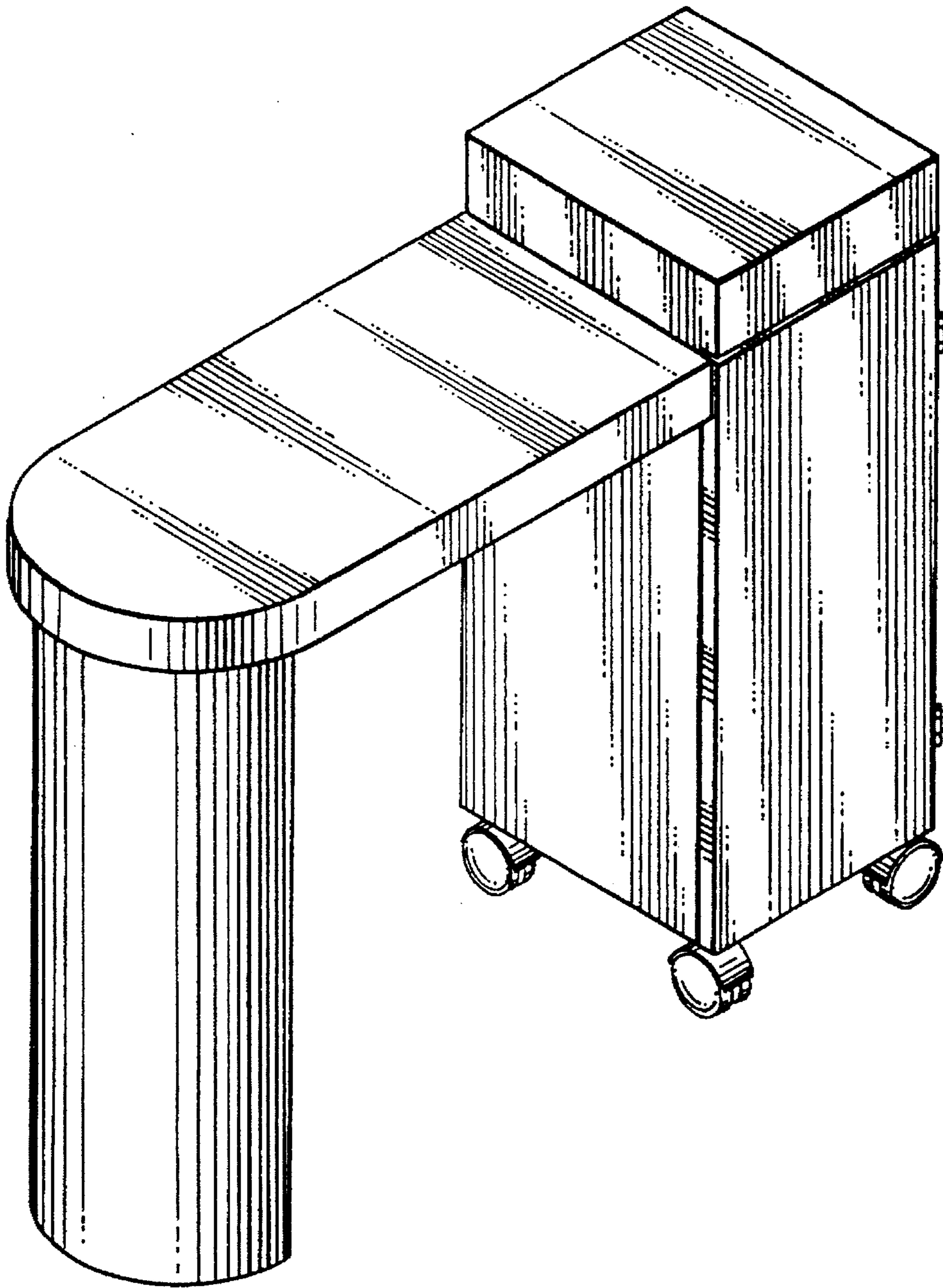


Fig. 2

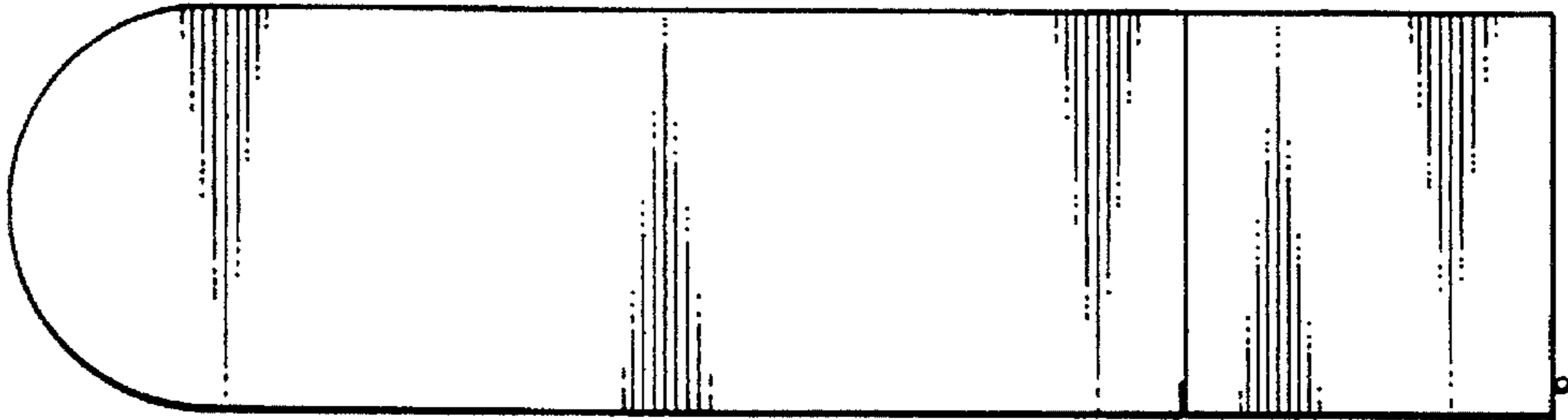


Fig. 3

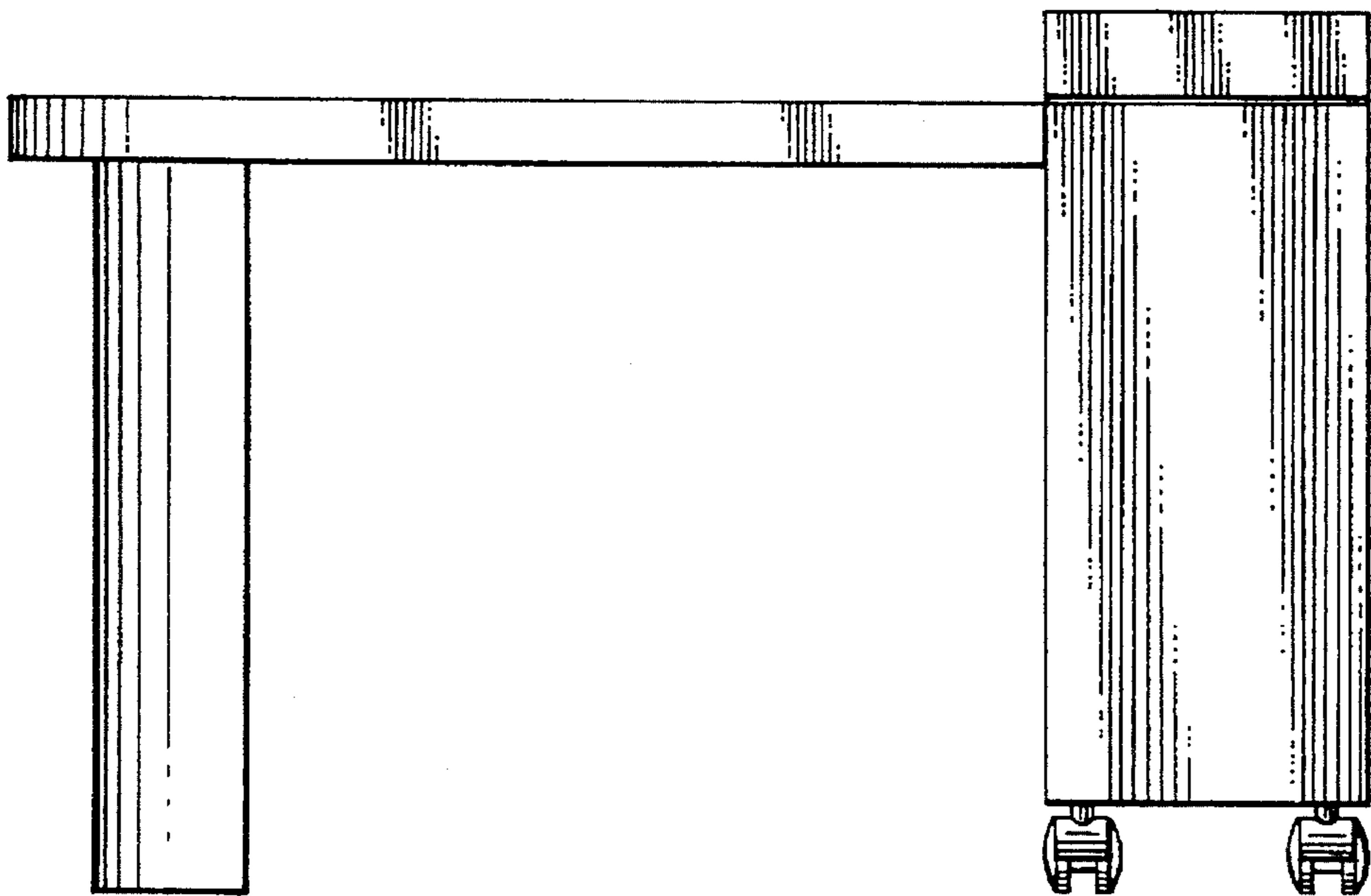


Fig. 4

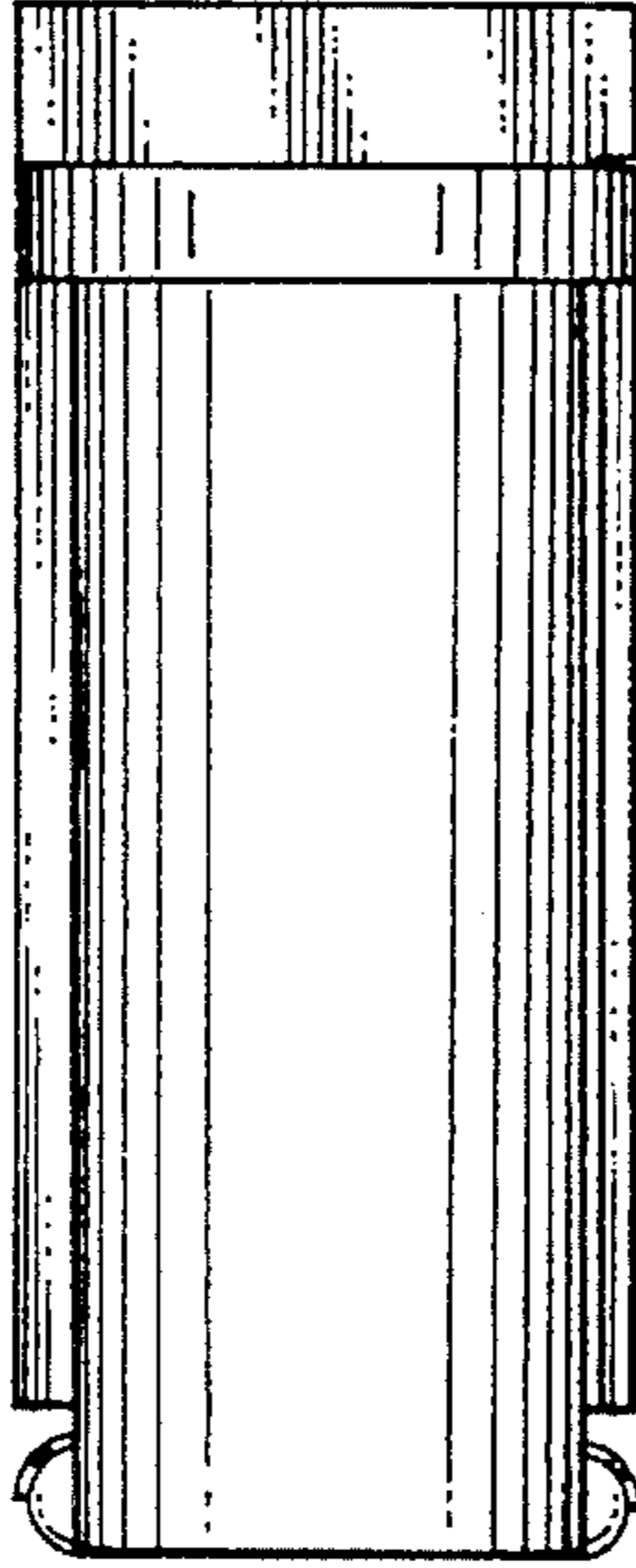


Fig. 5

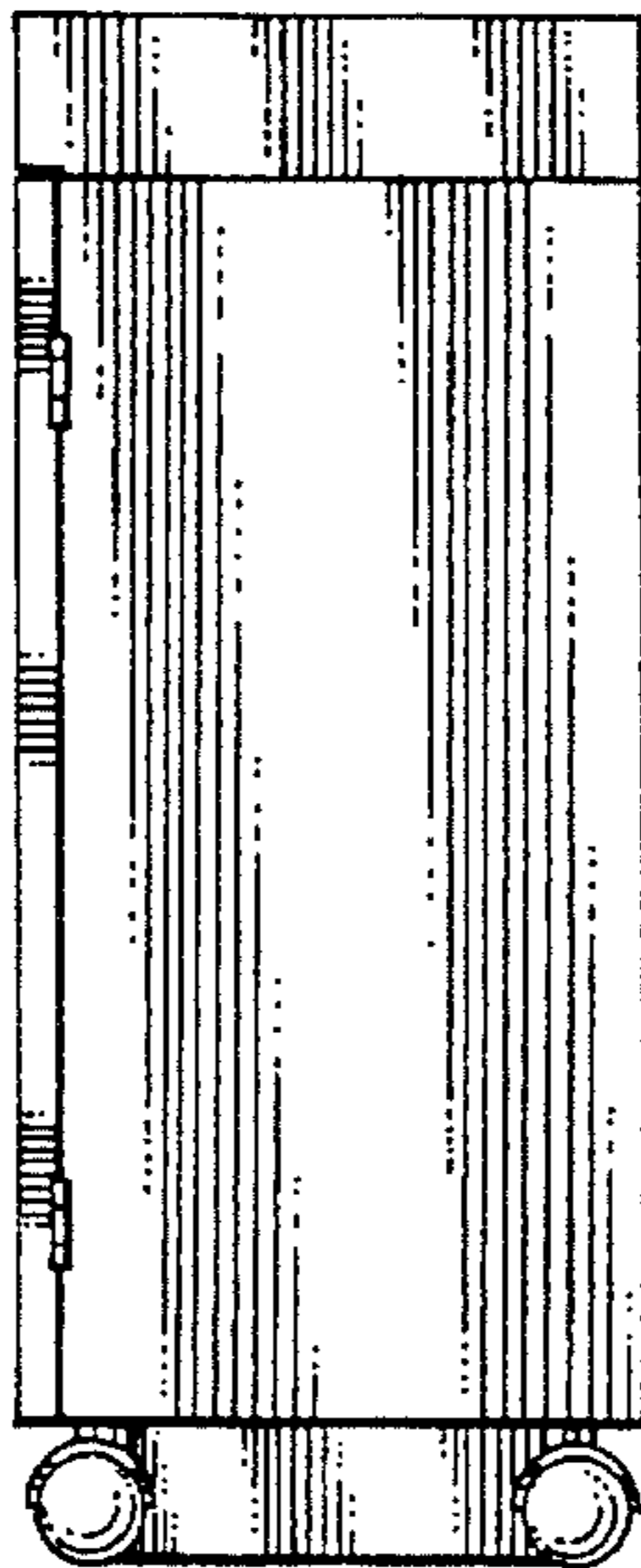


Fig. 6

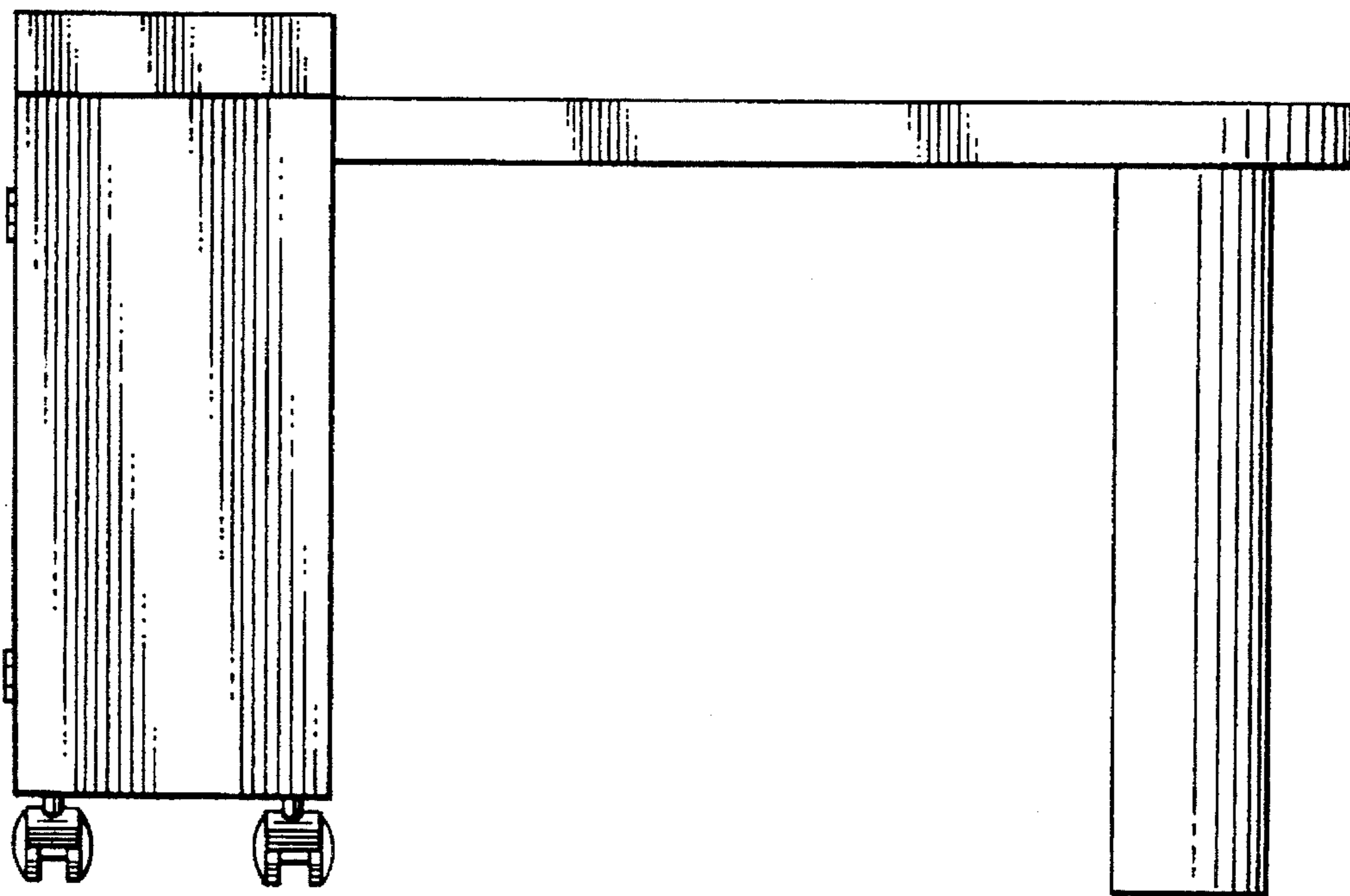


Fig. 7

