



US00D366781S

United States Patent [19] Cartwright

[11] **Patent Number: Des. 366,781**
[45] **Date of Patent: **Feb. 6, 1996**

[54] **CANTILEVERED DESK**
[76] Inventor: **Eugene G. Cartwright**, 13504
Francisquito Ave., Suite E, Baldwin
Park, Calif. 91706

2,857,228 10/1958 Koett 108/115
2,902,325 1/1959 Knoblock et al. .
3,217,673 11/1965 Knoblock .
3,247,811 4/1966 Bauder 108/115

[**] Term: **14 Years**

FOREIGN PATENT DOCUMENTS

1422417 11/1965 France .

[21] Appl. No.: **31,255**

Primary Examiner—Carmen H. Vales-Lado
Attorney, Agent, or Firm—Stephen R. Greiner

[22] Filed: **Nov. 18, 1994**

[52] U.S. Cl. **D6/422**

[57] CLAIM

[58] **Field of Search** D6/420-431, 406,
D6/396, 338, 342; 312/194-196; 108/115,
94; 248/444.1, 441.1

The ornamental design for a cantilevered desk, as shown and described.

DESCRIPTION

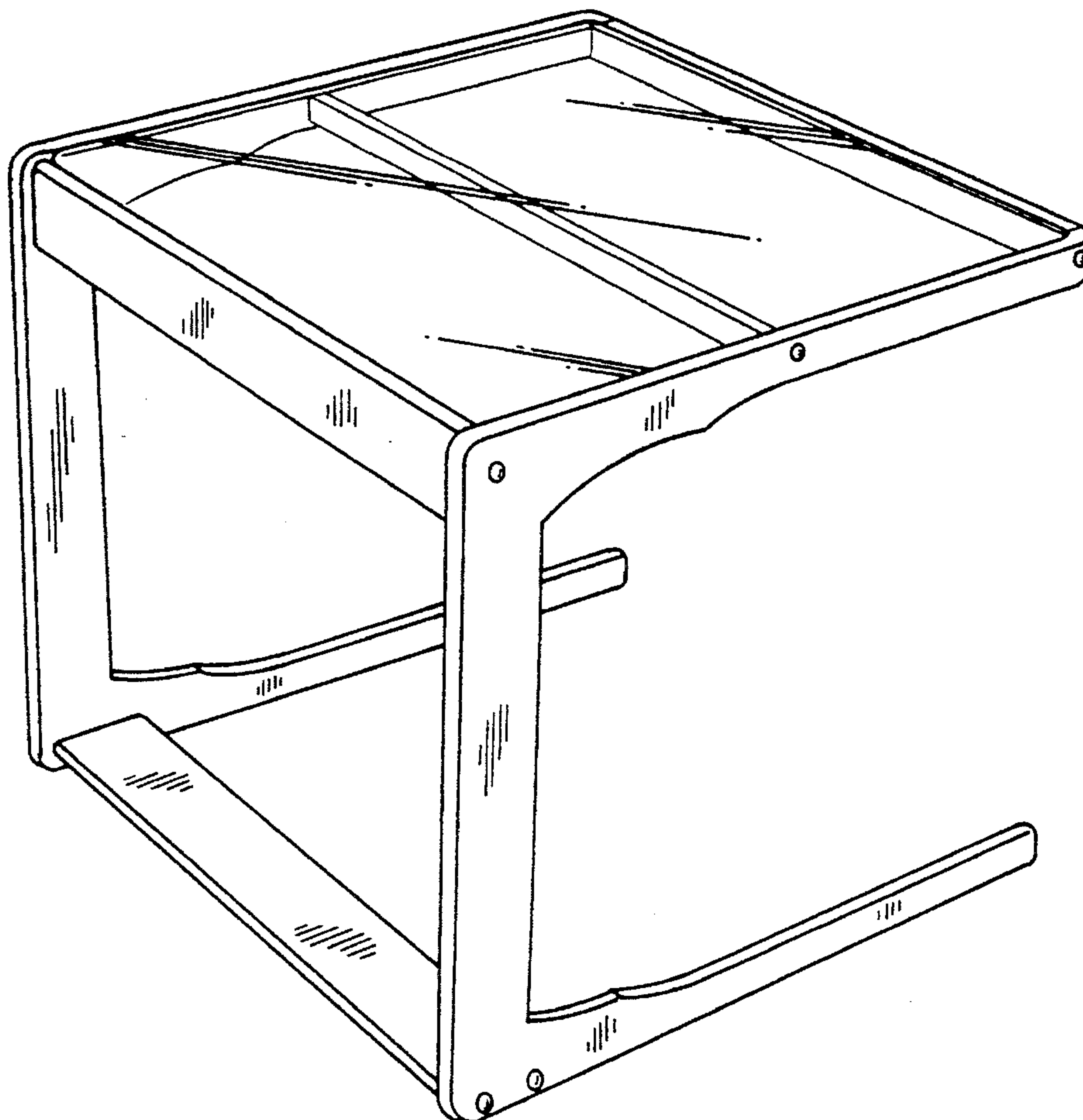
[56] References Cited

U.S. PATENT DOCUMENTS

- D. 235,834 7/1975 Payne et al. .
- D. 241,490 9/1976 Karlin D6/428
- D. 244,734 6/1977 Laroye D6/428
- D. 261,837 11/1981 Sonder et al. .
- D. 290,316 6/1987 Chiasson D6/406
- D. 290,706 7/1987 Peort et al. D6/406 X
- D. 299,601 1/1989 Campbell .
- D. 307,519 1/1990 Wright .
- 2,016,850 10/1935 Bittermann D6/430 X

FIG. 1 is a perspective view of a cantilevered desk showing my new design;
FIG. 2 is a front elevational view thereof;
FIG. 3 is a rear elevational view thereof;
FIG. 4 is a top view thereof;
FIG. 5 is a right side elevational view thereof with the left side being a mirror image; and,
FIG. 6 is a bottom view thereof.

1 Claim, 3 Drawing Sheets



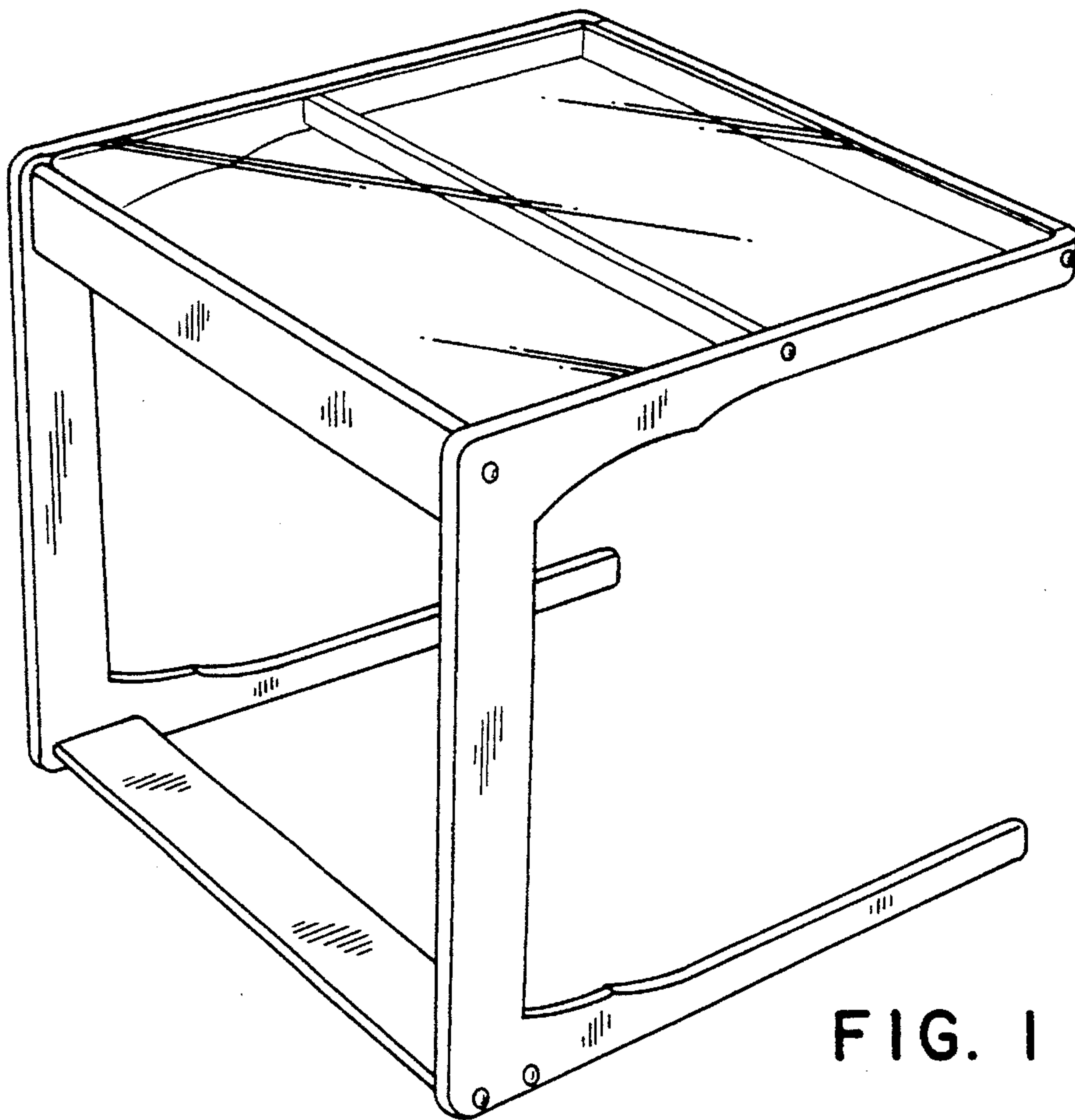


FIG. 1

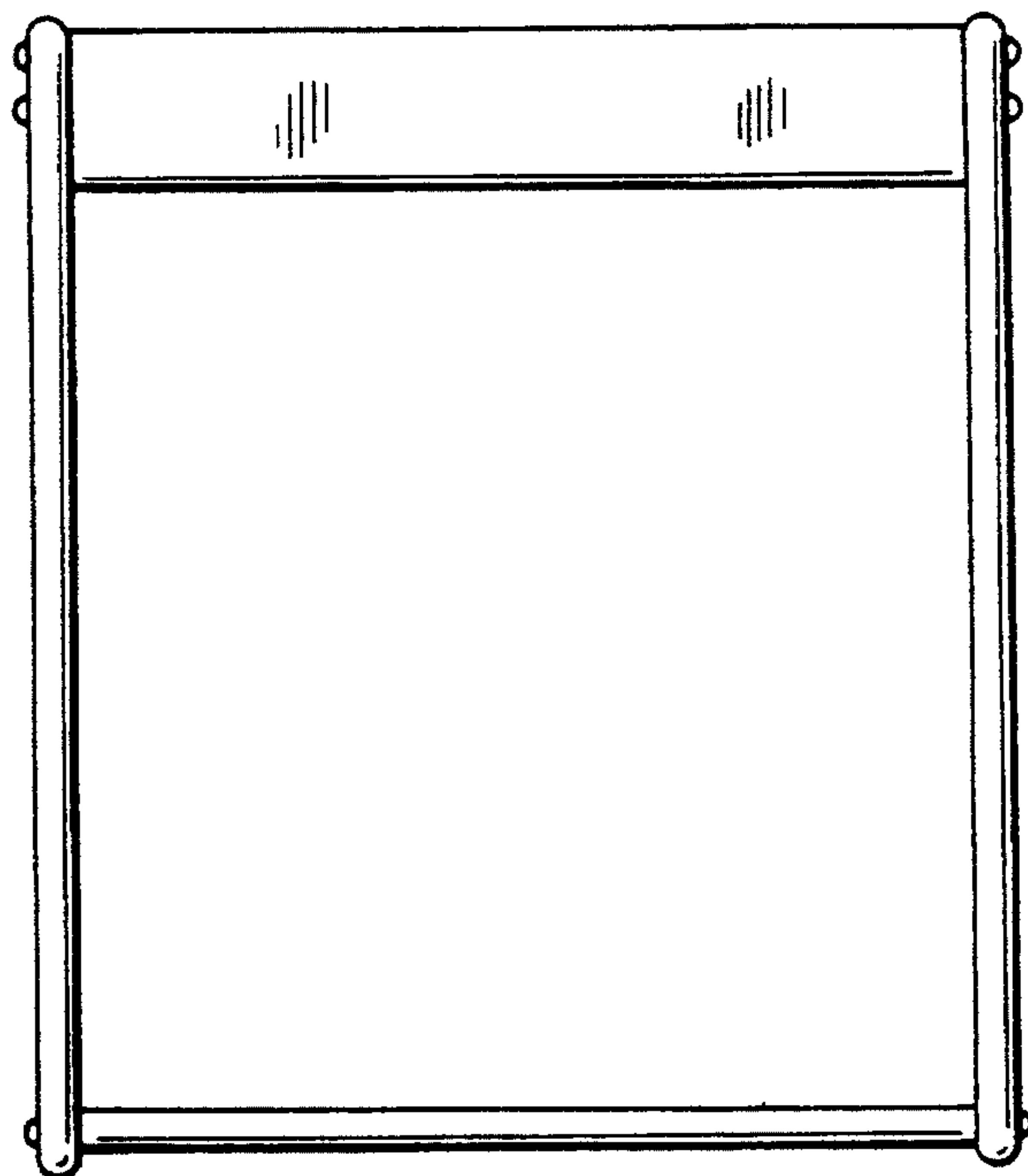


FIG. 2

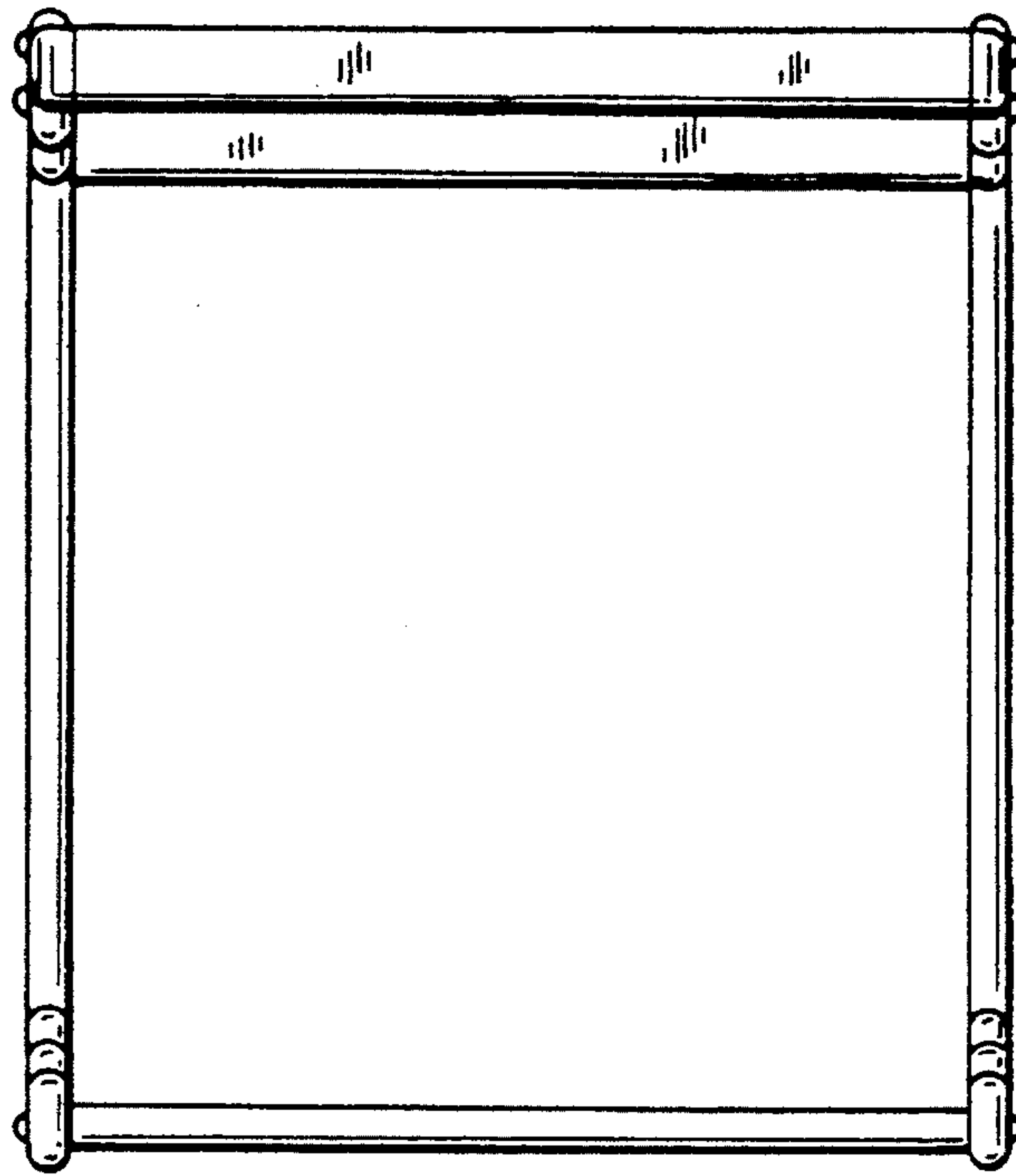


FIG. 3

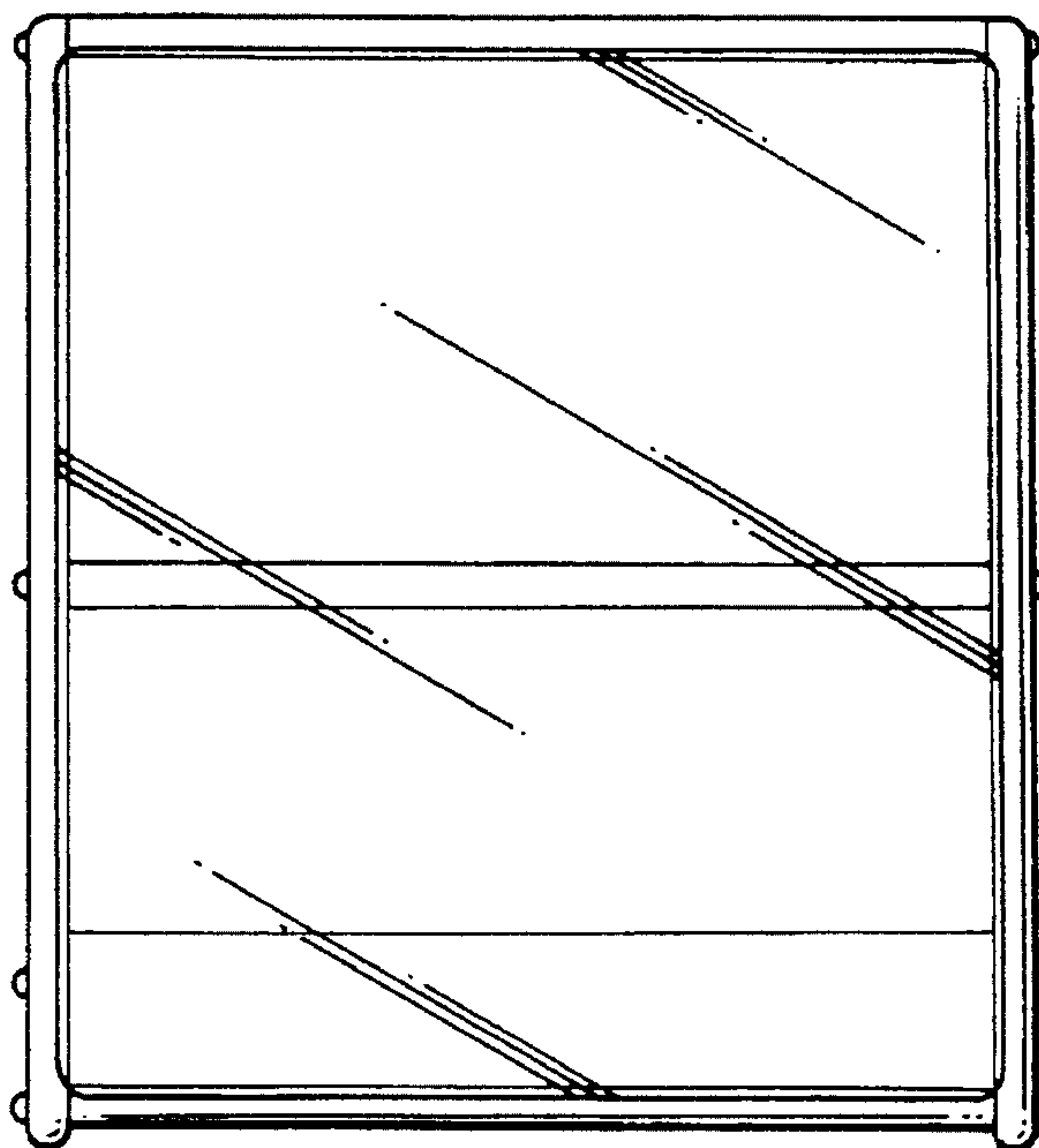


FIG. 4

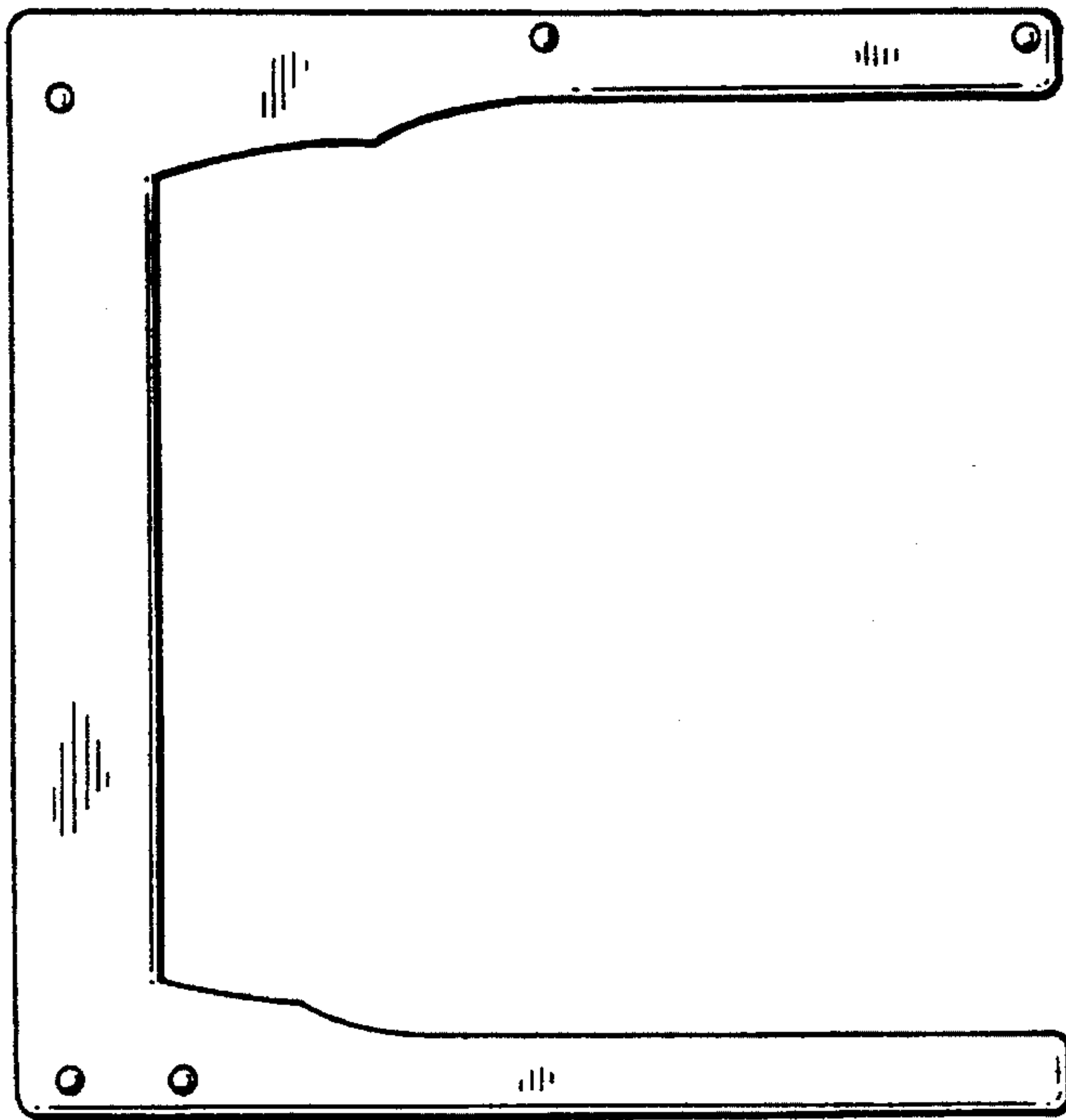


FIG. 5

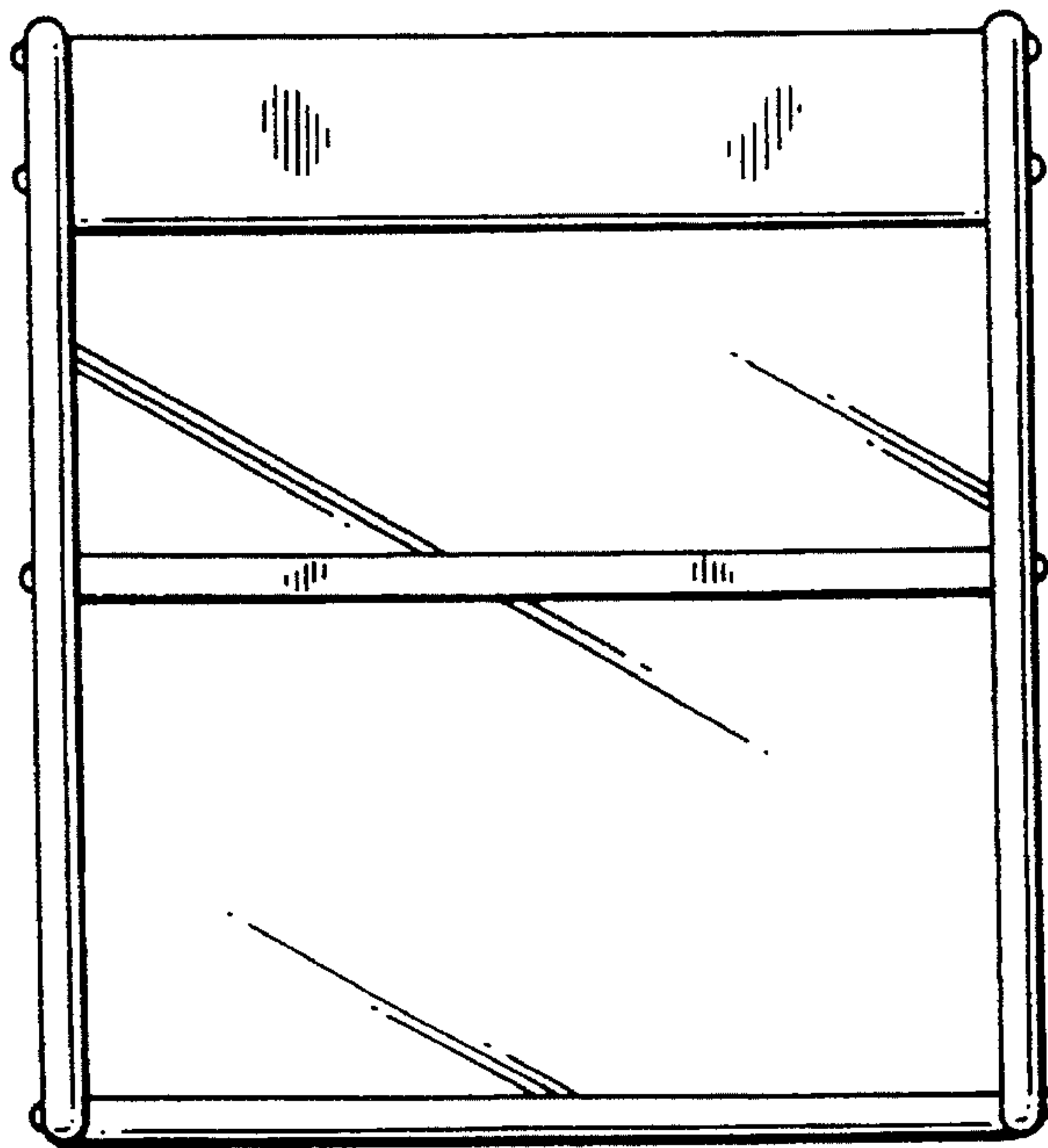


FIG. 6