



US00D366776S

# United States Patent [19] Pasin

[11] **Patent Number:** **Des. 366,776**

[45] **Date of Patent:** **\*\*Feb. 6, 1996**

[54] **CHAIR**

[75] **Inventor:** **Antonio Pasin, Chicago, Ill.**

[73] **Assignee:** **Radio Flyer Inc., Chicago, Ill.**

[\*\*] **Term:** **14 Years**

[21] **Appl. No.:** **33,914**

[22] **Filed:** **Jan. 24, 1995**

[52] **U.S. Cl. ....** **D6/372; D6/379; D6/380**

[58] **Field of Search ....** **D6/334, 371, 372,  
D6/373, 374, 379, 380, 500, 501, 502;  
297/411.40, 411.42**

[56] **References Cited**

**U.S. PATENT DOCUMENTS**

D. 240,574	7/1976	Rinaldi .....	D6/372
D. 253,325	11/1979	Gasser et al. ....	D6/372
D. 294,781	3/1988	Goldman .....	D6/372

**OTHER PUBLICATIONS**

Industrial Design, Oct. 1972, p. 64, chair #12, bottom center.

*Primary Examiner*—Janice E. Seeger  
*Assistant Examiner*—Gary D. Watson  
*Attorney, Agent, or Firm*—Rockey, Rifkin & Ryther

[57] **CLAIM**

The ornamental design for a chair, as shown and described.

**DESCRIPTION**

FIG. 1 is a front perspective view of a chair showing the new design;

FIG. 2 is a side elevational view of the invention as shown in FIG. 1;

FIG. 3 is a front elevational view of the invention as shown in FIG. 1;

FIG. 4 is a rear elevational view of the invention as shown in FIG. 1;

FIG. 5 is a top plan view of the invention as shown in FIG. 1; and,

FIG. 6 is a bottom plan view of the invention as shown in FIG. 1.

**1 Claim, 3 Drawing Sheets**

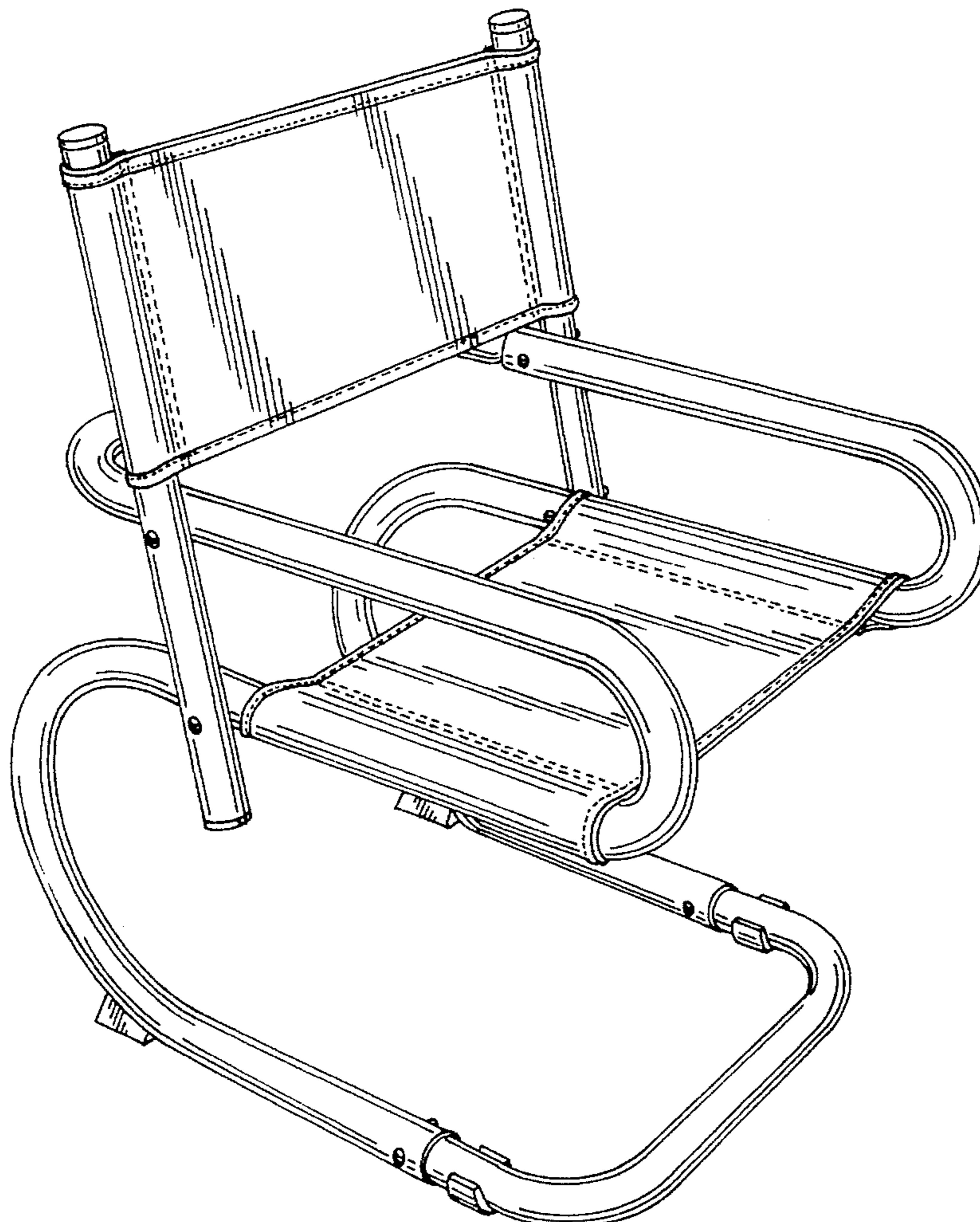


FIG. 2

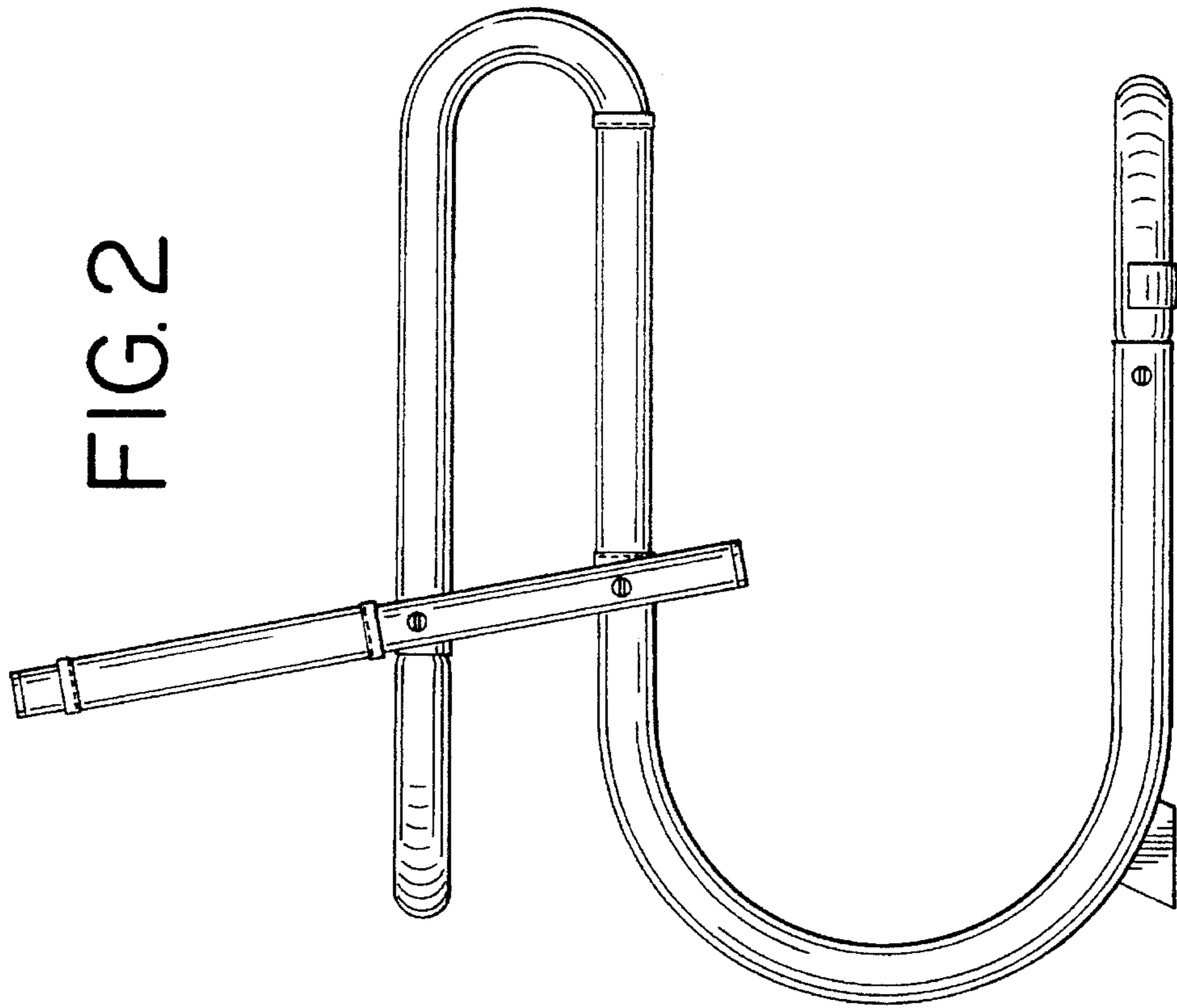


FIG. 1

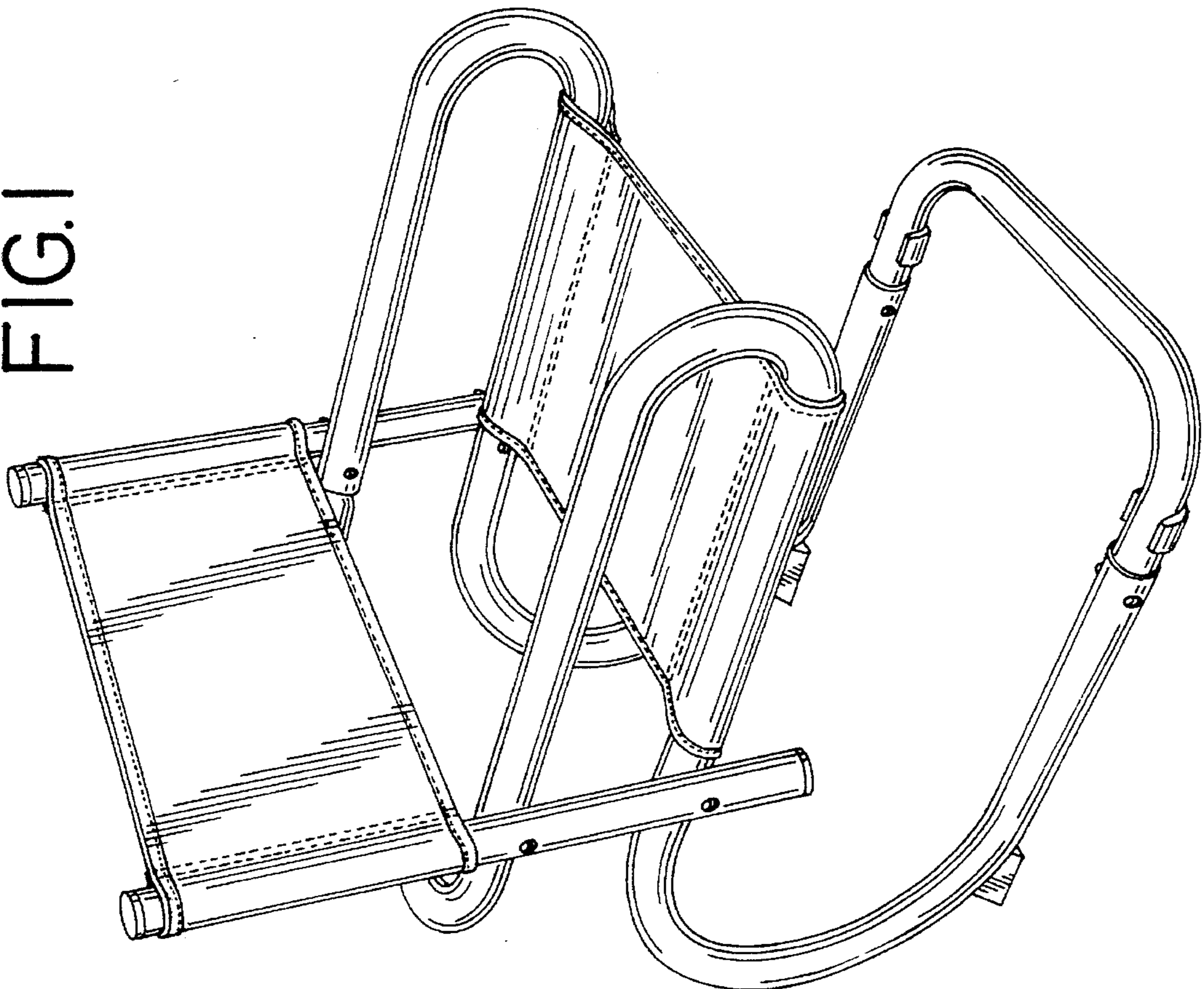


FIG. 4

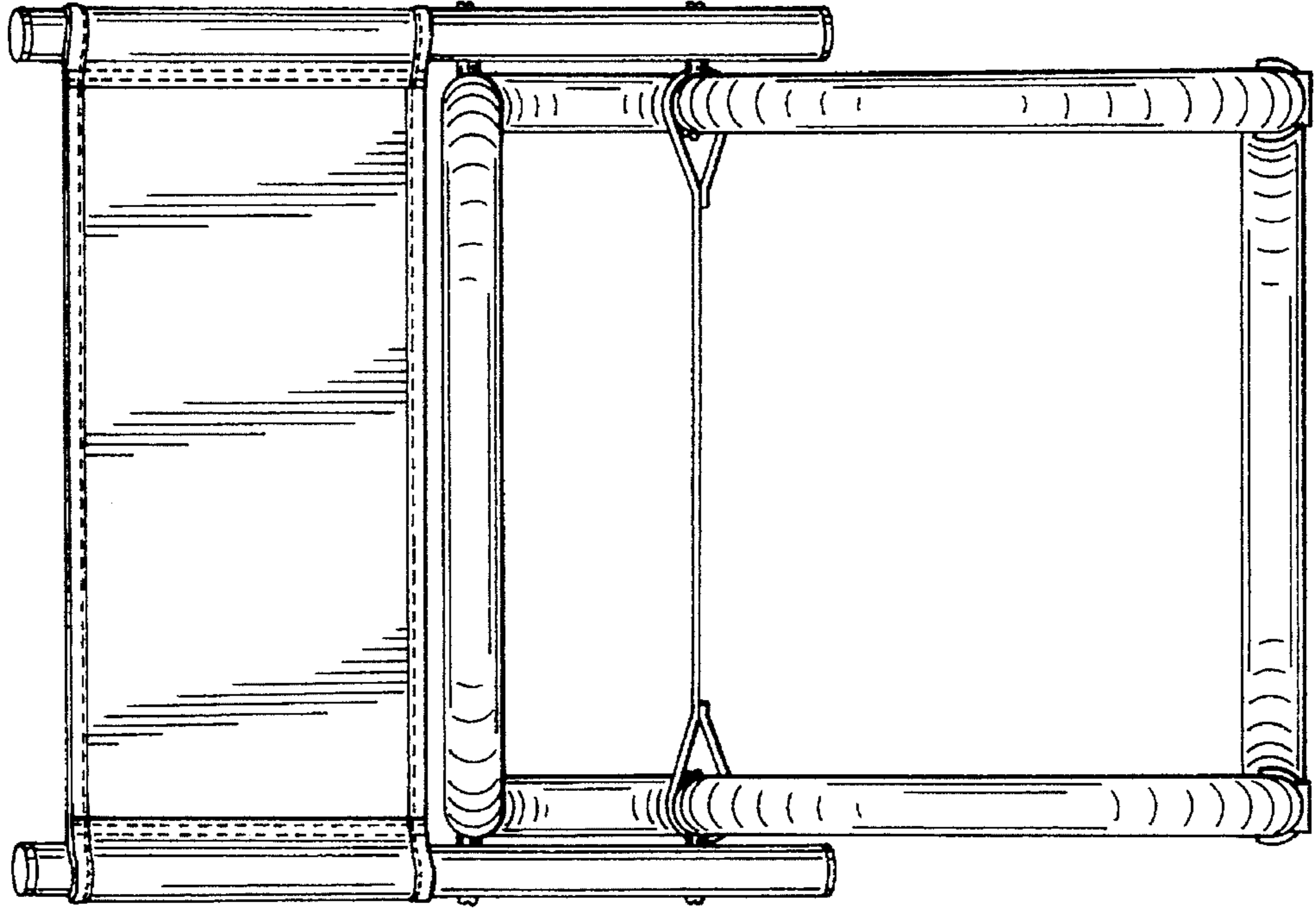


FIG. 3

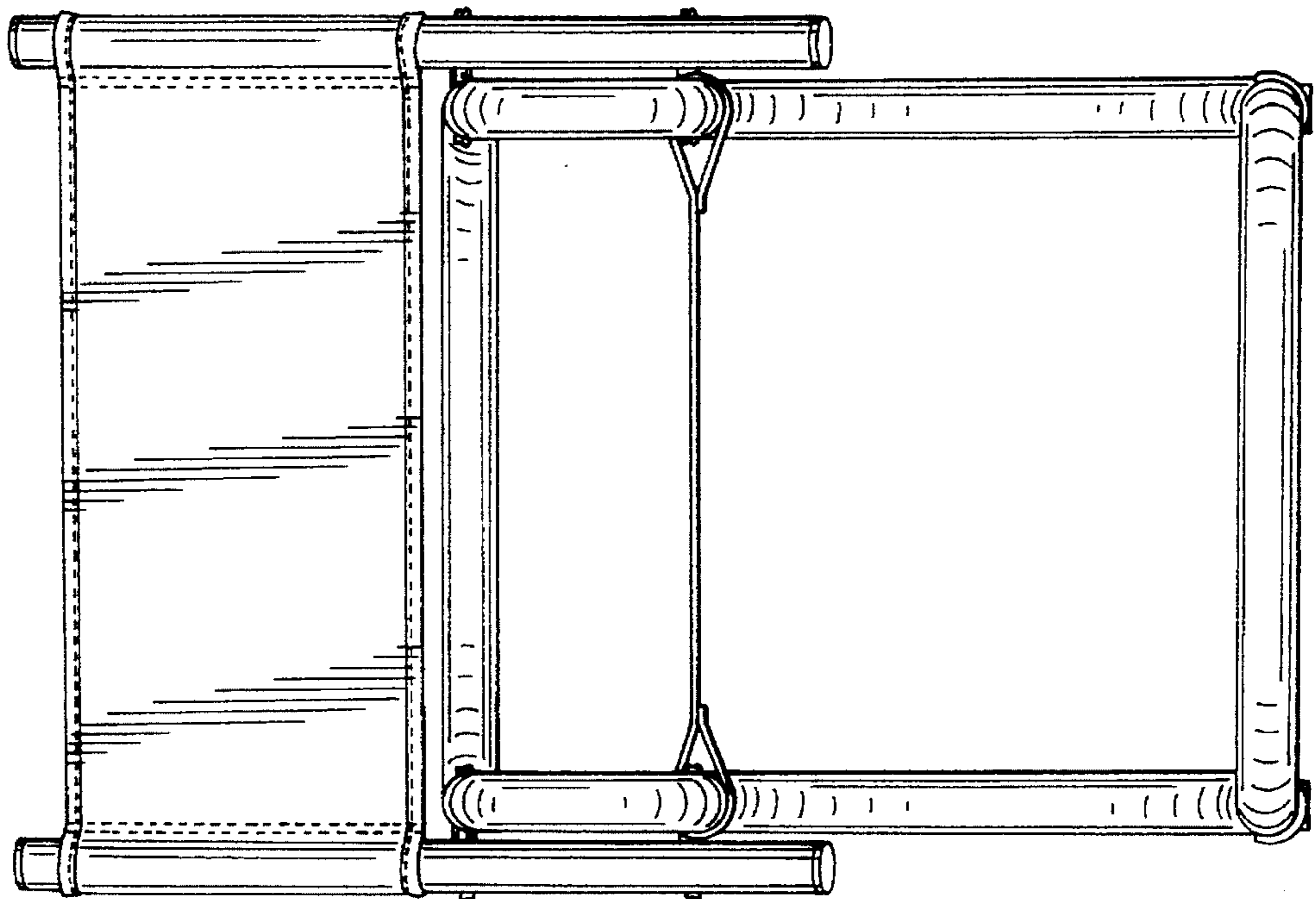


FIG. 5

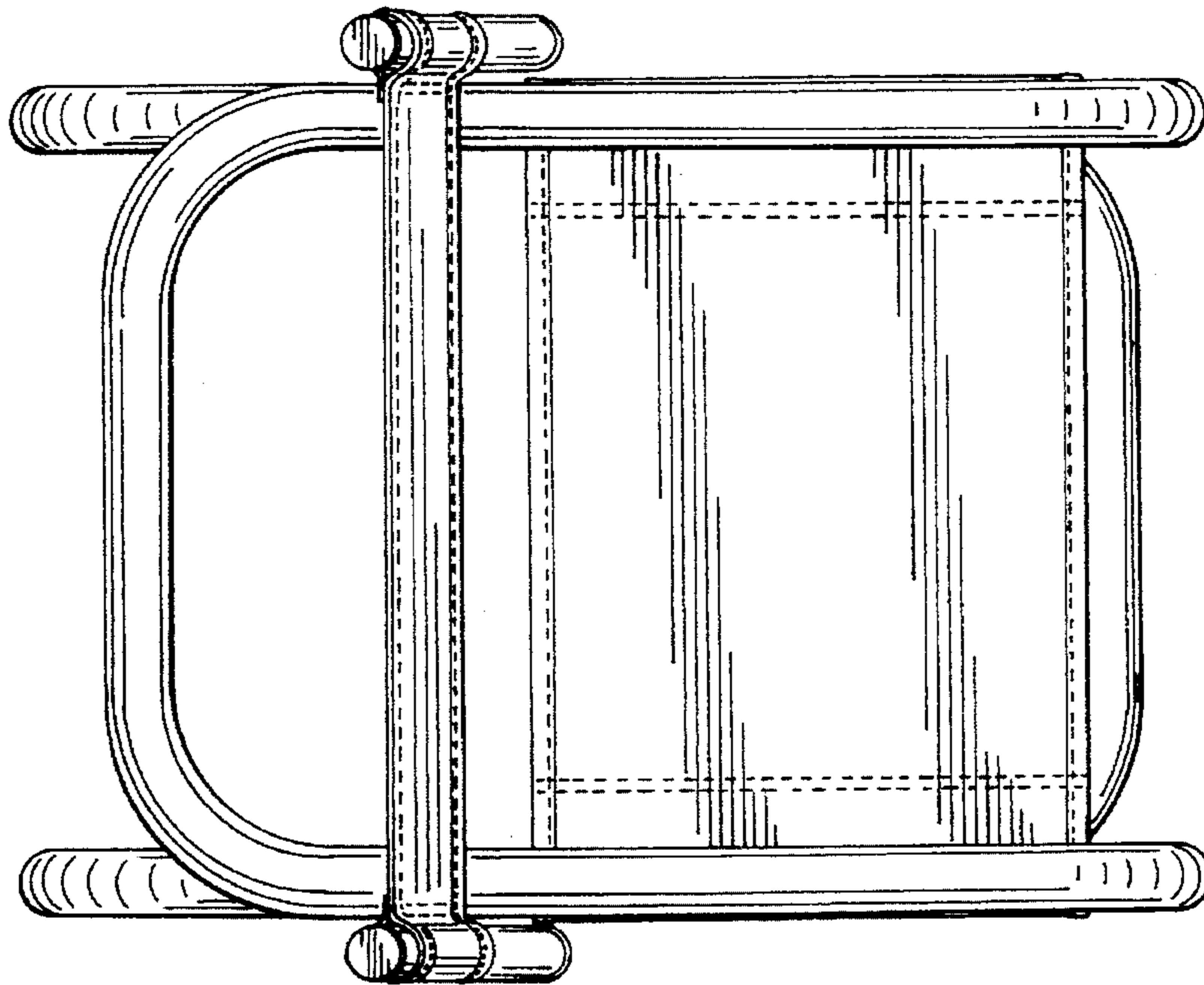


FIG. 6

