



US00D366774S

United States Patent [19]
Frinier

[11] **Patent Number: Des. 366,774**

[45] **Date of Patent: **Feb. 6, 1996**

[54] **CHAIR**

D. 338,115 8/1993 Grosfillex D6/370
D. 358,041 5/1995 Watts D6/379

[75] Inventor: **Richard Frinier**, Long Beach, Calif.

OTHER PUBLICATIONS

[73] Assignee: **Cherry Grove, Inc.**, Wilmington, Del.

Interiors, May 1989, p. 111, Chair at mid-page right.

[**] Term: **14 Years**

Primary Examiner—Gary D. Watson
Attorney, Agent, or Firm—Petree Stockton

[21] Appl. No.: **37,864**

[57] **CLAIM**

[22] Filed: **Apr. 21, 1995**

The ornamental design for a chair, as shown.

[52] U.S. Cl. **D6/370; D6/379; D6/380**

[58] Field of Search D6/334, 370, 371,
D6/373, 374, 376, 379, 380, 500, 501,
502; 297/446

DESCRIPTION

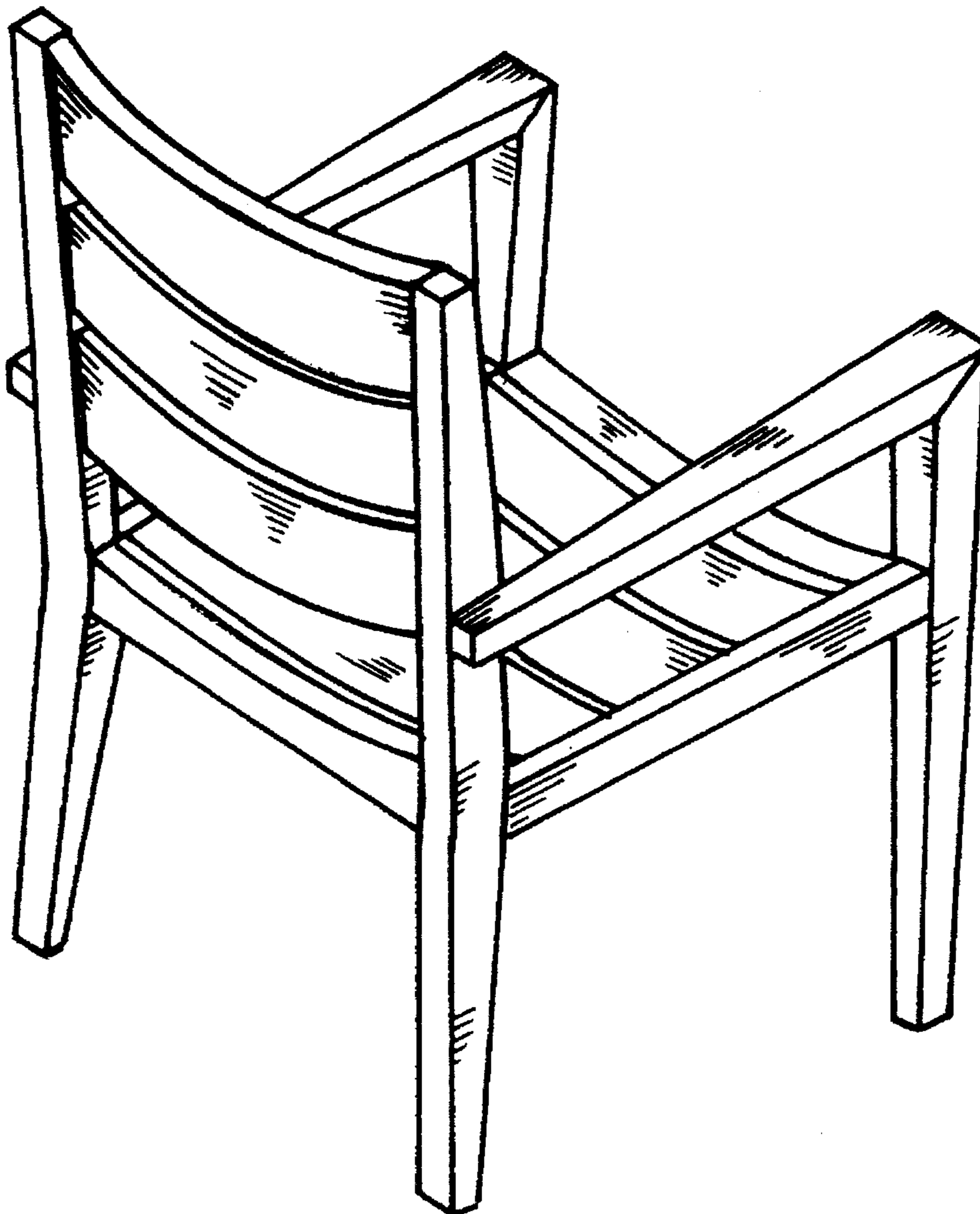
[56] **References Cited**

U.S. PATENT DOCUMENTS

D. 222,453 10/1971 Zeiss et al. D6/370 X
D. 259,078 5/1981 Decroninck D6/370
D. 288,994 3/1987 Winters D6/370
D. 333,925 3/1993 Ricchio, Jr. et al. D6/370

FIG. 1 is a rear perspective view of my new chair;
FIG. 2 is a side elevational view of the chair of FIG. 1;
FIG. 3 is a front elevational view of the chair of FIG. 1;
FIG. 4 is a rear perspective view of a second embodiment of
my new chair;
FIG. 5 is a side elevational view of the chair of FIG. 4; and,
FIG. 6 is a front elevational view of the chair of FIG. 4.

1 Claim, 2 Drawing Sheets



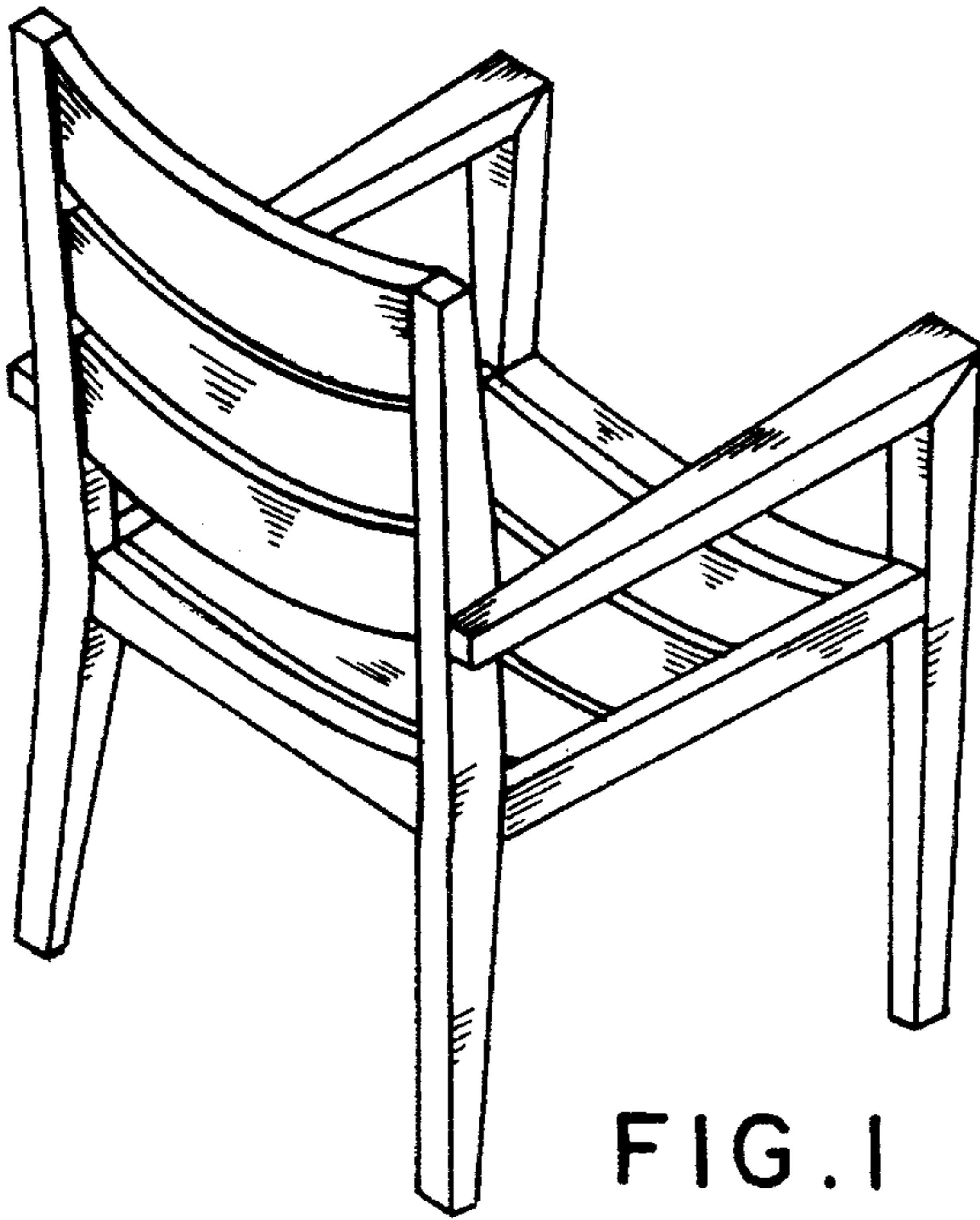


FIG. 1

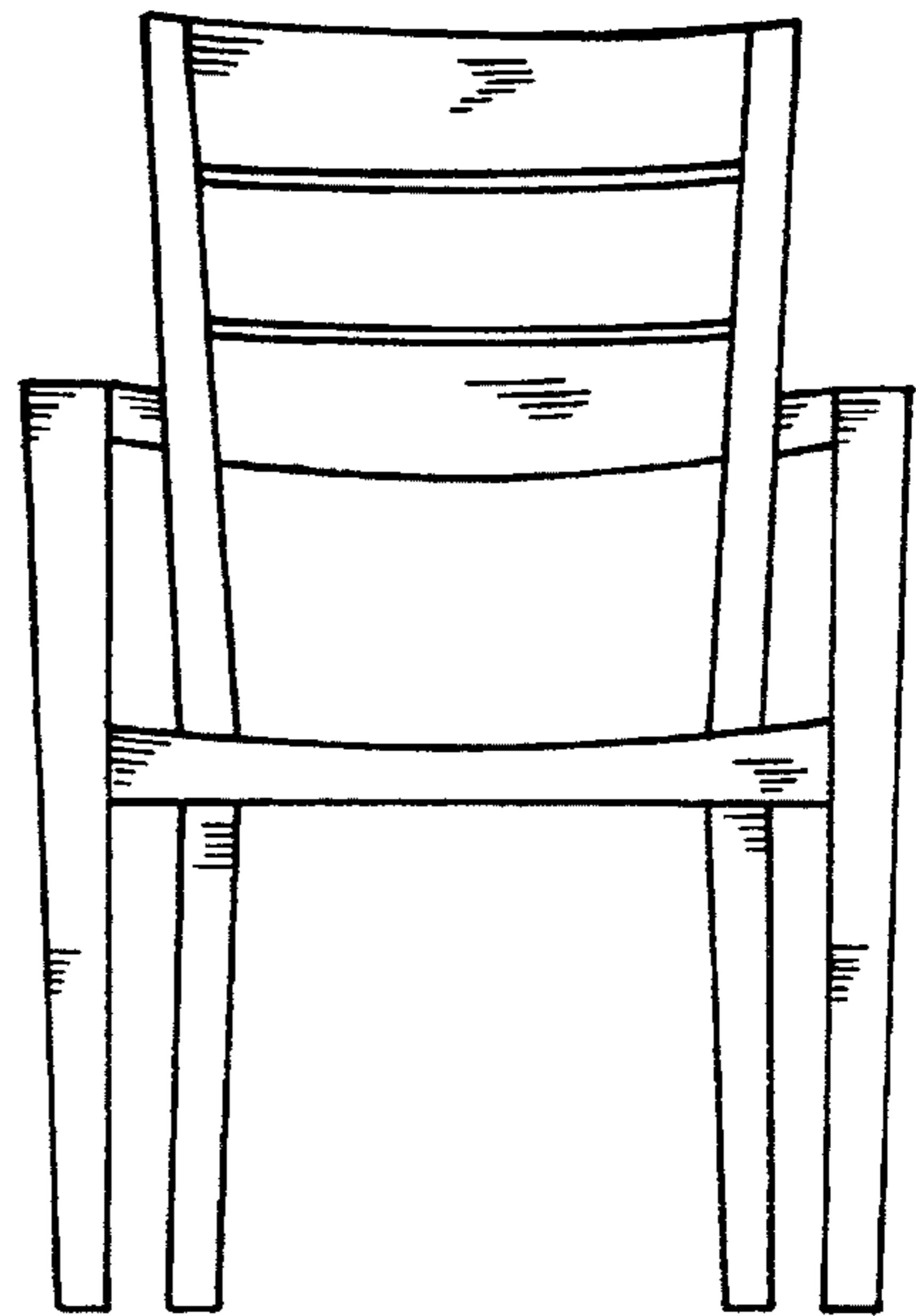


FIG. 3

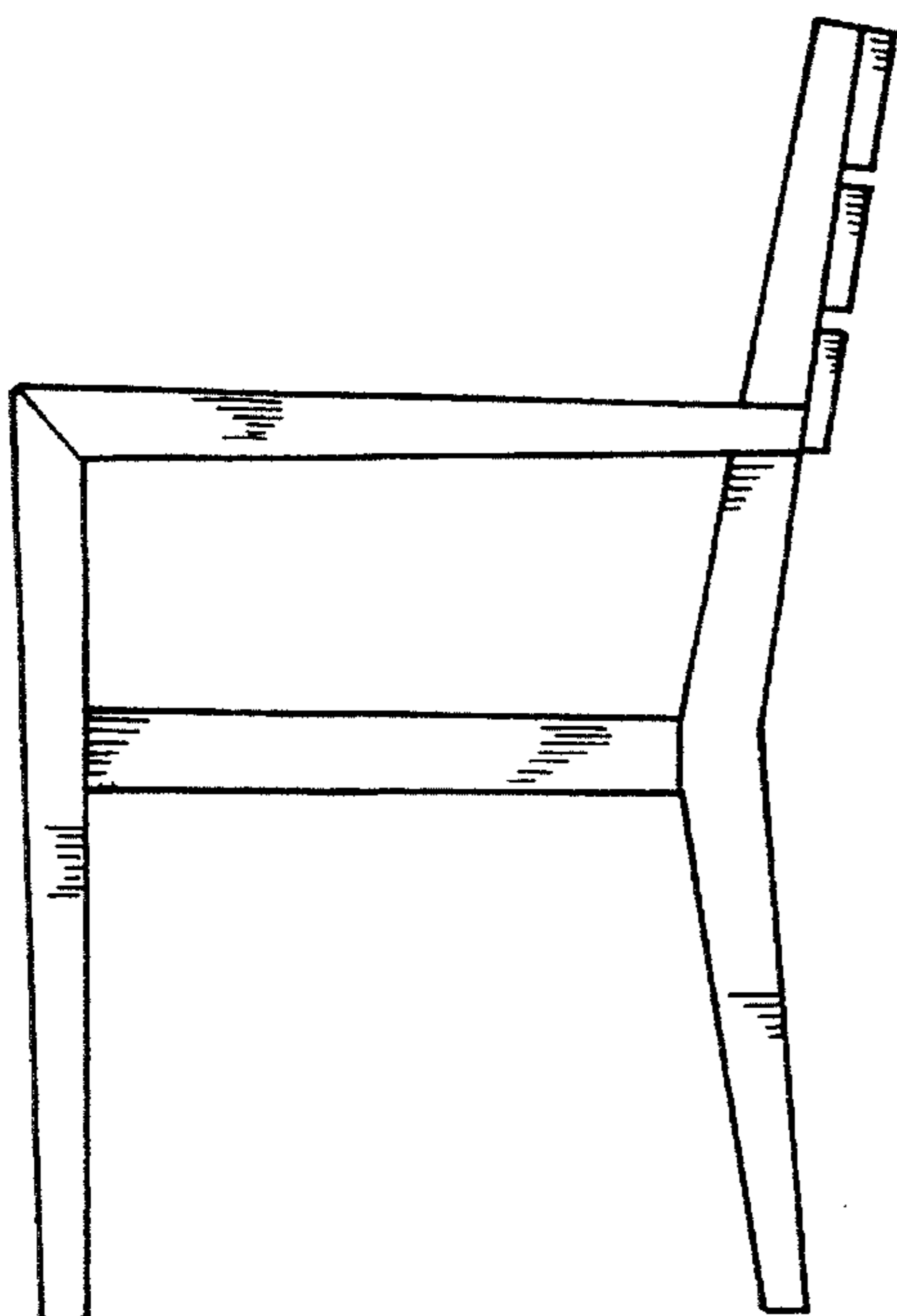


FIG. 2

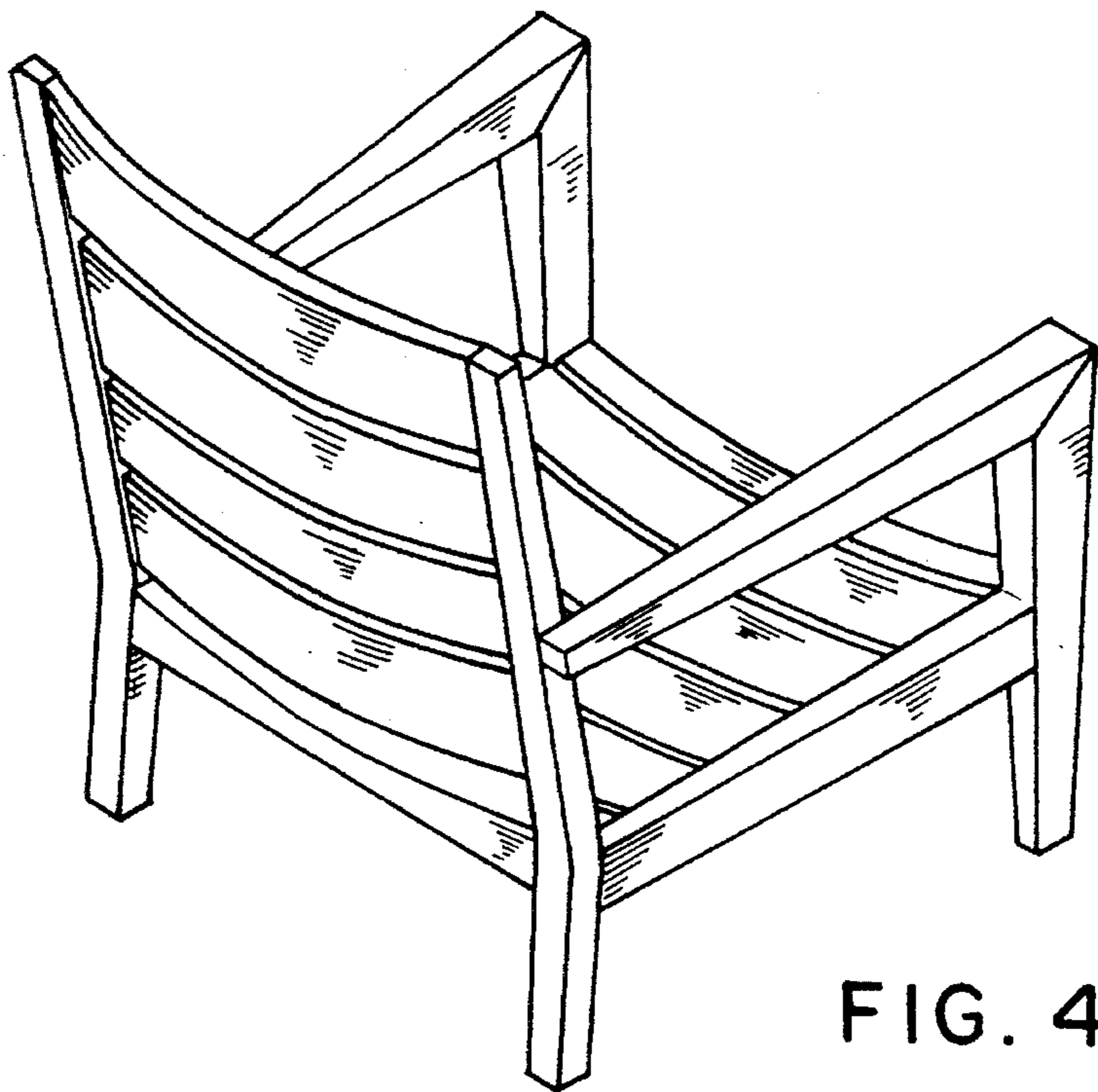


FIG. 4

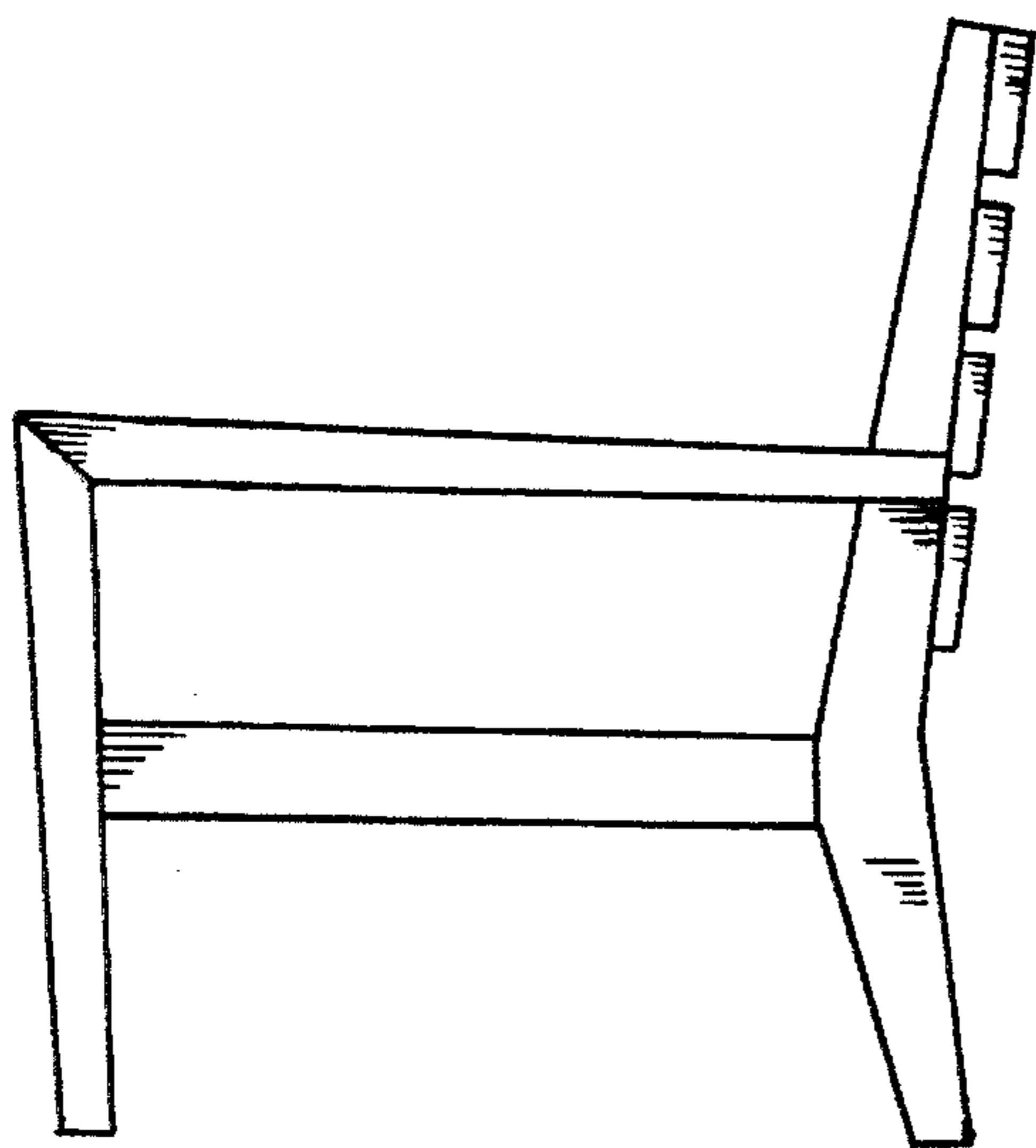


FIG. 5

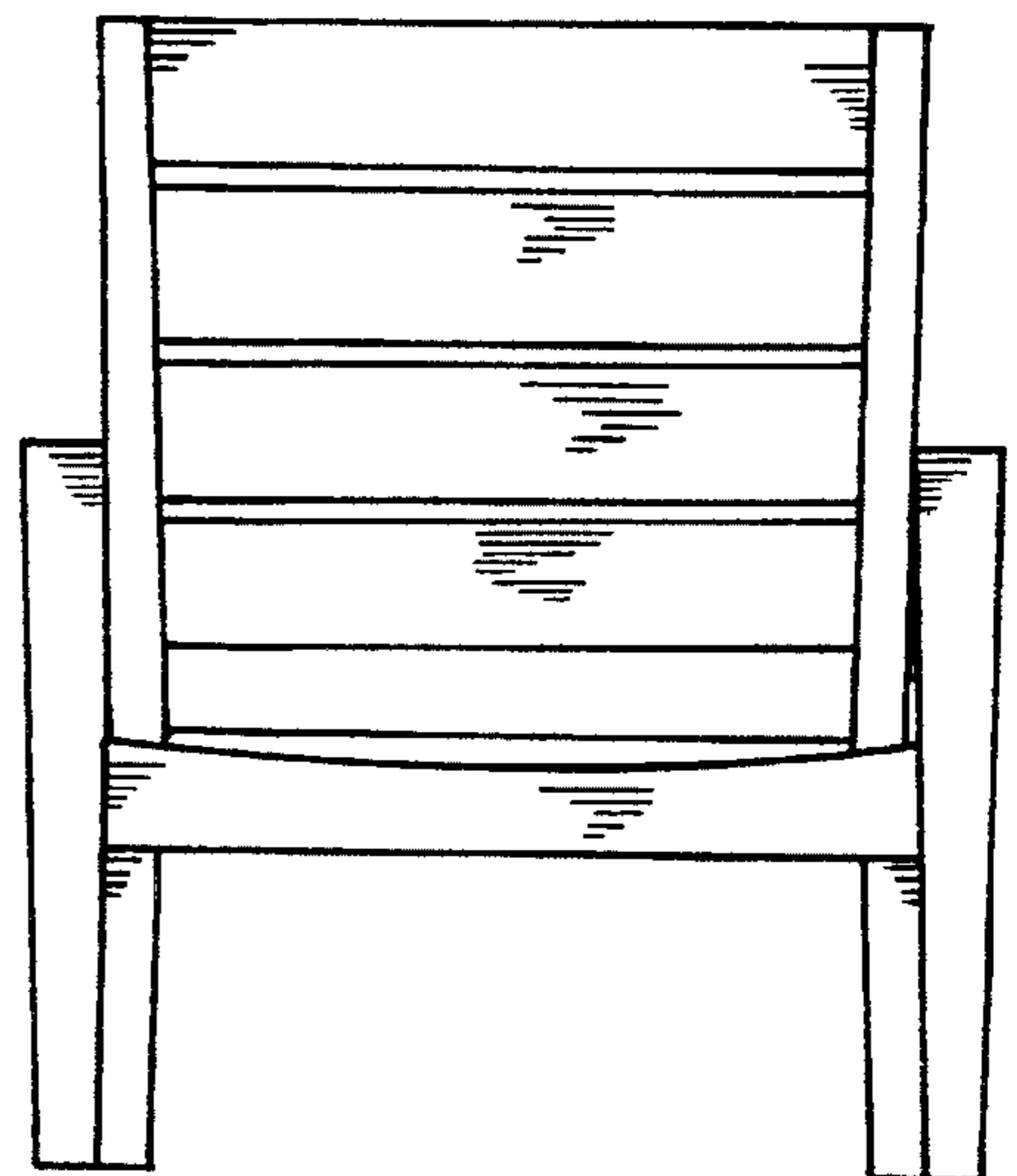


FIG. 6