



US00D366772S

**United States Patent** [19]  
**Pasin**

[11] **Patent Number:** **Des. 366,772**  
[45] **Date of Patent:** **\*\*Feb. 6, 1996**

[54] **STOOL**  
[75] Inventor: **Antonio Pasin**, Chicago, Ill.  
[73] Assignee: **Radio Flyer Inc.**, Chicago, Ill.  
[\*\*] Term: **14 Years**  
[21] Appl. No.: **33,915**  
[22] Filed: **Jan. 24, 1995**  
[52] U.S. Cl. .... **D6/363**; D6/349; D6/360;  
D6/489  
[58] **Field of Search** ..... D6/334, 335, 349,  
D6/360, 363, 489, 500, 501, 502; 297/461

[56] **References Cited**  
**U.S. PATENT DOCUMENTS**  
D. 168,001 10/1952 Sachs ..... D6/349  
D. 285,872 9/1986 Massonnet ..... D6/363 X  
D. 346,703 5/1994 Grosfillex ..... D6/349

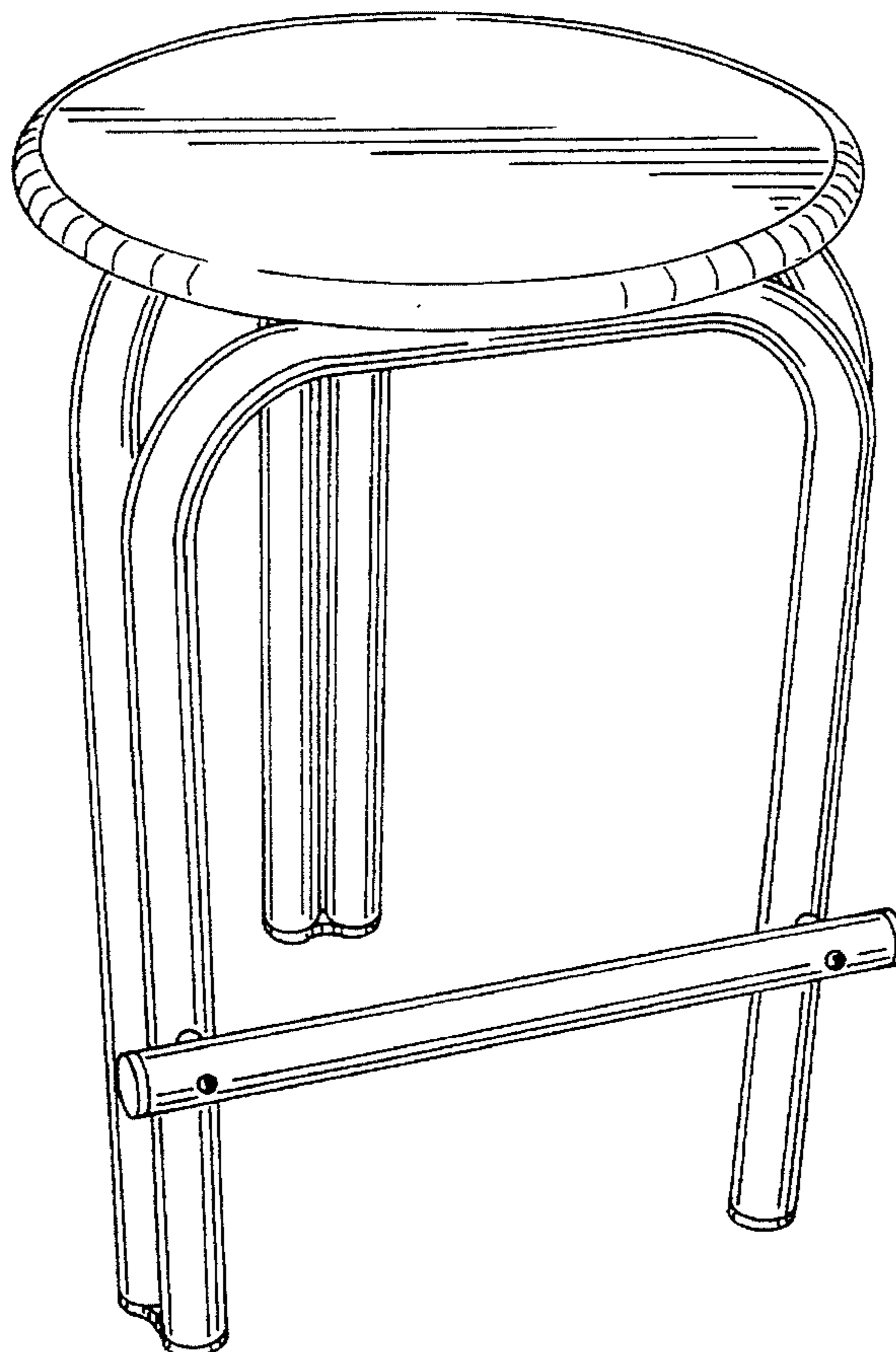
**OTHER PUBLICATIONS**  
Howell, Feb. 16, 1938, p. 23, Stool #211-23 at top right.  
An Encyclopedia of Chairs, by Simon Yates, © 1988, p. 105,  
stool 164C by Alvar Aalto.

*Primary Examiner*—Janice E. Seeger  
*Assistant Examiner*—Gary D. Watson  
*Attorney, Agent, or Firm*—Rockey, Rifkin & Ryther

[57] **CLAIM**  
The ornamental design for a stool, as shown and described.

**DESCRIPTION**  
FIG. 1 is a perspective view of a stool showing the new design;  
FIG. 2 is a front elevational view of the invention as shown in FIG. 1;  
FIG. 3 is a top plan view of the invention as shown in FIG. 1;  
FIG. 4 is a rear elevational view of the invention as shown in FIG. 1;  
FIG. 5 is a side elevational view of the invention as shown in FIG. 1;  
FIG. 6 is a bottom plan view of the invention as shown in FIG. 1;  
FIG. 7 is a perspective view of a form of the invention characterized by shorter legs;  
FIG. 8 is a front elevational view of the invention shown in FIG. 7;  
FIG. 9 is a top plan view of the invention shown in FIG. 7;  
FIG. 10 is a rear elevational view of the invention shown in FIG. 7;  
FIG. 11 is a side elevational view of the invention shown in FIG. 7; and,  
FIG. 12 is a bottom plan view of the invention shown in FIG. 7.

**1 Claim, 4 Drawing Sheets**



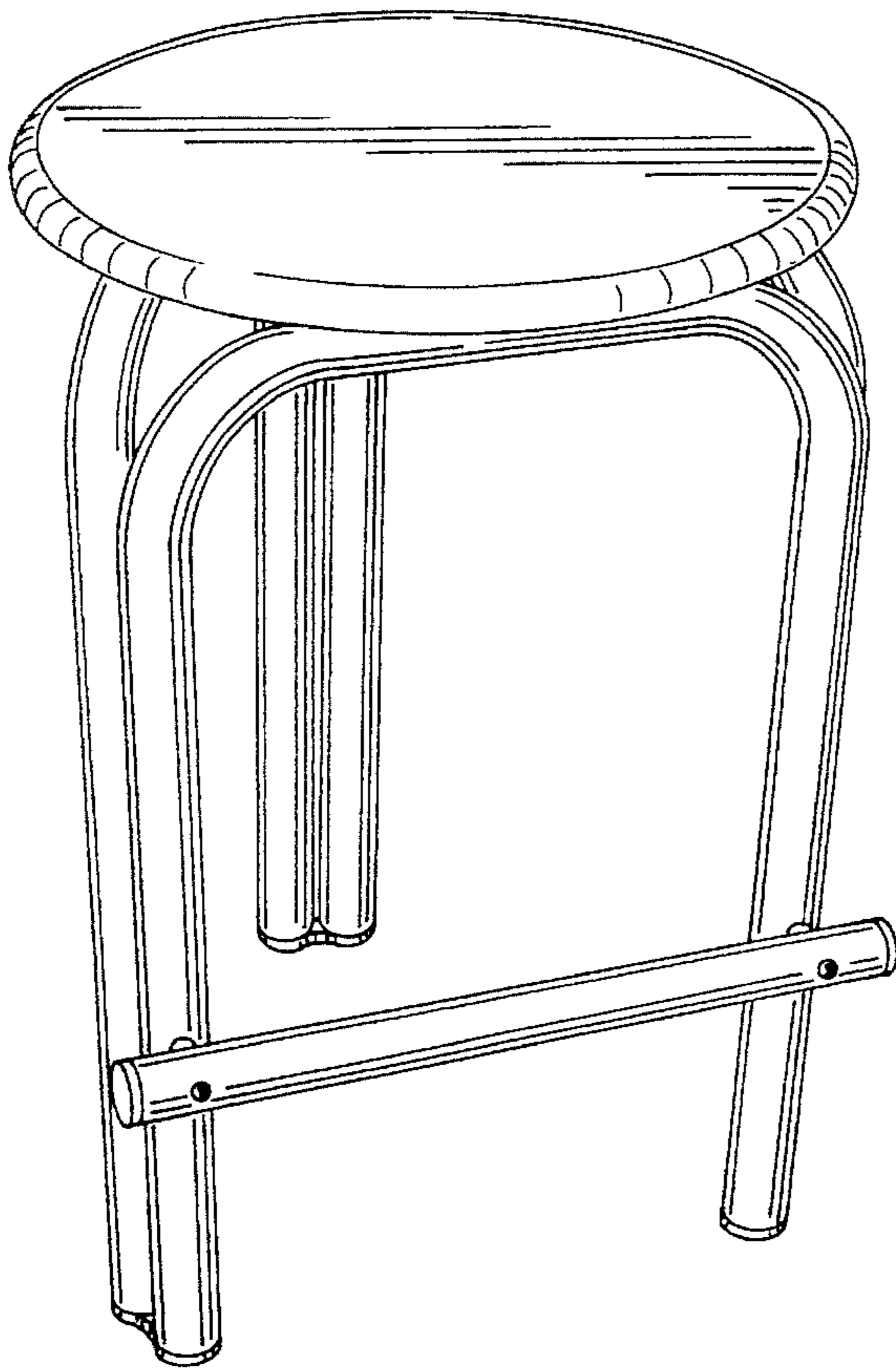


FIG. 1

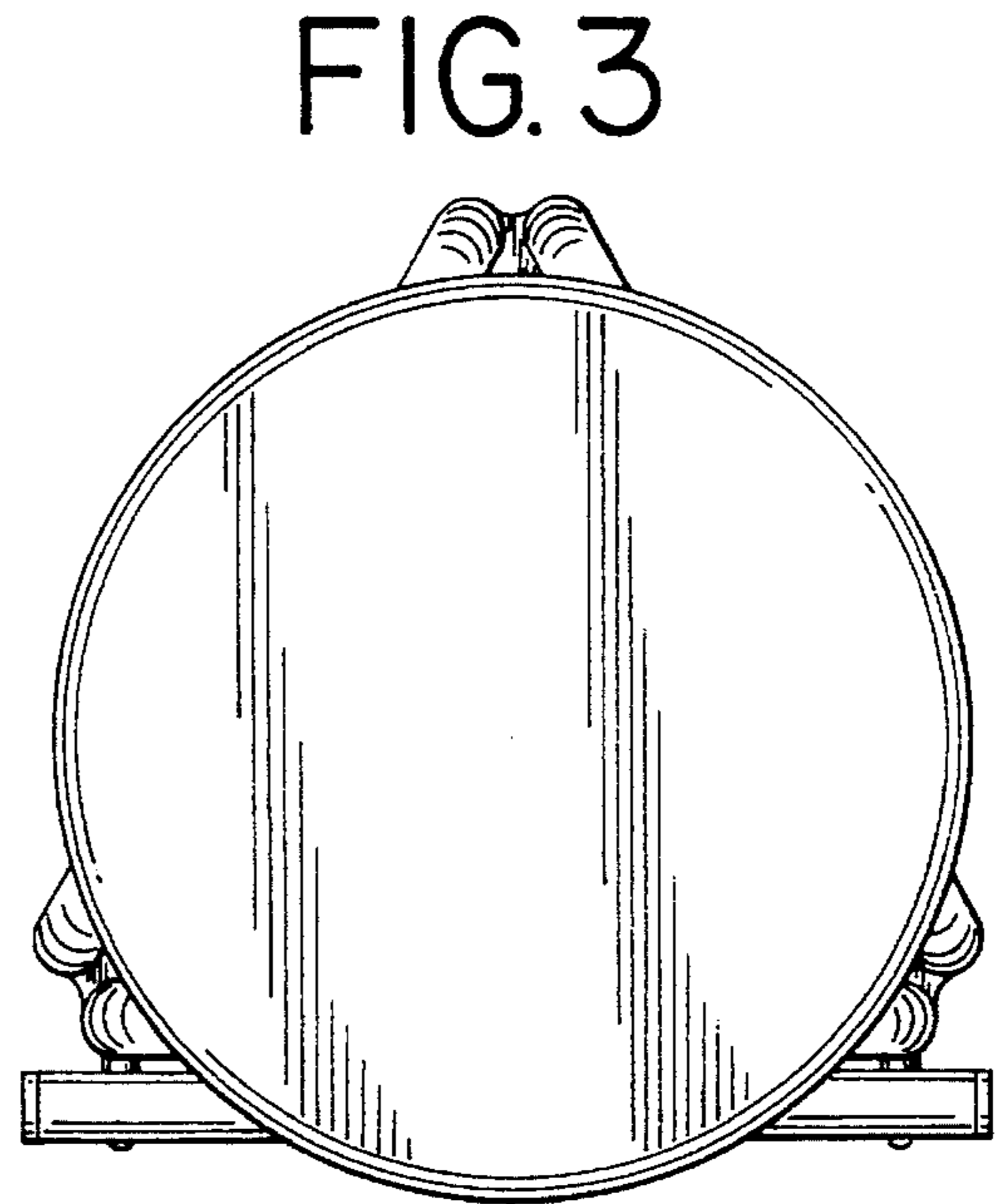


FIG. 3

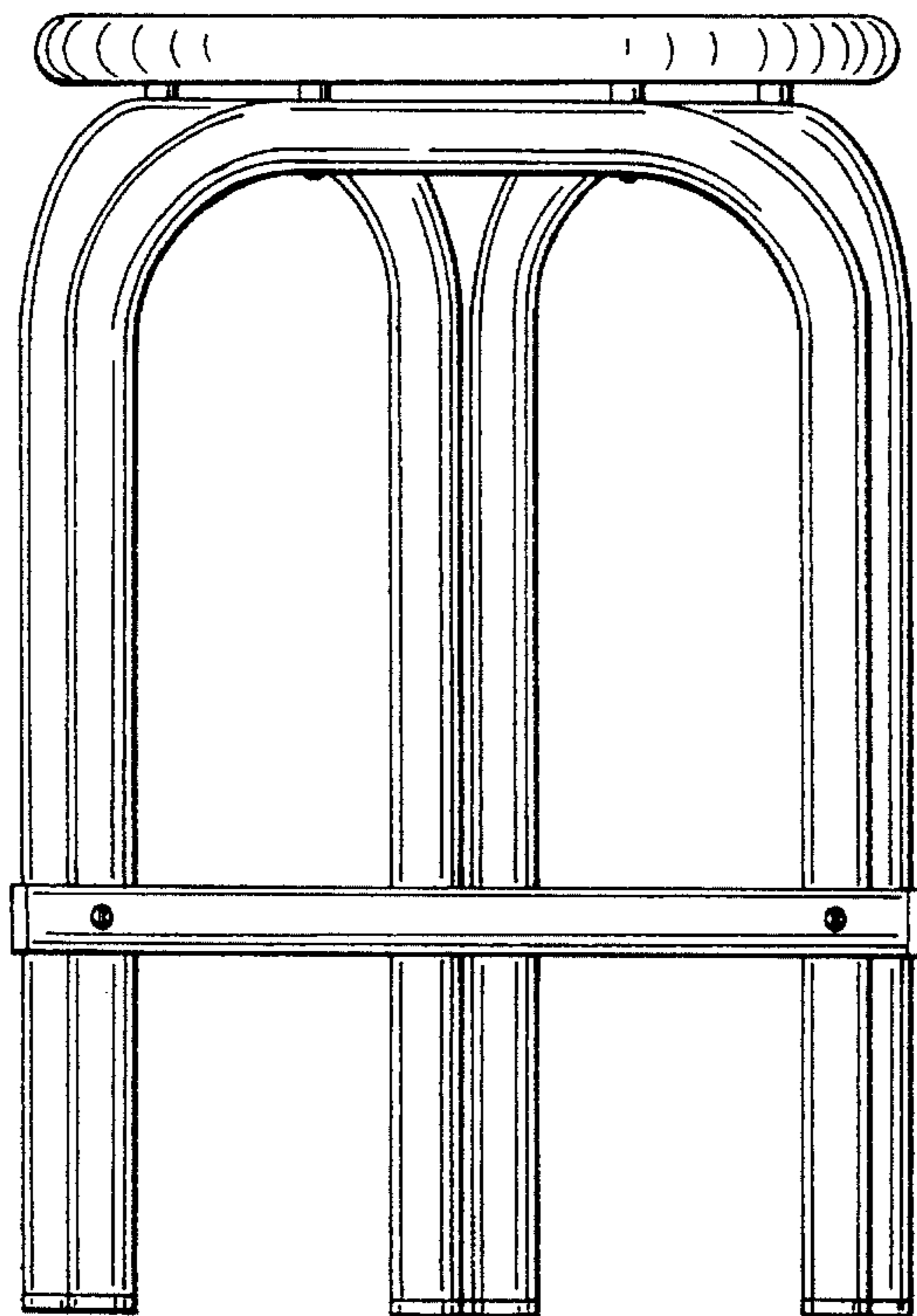


FIG. 2

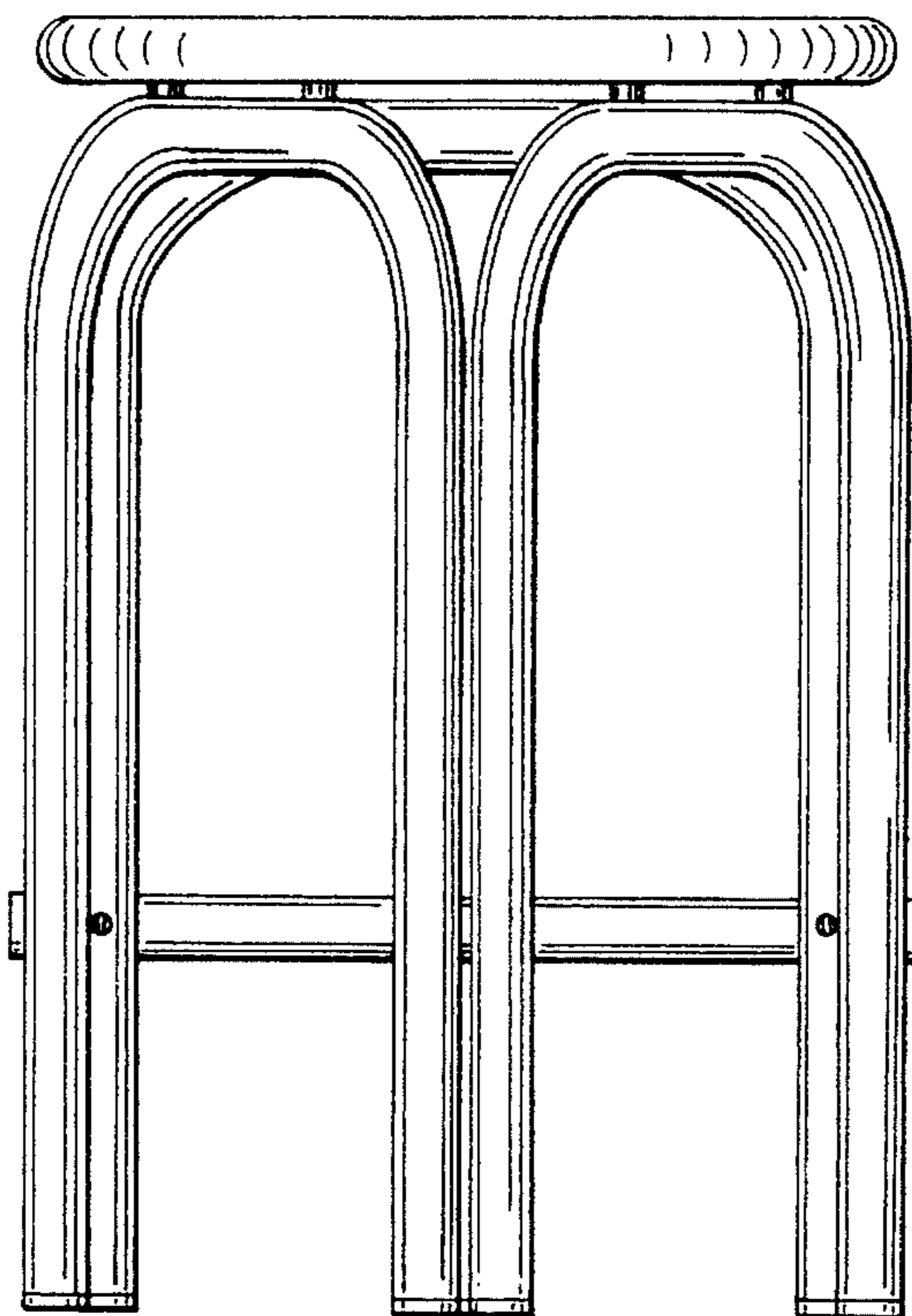


FIG. 4

FIG. 5

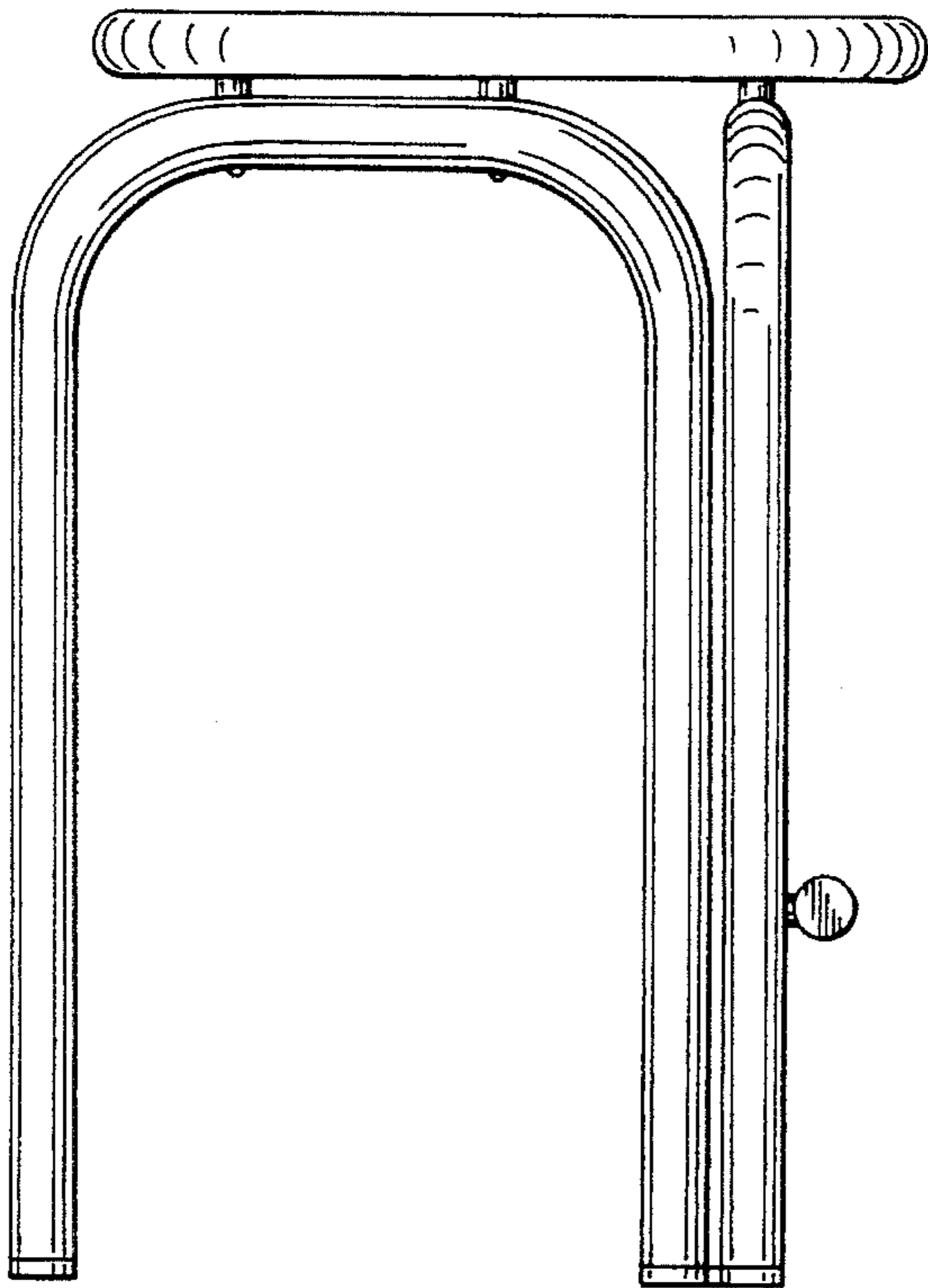
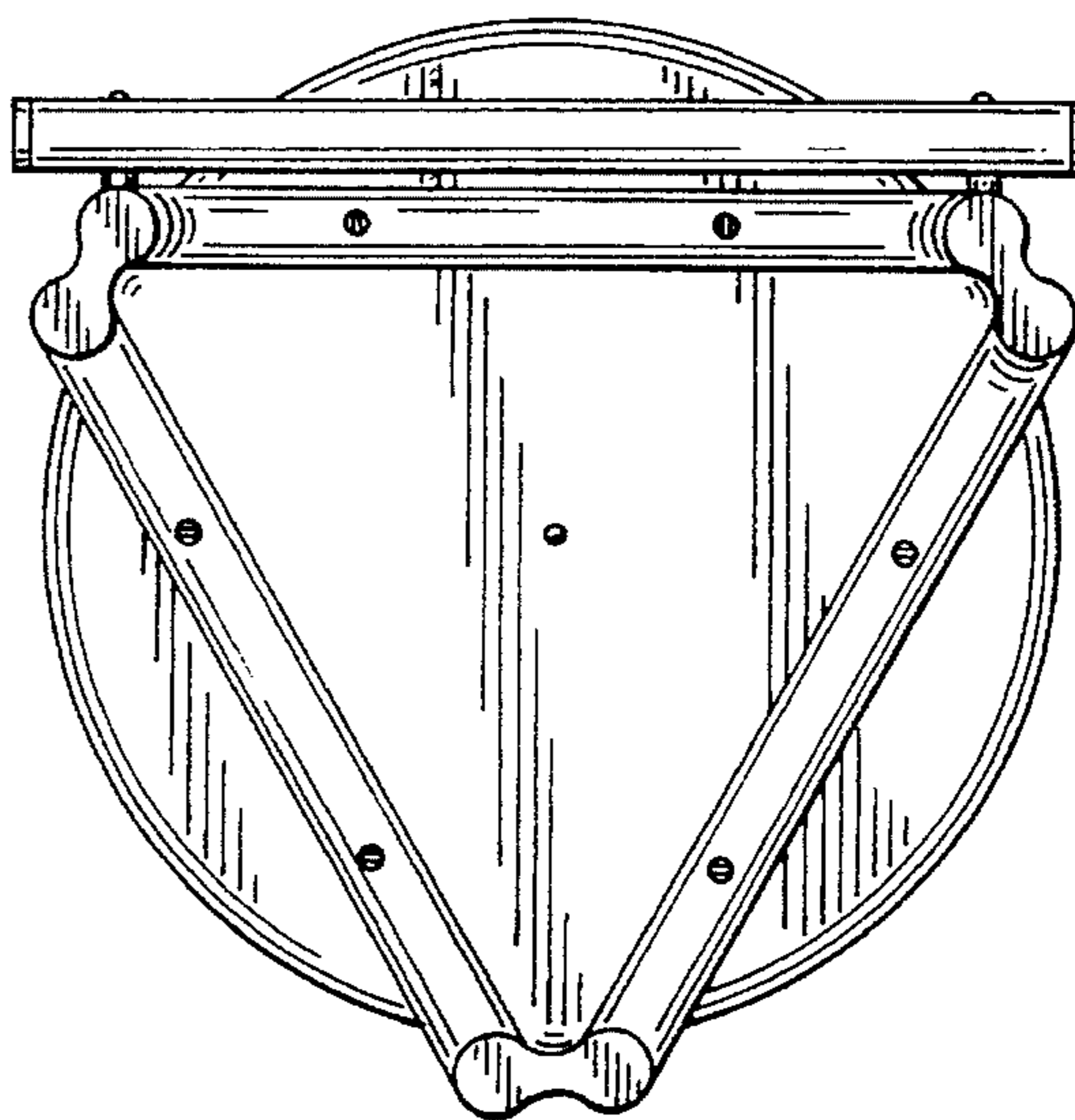


FIG. 6



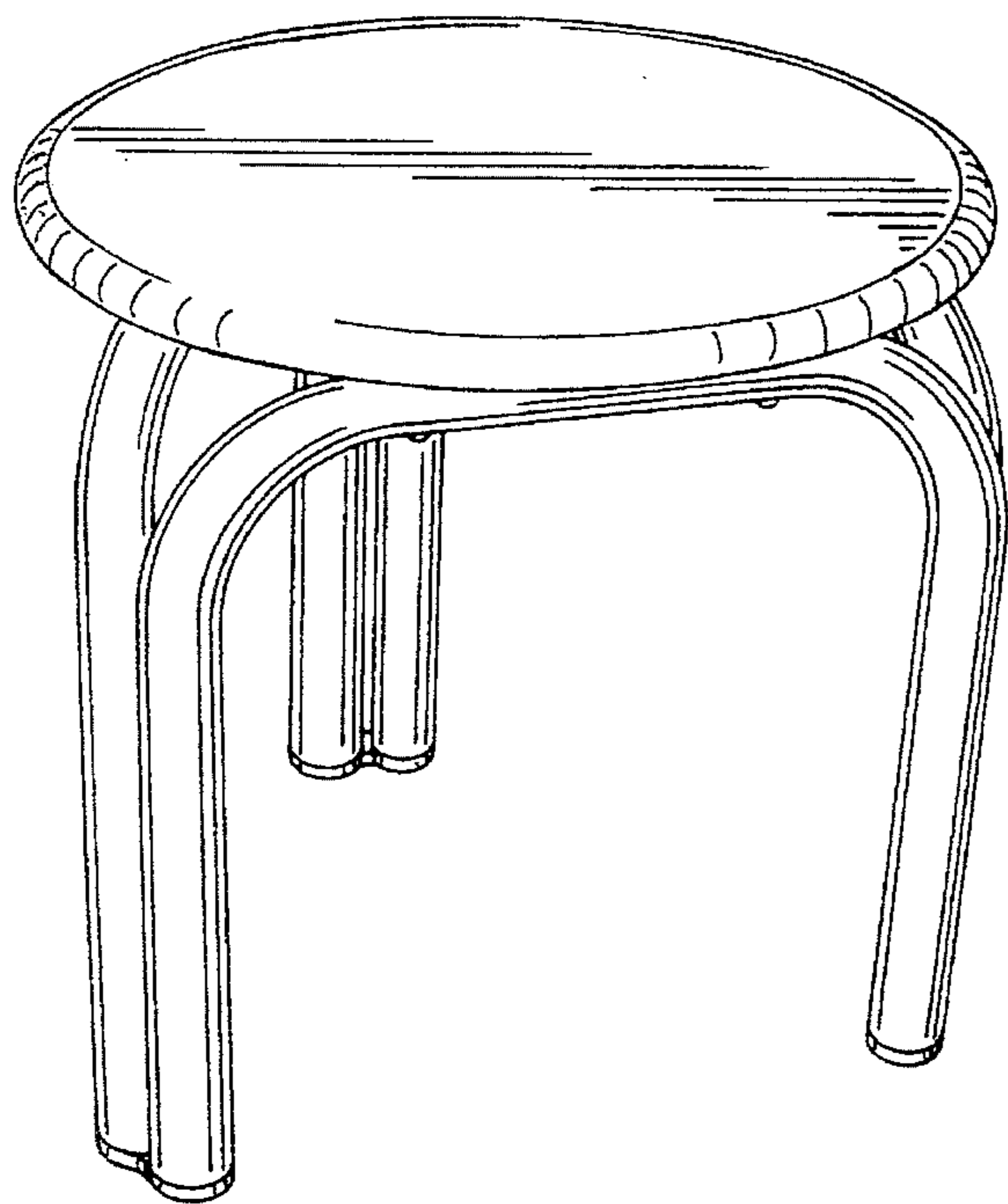


FIG. 7

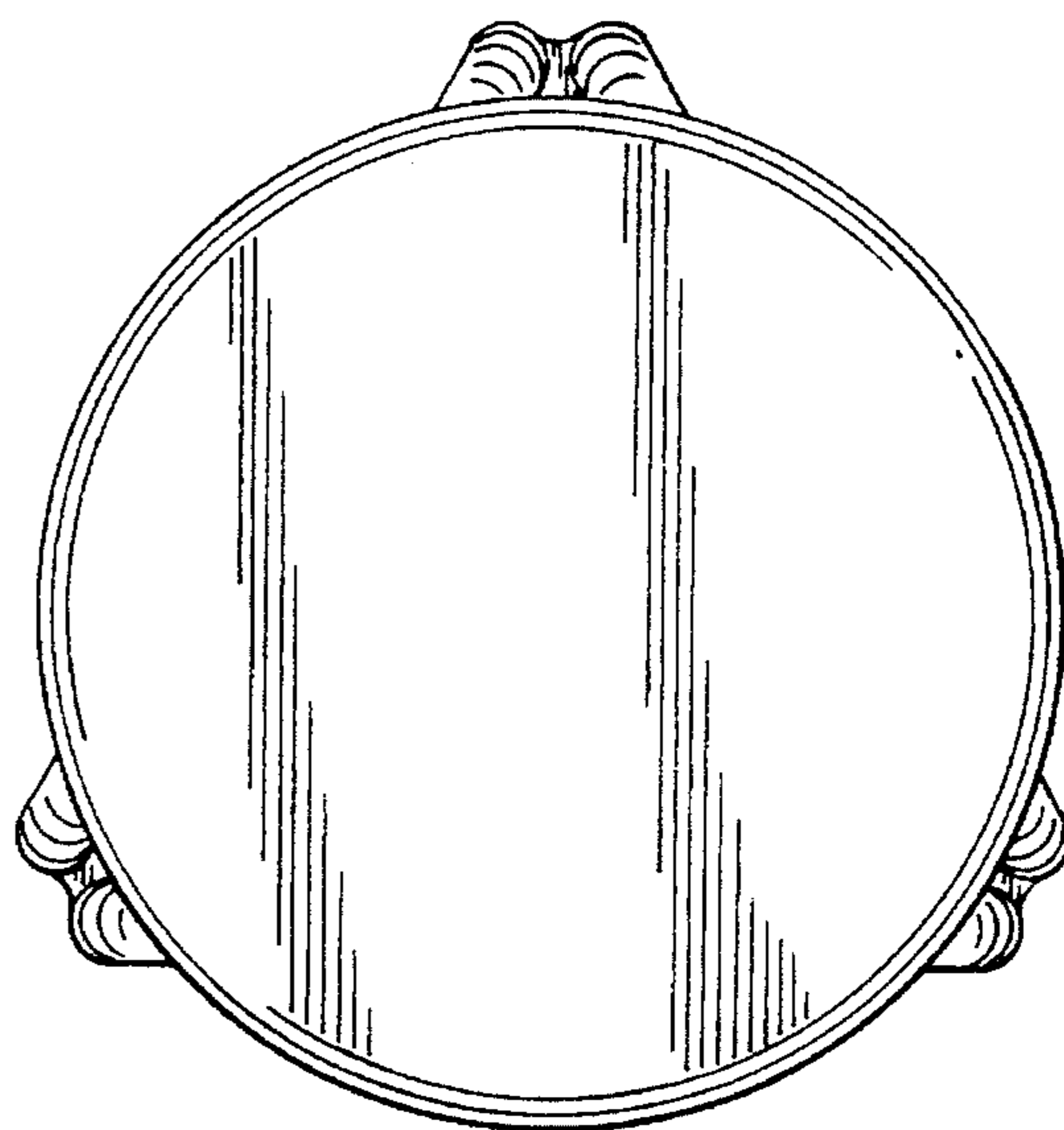


FIG. 9

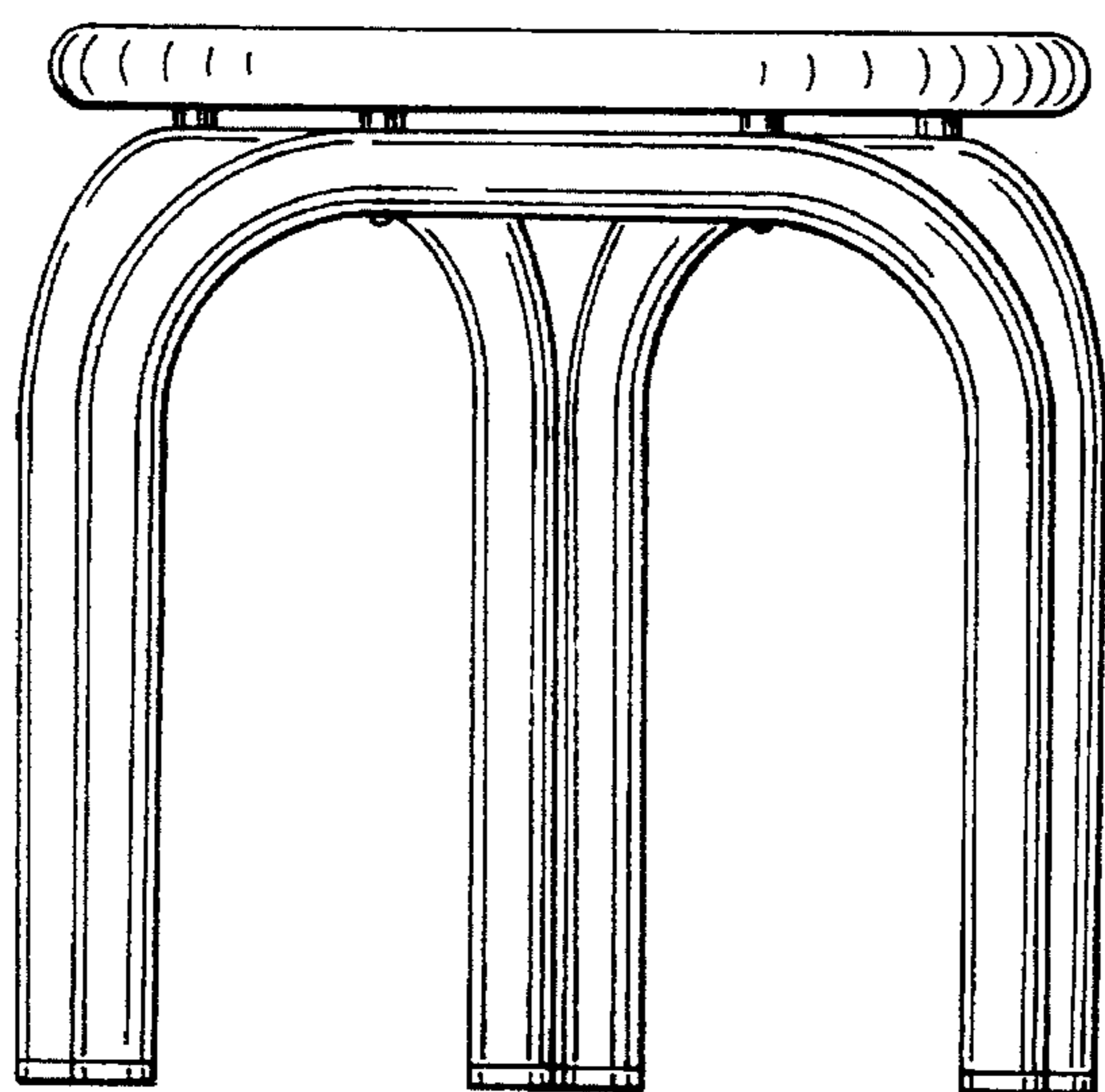


FIG. 8

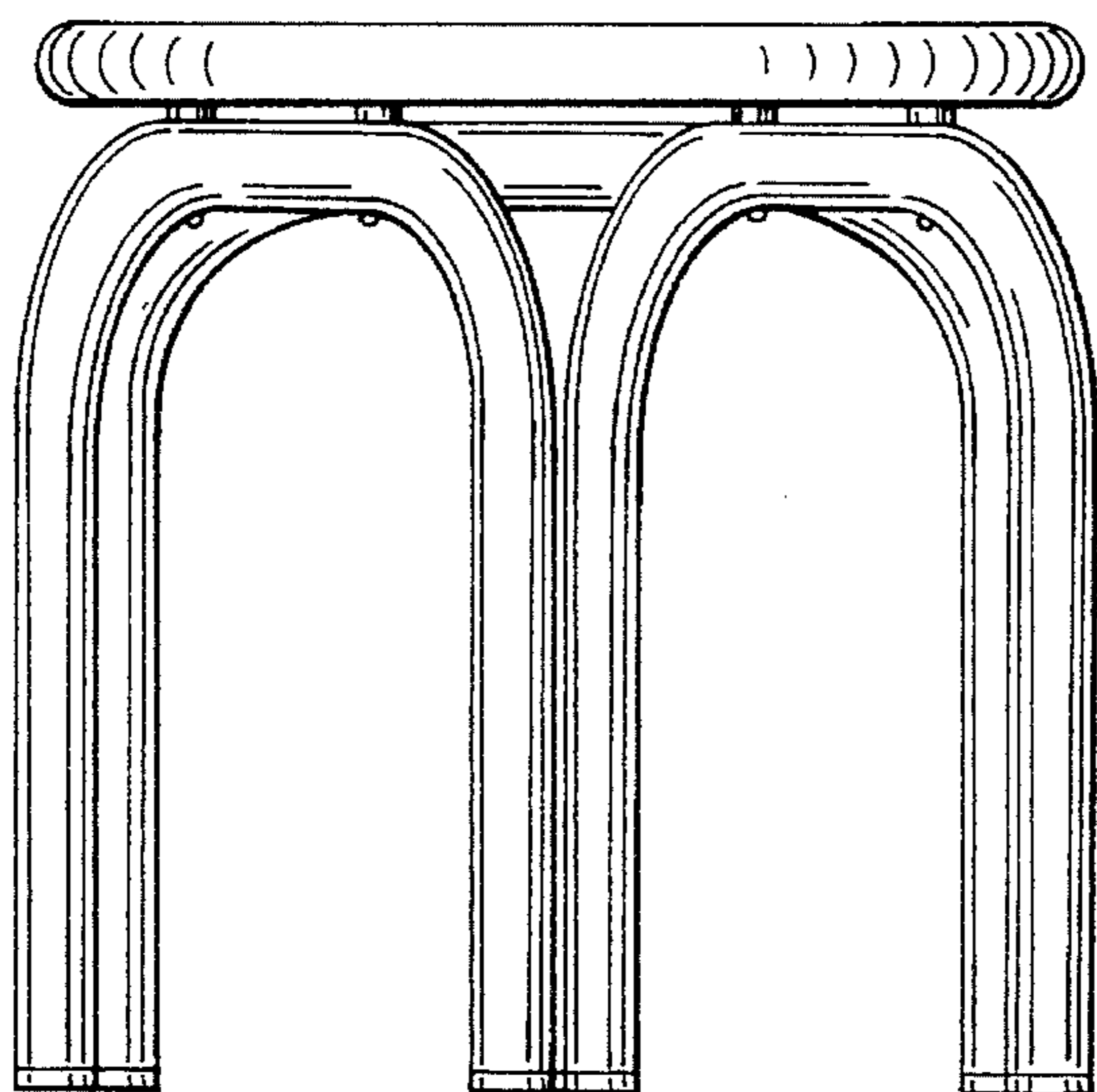


FIG. 10

FIG. 11

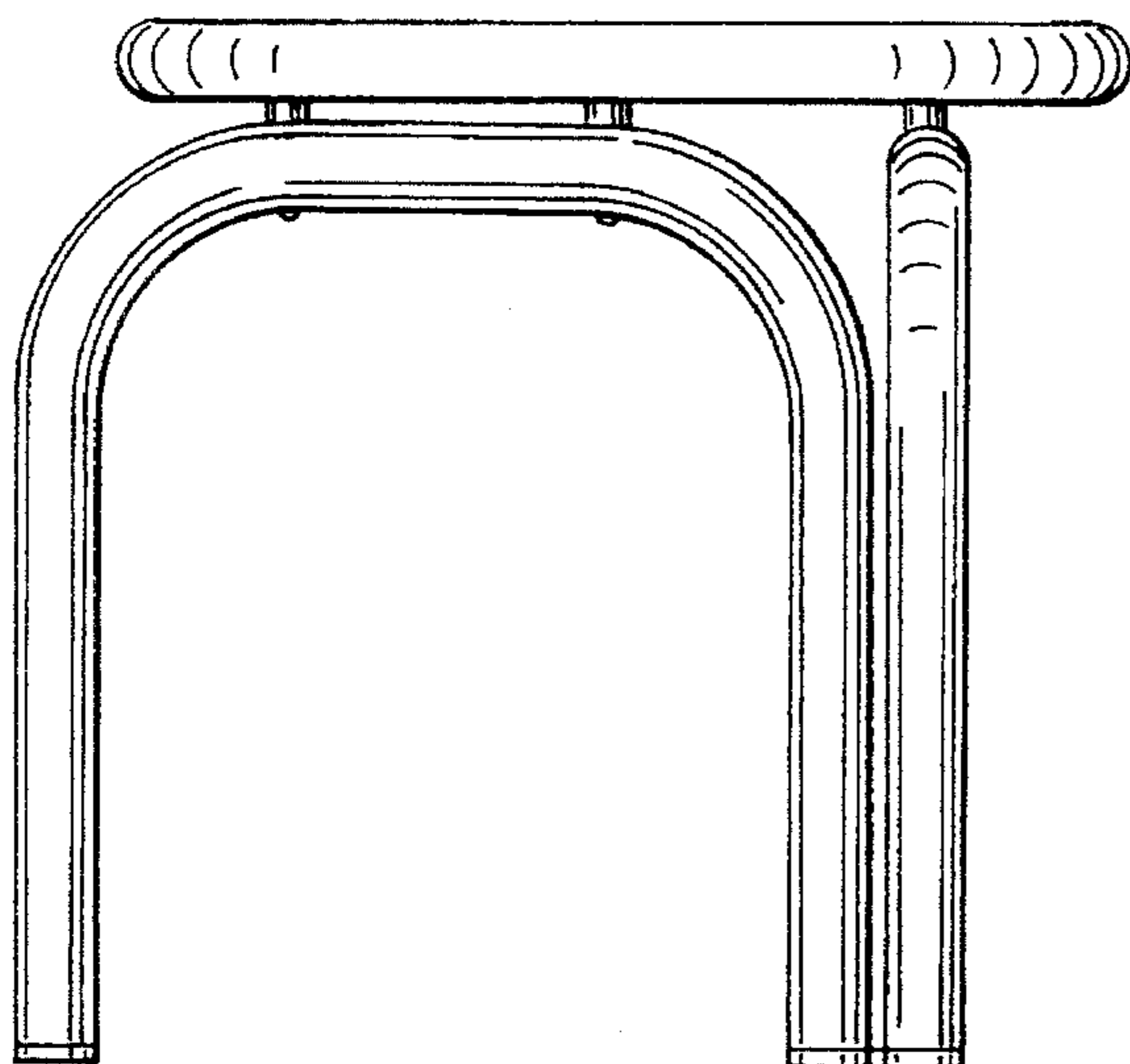


FIG. 12

