



US00D366764S

United States Patent [19] Hunt

[11] Patent Number: **Des. 366,764**

[45] Date of Patent: ****Feb. 6, 1996**

[54] **FRAME**

[76] Inventor: **Daniel R. Hunt**, 5116 Red Oak Dr.,
Mounds View, Minn. 55112

[**] Term: **14 Years**

[21] Appl. No.: **26,067**

[22] Filed: **Jul. 18, 1994**

[52] U.S. Cl. **D6/308**; D6/308

[58] **Field of Search** D6/300-303, 308-314;
40/152, 152.1, 152.2, 158.1, 159, 160,
606; D20/40, 42, 10

[56] **References Cited**

U.S. PATENT DOCUMENTS

1,350,302	8/1920	Eldridge	40/152
2,556,283	6/1951	Lieberman	40/152
2,971,282	2/1961	Petrey	40/152
4,270,287	6/1981	Gimbel	40/152

Primary Examiner—Janice E. Seeger
Attorney, Agent, or Firm—John J. Leavitt

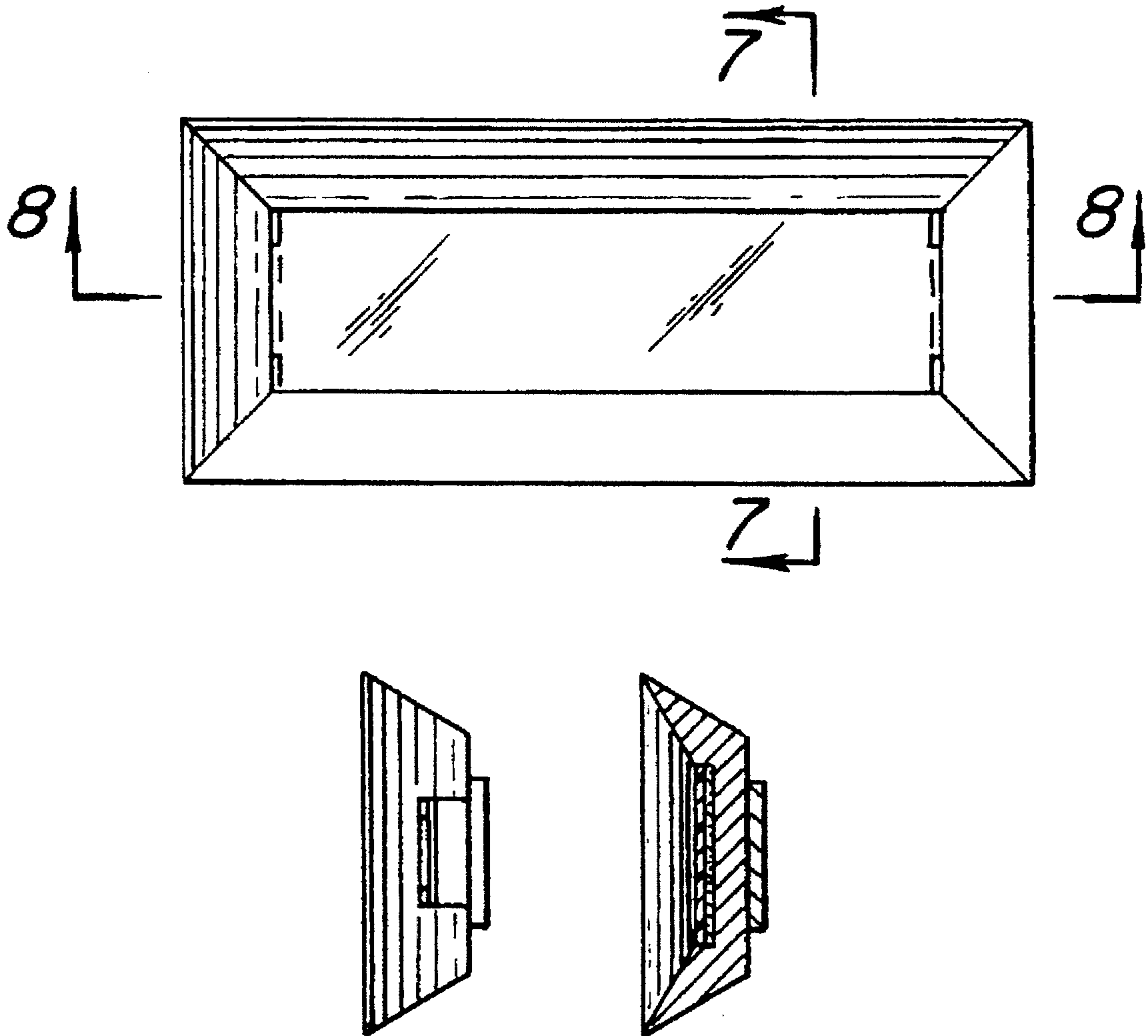
[57] **CLAIM**

The ornamental design for a frame, as shown and described.

DESCRIPTION

FIG. 1 is a front elevational view of my frame showing my new design;
FIG. 2 is a right side elevational view thereof;
FIG. 3 is a left side elevational view thereof;
FIG. 4 is a rear elevational view thereof;
FIG. 5 is a bottom plan view thereof;
FIG. 6 is a top plan view thereof;
FIG. 7 is a vertical cross-sectional view taken in the plane indicated by the line 7—7 in FIG. 1; and,
FIG. 8 is a horizontal cross-sectional view taken in the plane indicated by the line 8—8 in FIG. 1.

1 Claim, 1 Drawing Sheet



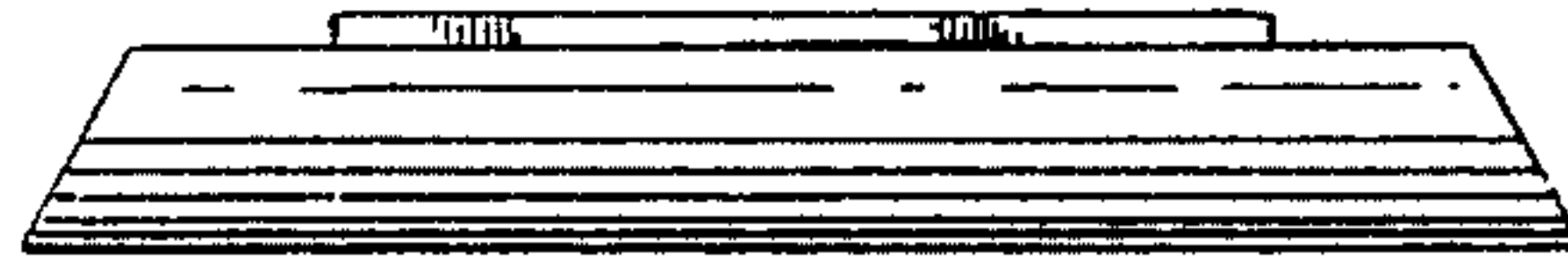


FIG. 6

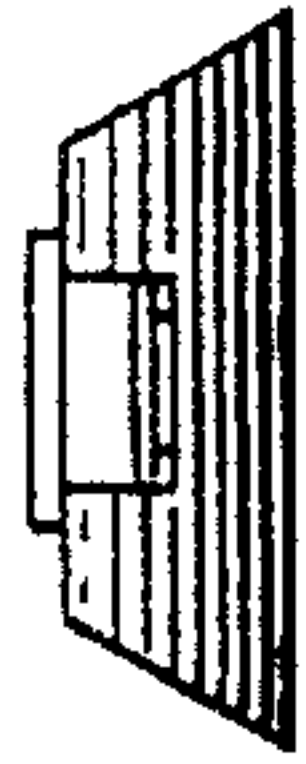


FIG. 3

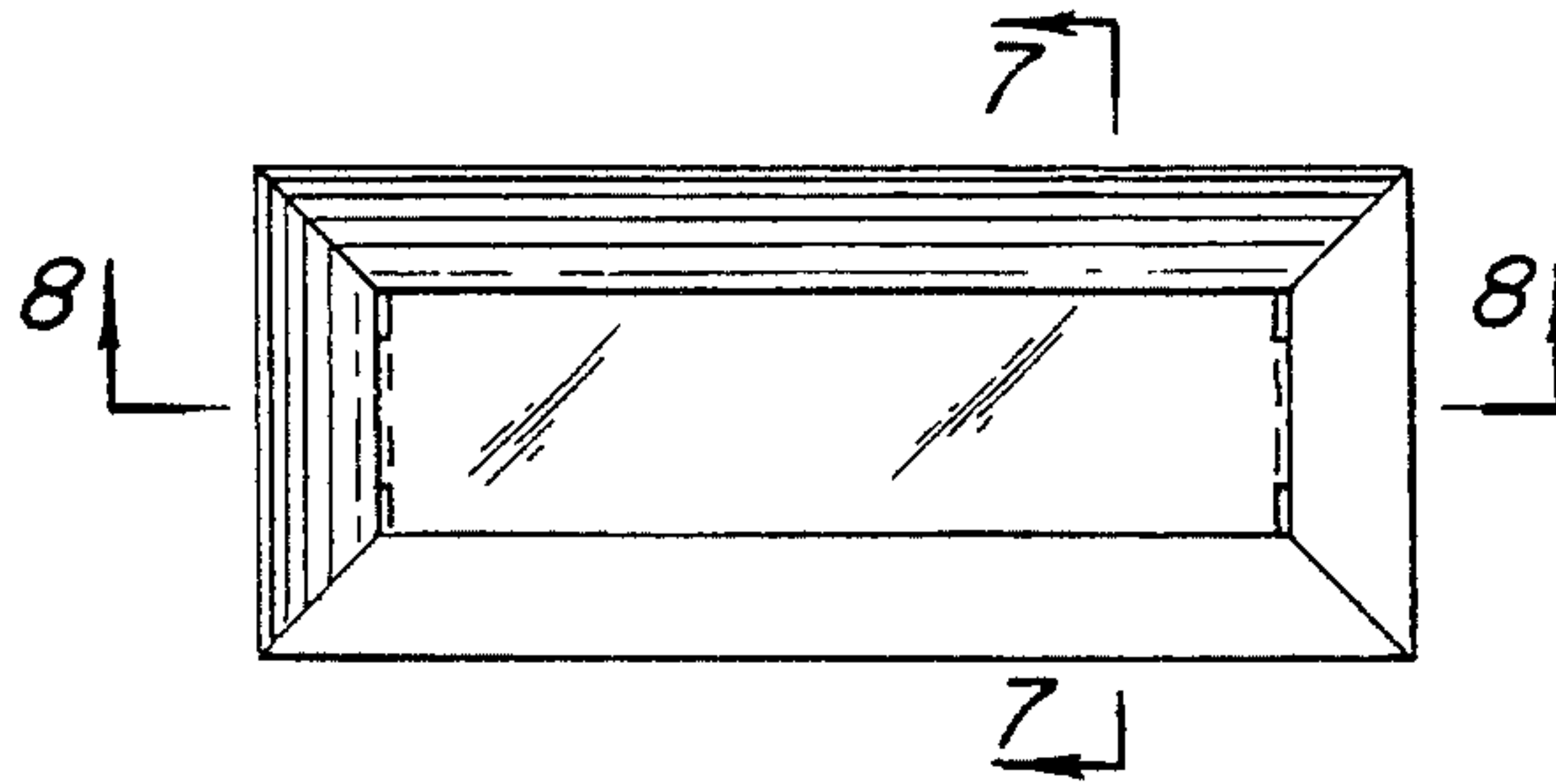


FIG. 1



FIG. 2



FIG. 7



FIG. 5



FIG. 8

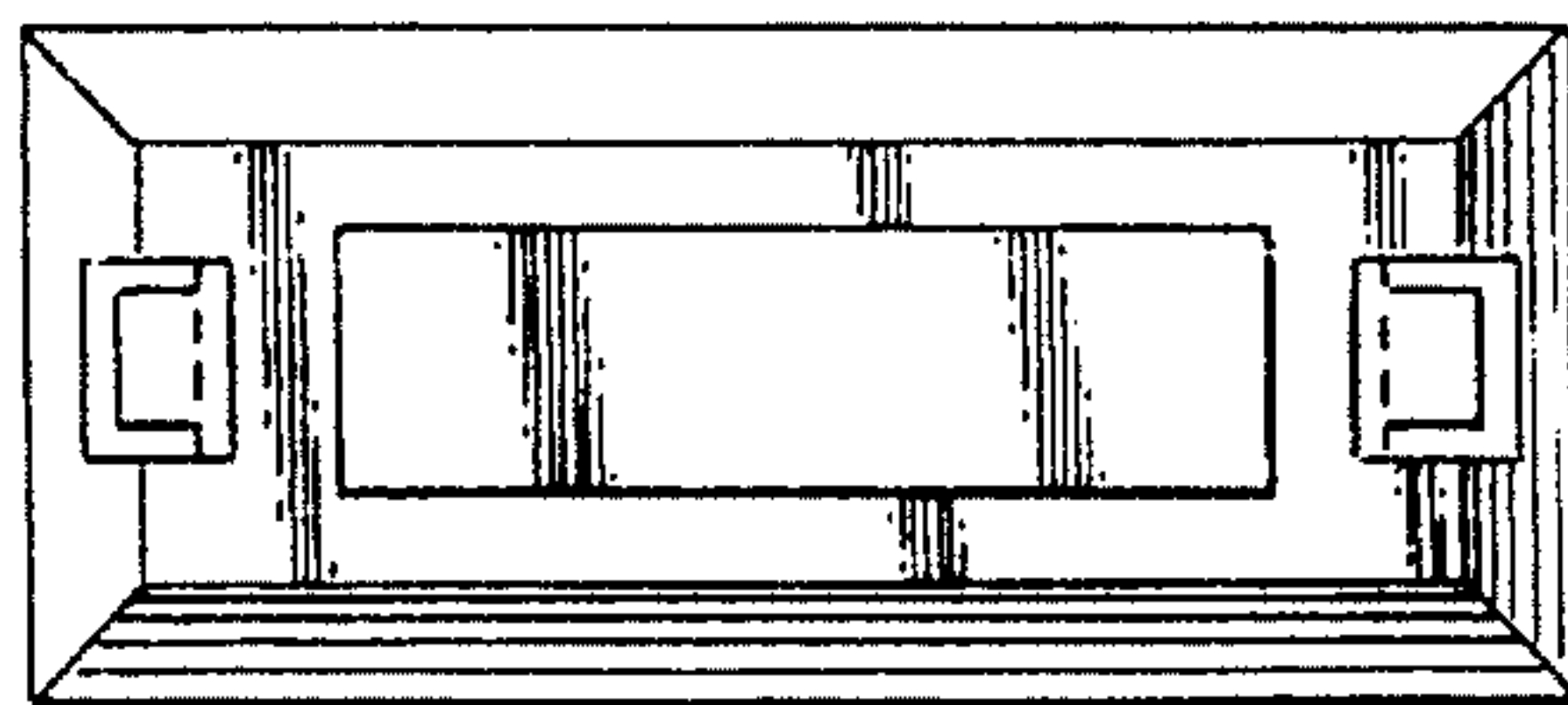


FIG. 4