



US00D366762S

United States Patent [19] Ward

[11] Patent Number: **Des. 366,762**

[45] Date of Patent: ****Feb. 6, 1996**

[54] BRUSH HEAD AND HANDLE UNIT

[76] Inventor: **Richard K. Ward**, The Paddocks,
Lapworth Street, Lapworth, Solihull,
England

[**] Term: **14 Years**

[21] Appl. No.: **917,443**

[22] Filed: **Jul. 23, 1992**

[52] U.S. Cl. **D4/136; D4/121**

[58] Field of Search **D4/132, 134, 136,
D4/138, 130; D30/158; 15/143.1, 159.1,
160, 186-188; 119/83, 86-88, 93-94**

[56] References Cited

U.S. PATENT DOCUMENTS

D. 163,271	5/1951	Gibo	D4/136
D. 229,619	12/1973	Sleith	D30/158
D. 288,989	3/1987	Camardello	D4/138
422,772	3/1890	Haerberle	119/93
1,127,486	2/1915	Midgely	119/93
1,818,495	8/1931	Midgely	119/93
4,860,692	8/1989	Beard	119/88

FOREIGN PATENT DOCUMENTS

644610 10/1928 France 119/93

Primary Examiner—A. Hugo Word
Assistant Examiner—Lavone D. Tabor
Attorney, Agent, or Firm—Nixon & Vanderhye

[57] CLAIM

The ornamental design for a brush head and handle unit, as shown and described.

DESCRIPTION

FIG. 1 is an assembled perspective view;
FIG. 2 is a partially disassembled perspective view thereof;
FIG. 3 is a front view of FIG. 1;
FIG. 4 is a rear view thereof;
FIG. 5 is a side view thereof, the opposite side being a mirror image;
FIG. 6 is a top plan view thereof; and,
FIG. 7 is a bottom plan view thereof.
The broken lines showing the bristles are for illustrative purposes only and form no part of the claimed design.

1 Claim, 4 Drawing Sheets

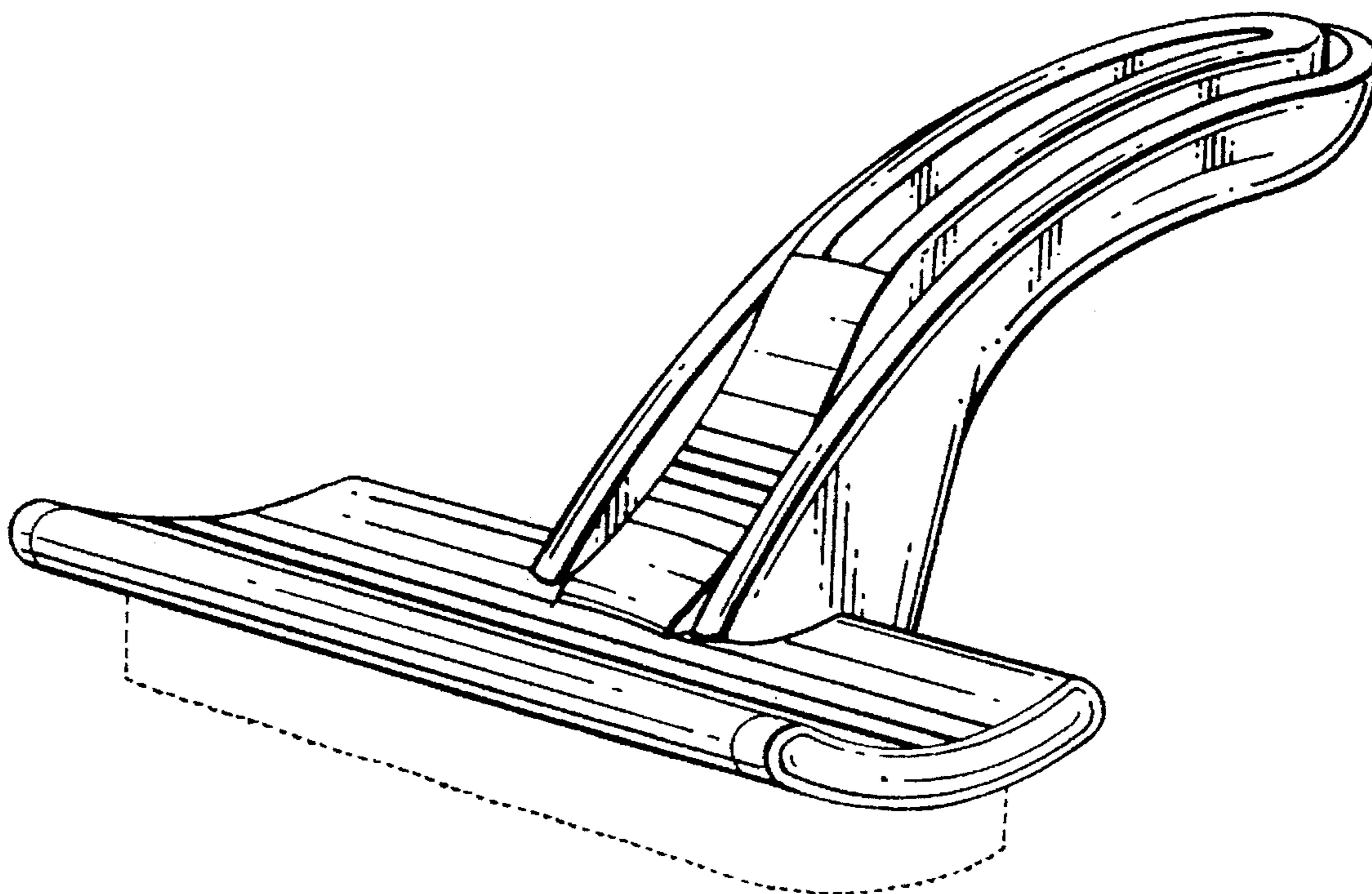


FIG. 1

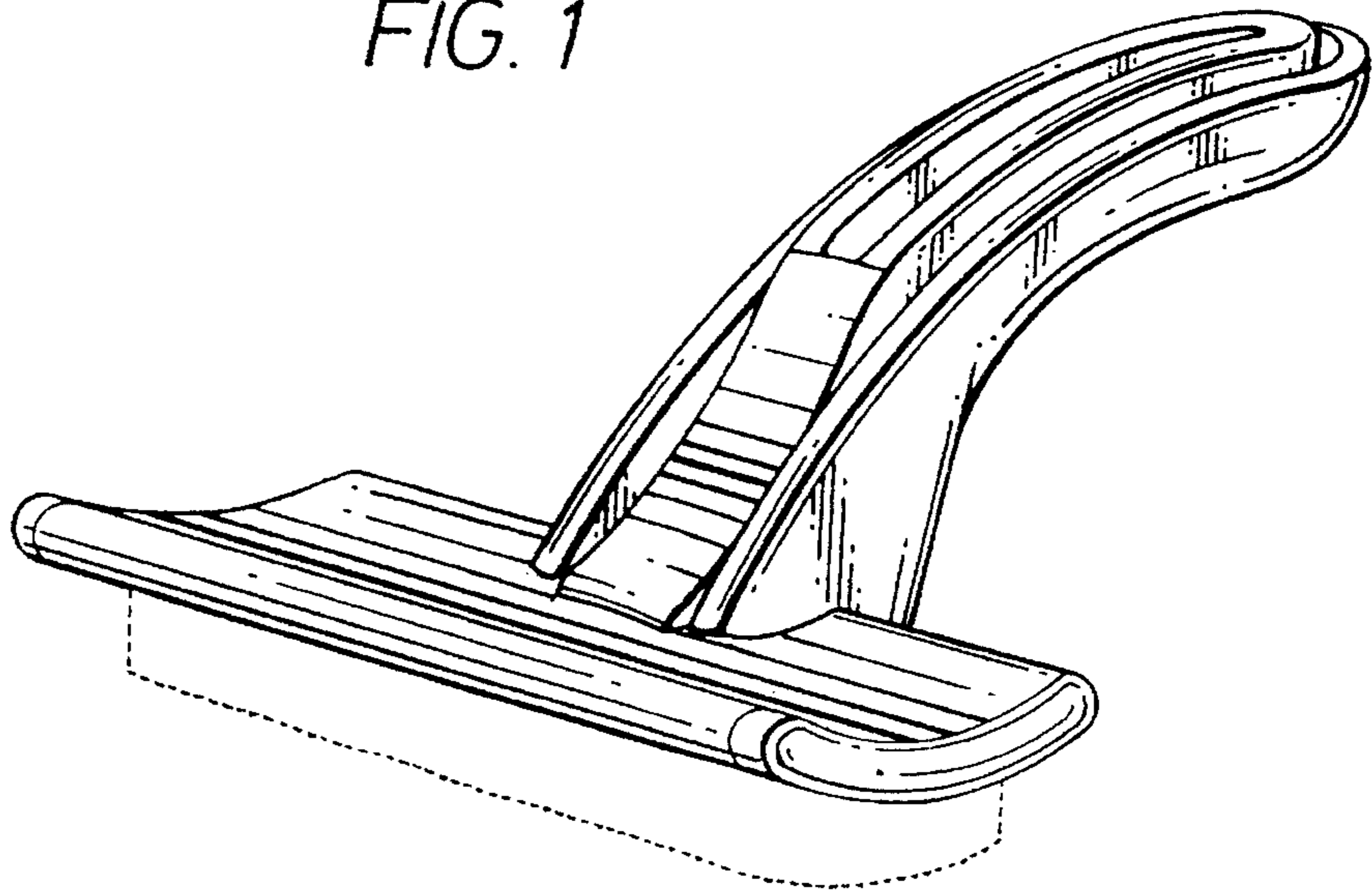


FIG. 2

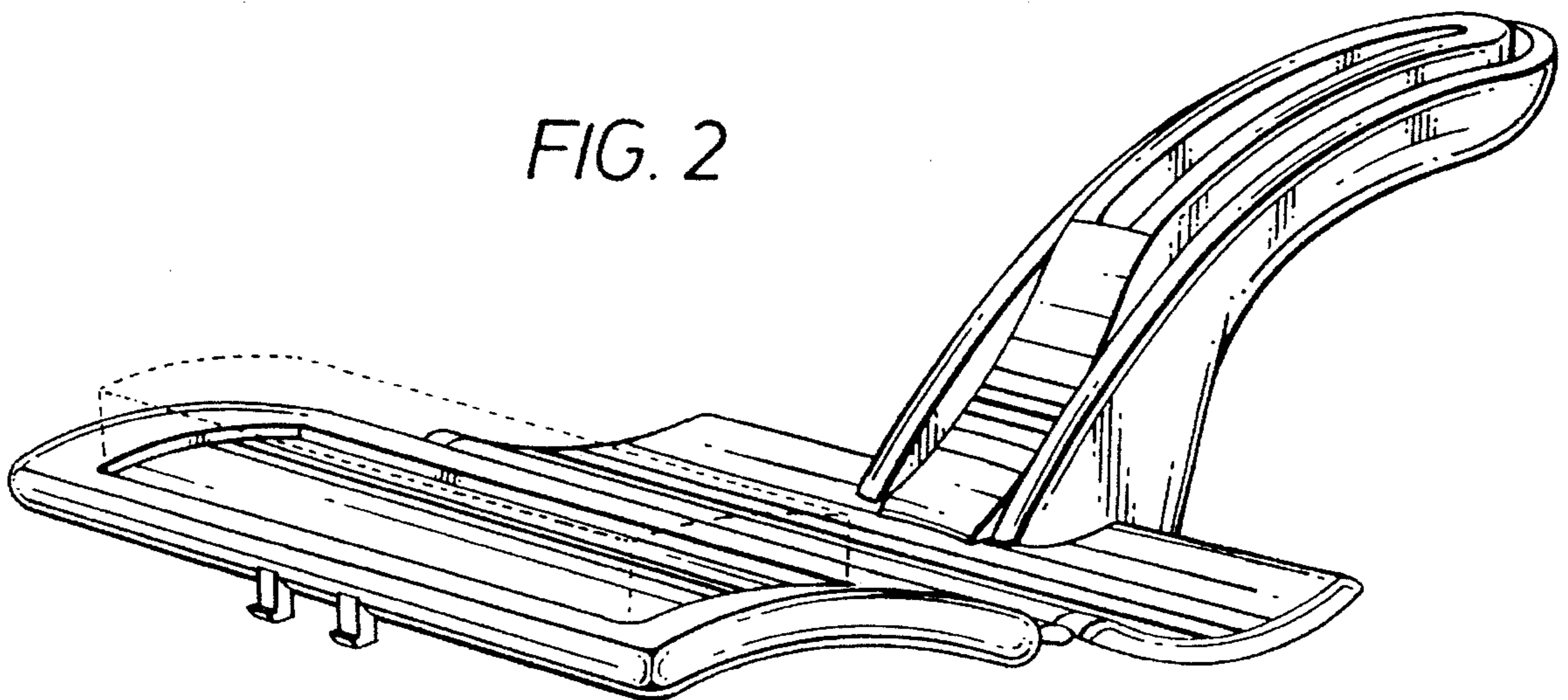


FIG. 3

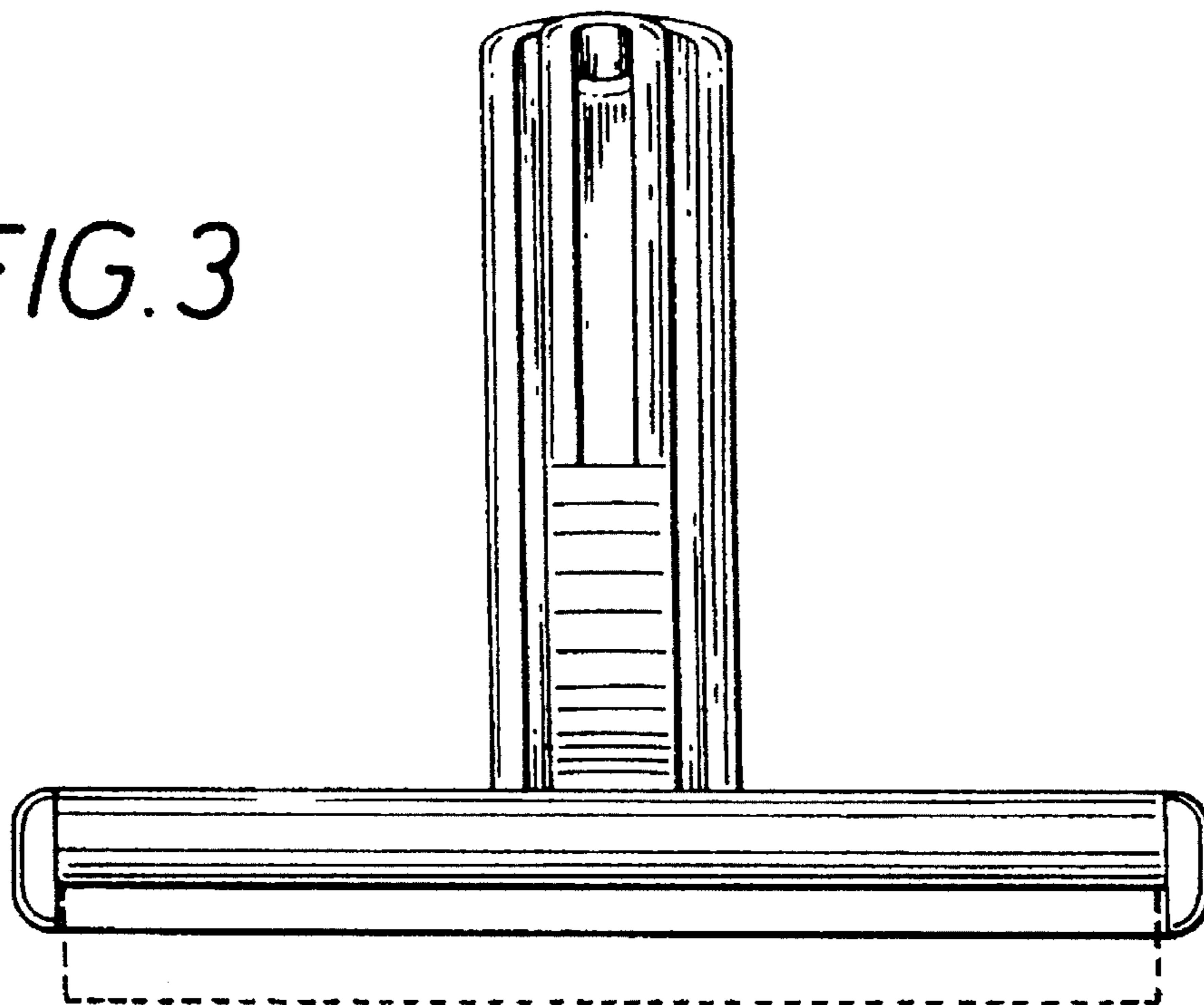
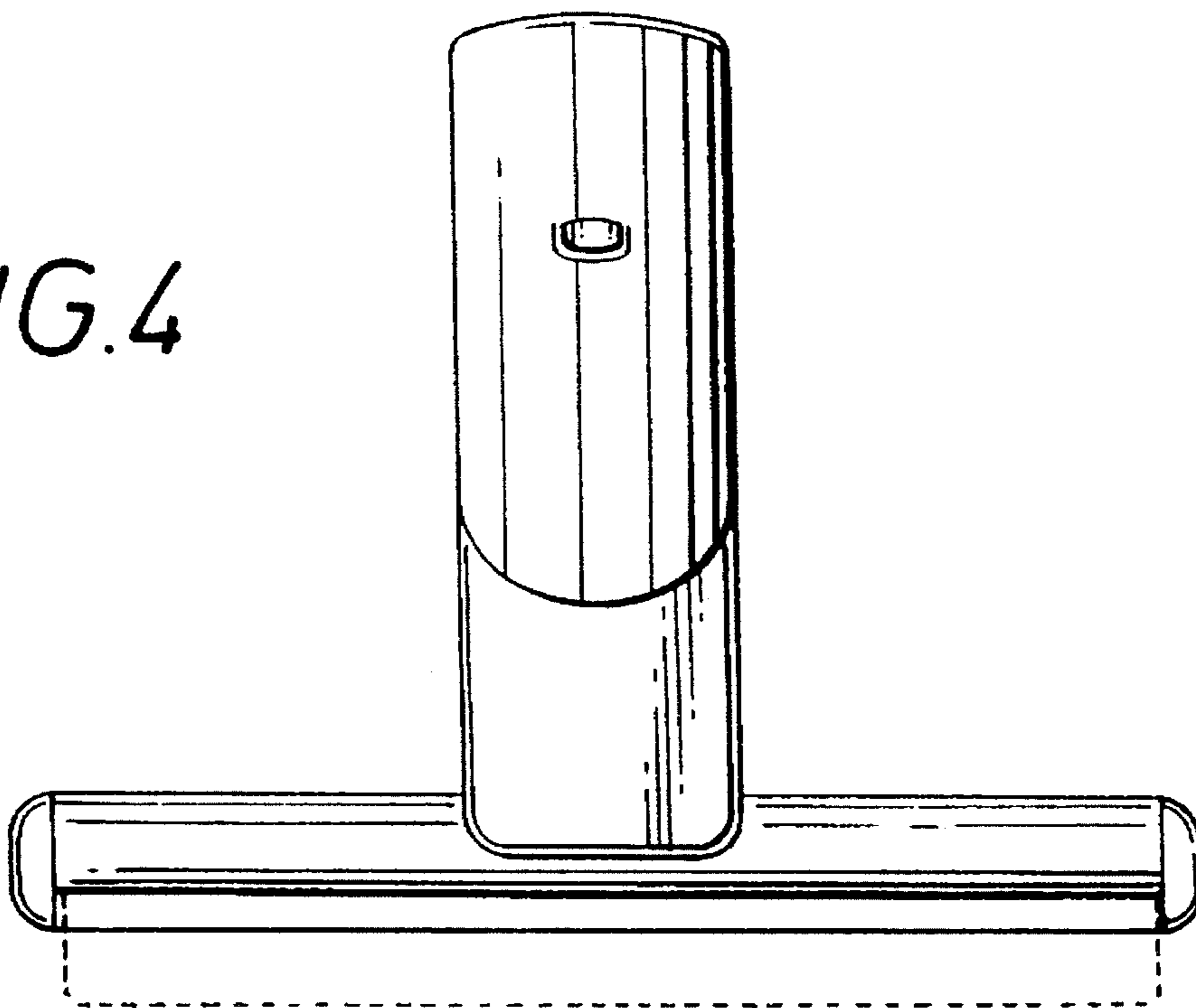


FIG. 4



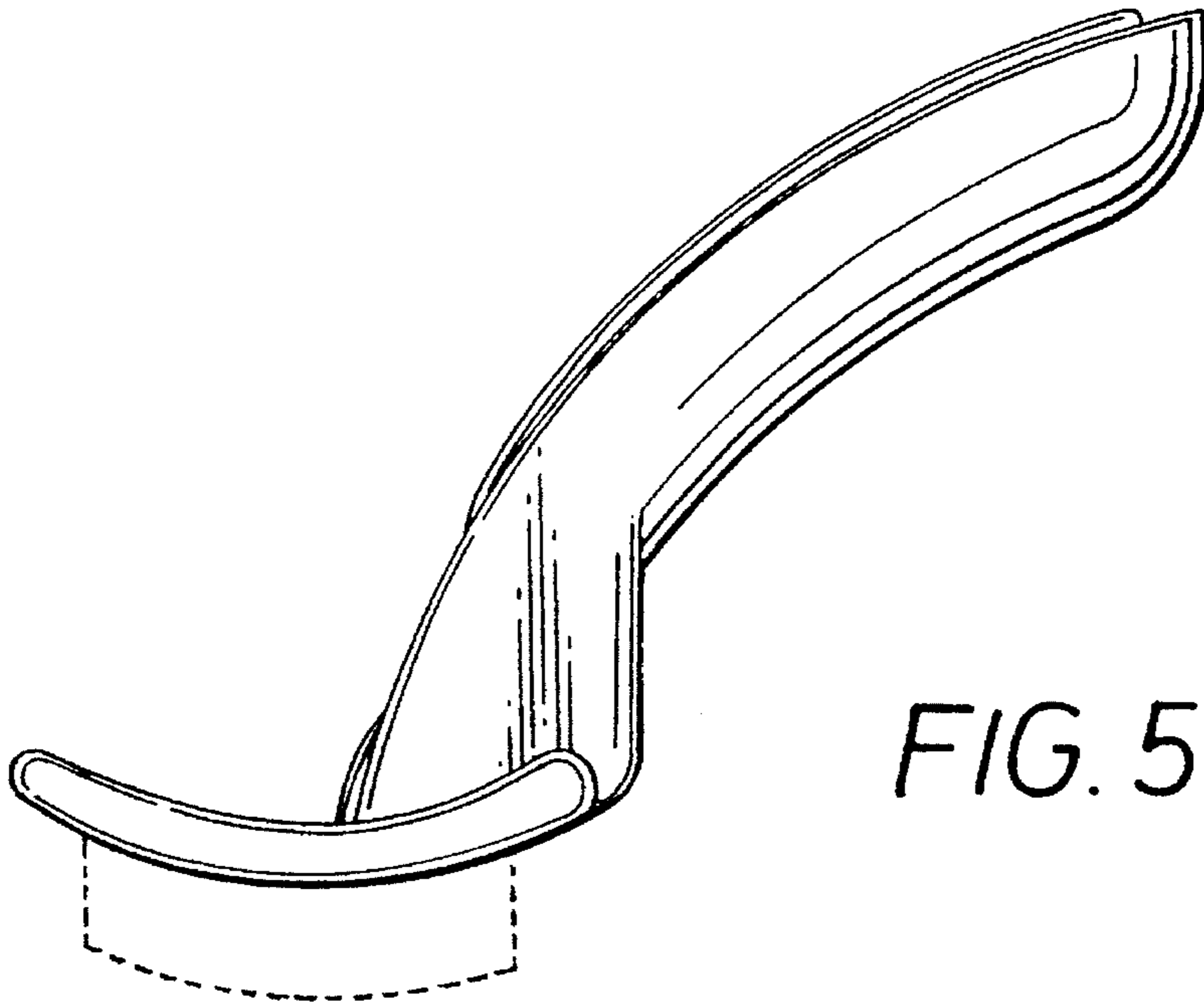


FIG. 5

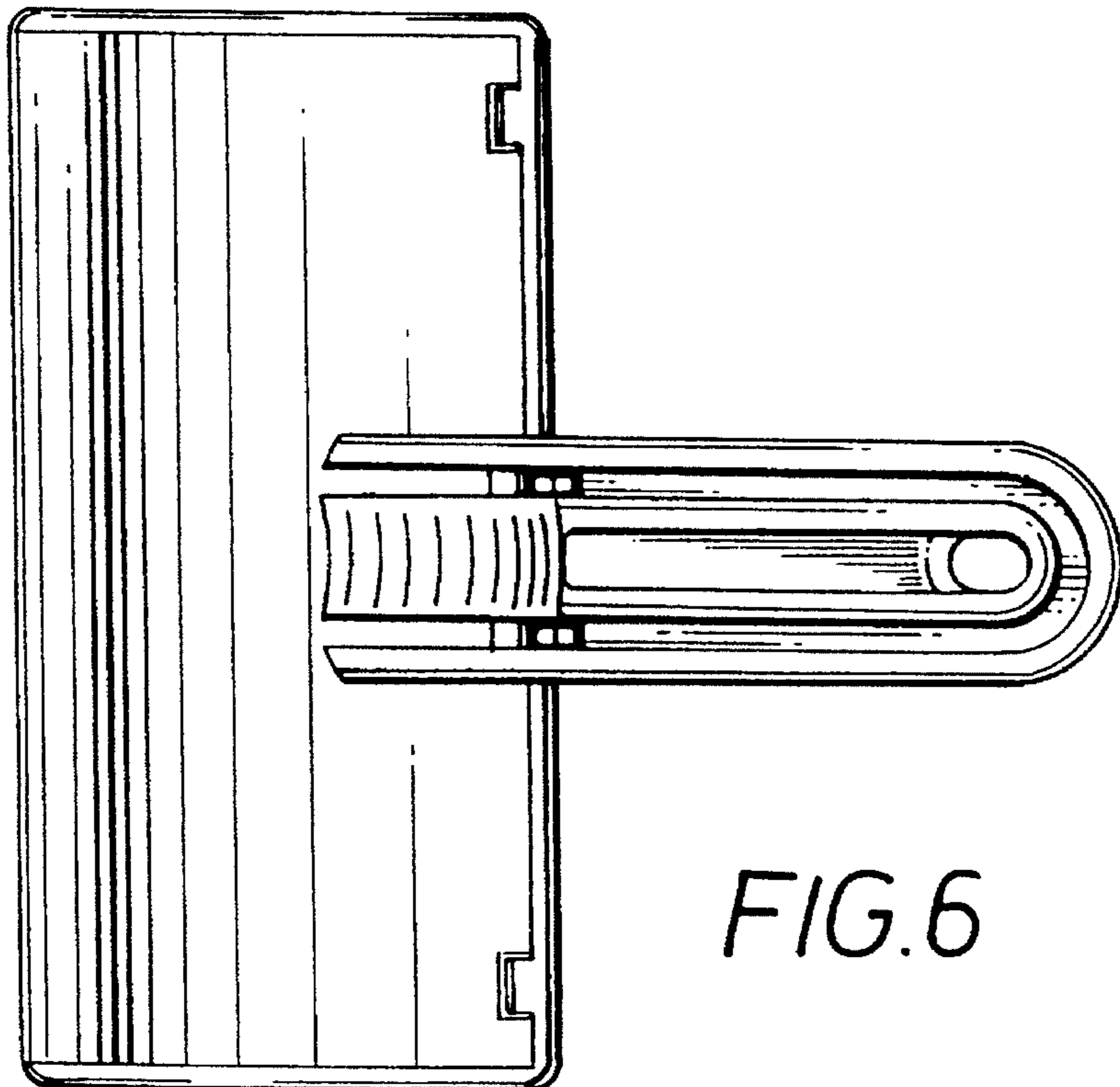


FIG. 6

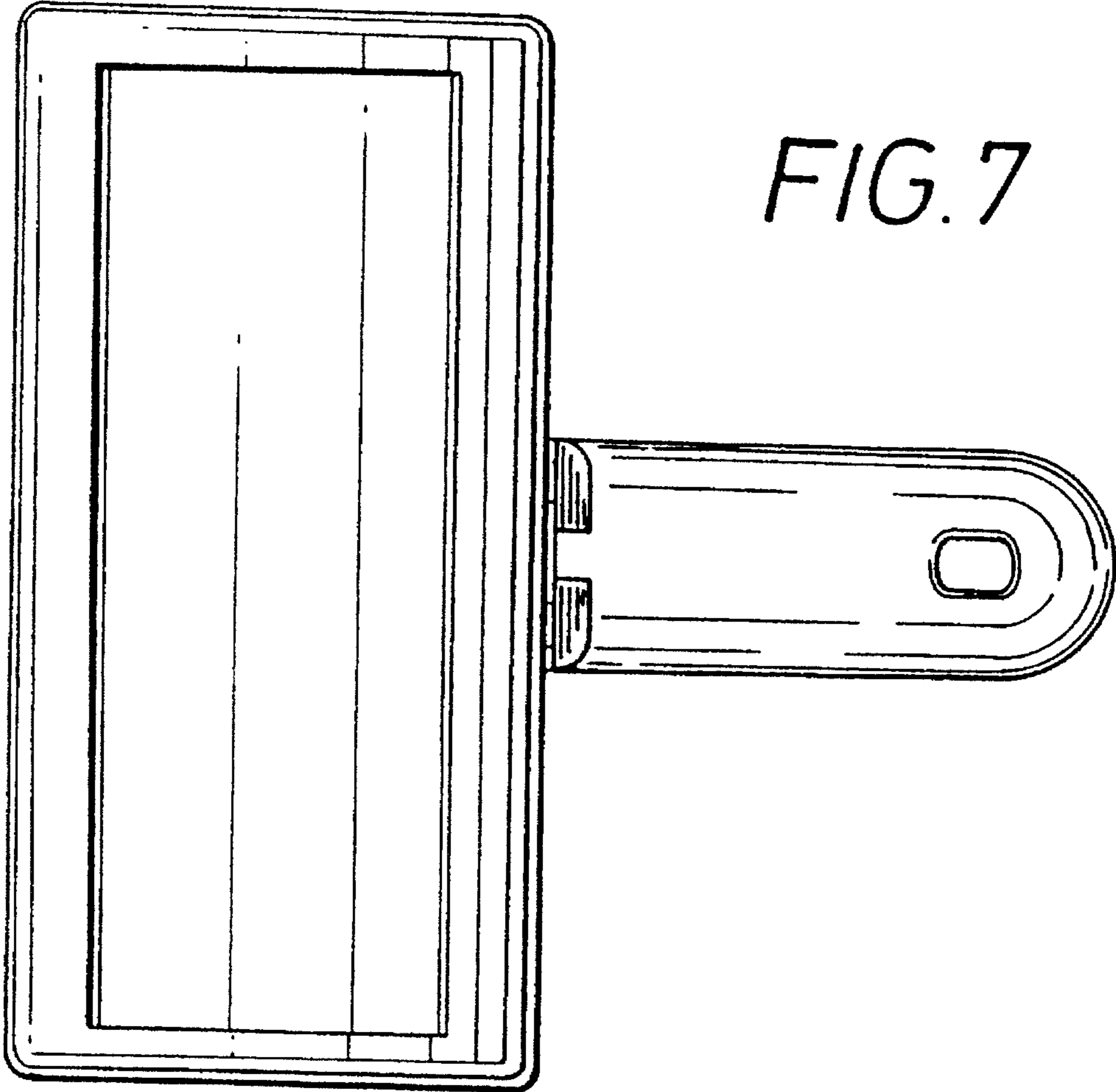


FIG. 7