



US00D366753S

United States Patent [19]
Solo

[11] **Patent Number:** **Des. 366,753**
[45] **Date of Patent:** ****Feb. 6, 1996**

[54] **ARTICLE ATTACHABLE TO FOOTWEAR**

[76] Inventor: **Alan J. Solo**, 1835 Burnett St.,
Brooklyn, N.Y. 11229

[**] Term: **14 Years**

[21] Appl. No.: **38,315**

[22] Filed: **May 3, 1995**

Related U.S. Application Data

[63] Continuation-in-part of Ser. No. 30,696, Nov. 4, 1994, and
a continuation-in-part of Ser. No. 30,695, Nov. 4, 1994.

[52] **U.S. Cl.** **D2/946**

[58] **Field of Search** D2/946, 905, 976;
36/132, 136

[56] **References Cited**

U.S. PATENT DOCUMENTS

D. 336,971	7/1993	Flisek	D2/905
D. 359,839	7/1995	Silva	D2/946
2,830,585	4/1958	Weiss	36/7.1 R X
3,114,982	12/1963	McGowan	D2/905 X
4,507,882	4/1985	Harrell	36/136
5,094,016	3/1992	DiVito	36/136
5,311,679	5/1994	Birch	36/136

Primary Examiner—Nelson C. Holtje
Attorney, Agent, or Firm—Lackenbach Siegel Marzullo
Aronson & Greenspan

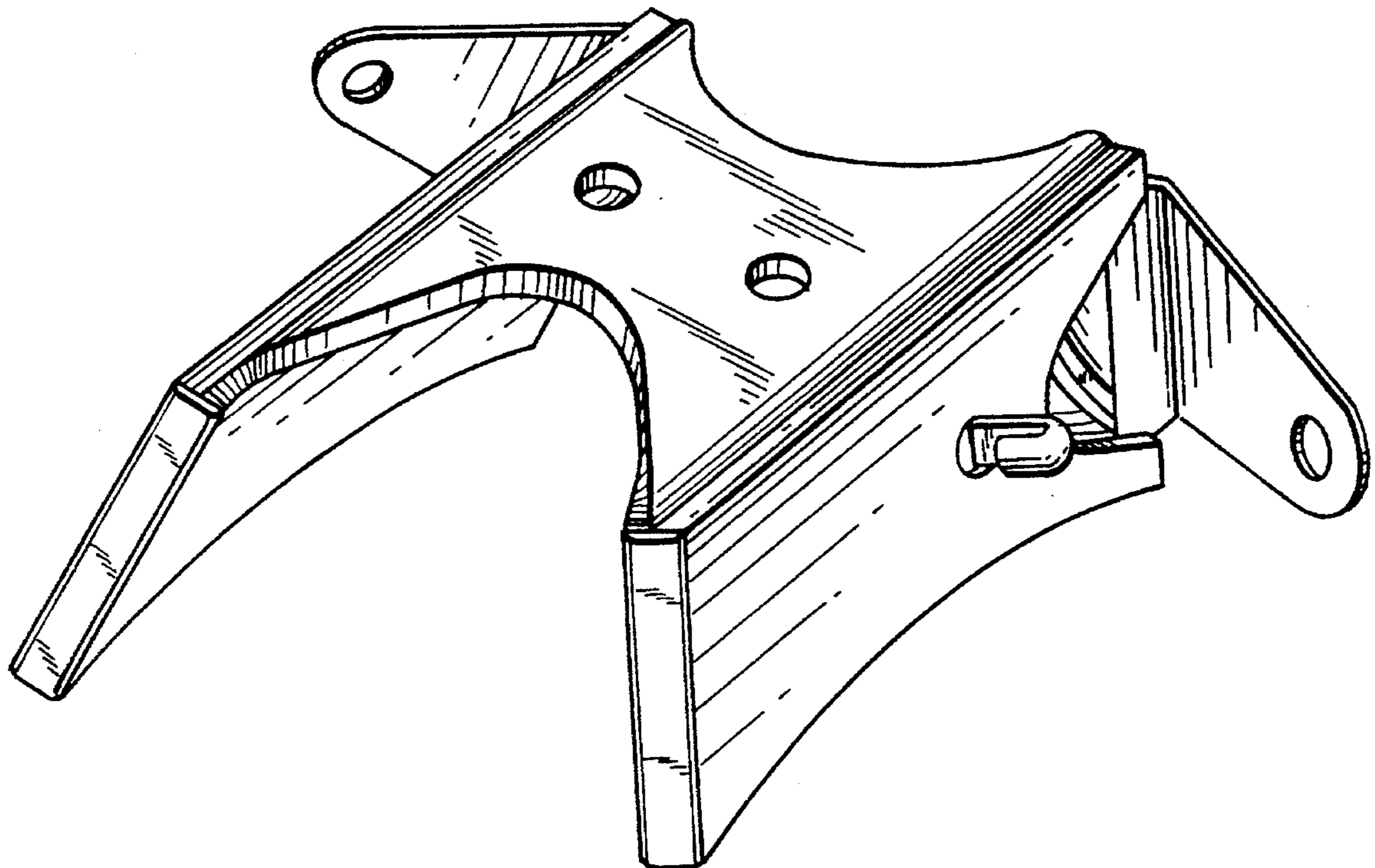
[57] **CLAIM**

The ornamental design for an article attachable to footwear,
as shown and described.

DESCRIPTION

FIG. 1 is a perspective view of an article carrier attachable to footwear, showing my new design;
FIG. 2 is a perspective view thereof, as viewed from the underneath or reverse side normally in contact with the footwear;
FIG. 3 is a top plan view thereof;
FIG. 4 is a front elevational view thereof;
FIG. 5 is a right side elevational view thereof, the left side elevational view thereof (which is not shown) being a mirror reflection of FIG. 5;
FIG. 6 is a rear elevational view thereof;
FIG. 7 is a bottom plan view thereof;
FIG. 8 is a perspective view similar to FIG. 1, shown with the pockets thereof in an open condition;
FIG. 9 is a perspective view similar to FIG. 8, showing another embodiment thereof;
FIG. 10 is a perspective view similar to FIG. 9, showing a further embodiment thereof;
FIG. 11 is a perspective view similar to FIG. 9, showing an additional embodiment thereof; and,
FIG. 12 is similar to FIG. 10, showing another embodiment thereof.

1 Claim, 5 Drawing Sheets



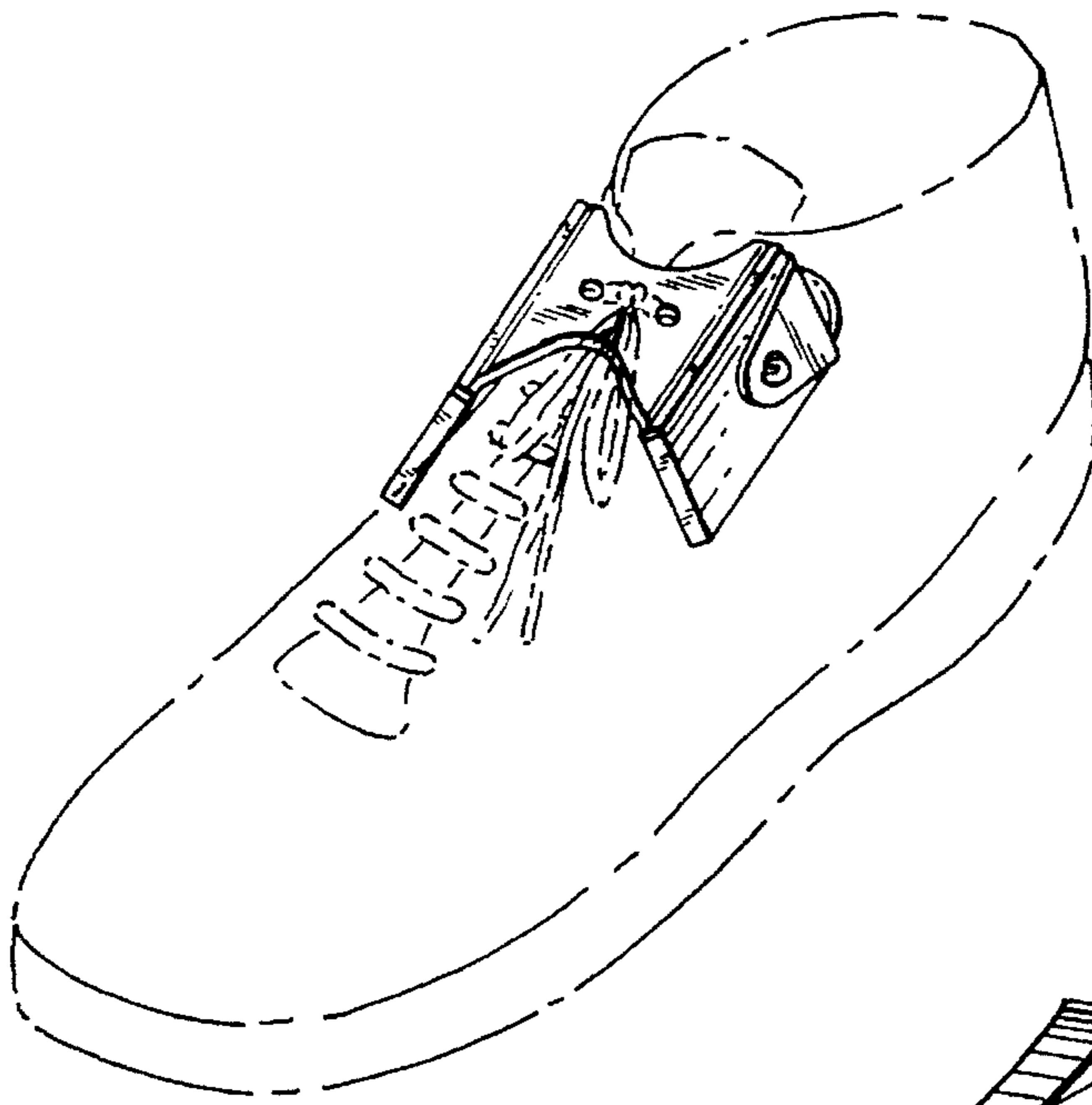


FIG. 1

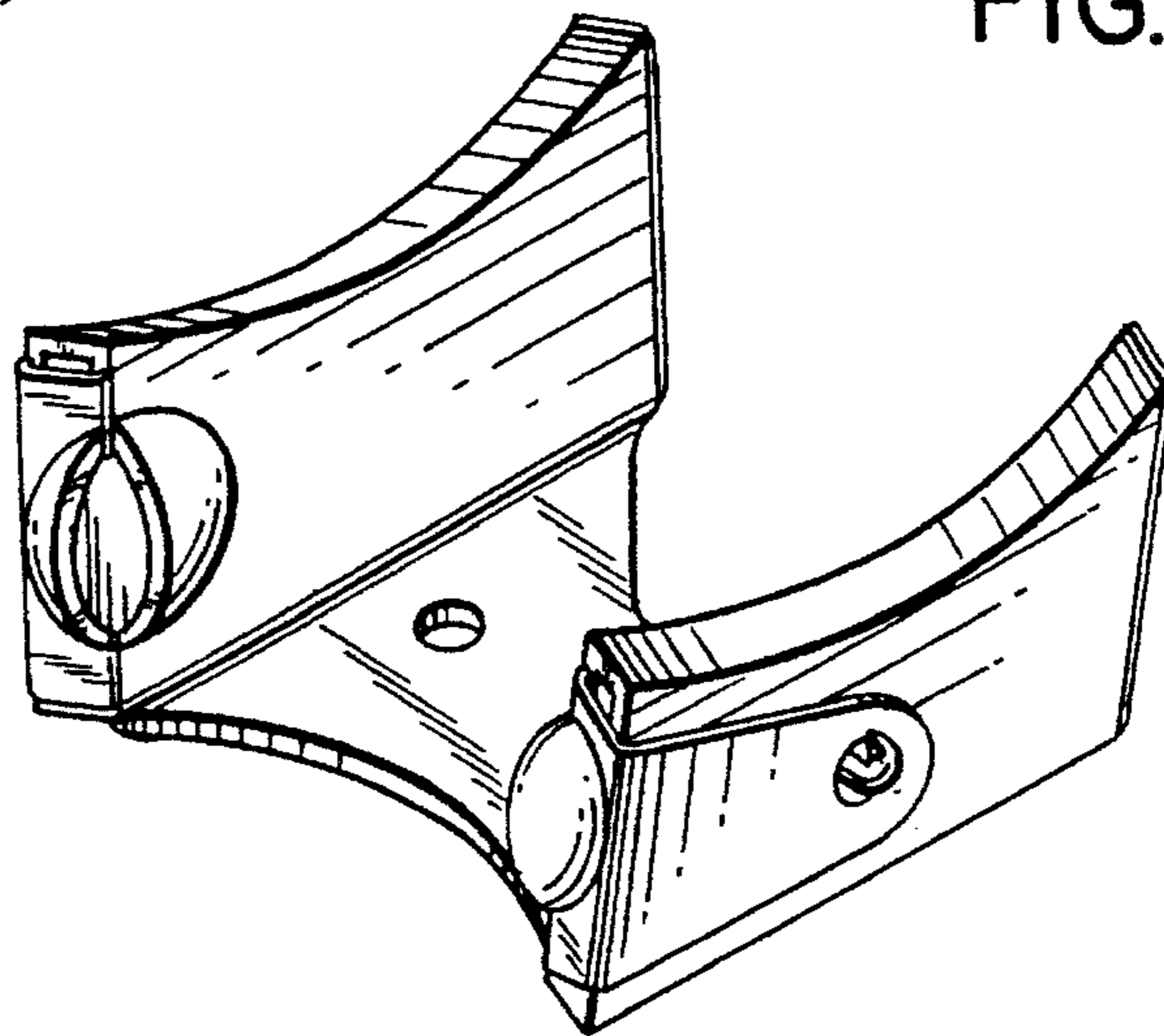


FIG. 2

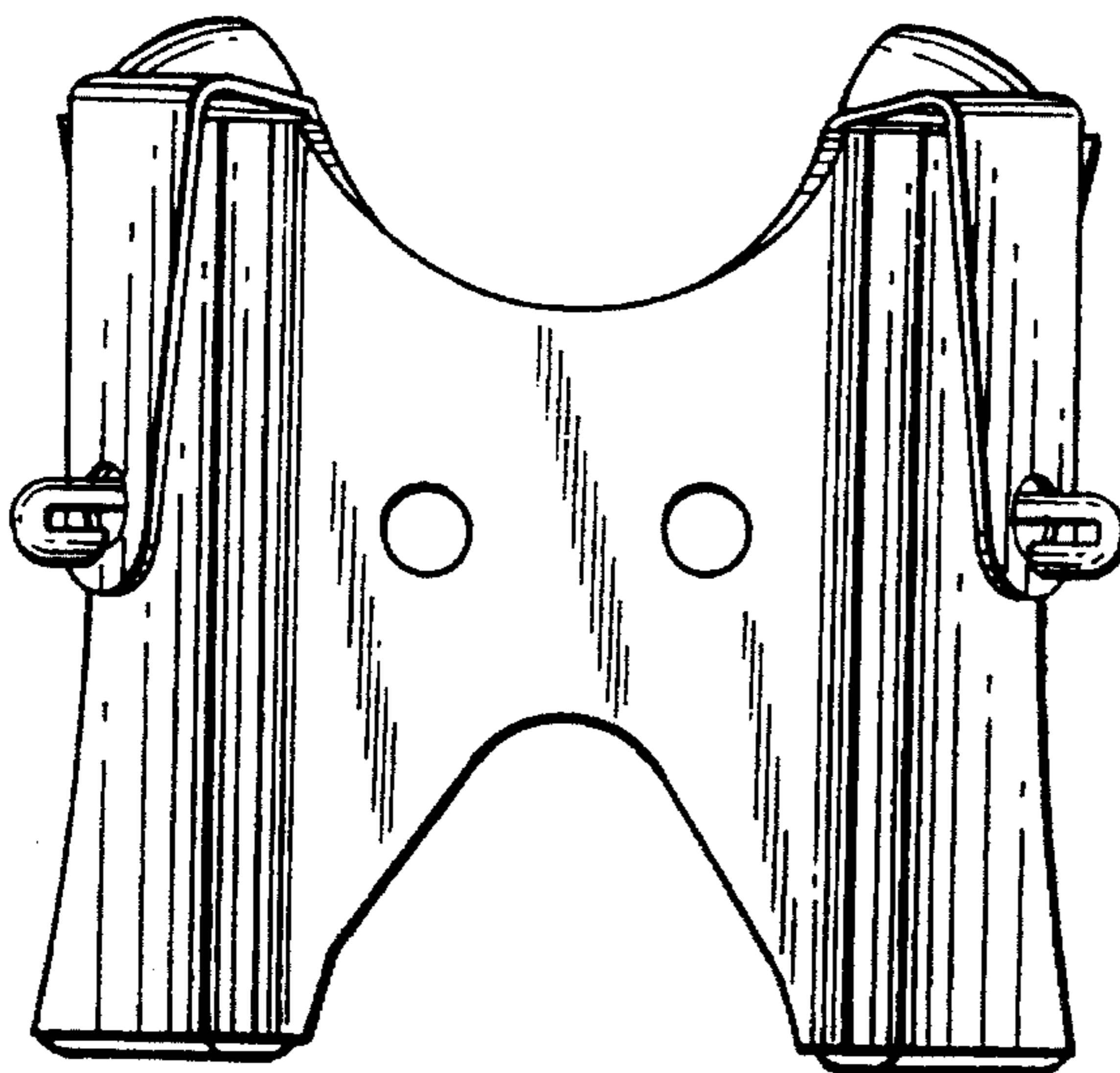


FIG. 3

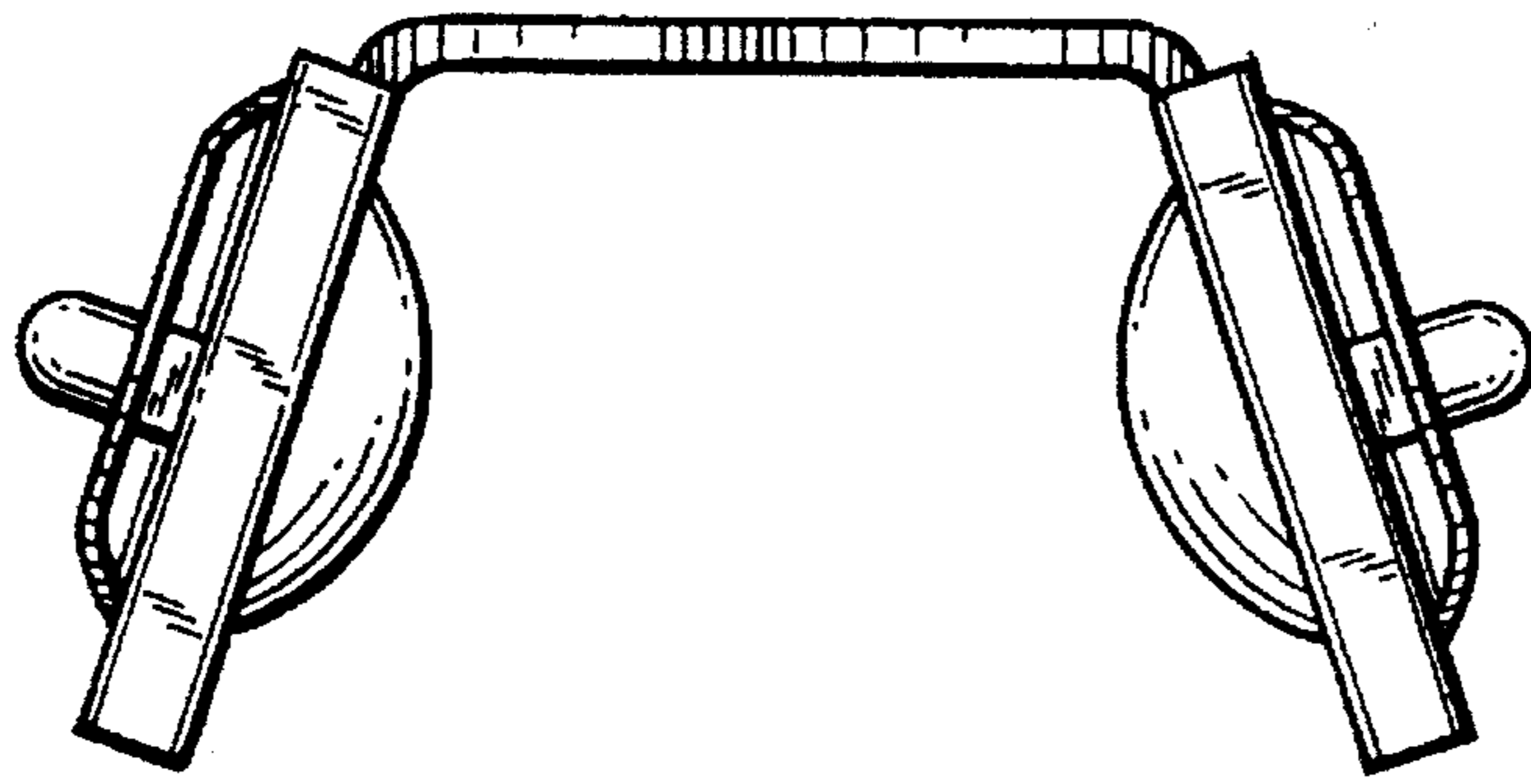


FIG. 4

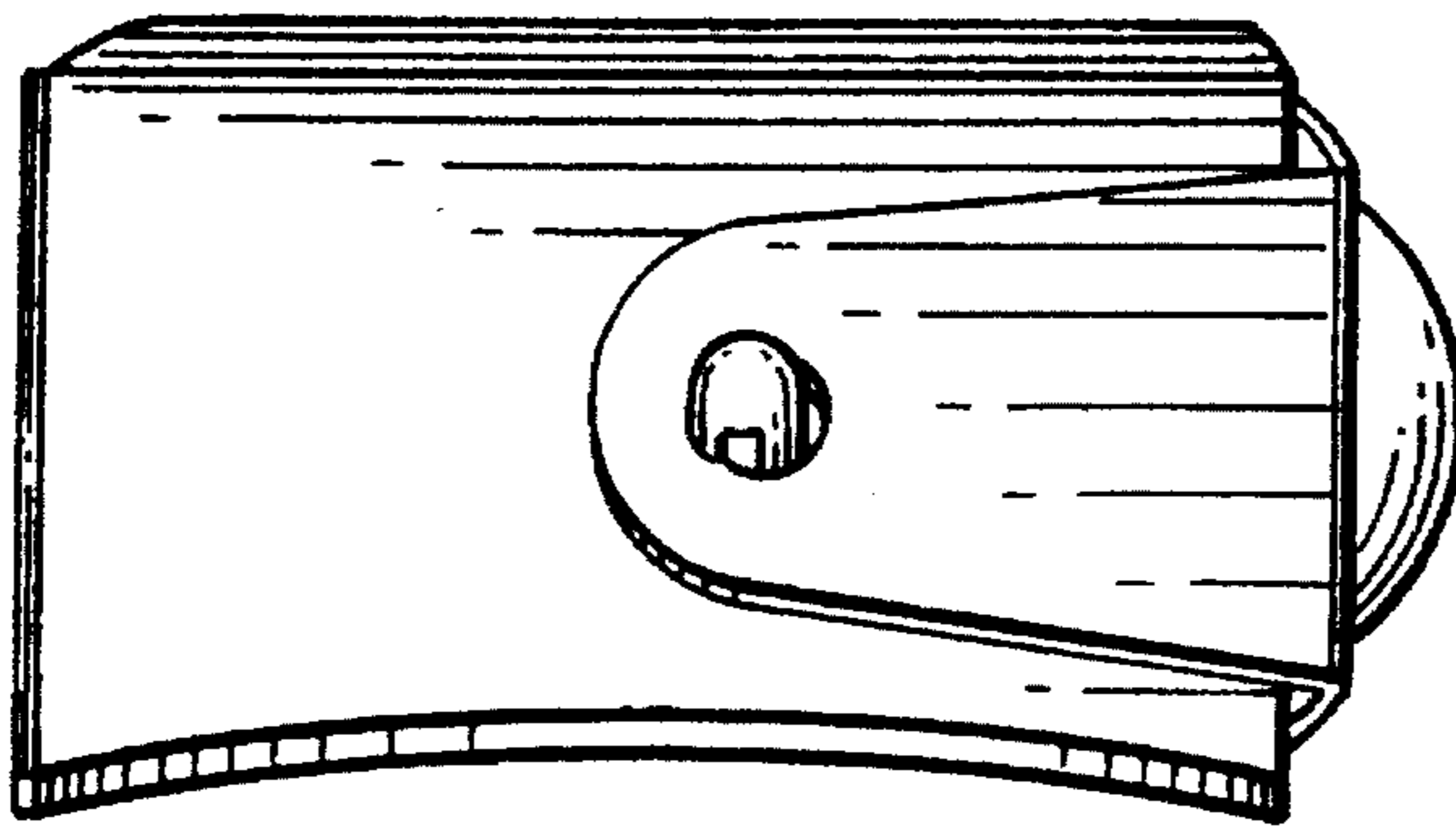


FIG. 5

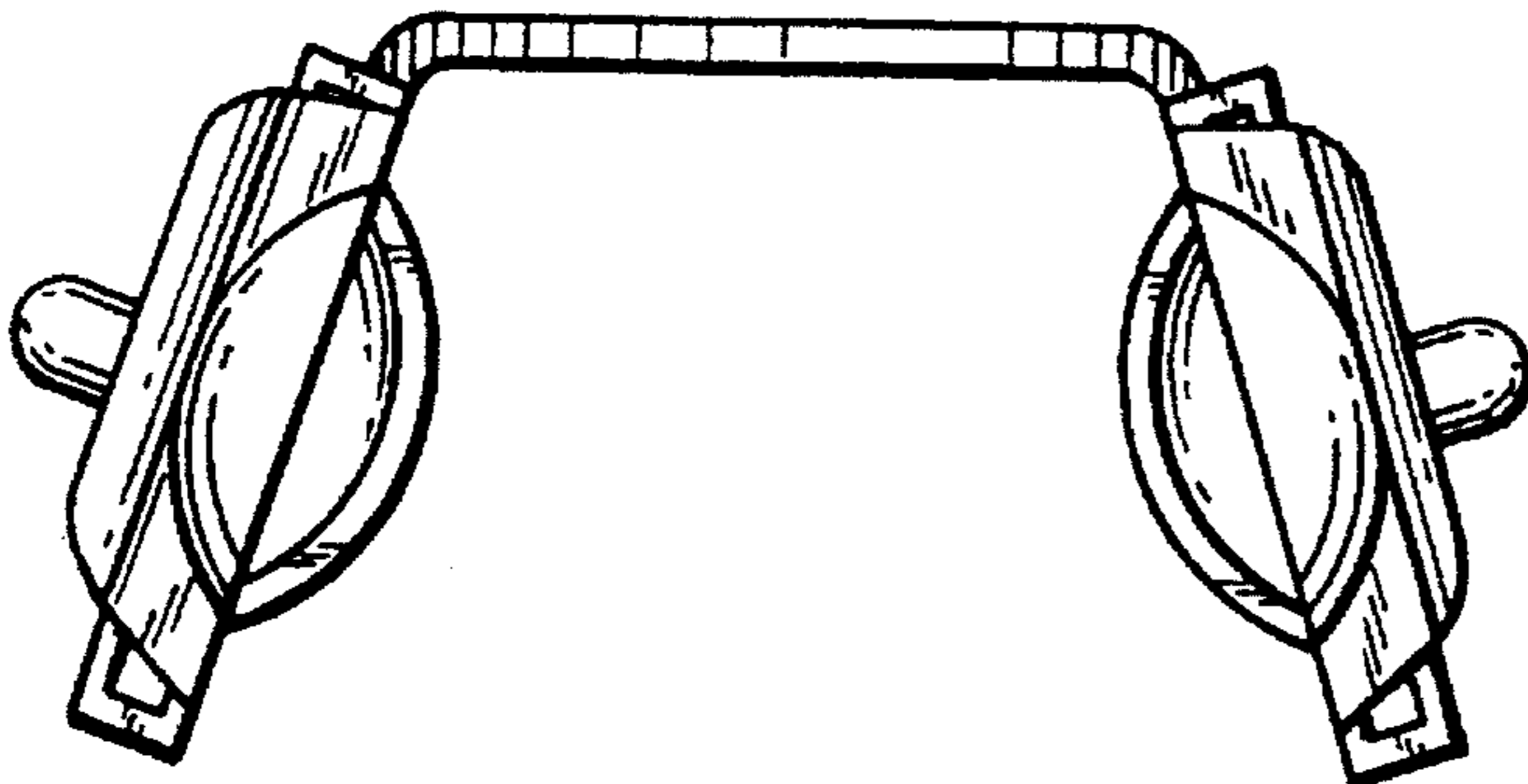


FIG. 6

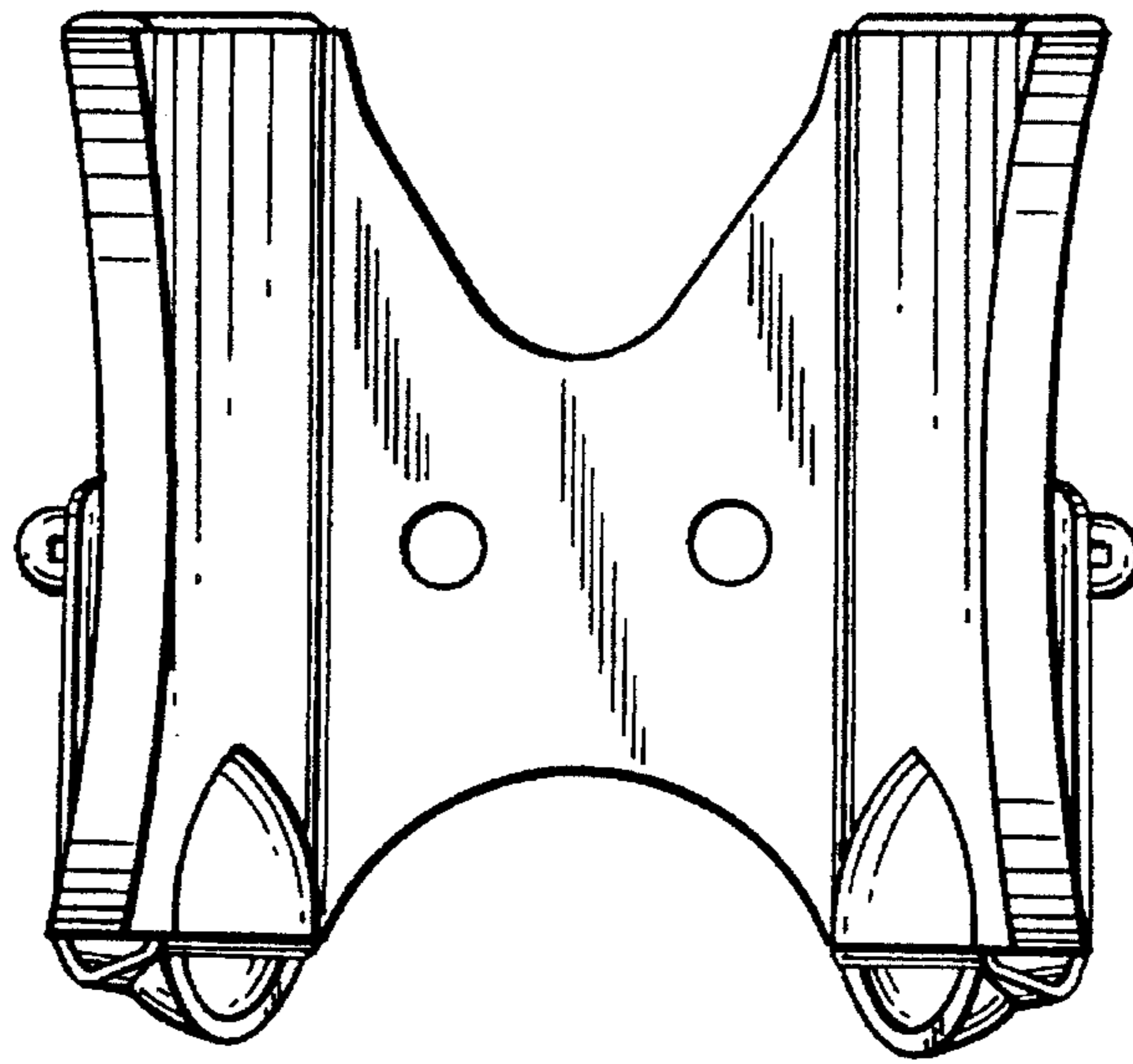


FIG. 7

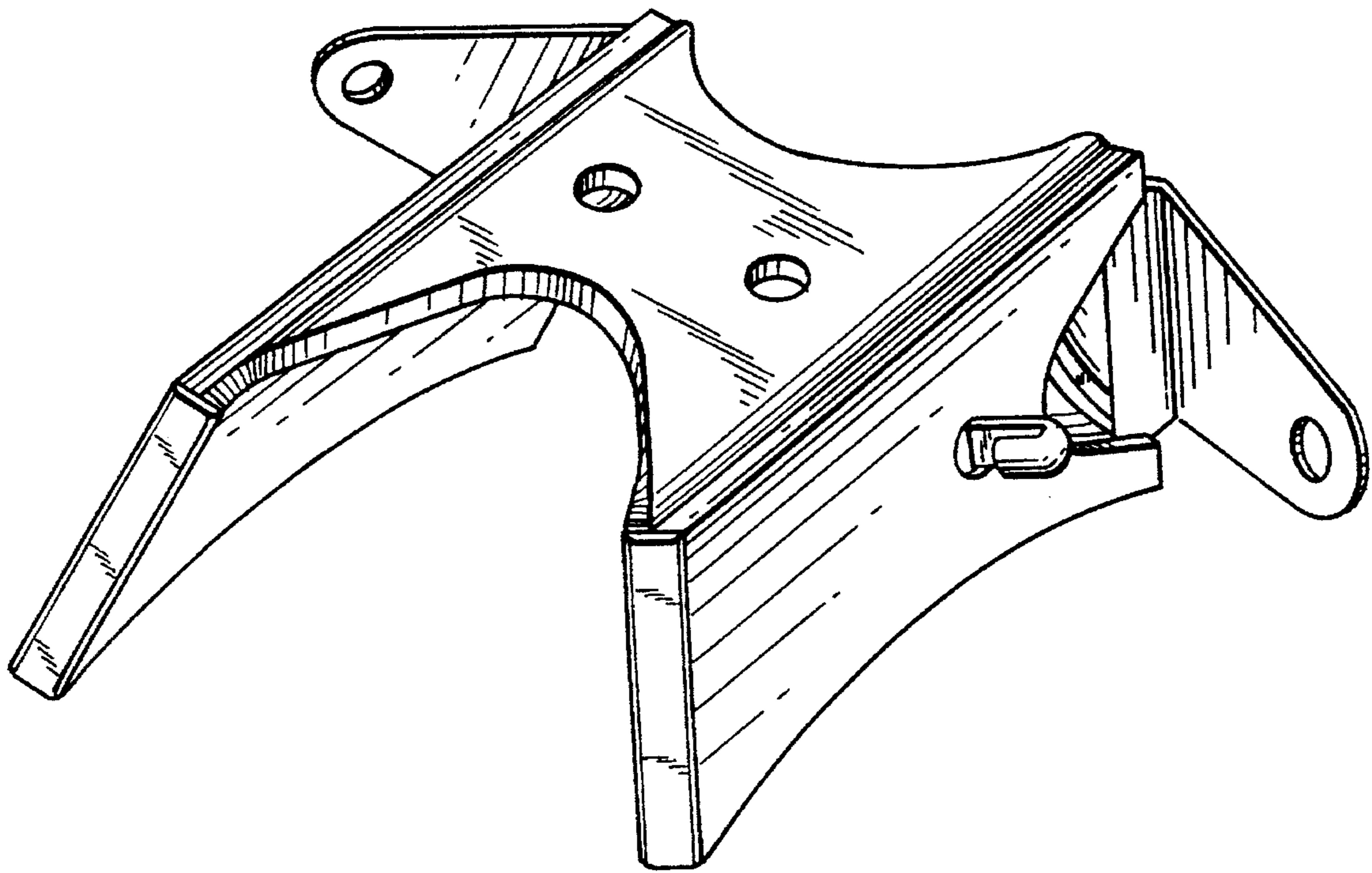


FIG. 8

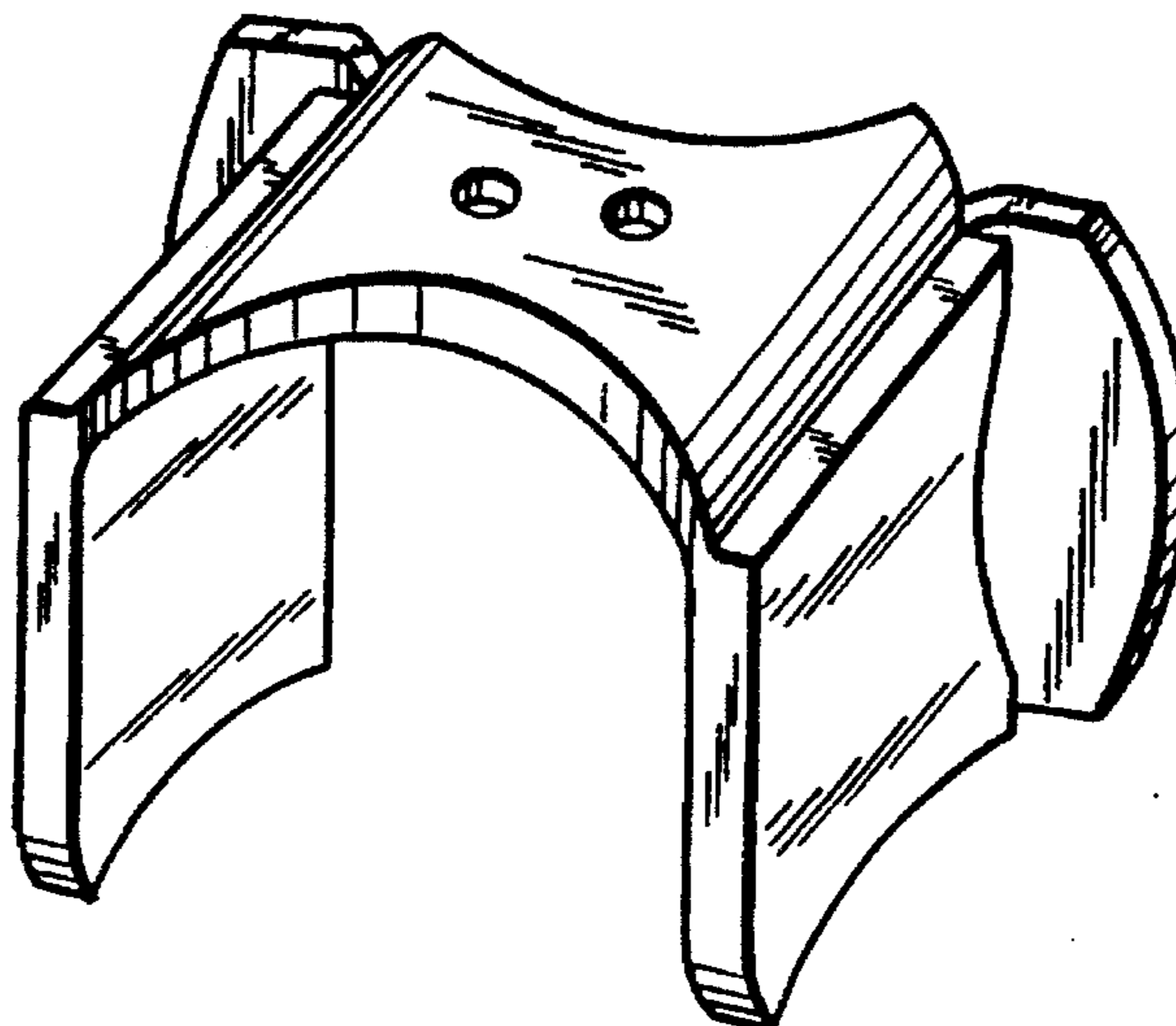


FIG. 9

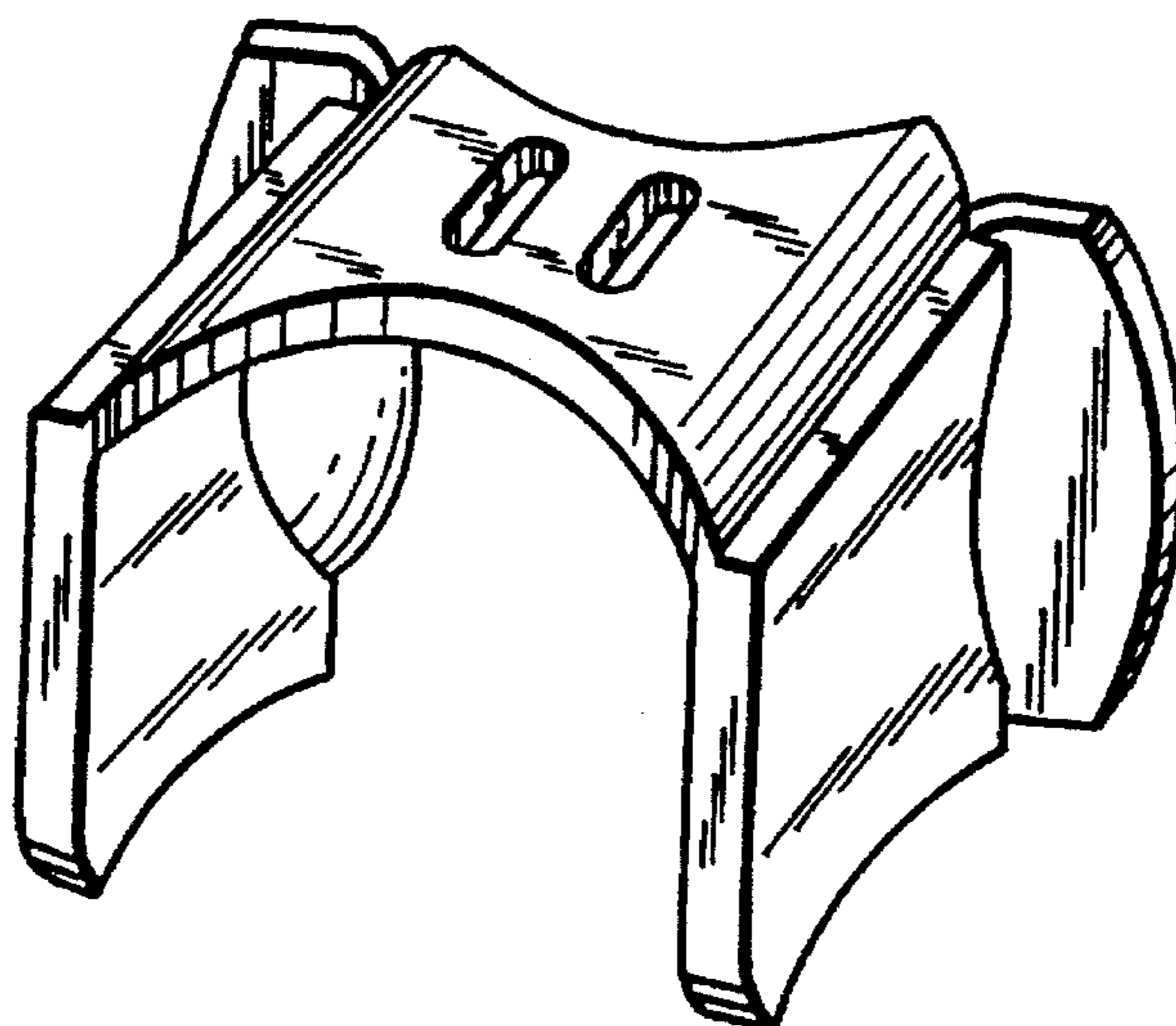


FIG. 10

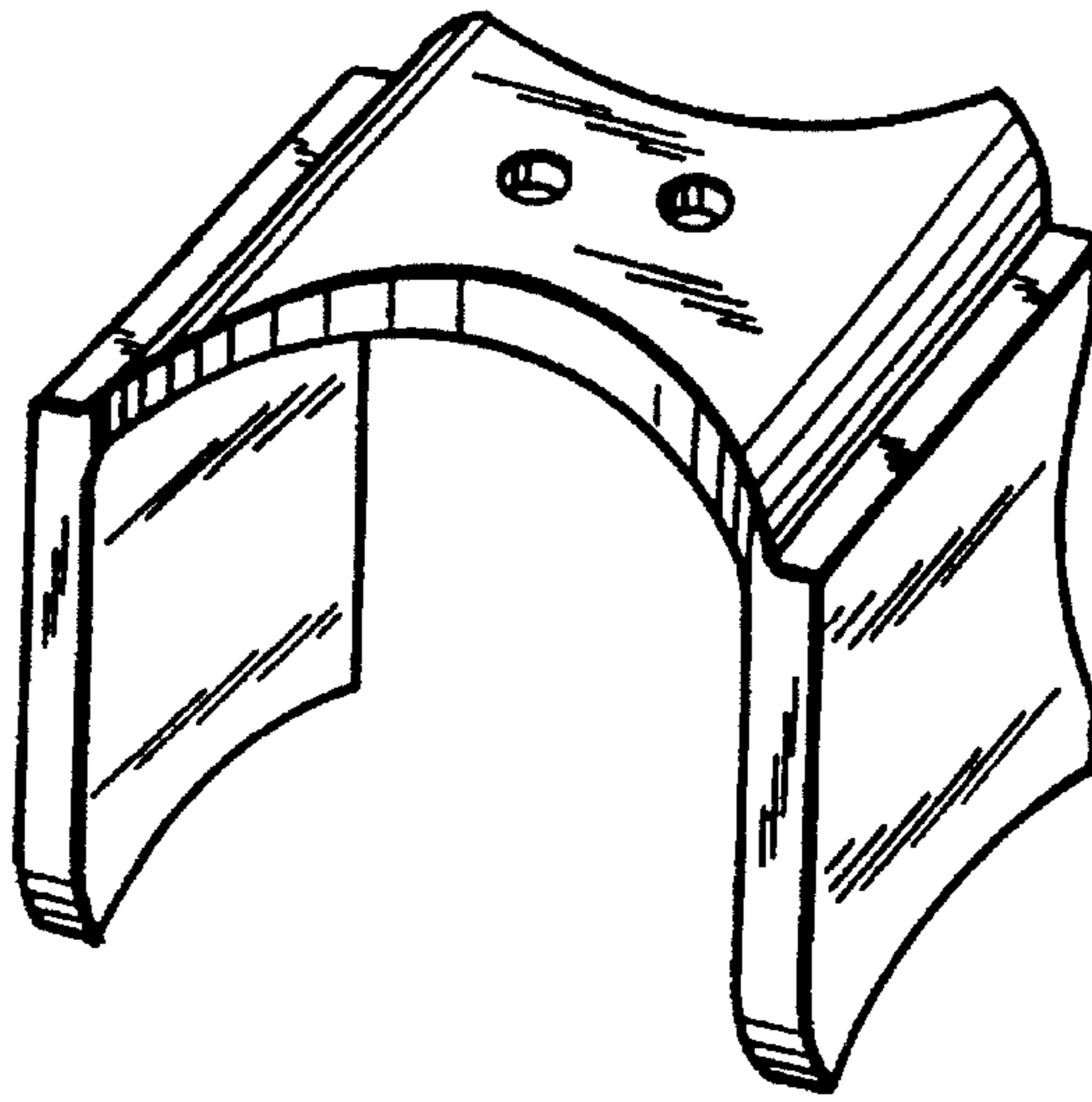


FIG. II

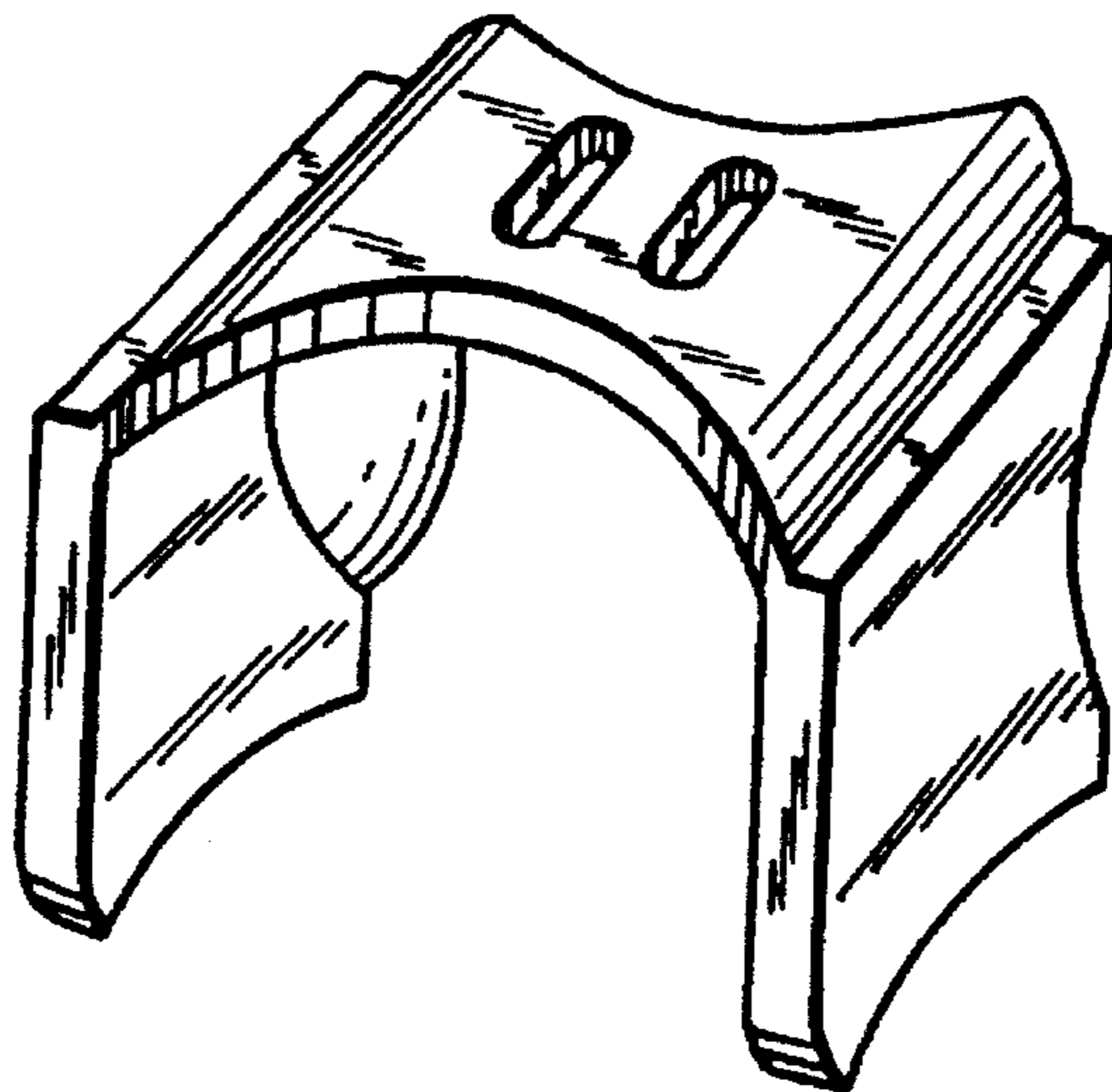


FIG. 12