



US00D366750S

**United States Patent** [19]  
**Daugherty**

[11] **Patent Number: Des. 366,750**

[45] **Date of Patent: \*\*Jan. 30, 1996**

[54] **ENCLOSURE PANEL**

[75] Inventor: **Jonathan M. Daugherty**, Wilkes-Barre, Pa.

[73] Assignee: **Metro Industries, Inc.**, Reno, Nev.

[\*\*] Term: **14 Years**

[21] Appl. No.: **27,130**

[22] Filed: **Aug. 11, 1994**

[52] U.S. Cl. .... **D34/27**

[58] **Field of Search** ..... D34/12, 27, 17,  
D34/21; 211/181, 126, 13, 16; 108/27,  
28; D6/574, 512, 553, 567

[56] **References Cited**

**U.S. PATENT DOCUMENTS**

D. 304,115 10/1989 Cohn ..... D34/12

*Primary Examiner*—Kay H. Chin

*Attorney, Agent, or Firm*—Fitzpatrick, Cella, Harper & Scinto

[57] **CLAIM**

The ornamental design for an enclosure panel, as shown and described.

**DESCRIPTION**

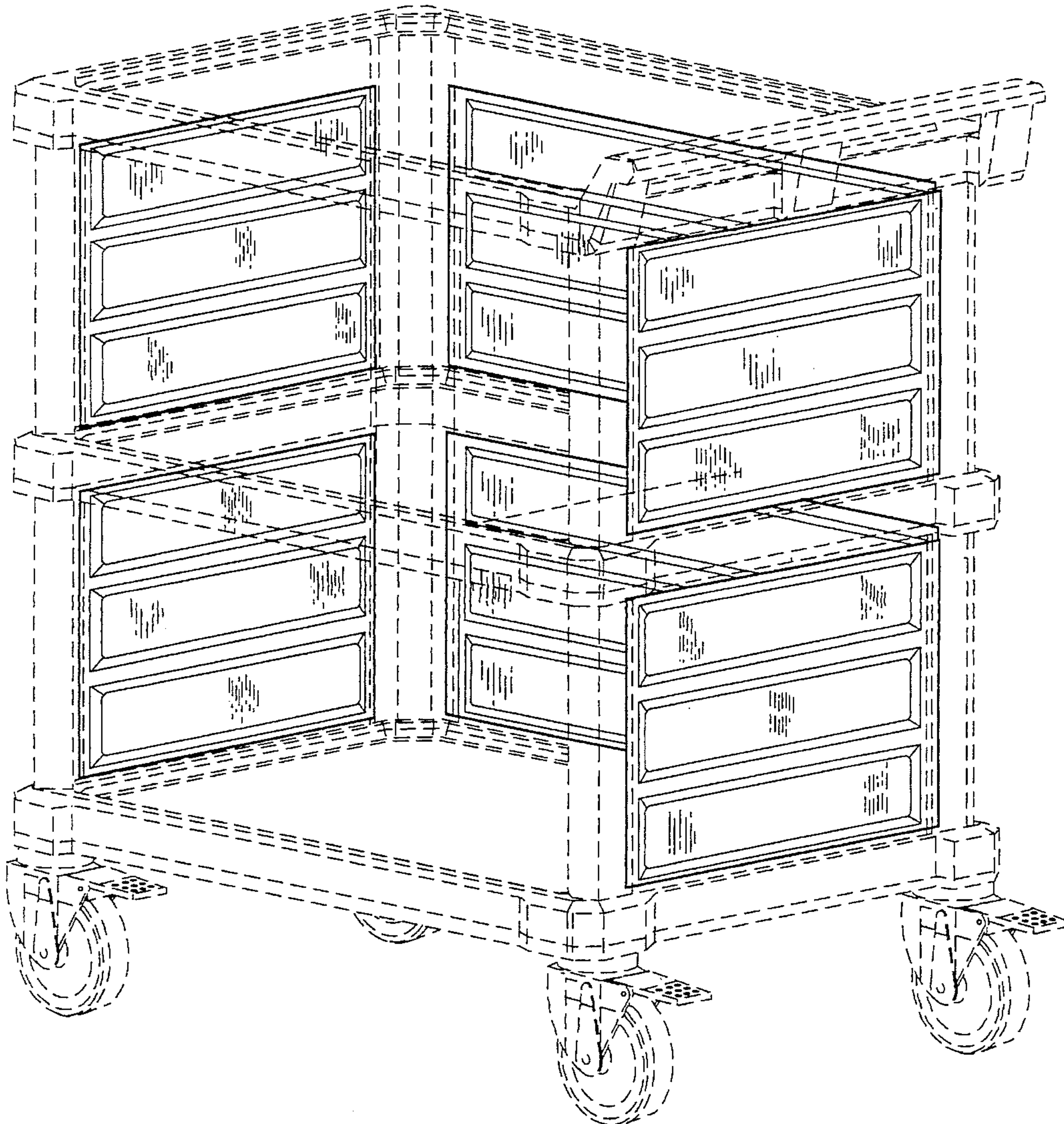
FIG. 1 is a front elevational view of the enclosure panel in accordance with the present invention, with the back elevational view being a reverse mirror image thereof;

FIG. 2 is a right side elevational view of the enclosure panel of FIG. 1, with the left side elevational view being a mirror image thereof;

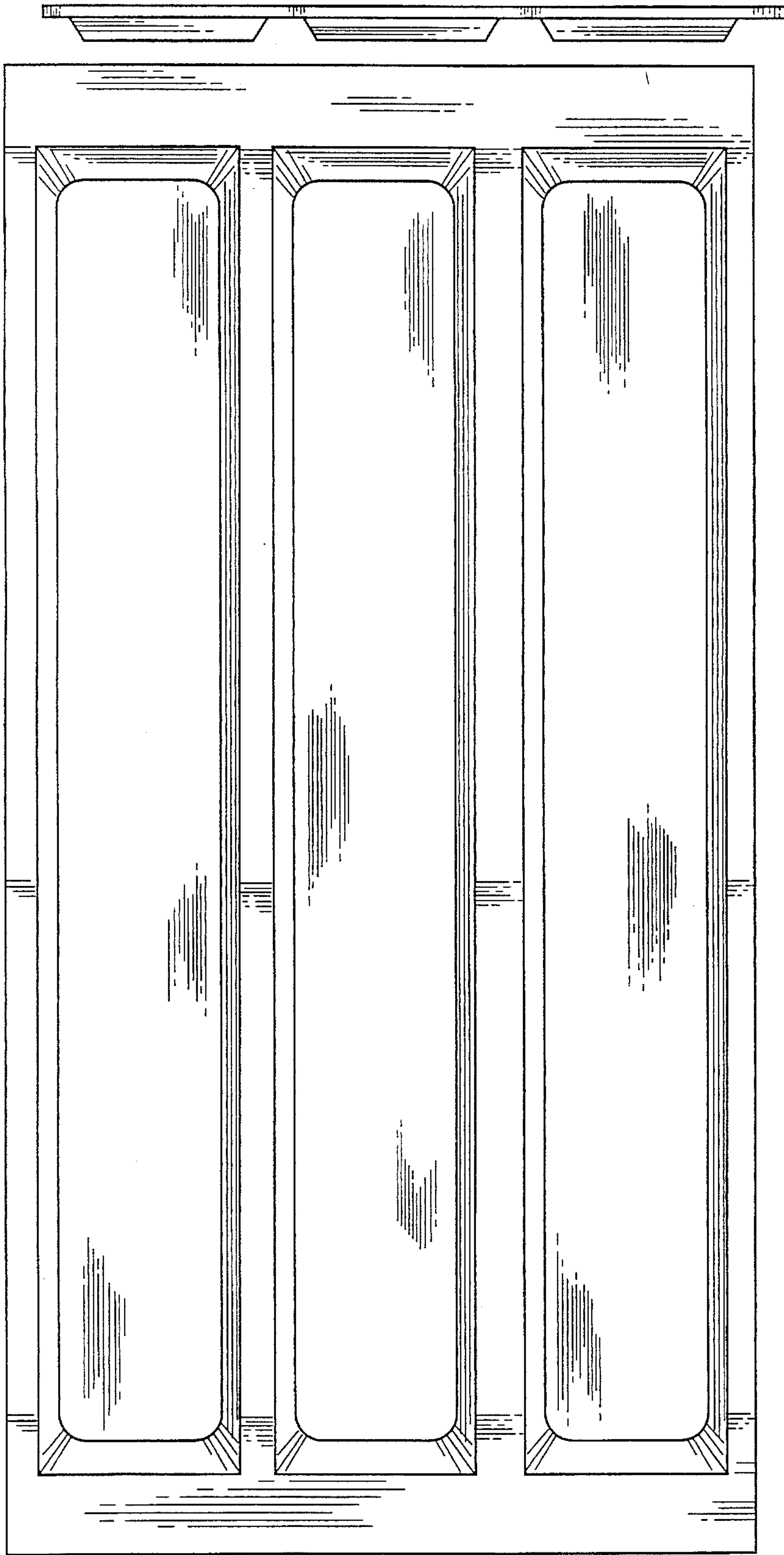
FIG. 3 is a top plan view of the enclosure panel of FIG. 1, with the bottom plan view being a mirror image thereof; and,

FIG. 4 is a perspective view of the enclosure panel in use in a bussing cart.

**1 Claim, 2 Drawing Sheets**



**FIG. 1**

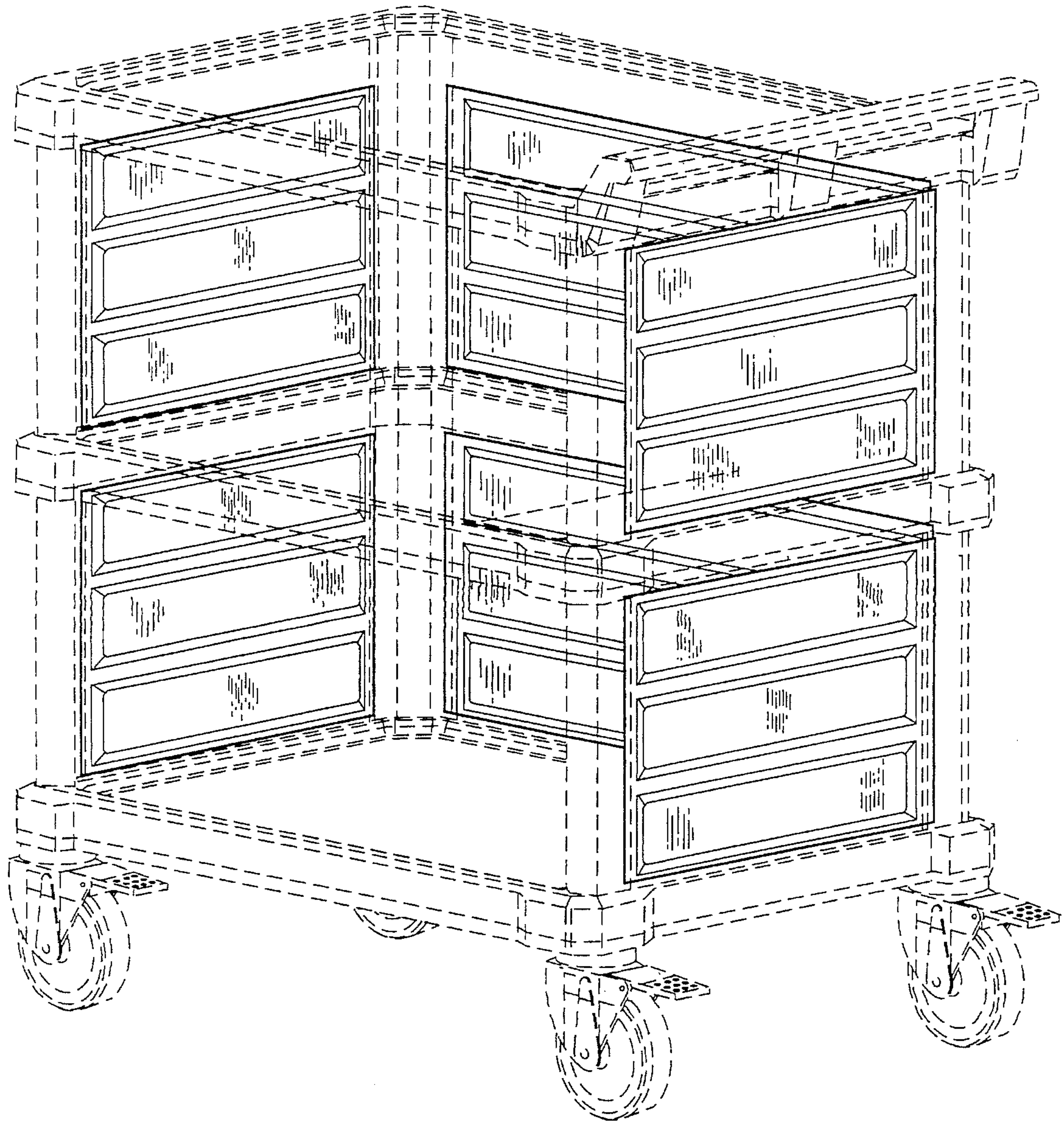


**FIG. 2**

**FIG. 3**







**FIG. 4**