



US00D366748S

United States Patent [19]
Harrington

[11] **Patent Number: Des. 366,748**

[45] **Date of Patent: **Jan. 30, 1996**

[54] **GARDEN CART**

[76] Inventor: **Stephen H. Harrington**, 7038 Shaeff
La., Fort Washington, Pa. 19034

[**] Term: **14 Years**

[21] Appl. No.: **35,535**

[22] Filed: **Mar. 1, 1995**

[52] U.S. Cl. **D34/24; D34/26**

[58] **Field of Search** D34/12-27; 280/47.26,
280/79.11, 79.2, 47.29, 47.24, 47.19, 655

[56] **References Cited**

U.S. PATENT DOCUMENTS

D. 328,378	7/1992	Hargrove	D34/24
D. 330,960	11/1992	Roberson	D34/24
4,629,203	12/1986	Ballard	280/47.26

Primary Examiner—Kay H. Chin

Attorney, Agent, or Firm—Howson and Howson

[57] **CLAIM**

The ornamental design for a garden cart, as shown and described.

DESCRIPTION

FIG. 1 is a perspective view of a garden cart showing my new design;

FIG. 2 is a left elevational view thereof;

FIG. 3 is a top plan view thereof;

FIG. 4 is a bottom plan view thereof;

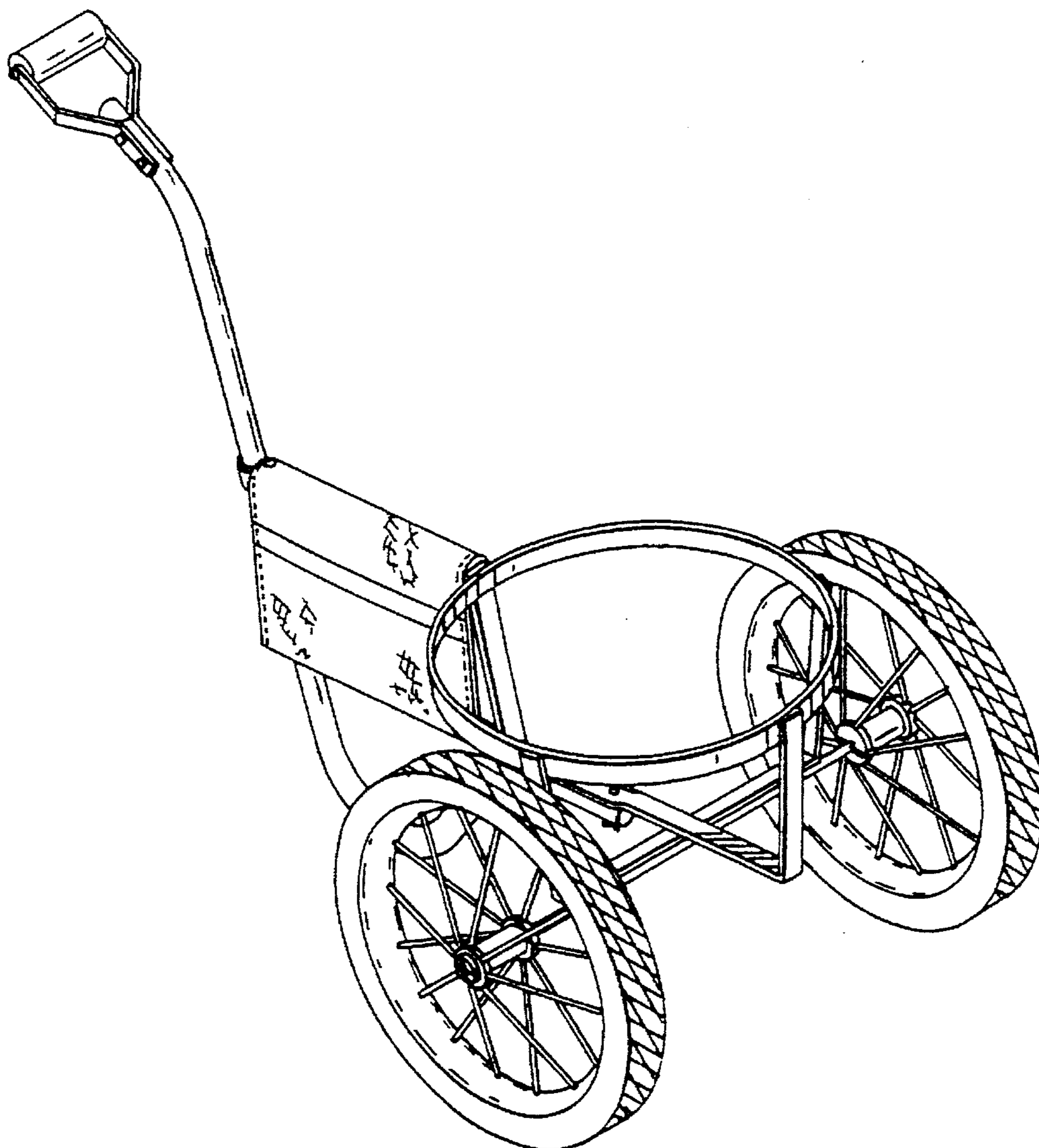
FIG. 5 is a front elevation thereof;

FIG. 6 is a rear elevation thereof; and,

FIG. 7 is a perspective view thereof, in which a basket is shown in broken lines to illustrate an intended application of the design.

The right elevational view is a mirror image of FIG. 2.

1 Claim, 4 Drawing Sheets



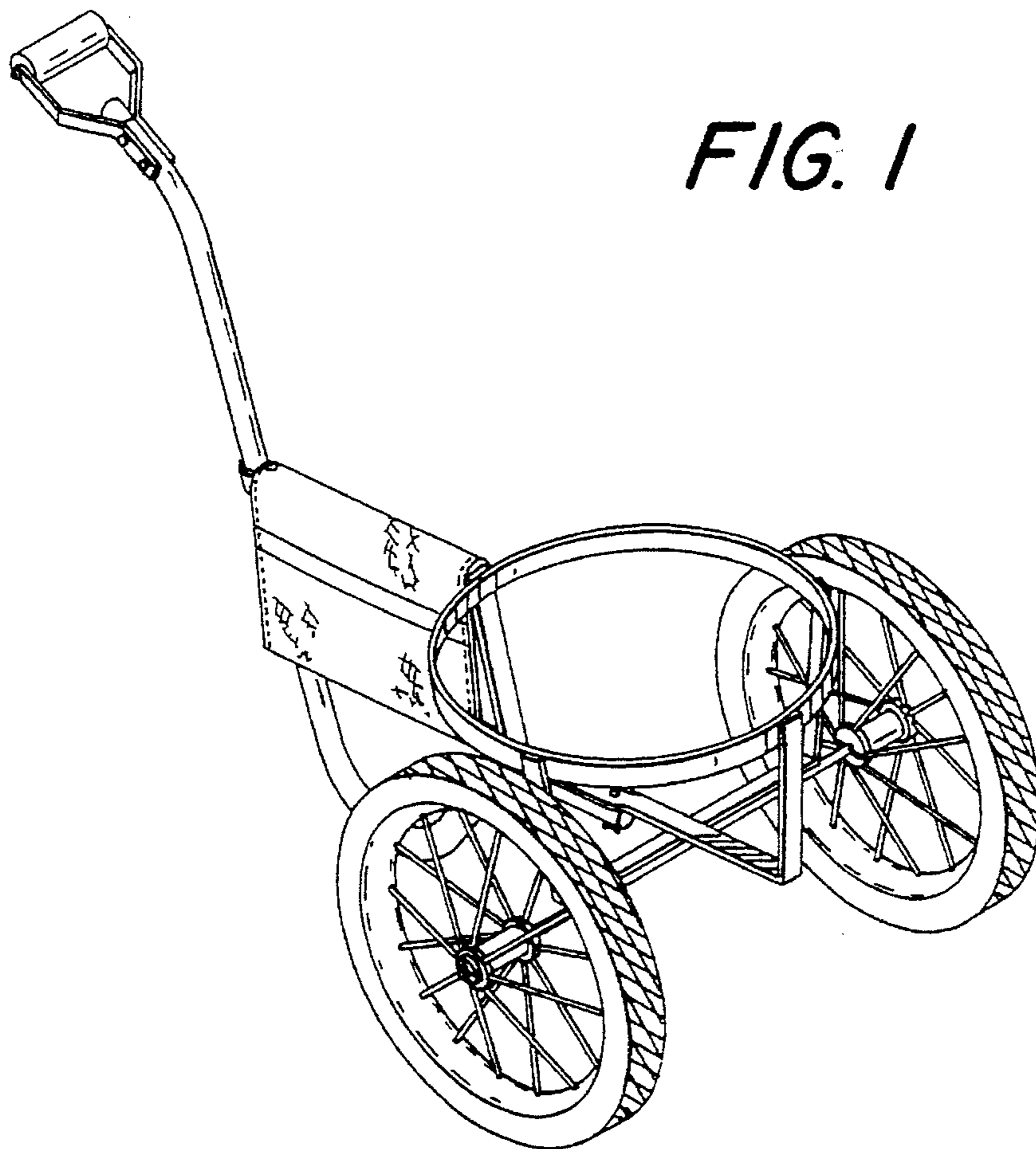


FIG. 1

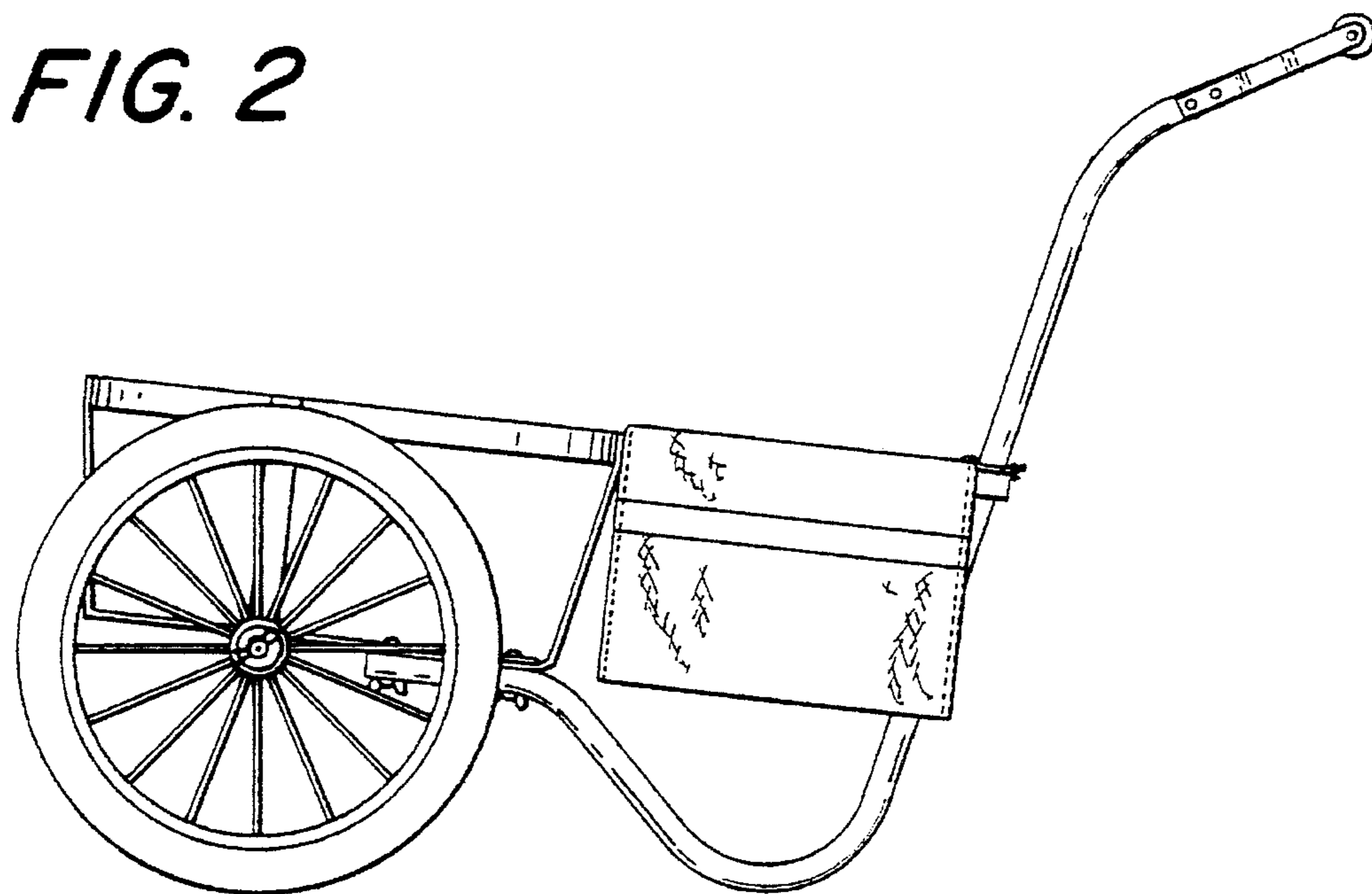


FIG. 2

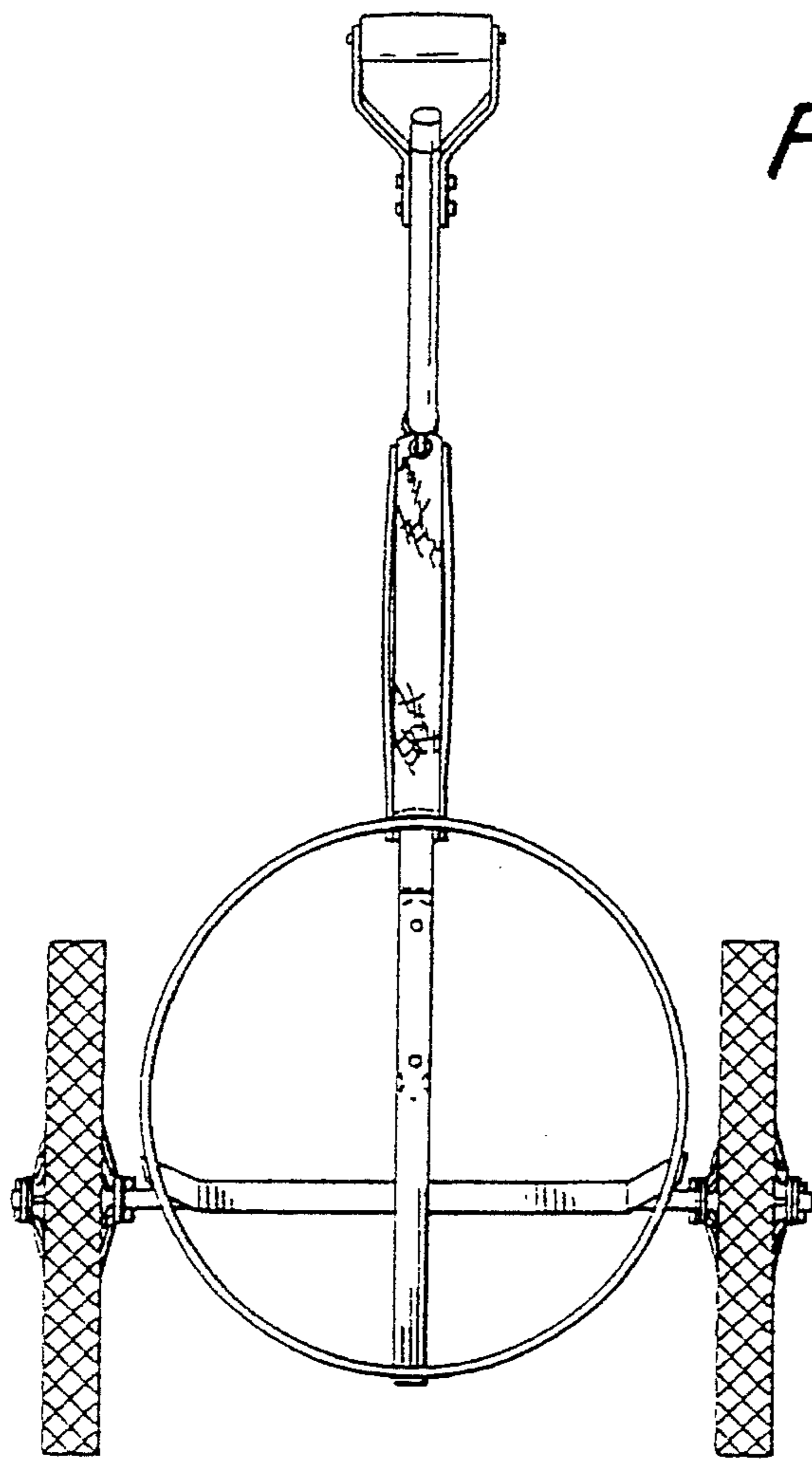


FIG. 3

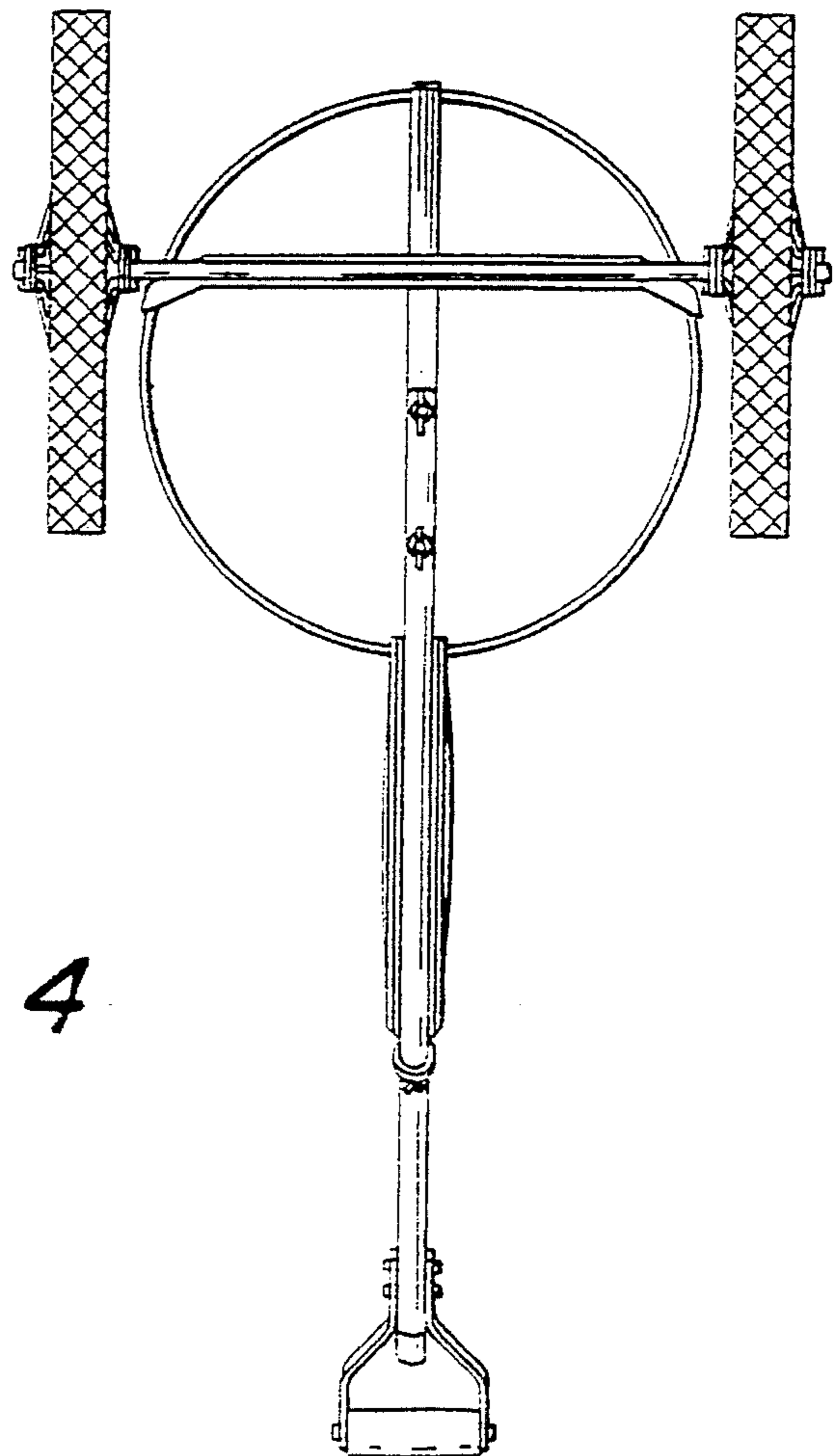


FIG. 4

FIG. 5

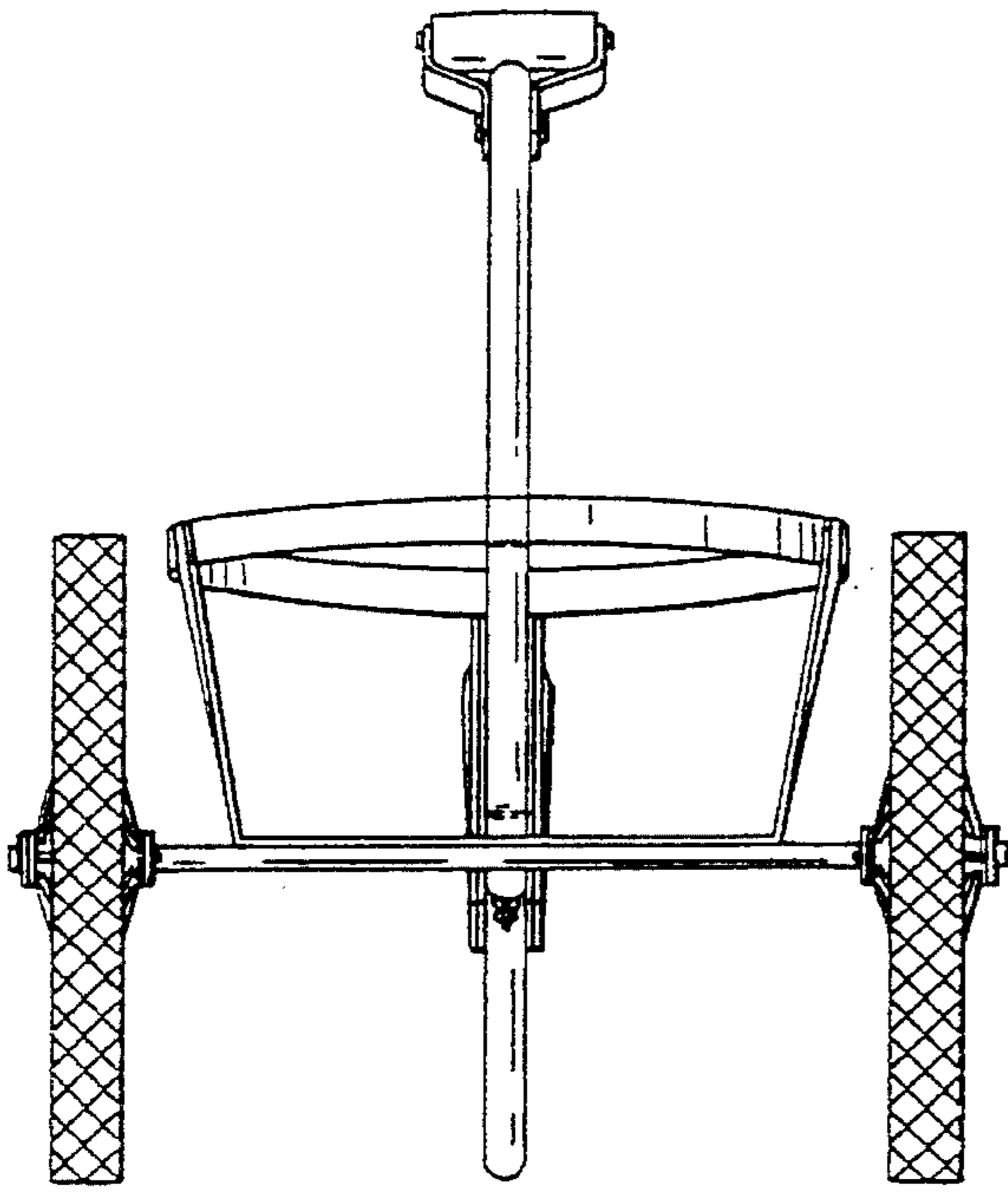


FIG. 6

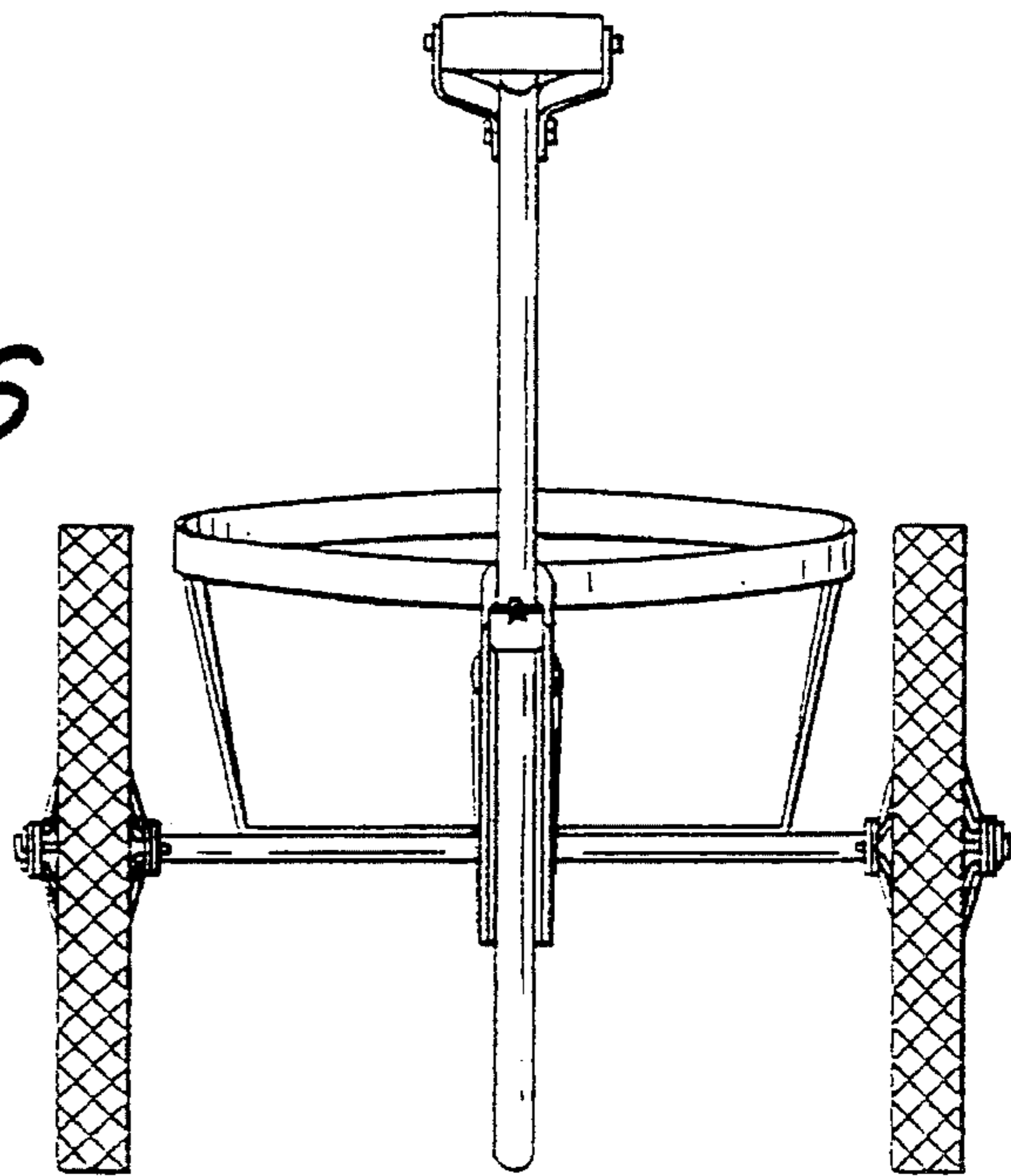


FIG. 7

