



US00D366747S

# United States Patent [19]

[11] Patent Number: **Des. 366,747**

Litin et al.

[45] Date of Patent: **\*\*Jan. 30, 1996**

[54] **DRUM CRADLE**

4,408,774 10/1983 Raskob ..... 280/47.26

[75] Inventors: **Michael H. Litin**, Jamesville, Wis.;  
**James P. Onders**, Independence; **John O. Milliken**, Gates Mills, both of Ohio

*Primary Examiner*—Kay H. Chin  
*Attorney, Agent, or Firm*—Pearne, Gordon, McCoy & Granger

[73] Assignee: **ENPAC Corporation**, Chardon, Ohio

[57] **CLAIM**

[\*\*] Term: **14 Years**

The ornamental design for a drum cradle, as shown and described.

[21] Appl. No.: **31,444**

**DESCRIPTION**

[22] Filed: **Nov. 28, 1994**

[52] U.S. Cl. .... **D34/12; D34/12**

[58] Field of Search ..... **D34/12, 1, 27;**  
**280/79.11, 47.26, 33.998**

FIG. 1 is a top perspective view of a drum cradle showing our new design, The broken lines are for illustrative purposes only;

FIG. 2 is a side elevational view thereof, the opposite side view being a mirror image of that shown;

FIG. 3 is a top plan view thereof;

FIG. 4 is a bottom plan view thereof;

FIG. 5 is a front elevational view thereof; and

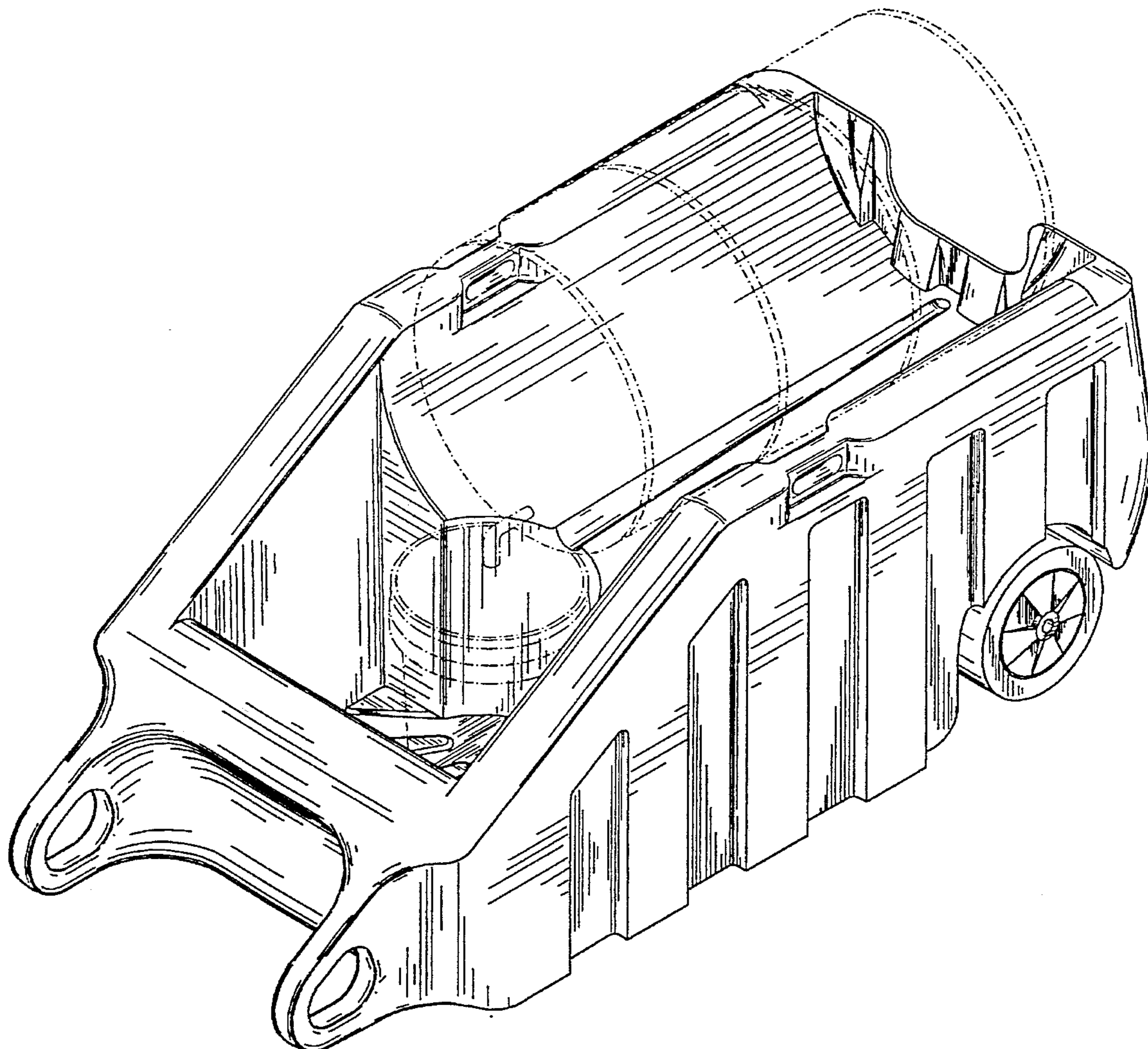
FIG. 6 is a rear elevational view thereof.

[56] **References Cited**

**U.S. PATENT DOCUMENTS**

D. 356,198	3/1995	Litin .....	D34/12
2,699,953	1/1955	Chaddick .....	280/79.11
3,873,119	3/1975	Koch .....	280/79.11

**1 Claim, 5 Drawing Sheets**



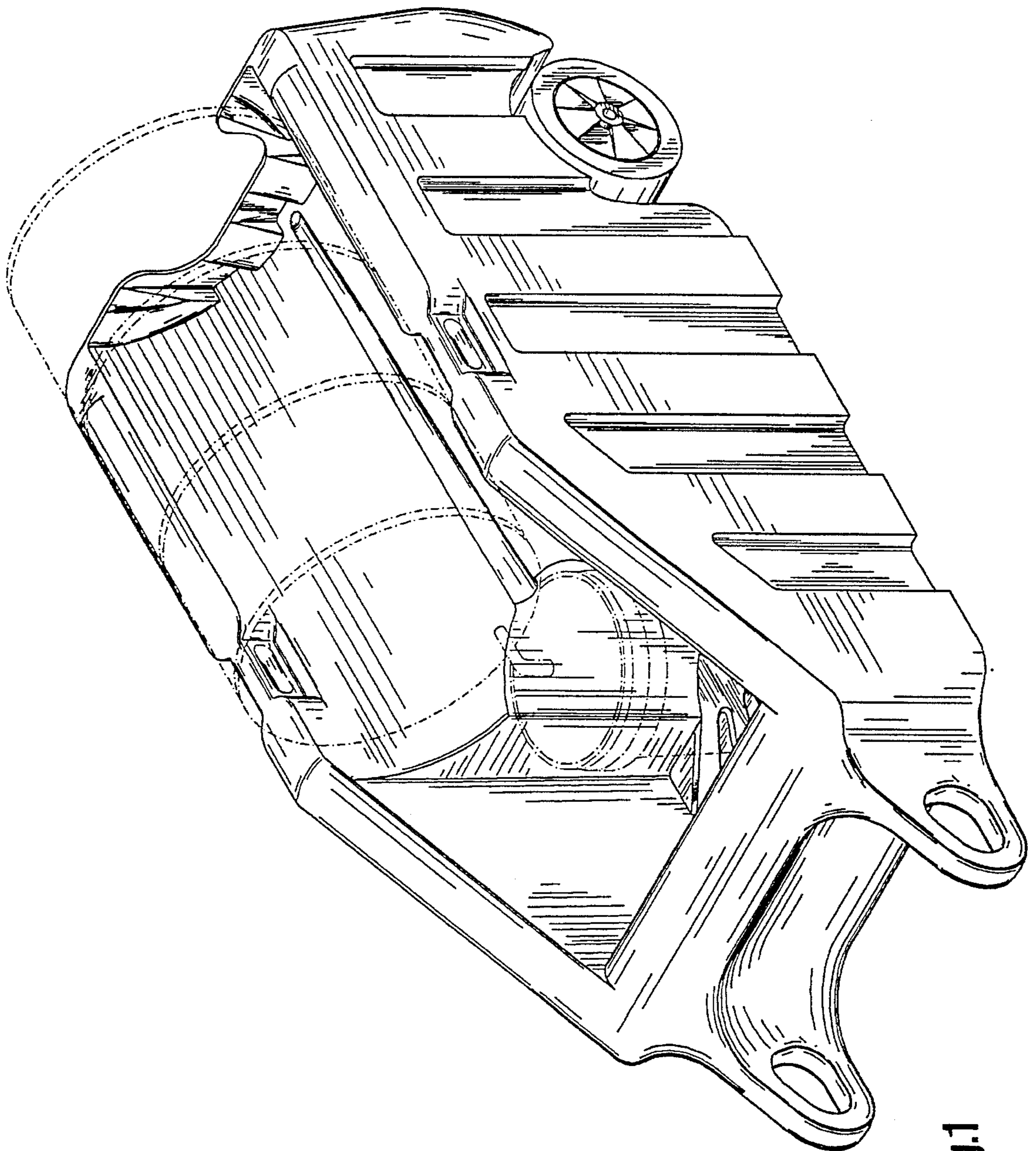


Fig.1

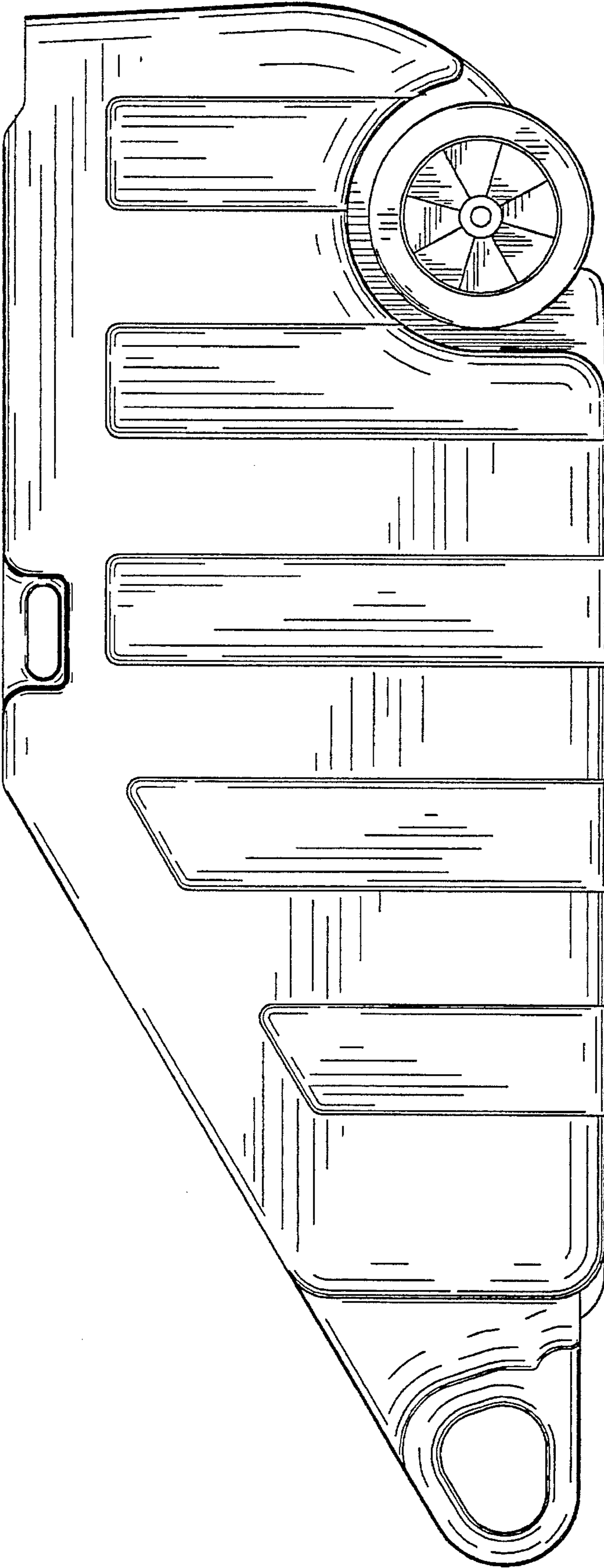


Fig.2

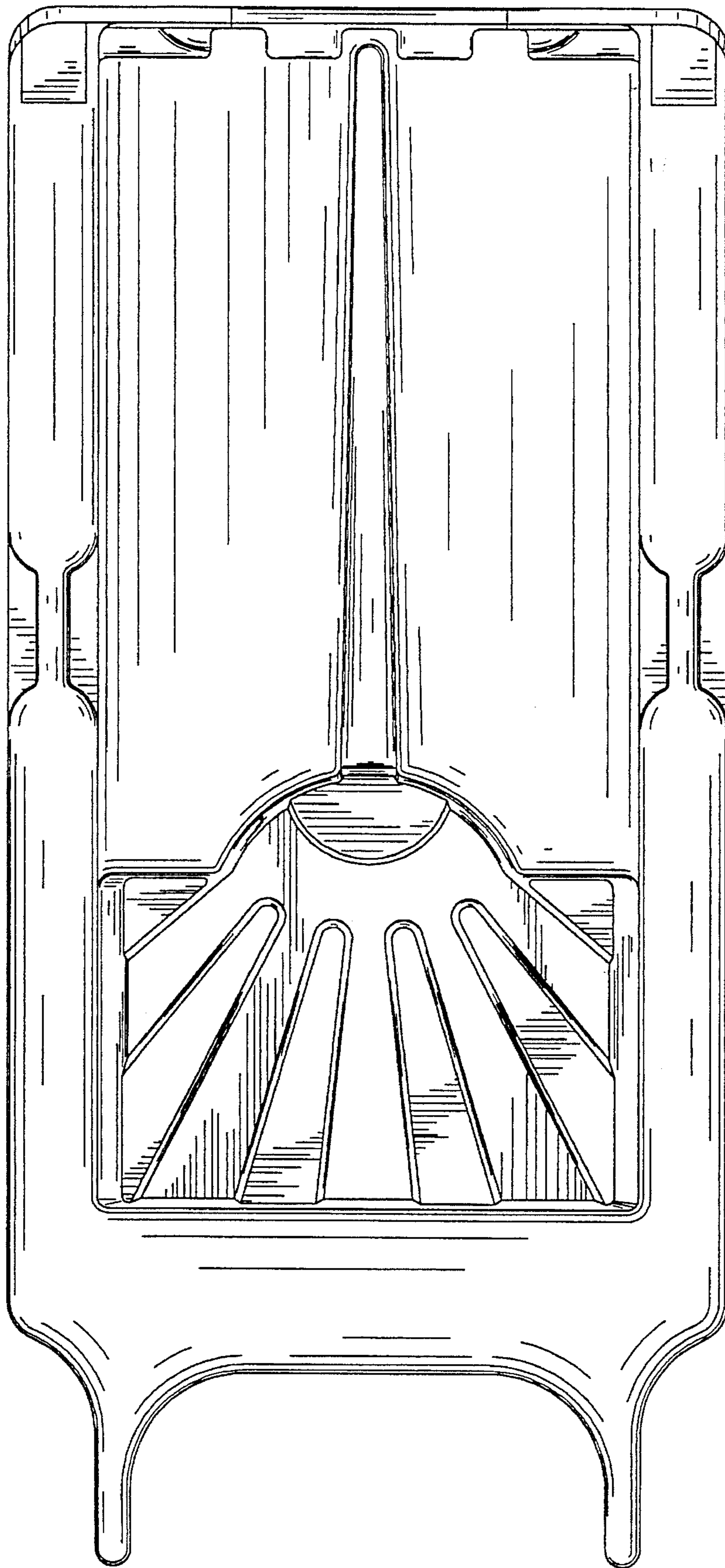


Fig.3

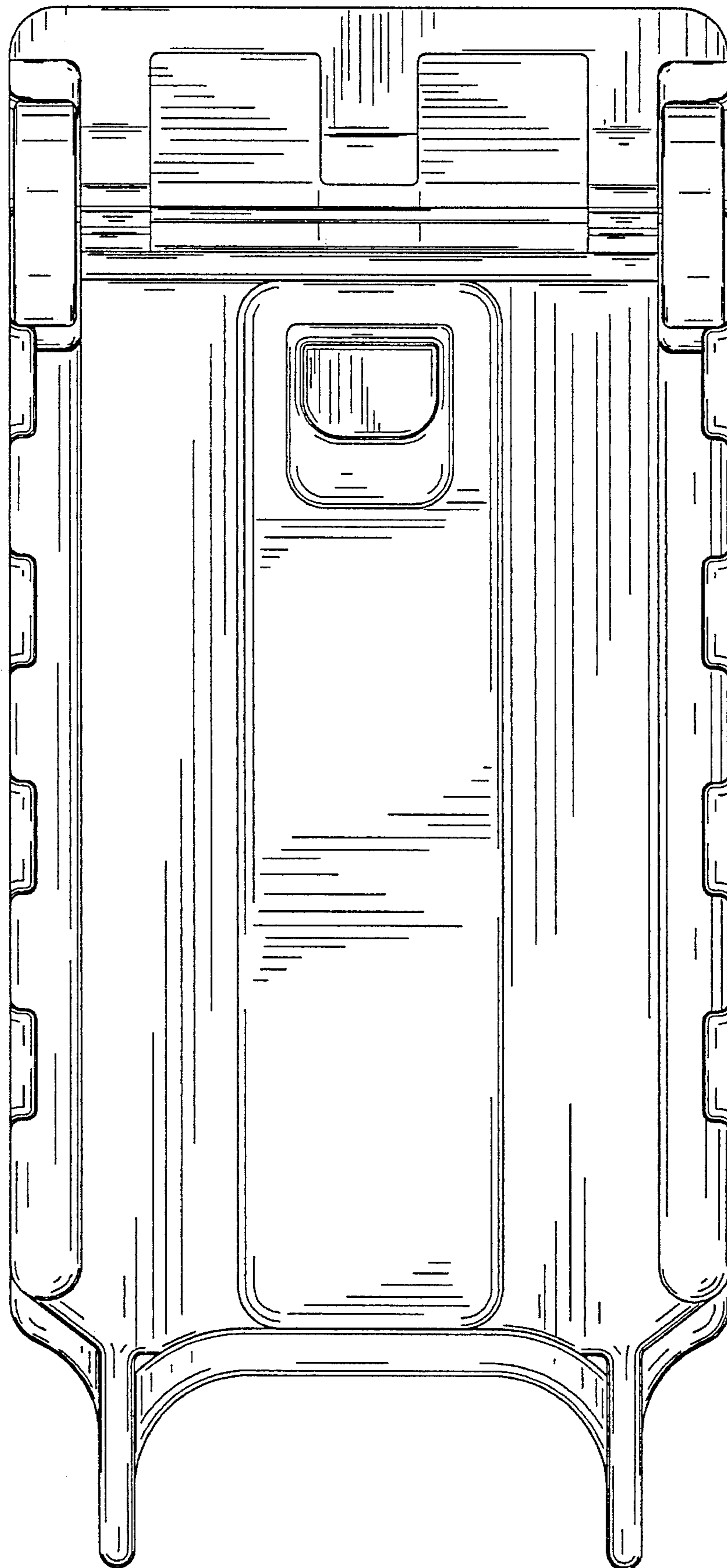


Fig.4

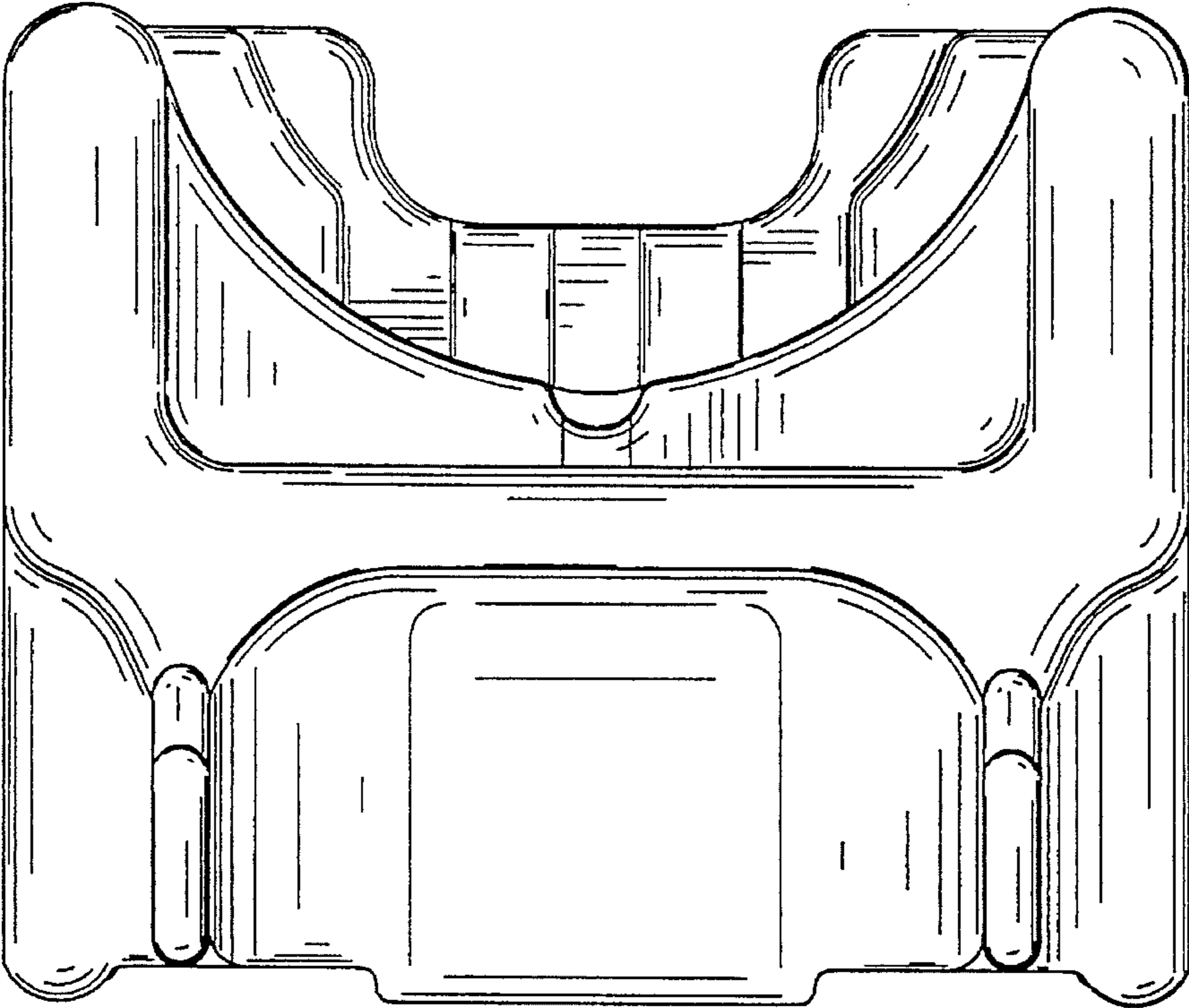


Fig.5

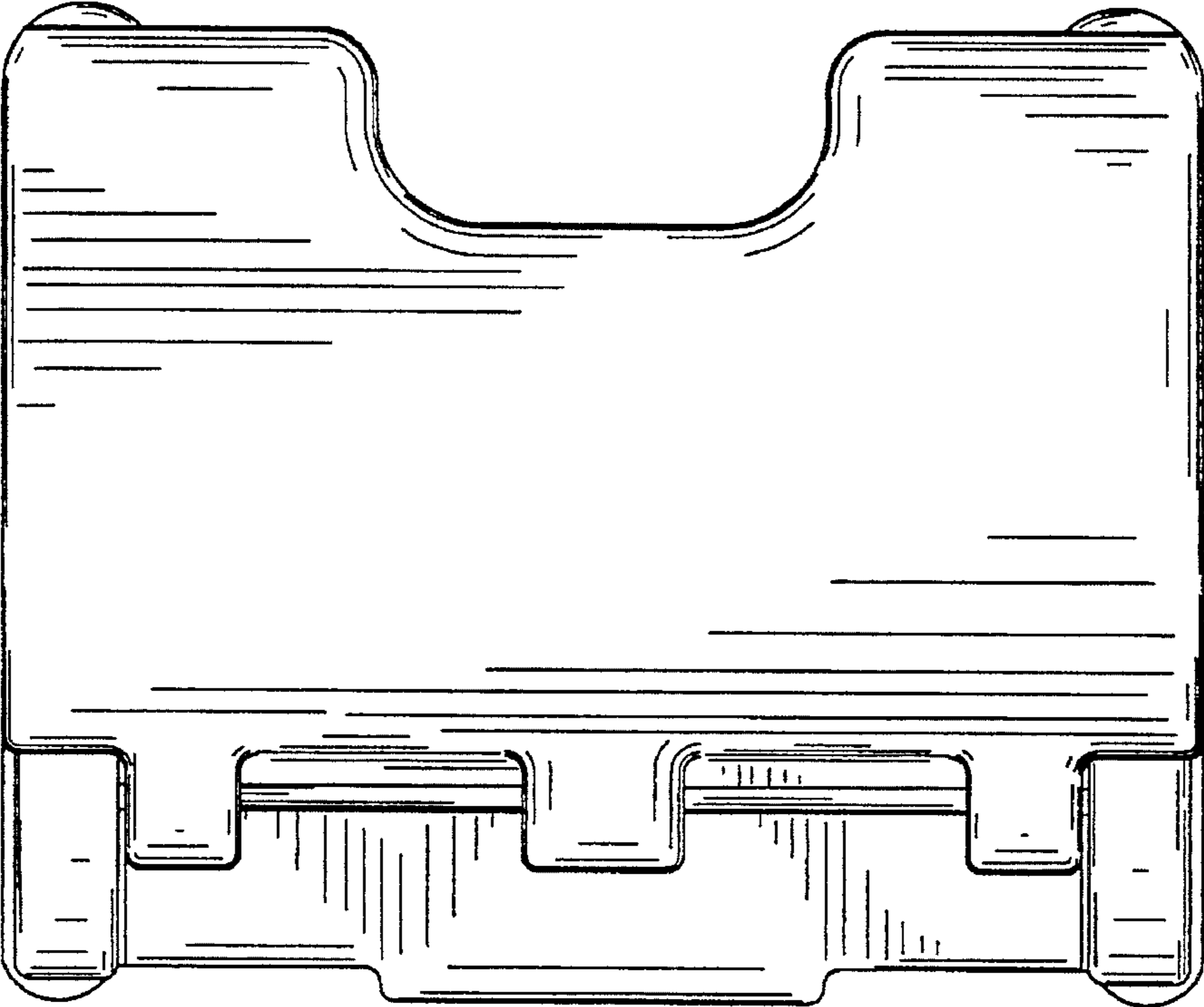


Fig.6