



US00D366746S

# United States Patent [19] Jones

[11] Patent Number: **Des. 366,746**  
[45] Date of Patent: **\*\*Jan. 30, 1996**

[54] **MOBILE ANALYSIS CART**

D. 234,078 1/1975 Emanuele ..... D34/20  
D. 343,534 1/1994 Holsapple ..... D6/436

[75] Inventor: **William P. Jones**, Gurnee, Ill.

*Primary Examiner*—Kay H. Chin

[73] Assignee: **Sysmex Corporation**, Long Grove, Ill.

*Attorney, Agent, or Firm*—Jon Carl Gealow; Keck, Mahin & Cate

[\*\*] Term: **14 Years**

### [57] CLAIM

[21] Appl. No.: **34,371**

The ornamental design for a mobile analysis cart, as shown.

[22] Filed: **Feb. 2, 1995**

### DESCRIPTION

[52] U.S. Cl. .... **D34/20; D34/21; D6/474**

[58] **Field of Search** ..... D34/12-27; D6/436,  
D6/462, 445, 474, 449, 447, 446, 430;  
280/47.34, 47.35

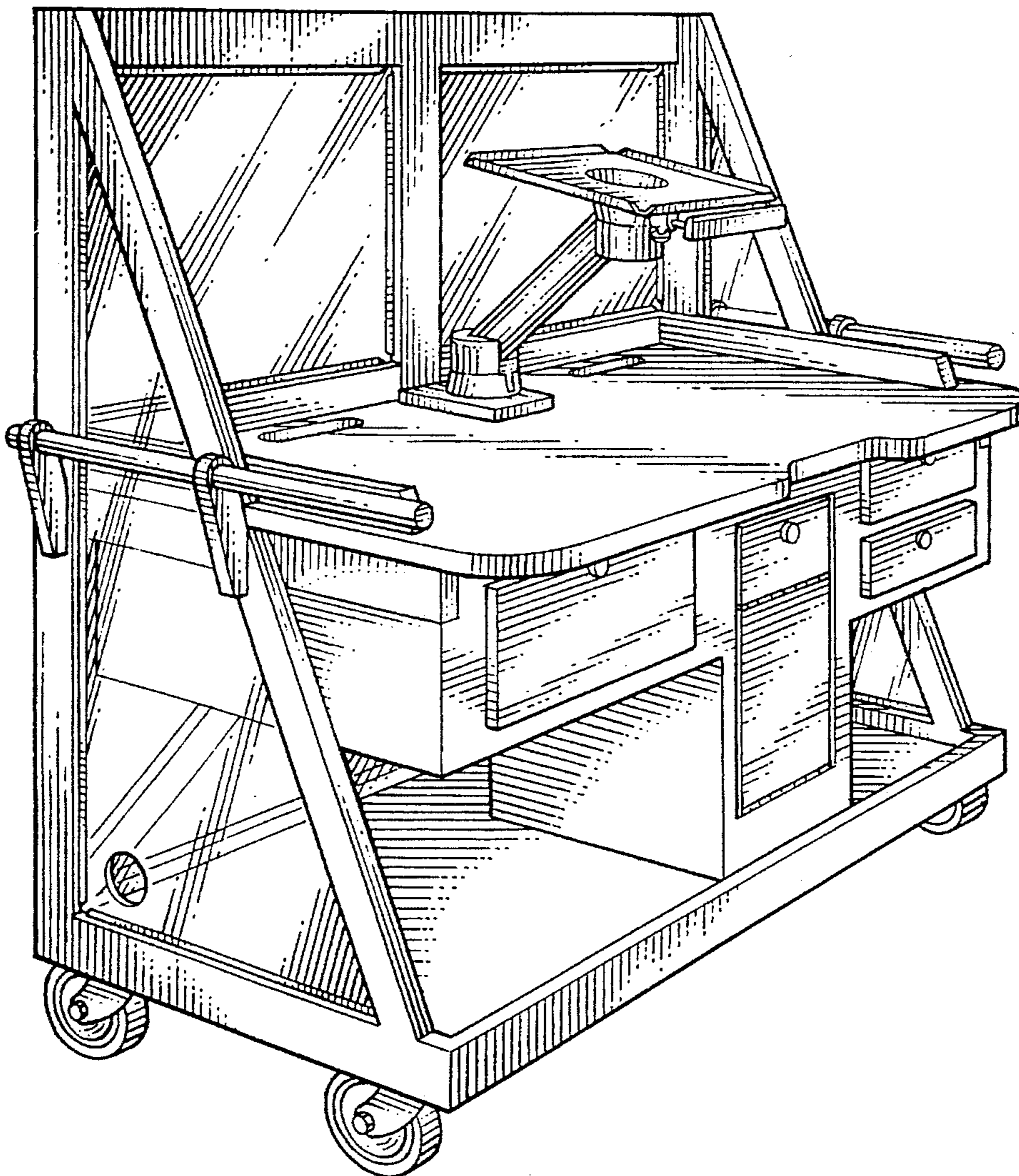
FIG. 1 is a perspective view of the mobile analysis cart;  
FIG. 2 is a right side elevational view thereof;  
FIG. 3 is a top plan view thereof;  
FIG. 4 is a front elevational view thereof;  
FIG. 5 is a rear elevational view thereof; and,  
FIG. 6 is a bottom view thereof.

### [56] References Cited

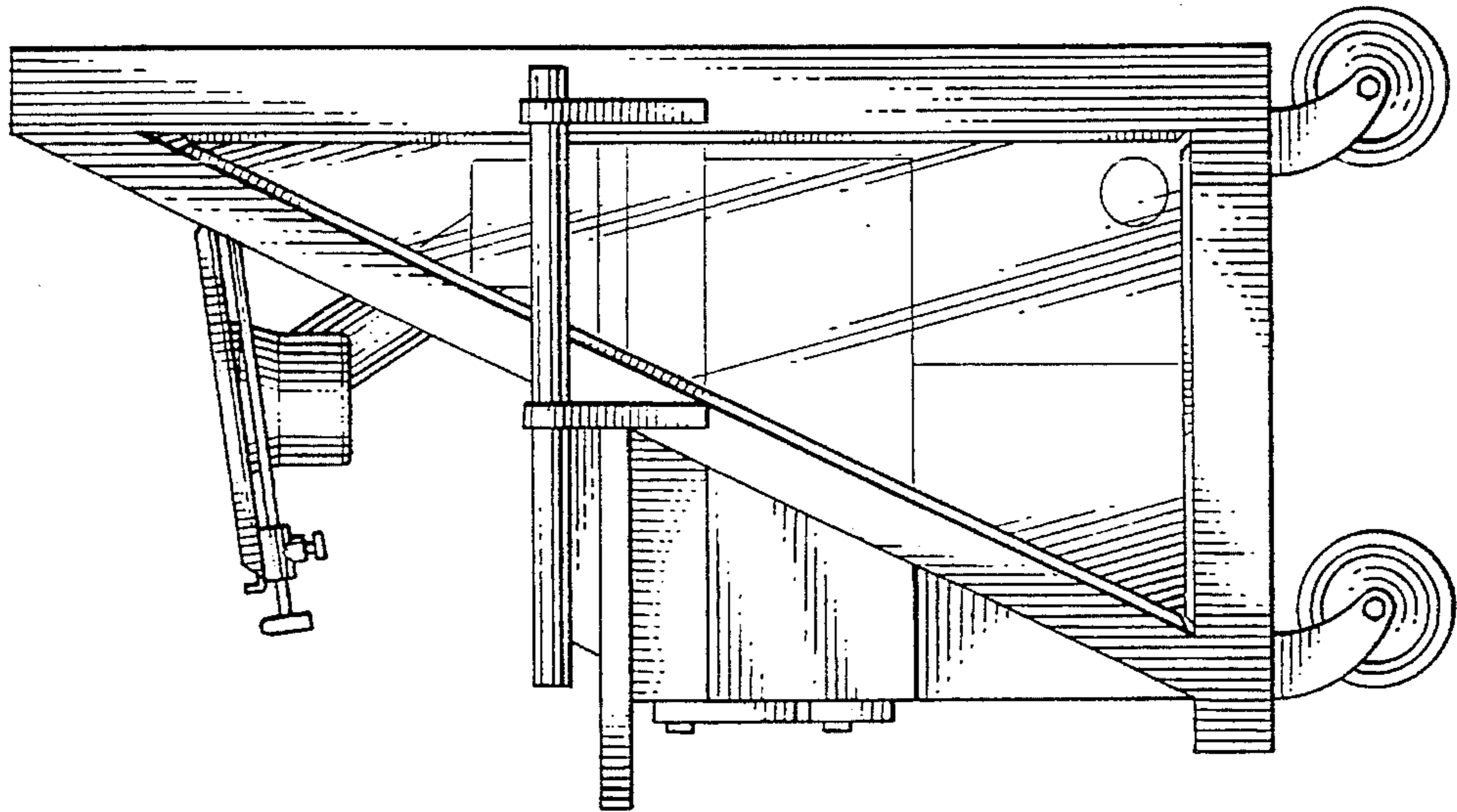
#### U.S. PATENT DOCUMENTS

D. 172,103 5/1954 Malkin ..... D6/474  
D. 233,253 10/1974 Emanuele ..... D34/14

**1 Claim, 3 Drawing Sheets**



*Fig. 2*



*Fig. 1*

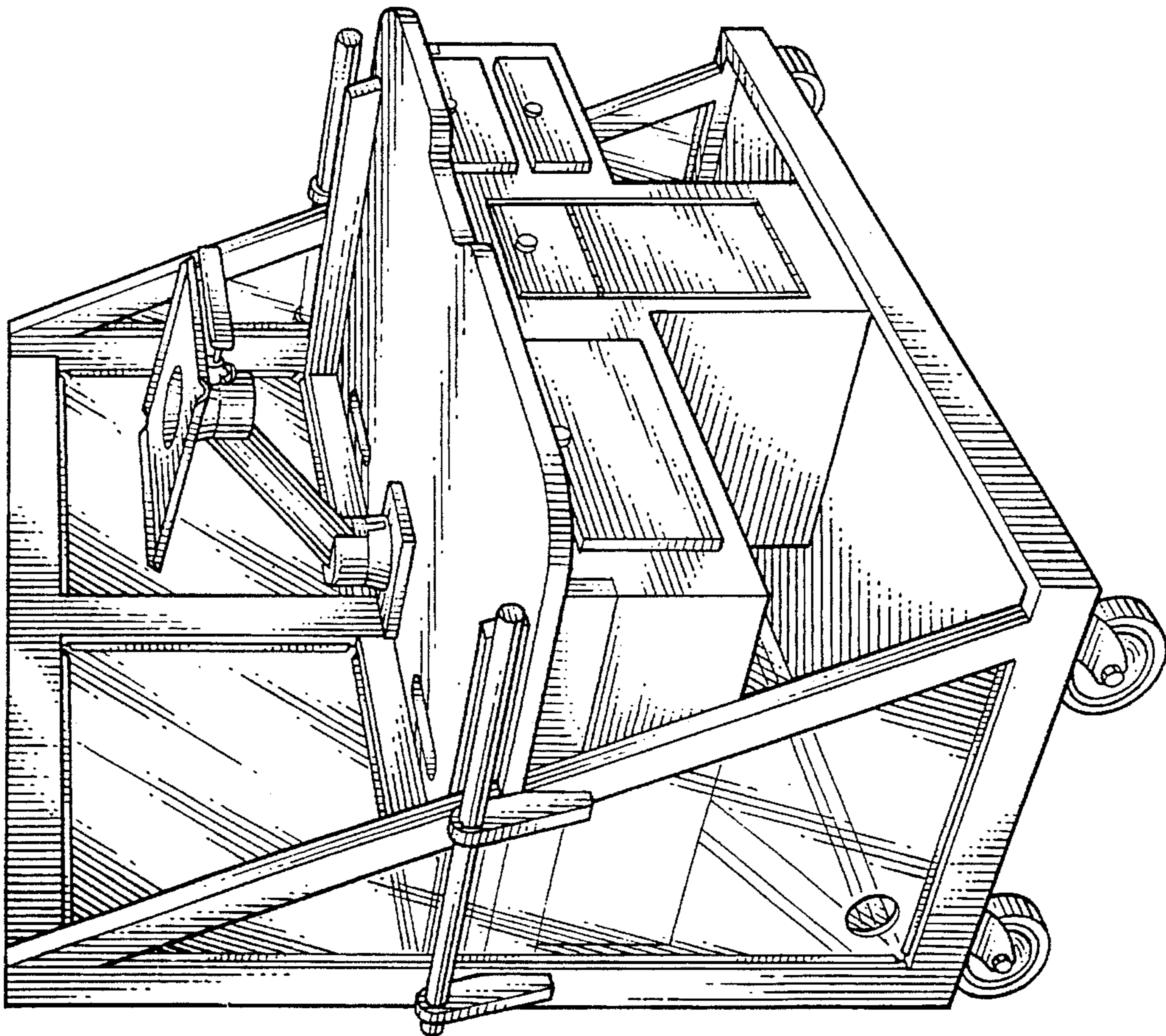


Fig. 3

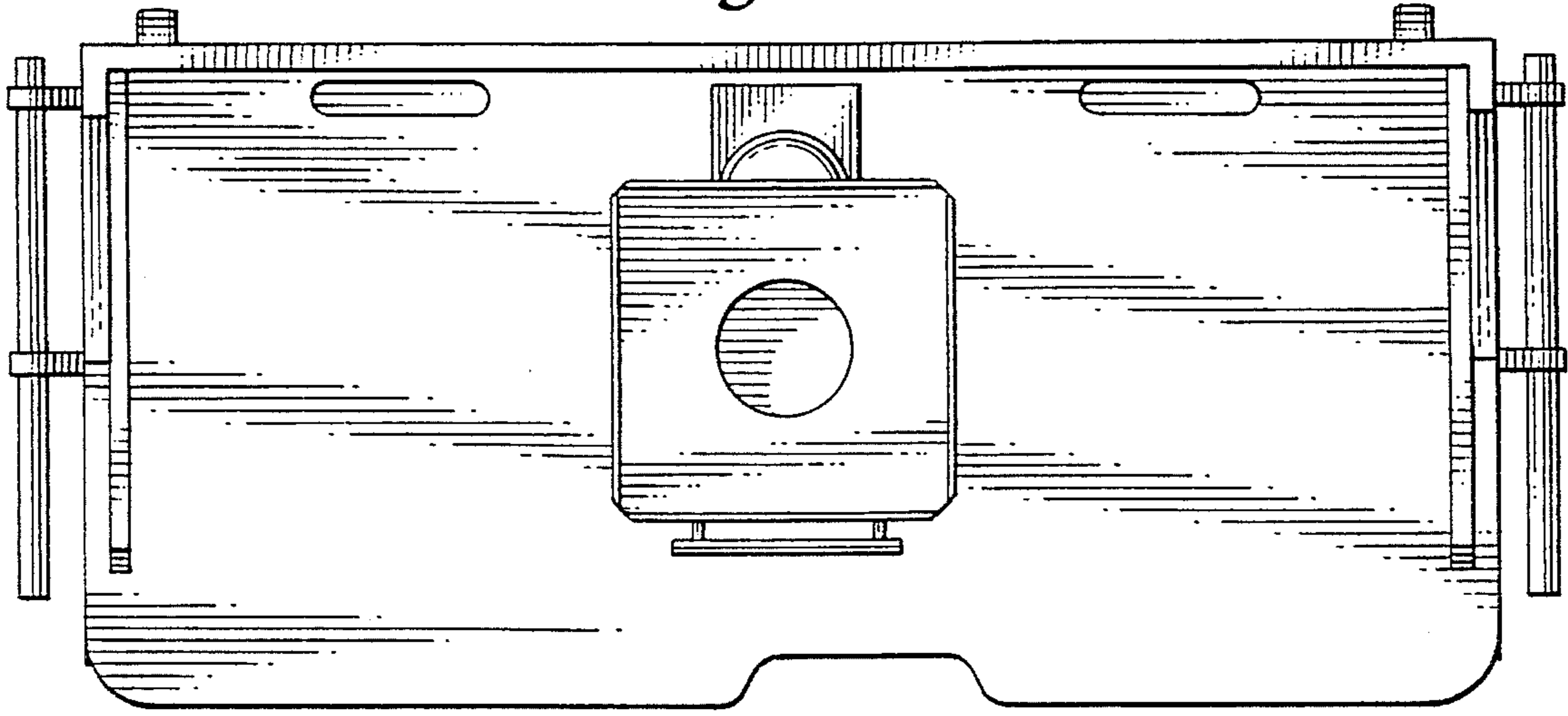
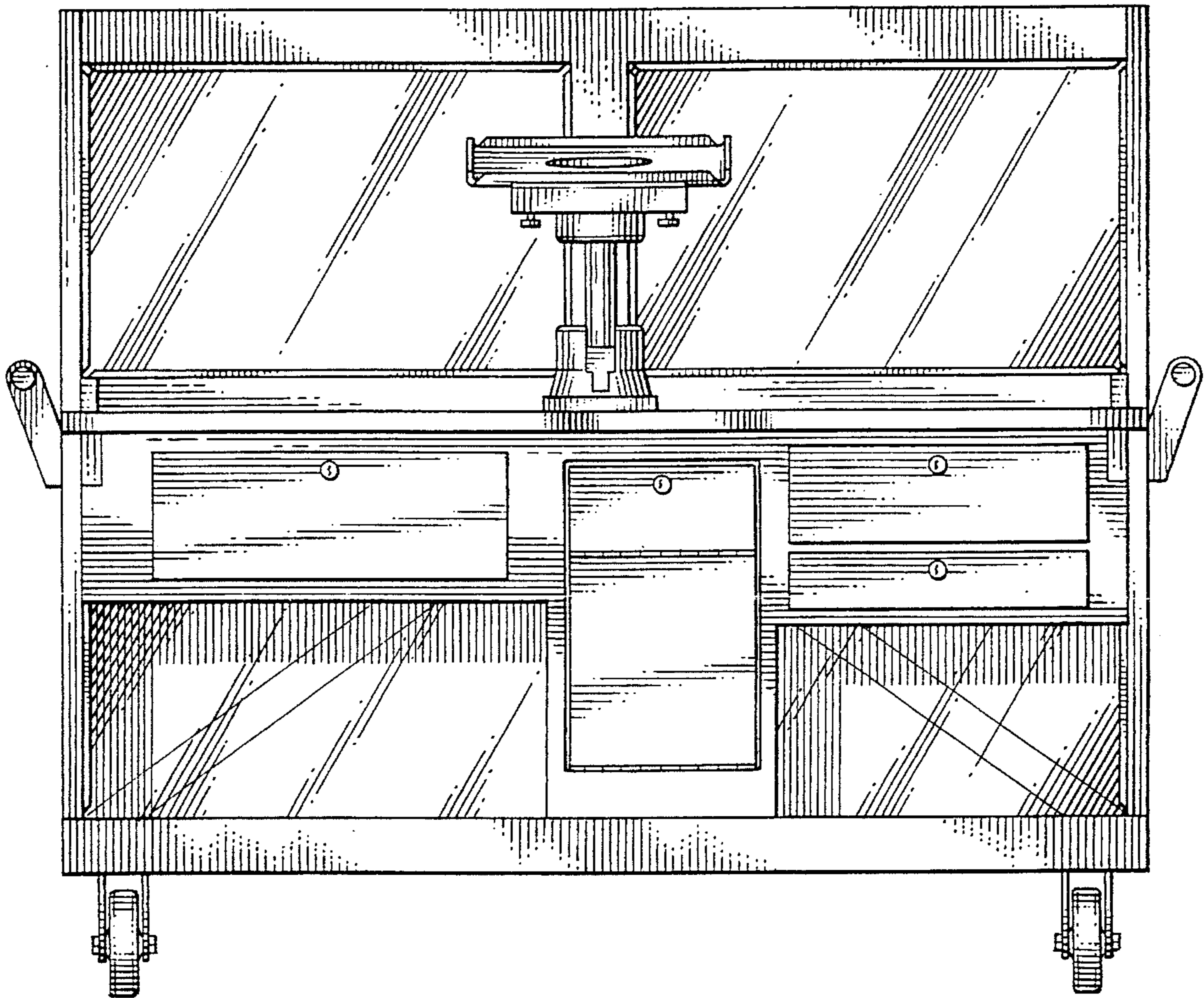
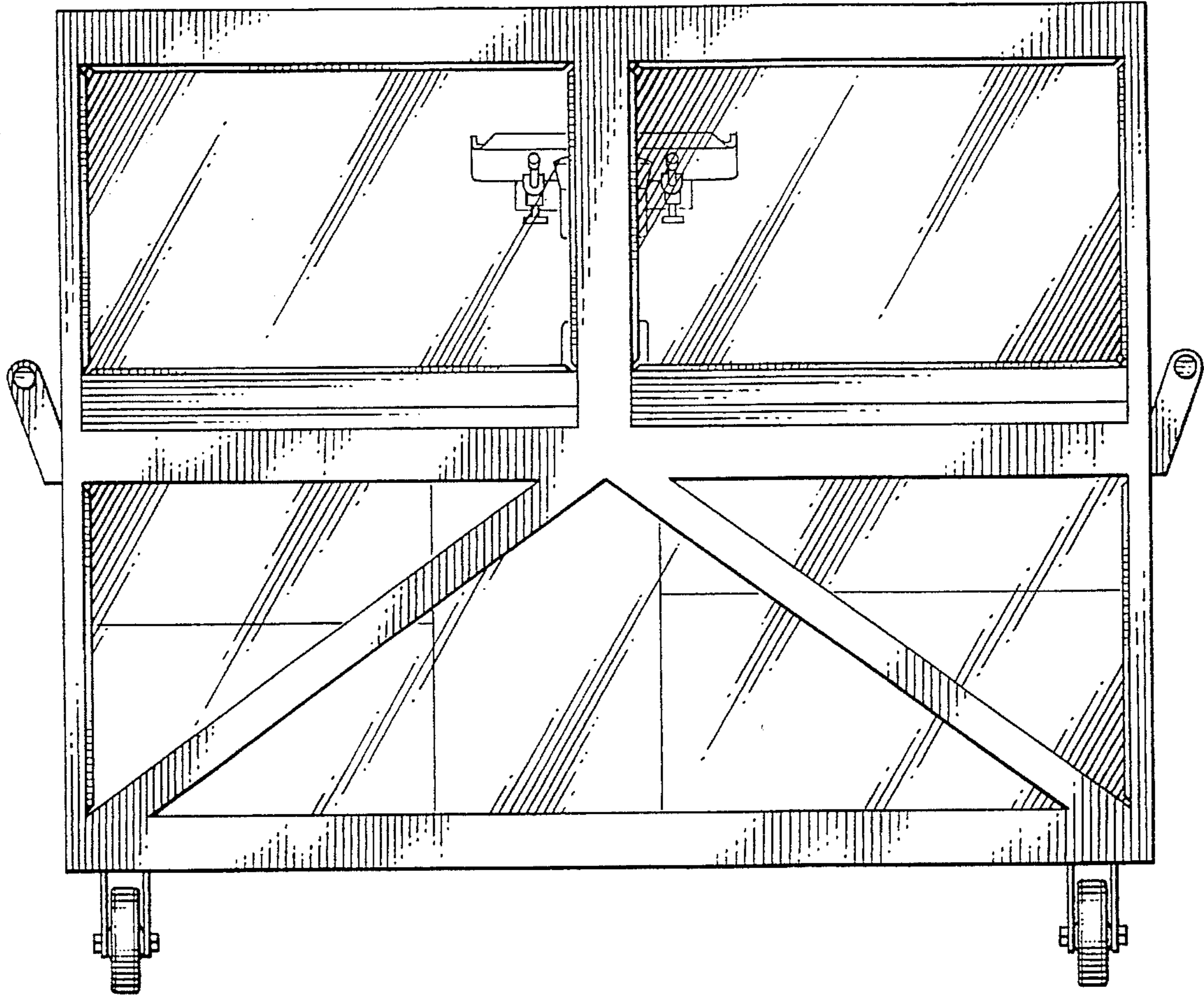


Fig. 4



*Fig. 5*



*Fig. 6*

