



US00D366745S

United States Patent [19]

[11] Patent Number: **Des. 366,745**

Kern et al.

[45] Date of Patent: ****Jan. 30, 1996**

[54] **FLAT BED CART**

FOREIGN PATENT DOCUMENTS

[75] Inventors: **Alan R. Kern; John A. LaFleur**, both of Richmond; **Goerge Hand**, Midlothian; **Bruce Ferris**, Richmond, all of Va.

0487147A1 5/1992 European Pat. Off. .
1595210 8/1981 United Kingdom .

Primary Examiner—Kay H. Chin
Attorney, Agent, or Firm—Bacon & Thomas

[73] Assignee: **Rehrig International, Inc.**, Richmond, Va.

[57] CLAIM

[**] Term: **14 Years**

The ornamental design for a flat bed cart, as shown and described.

[21] Appl. No.: **33,121**

DESCRIPTION

[22] Filed: **Jan. 5, 1995**

[52] U.S. Cl. **D34/17; D34/12**

[58] Field of Search **D34/12-27; 280/79.11, 280/79.3, 33.998, 47.34, 47.35, 47.36**

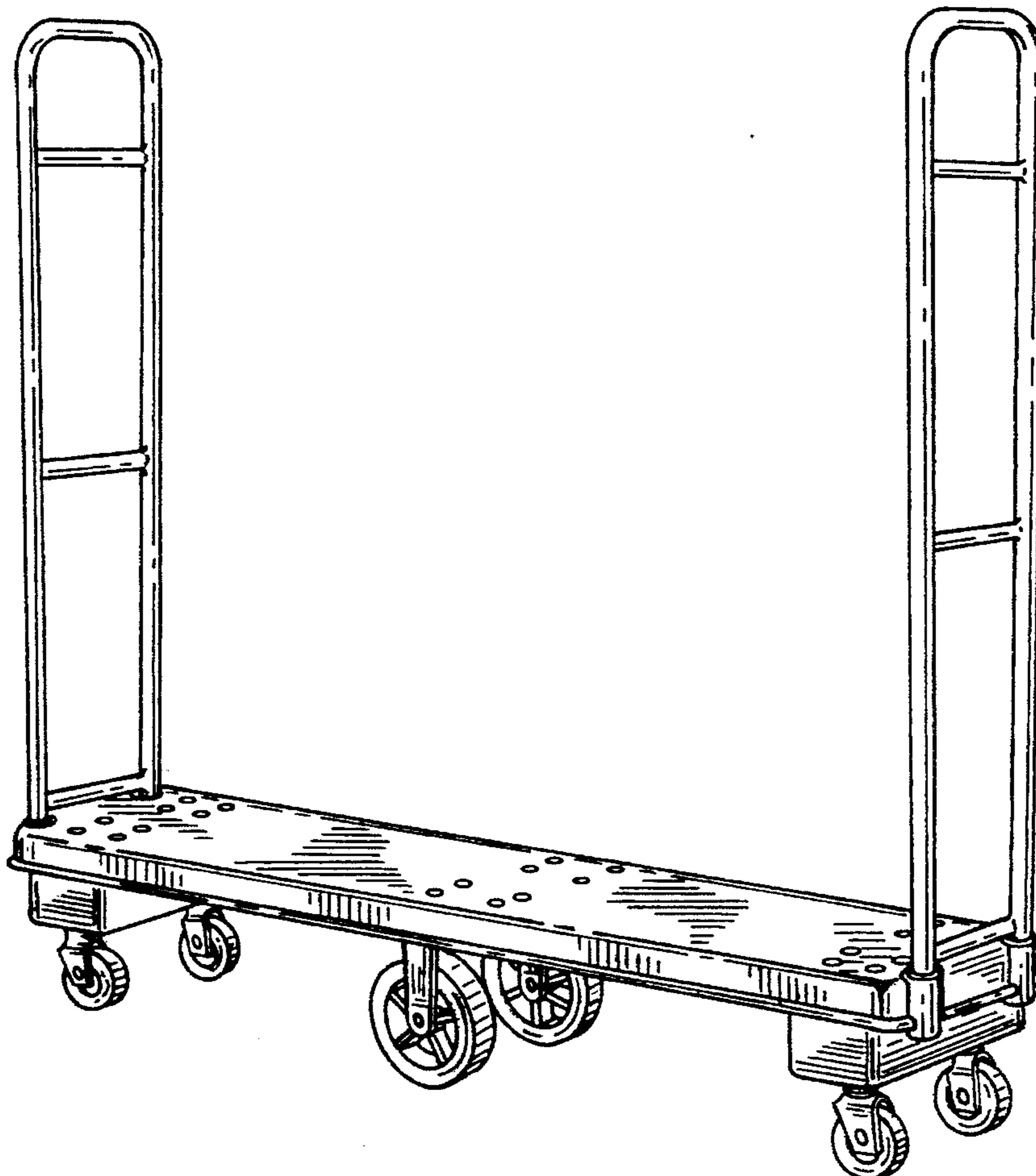
FIG. 1 is a perspective view of a flat bed cart as viewed from the upper left side showing our new design;
FIG. 2 is a perspective view of the flat bed cart as viewed from the lower left side, with portions of the handles omitted;
FIG. 3 is a top plan view of the flat bed cart;
FIG. 4 is a bottom plan view of the flat bed cart;
FIG. 5 is a left side elevational view of the flat bed cart, the right side being a mirror image thereof; and,
FIG. 6 is a rear elevational view of the flat bed cart, the front view being a mirror image thereof.

[56] References Cited

U.S. PATENT DOCUMENTS

- D. 294,760 3/1988 Vanderdoes, Sr. .
- D. 326,748 6/1992 Kirk .
- 4,077,644 3/1978 Roby et al. .
- 4,165,088 8/1979 Nelson .
- 4,458,906 7/1984 Lamson .

1 Claim, 3 Drawing Sheets



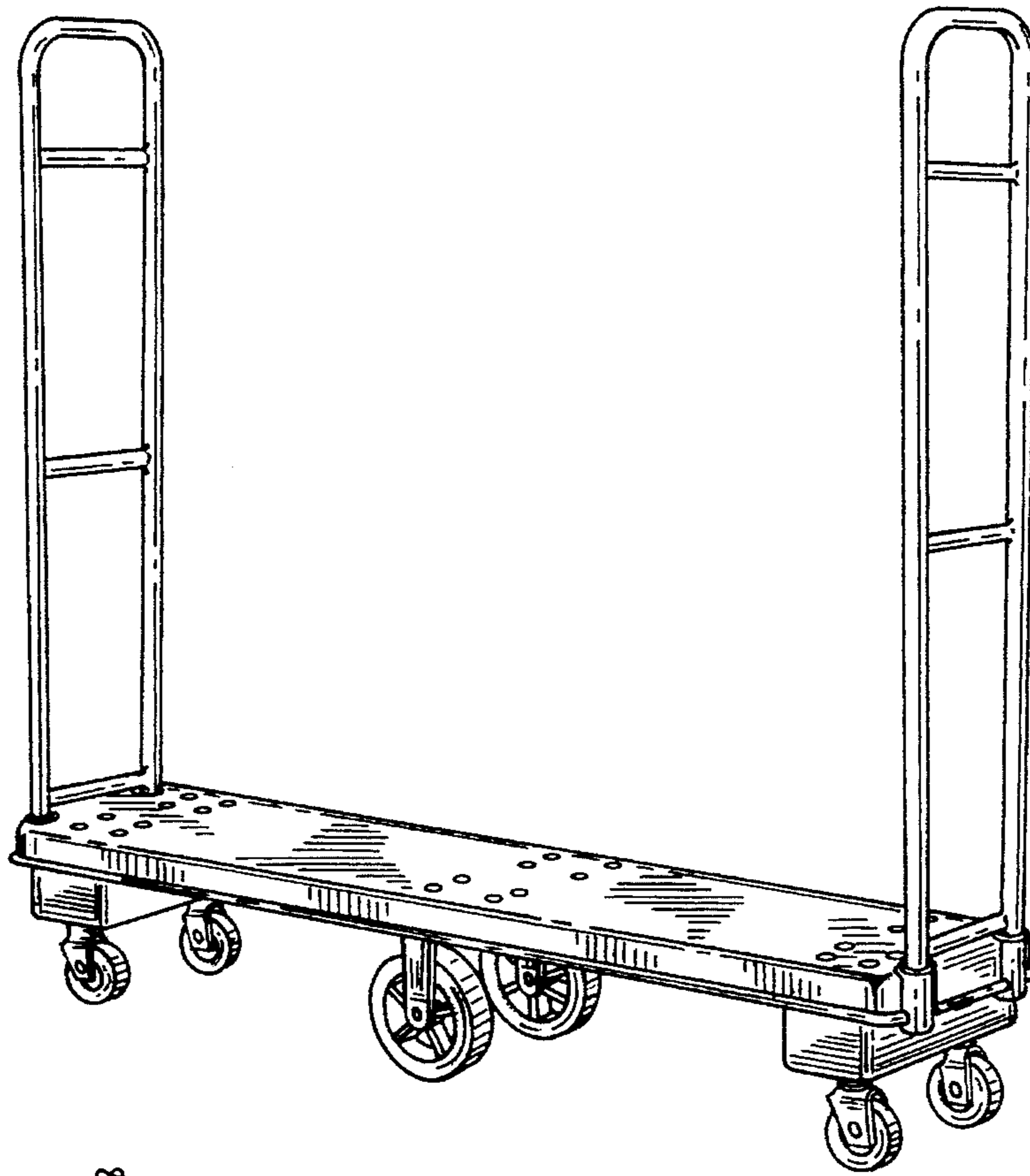


FIG. 1

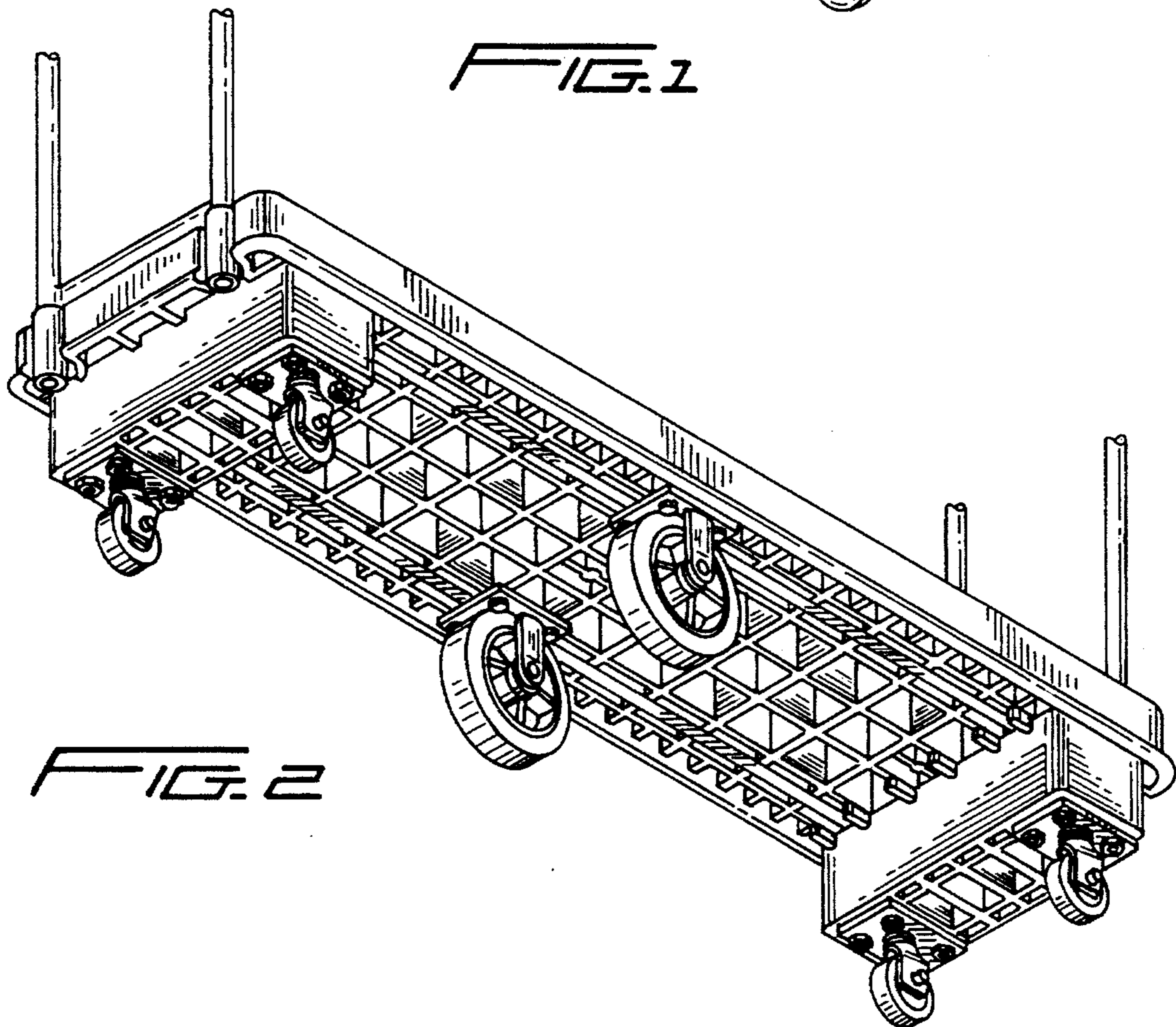


FIG. 2

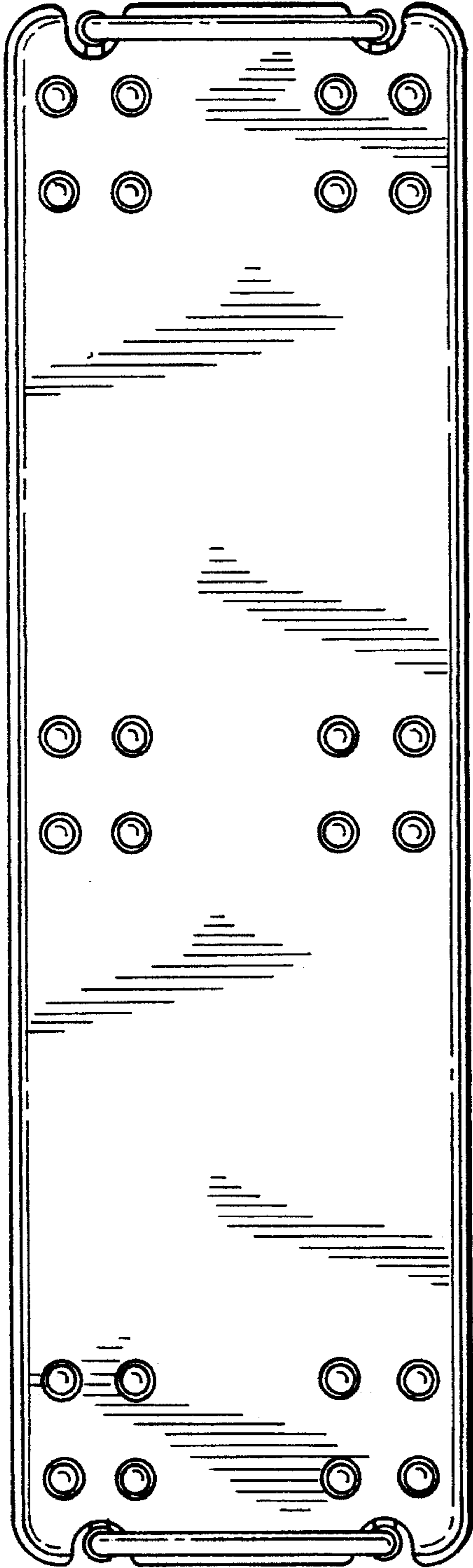


FIG. 3

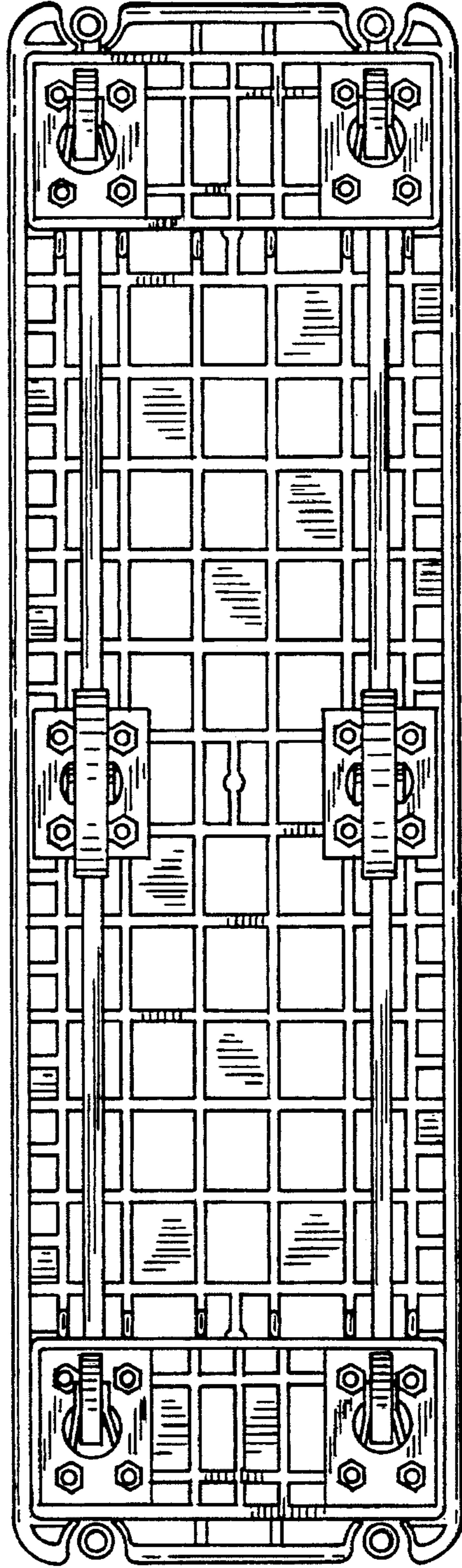


FIG. 4

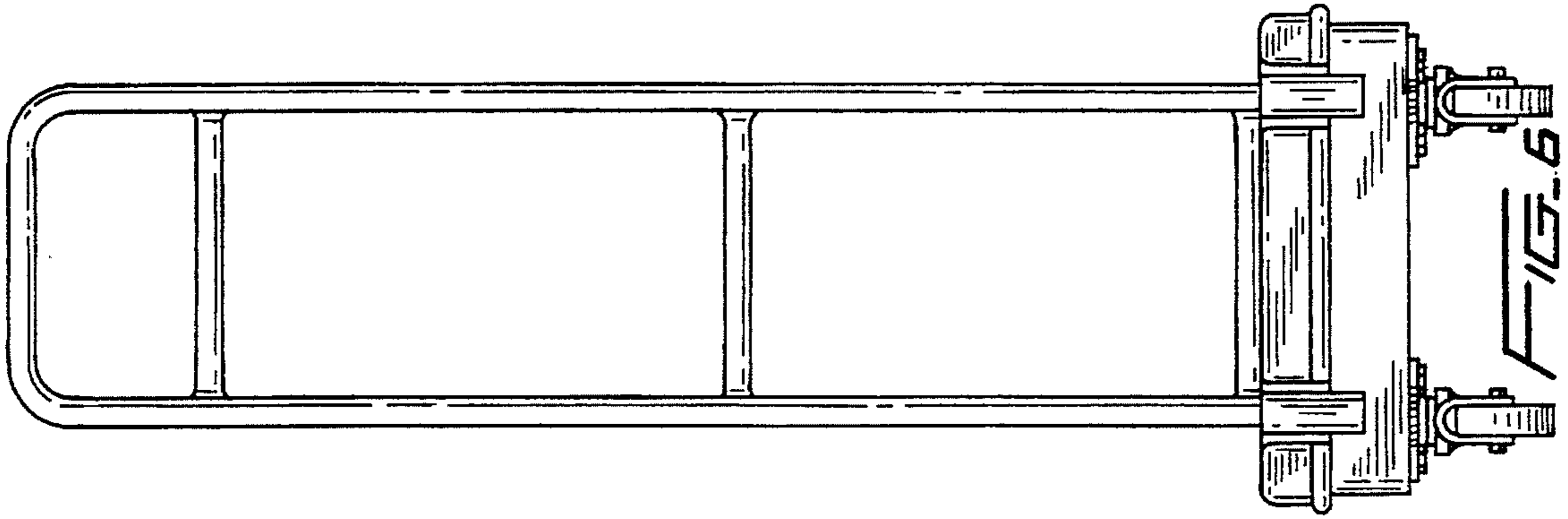


FIG. 6

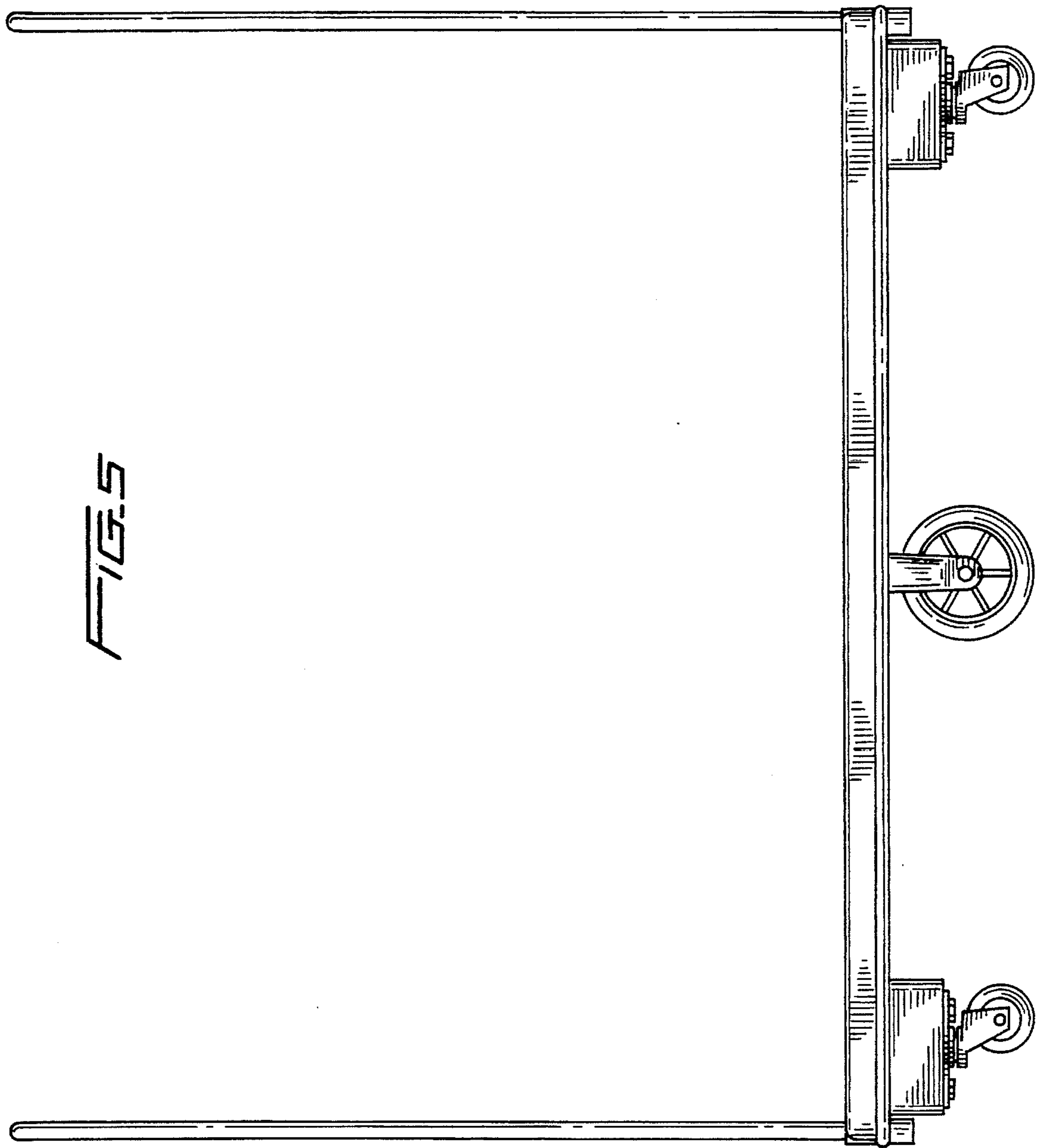


FIG. 5