



US00D366741S

**United States Patent** [19]

[11] **Patent Number: Des. 366,741**

**Roehrig**

[45] **Date of Patent: \*\*Jan. 30, 1996**

[54] **BRUSH HOLDER**

*Primary Examiner*—A. Hugo Word  
*Assistant Examiner*—Robin V. Taylor

[76] Inventor: **Terrence A. Roehrig**, 2827 Elmwood,  
Sylvania, Ohio 43560

[57] **CLAIM**

[\*\*] Term: **14 Years**

The ornamental design for a brush holder, as shown and described.

[21] Appl. No.: **29,907**

**DESCRIPTION**

[22] Filed: **Oct. 19, 1994**

[52] U.S. Cl. .... **D32/54; D8/371**

[58] **Field of Search** ..... **D32/53-54; 15/260,**  
**15/262; 220/697-702; D9/434, 436; D8/373,**  
**371, 395; 211/65; 248/110, 113; D6/551,**  
**554**

FIG. 1 is a front elevational view of the brush holder showing my new design;

FIG. 2 is a rear elevational view thereof;

FIG. 3 is a left side elevational view thereof;

FIG. 4 is a right side elevational view thereof;

FIG. 5 is a top plan view thereof;

FIG. 6 is a bottom plan view thereof;

FIG. 7 is an isometric view showing a use thereof; and,

FIG. 8 is a n isometric view thereof.

[56] **References Cited**

**U.S. PATENT DOCUMENTS**

D. 222,430	10/1971	Millar .....	D8/373
1,286,014	11/1918	Jetmund .....	248/113
1,643,661	9/1927	Kendall .....	211/65
2,807,431	9/1957	McHale .....	D8/373

The broken line showing of a paint can and paint brush in FIG. 7 is for illustrative purposes only and forms no part of the claimed design.

**1 Claim, 5 Drawing Sheets**

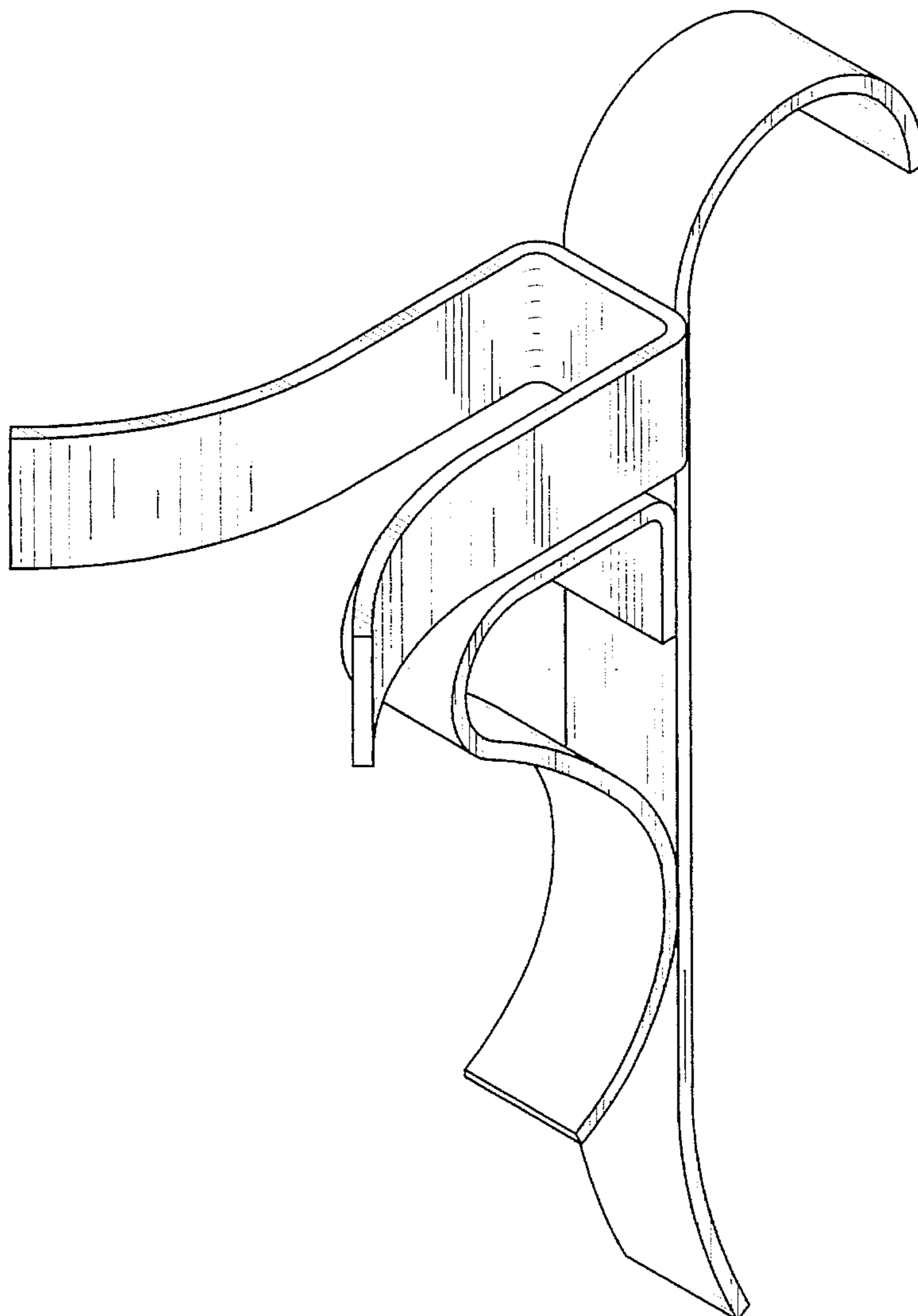


FIG. 1

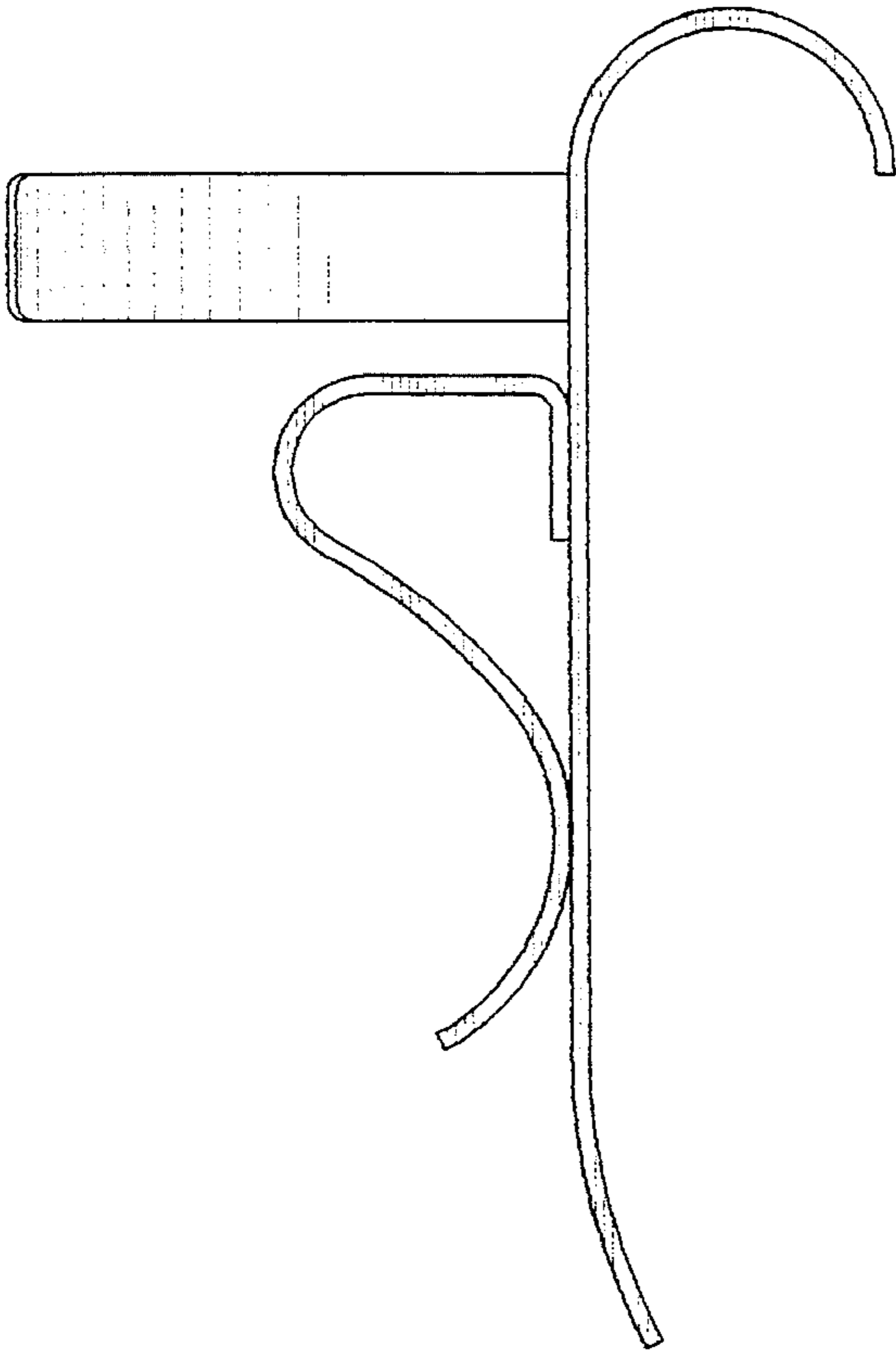


FIG. 2

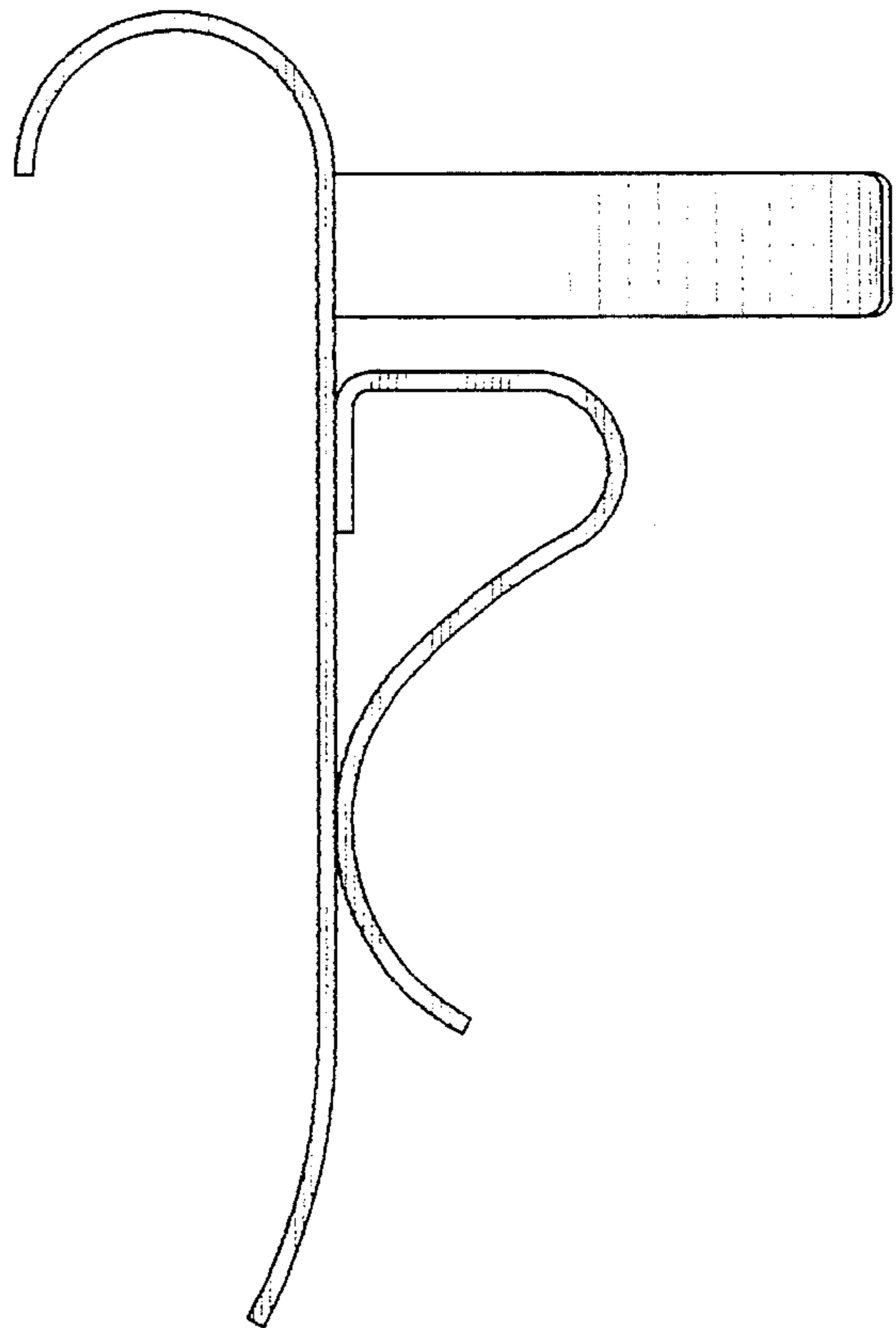


FIG. 3

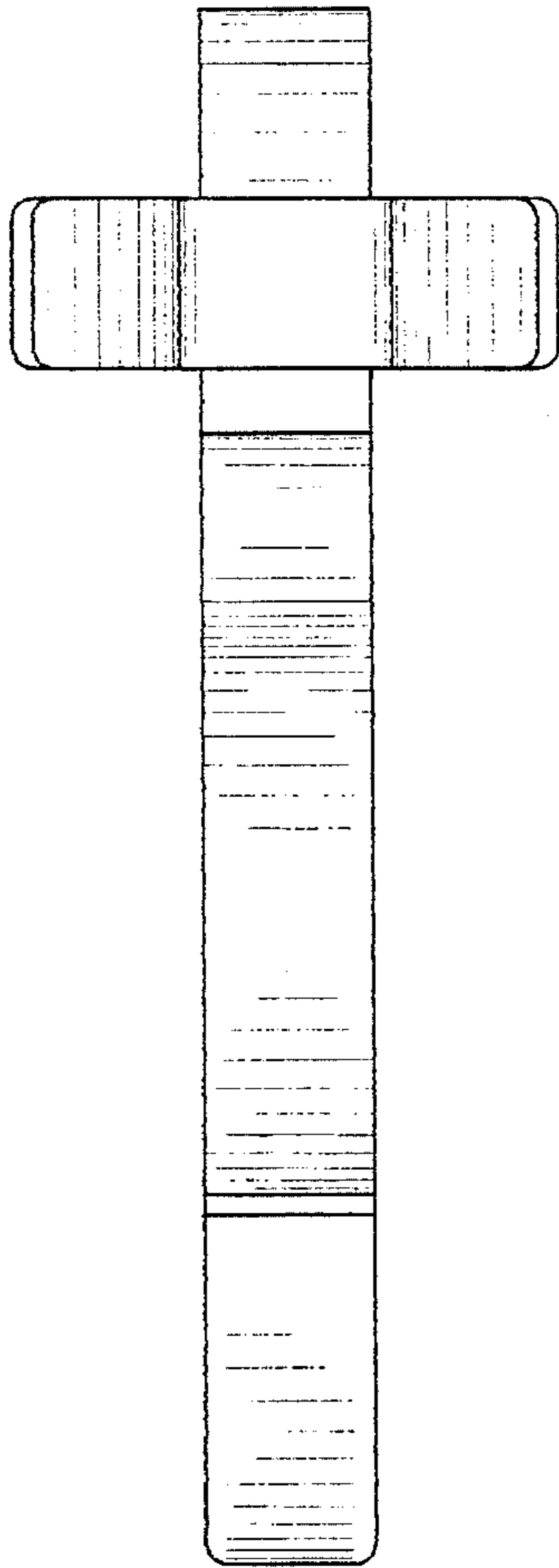


FIG. 4

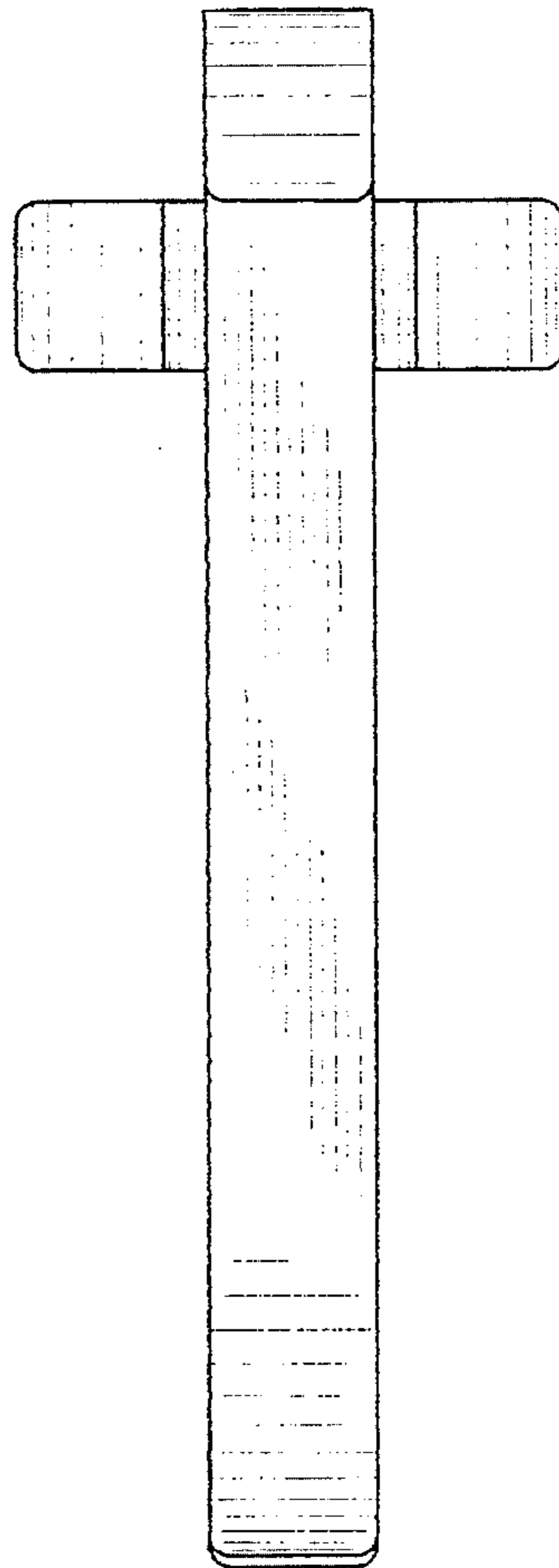


FIG. 5

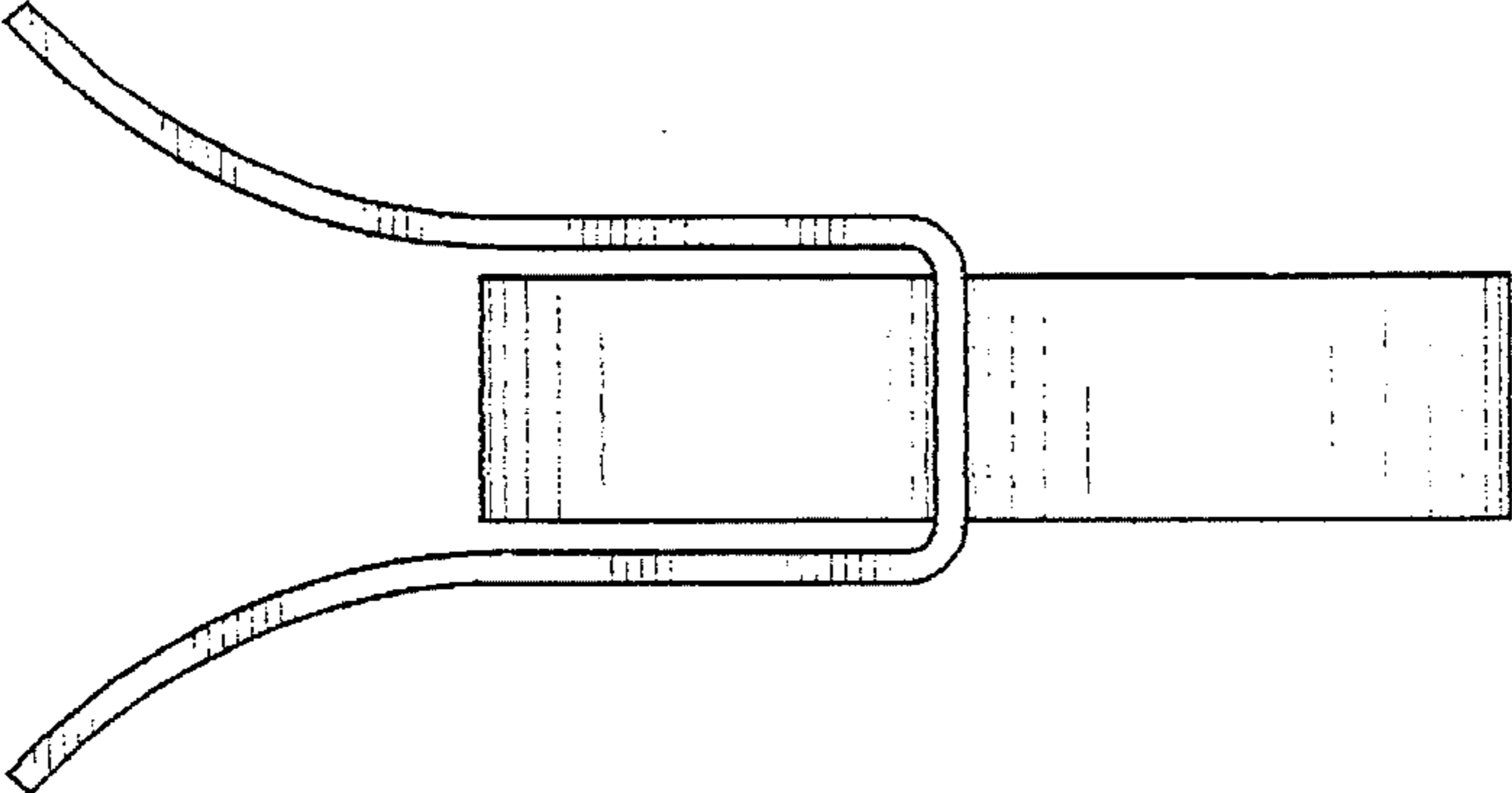


FIG. 6

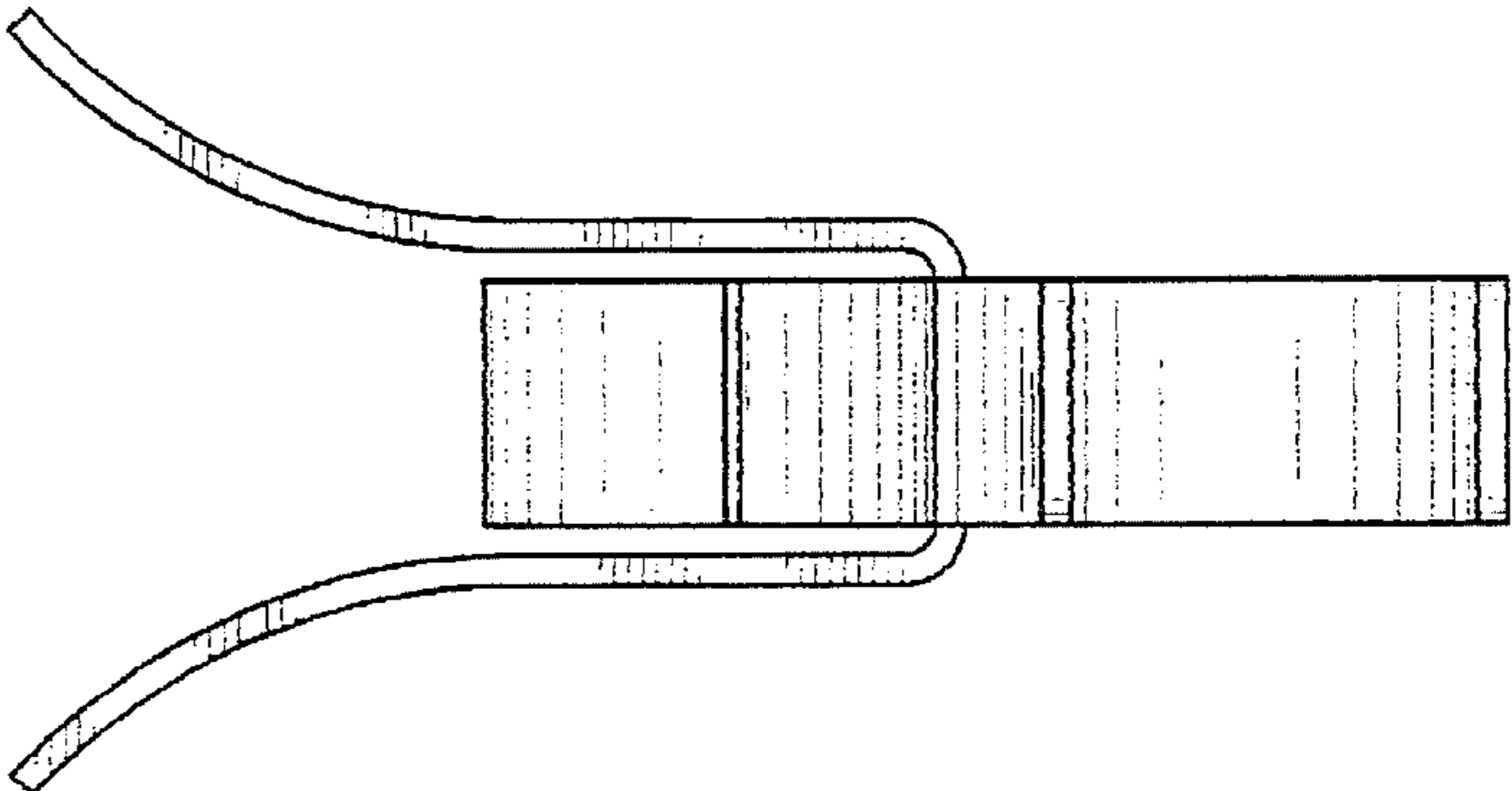


FIG. 7

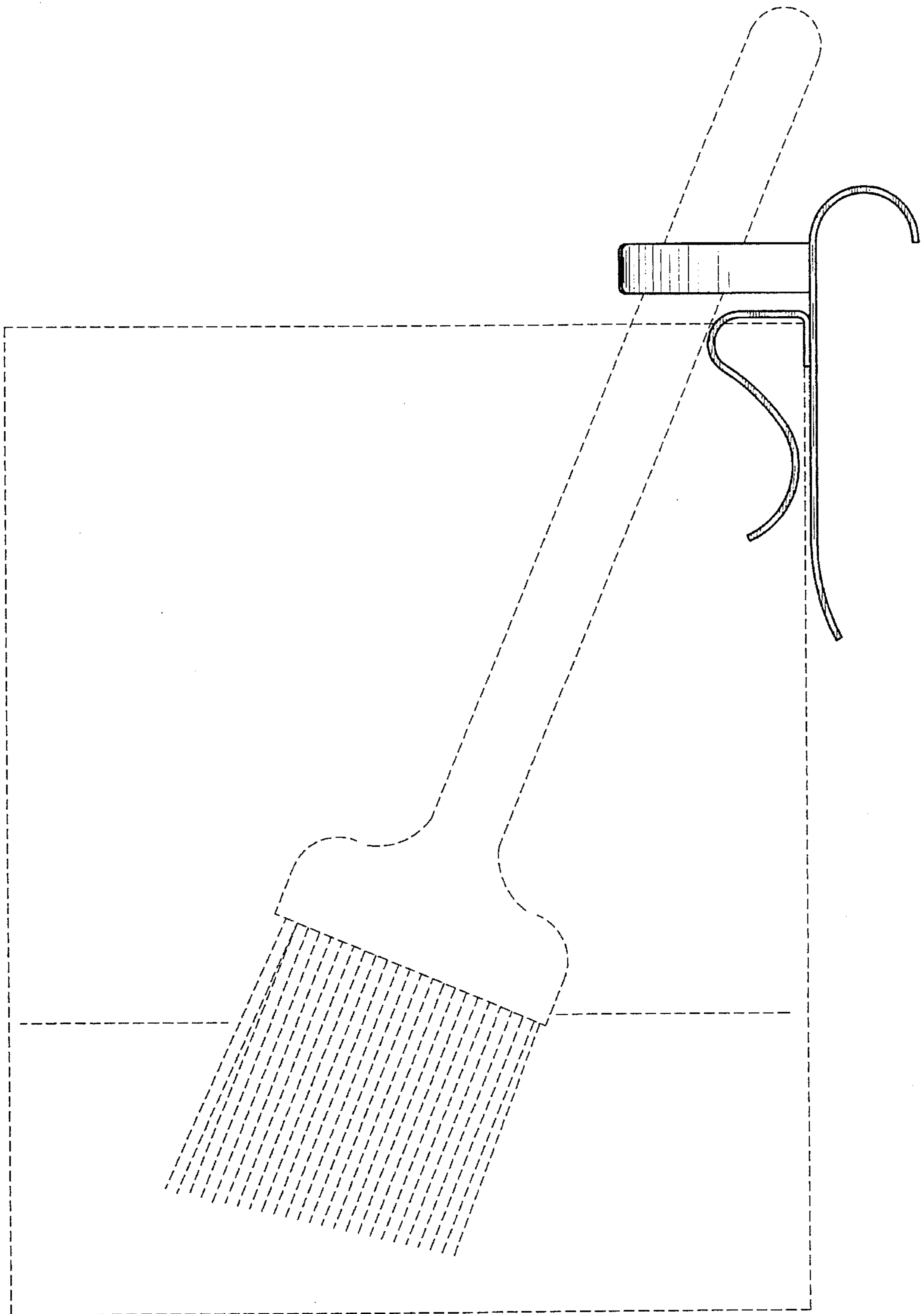


FIG. 8

