



US00D366740S

# United States Patent [19]

Clausen et al.

[11] Patent Number: Des. 366,740

[45] Date of Patent: \*\*Jan. 30, 1996

[54] DUST MOP HEAD

[75] Inventors: **Ken F. Clausen**, Doylestown; **Vincent L. Haley**, Orrville, both of Ohio

[73] Assignee: **Rubbermaid Incorporated**, Wooster, Ohio

[\*\*] Term: **14 Years**

[21] Appl. No.: **27,064**

[22] Filed: **Aug. 11, 1994**

[52] U.S. Cl. .... **D32/50**

[58] Field of Search ..... D32/50, 51, 52; 15/115, 119.1, 118, 229.3, 229.6, 229.7, 229.8, 228, 229.9

4,384,383 5/1983 Bryant ..... 15/159  
 4,407,039 10/1983 Moss ..... 15/144  
 4,580,307 4/1986 Moss ..... 15/147  
 4,766,632 8/1988 Murray ..... 15/147  
 4,799,283 1/1989 Haydon ..... 15/229  
 4,852,210 8/1989 Krajicek ..... 15/228  
 4,971,471 11/1990 Sloan ..... 401/203  
 4,991,250 2/1991 Young ..... 15/228  
 5,161,278 11/1992 Tomm ..... 15/159.1  
 5,165,138 11/1992 Garabedian ..... 15/247  
 5,218,734 6/1993 Sacks ..... 15/147.2

### FOREIGN PATENT DOCUMENTS

0798408 3/1936 France ..... 15/228  
 1084871 10/1953 France .  
 7411139 3/1974 France .  
 169358 5/1948 Germany .  
 3923859 7/1989 Germany .

### [56] References Cited

#### U.S. PATENT DOCUMENTS

D. 188,237 6/1960 Littleton ..... D32/50  
 D. 213,217 1/1969 Littleton ..... D32/50  
 D. 289,338 4/1987 Sartori ..... D32/50  
 D. 295,914 5/1988 Moss et al. .... D32/50  
 D. 348,357 7/1994 Libman ..... D4/199  
 D. 349,375 8/1994 Berti ..... D32/50  
 1,604,343 10/1926 Greenwood .  
 1,609,295 12/1926 Glover .  
 2,586,472 2/1952 McKown ..... 15/236  
 2,884,655 5/1959 Maddox ..... D32/40 X  
 2,916,759 12/1959 Smith ..... 15/247  
 2,980,457 4/1961 Page ..... 287/86  
 3,089,173 5/1963 Hunt ..... 15/245  
 3,099,855 8/1963 Nash ..... 15/231  
 3,362,037 1/1968 Griffin ..... 15/229  
 3,395,415 8/1968 Leland ..... 15/121  
 3,528,073 9/1970 Anderson ..... 15/228  
 3,682,516 8/1972 Savage ..... 306/30  
 3,713,184 1/1973 Leland ..... 15/229  
 3,760,450 9/1973 Griffin et al. .... 15/229  
 3,843,993 10/1974 Leland ..... 15/231  
 3,909,870 10/1975 Leland ..... 15/121  
 3,991,431 11/1976 Thielen ..... 15/147  
 3,996,639 12/1976 Griffin et al. .... 15/229  
 4,152,807 5/1979 Smahlik ..... 15/246  
 4,215,448 8/1980 Burns et al. .... 15/210

### OTHER PUBLICATIONS

Pp. 22 and 24, Frames and handles and broom heads; Rubbermaid Commercial Products Inc., 3124 Valley Avenue, Winchester, Virginia 22601. Publication date 1992.

*Primary Examiner*—A. Hugo Word  
*Assistant Examiner*—Cynthia E. Ramirez  
*Attorney, Agent, or Firm*—Richard B. O'Planick; Lisa B. Riedesel

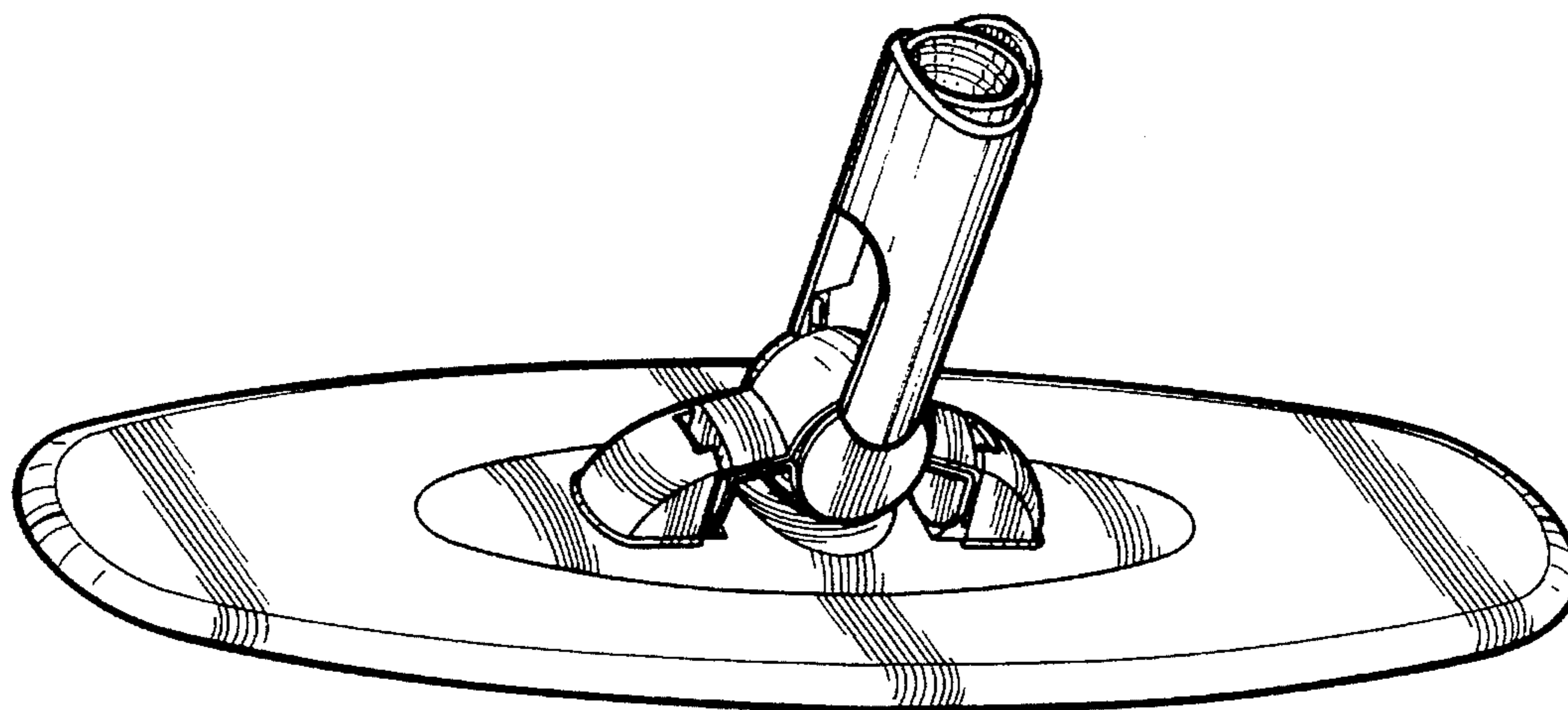
### [57] CLAIM

The ornamental design for a dust mop head, as shown and described.

### DESCRIPTION

FIG. 1 is a top left front perspective view of a dust mop head showing our new design;  
 FIG. 2 is a front elevational view thereof; the rear elevational view being a mirror image;  
 FIG. 3 is a top plan view thereof;  
 FIG. 4 is a right side elevational view thereof; the left side elevational view being a mirror image; and,  
 FIG. 5 is a bottom plan view thereof.

1 Claim, 3 Drawing Sheets



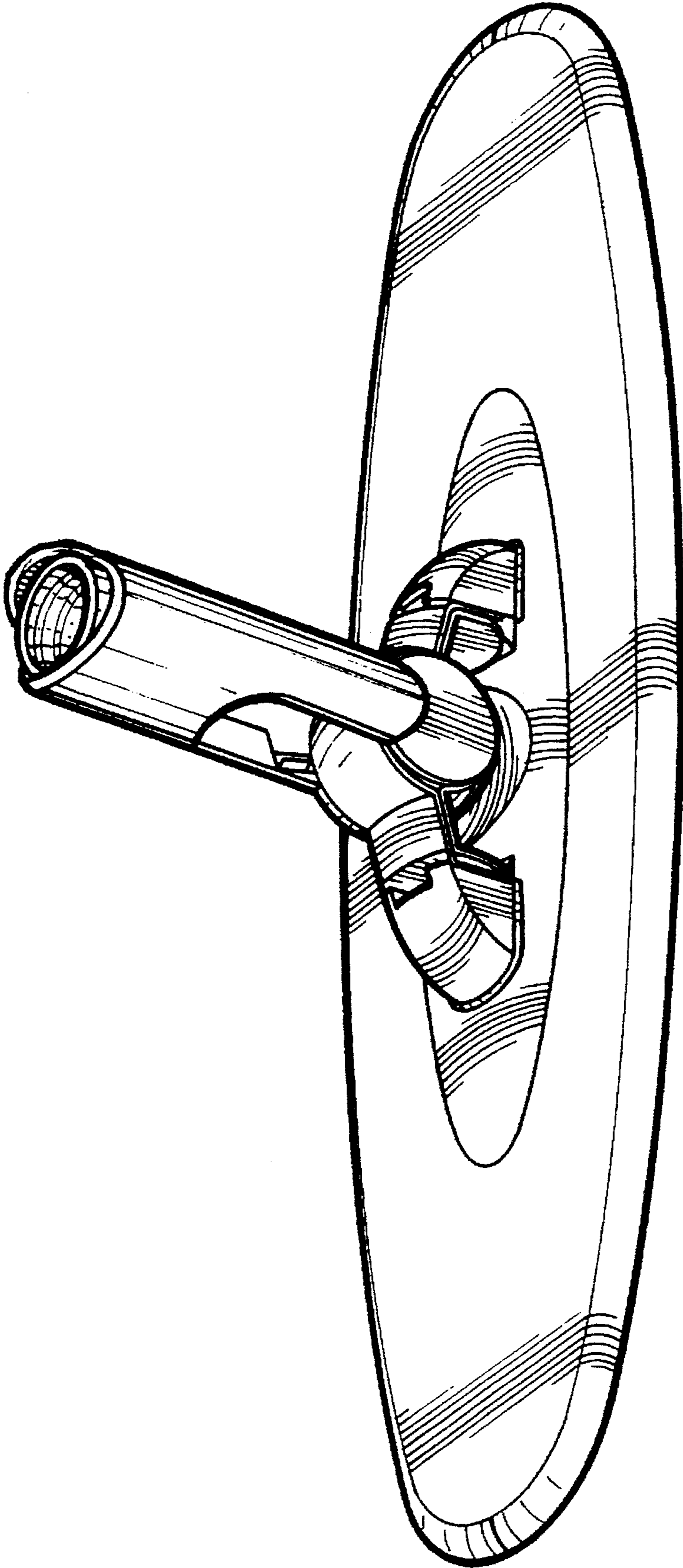


Fig-1

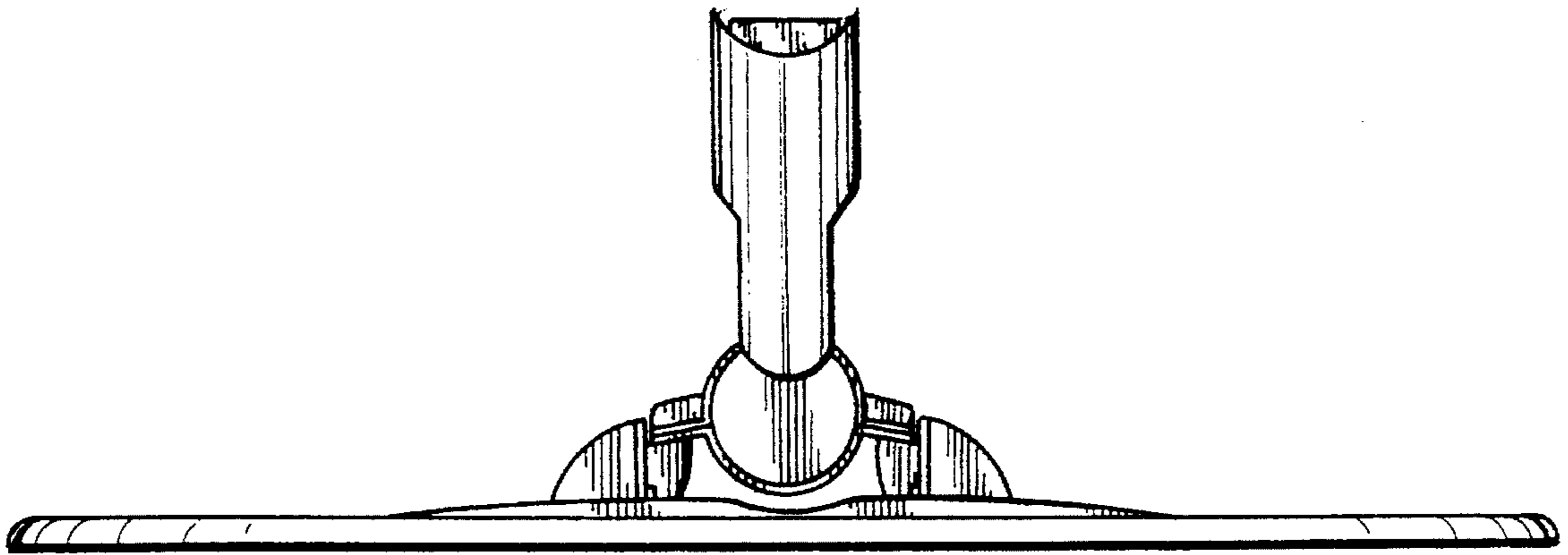


Fig-2

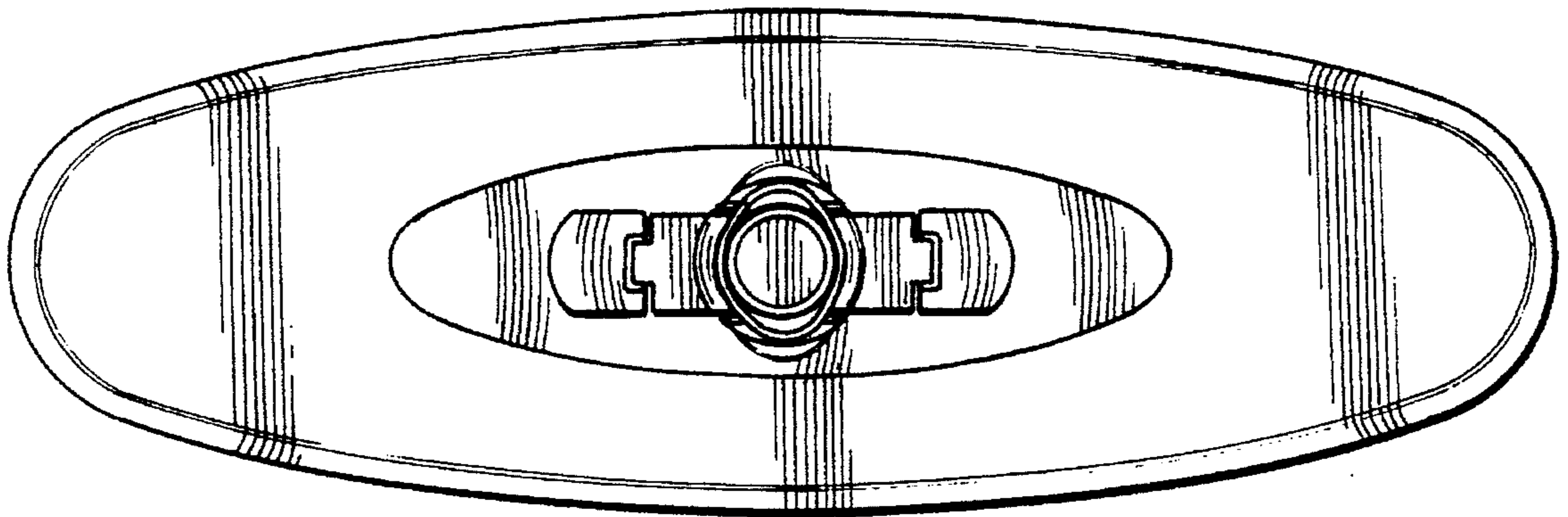


Fig-3



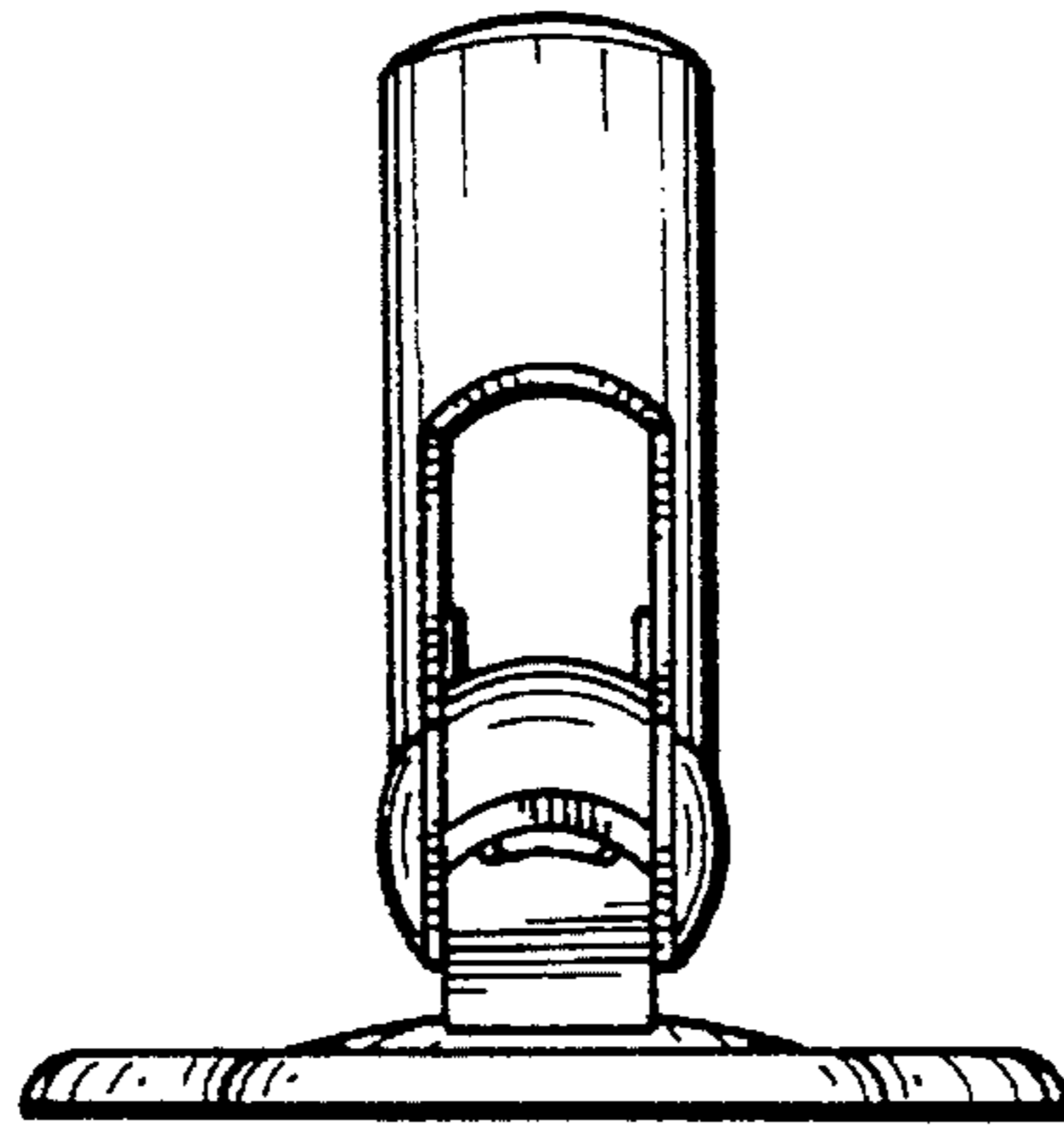


Fig-4

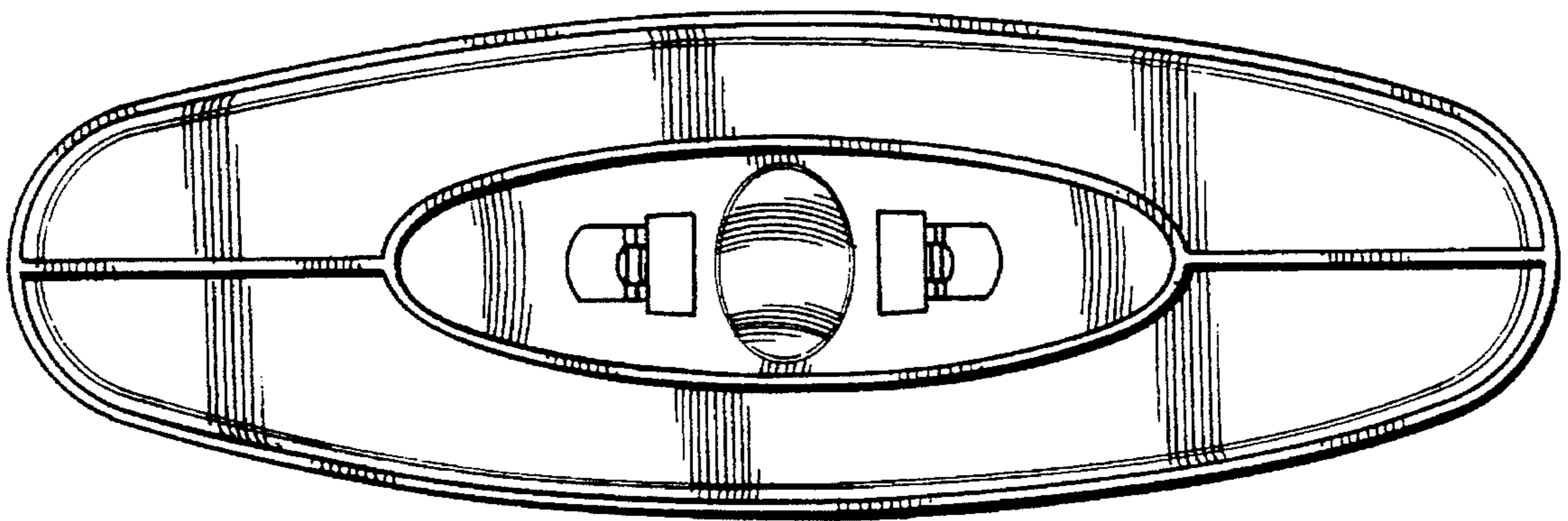


Fig-5