



US00D366738S

United States Patent [19]

Israel

[11] Patent Number: **Des. 366,738**

[45] Date of Patent: ****Jan. 30, 1996**

[54] **COMBINATION ICE SCRAPER AND SNOW BROOM**

[75] Inventor: **Gary P. Israel**, Andover, Kans.

[73] Assignee: **Wescon Products Company**, Wichita, Kans.

[**] Term: **14 Years**

[21] Appl. No.: **32,695**

[22] Filed: **Dec. 23, 1994**

[52] U.S. Cl. **D32/42; D32/49**

[58] Field of Search **D32/40, 41, 42, D32/46, 48, 49; 15/105, 111, 114, 117, 121, 236.01, 236.02, 236.09; 30/169**

[56] **References Cited**

U.S. PATENT DOCUMENTS

- D. 167,335 7/1952 Carter D32/41 X
- D. 271,626 11/1983 Bauer D32/42
- D. 271,627 11/1983 Bauer D32/42

- D. 278,099 3/1985 Evans D32/42 X
- D. 292,949 12/1987 Vetter D32/42 X
- D. 308,139 5/1990 Viner D32/42 X
- D. 308,140 5/1990 Klamm D32/42 X
- D. 315,975 4/1991 Huang D32/41

Primary Examiner—A. Hugo Word
Assistant Examiner—Cynthia E. Ramirez
Attorney, Agent, or Firm—Hovey, Williams, Timmons & Collins

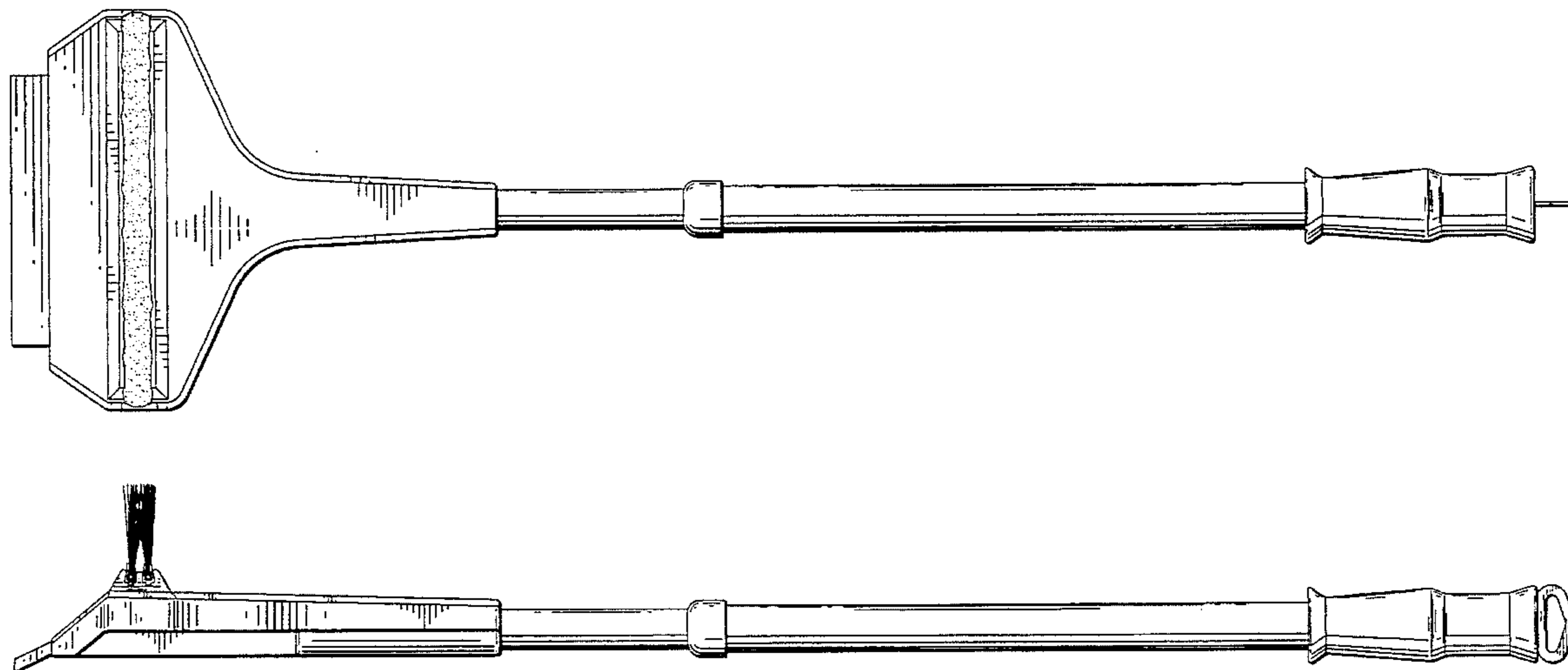
[57] **CLAIM**

The ornamental design for a combination ice scraper and snow broom, as shown and described.

DESCRIPTION

FIG. 1 is a top plan view;
 FIG. 2 is a side elevational view, the opposite side being identical in appearance;
 FIG. 3 is a bottom plan view;
 FIG. 4 is a rear elevational view; and
 FIG. 5 is a front elevational view.

1 Claim, 2 Drawing Sheets



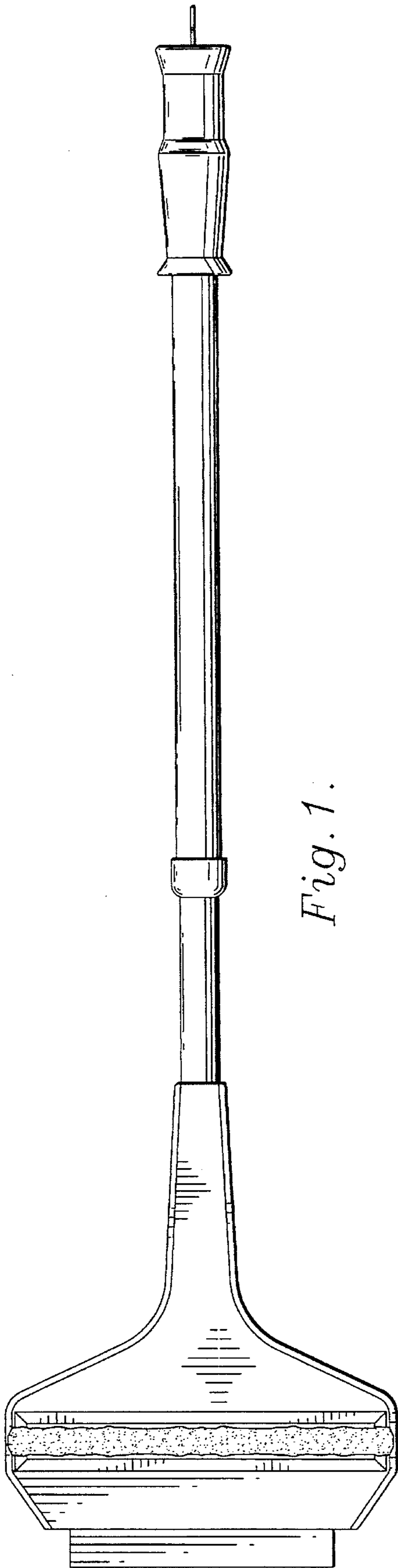


Fig. 1.

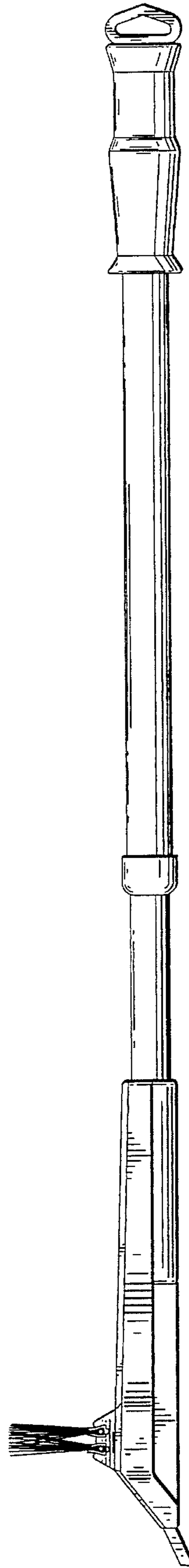


Fig. 2.

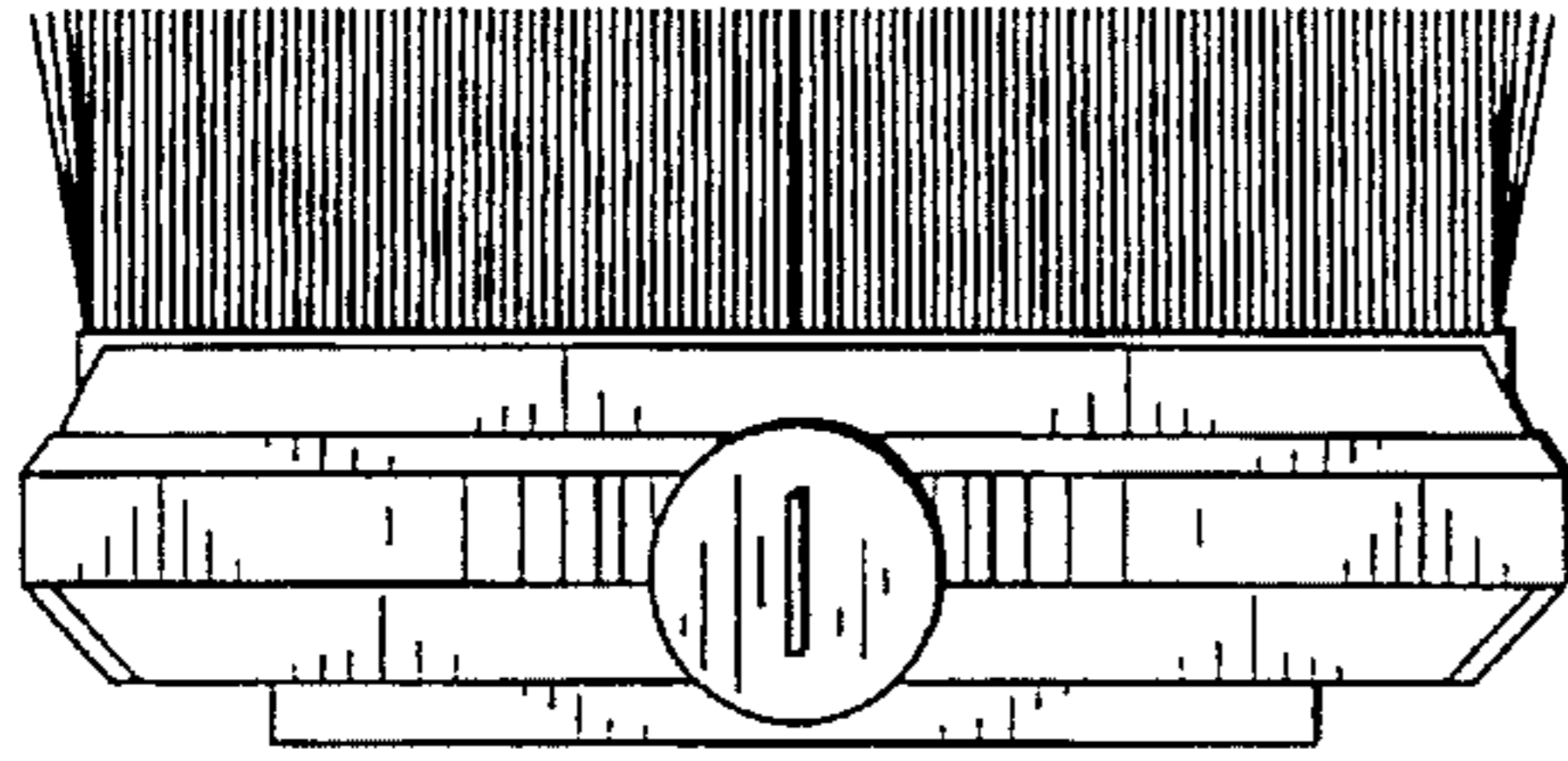


Fig. 4.

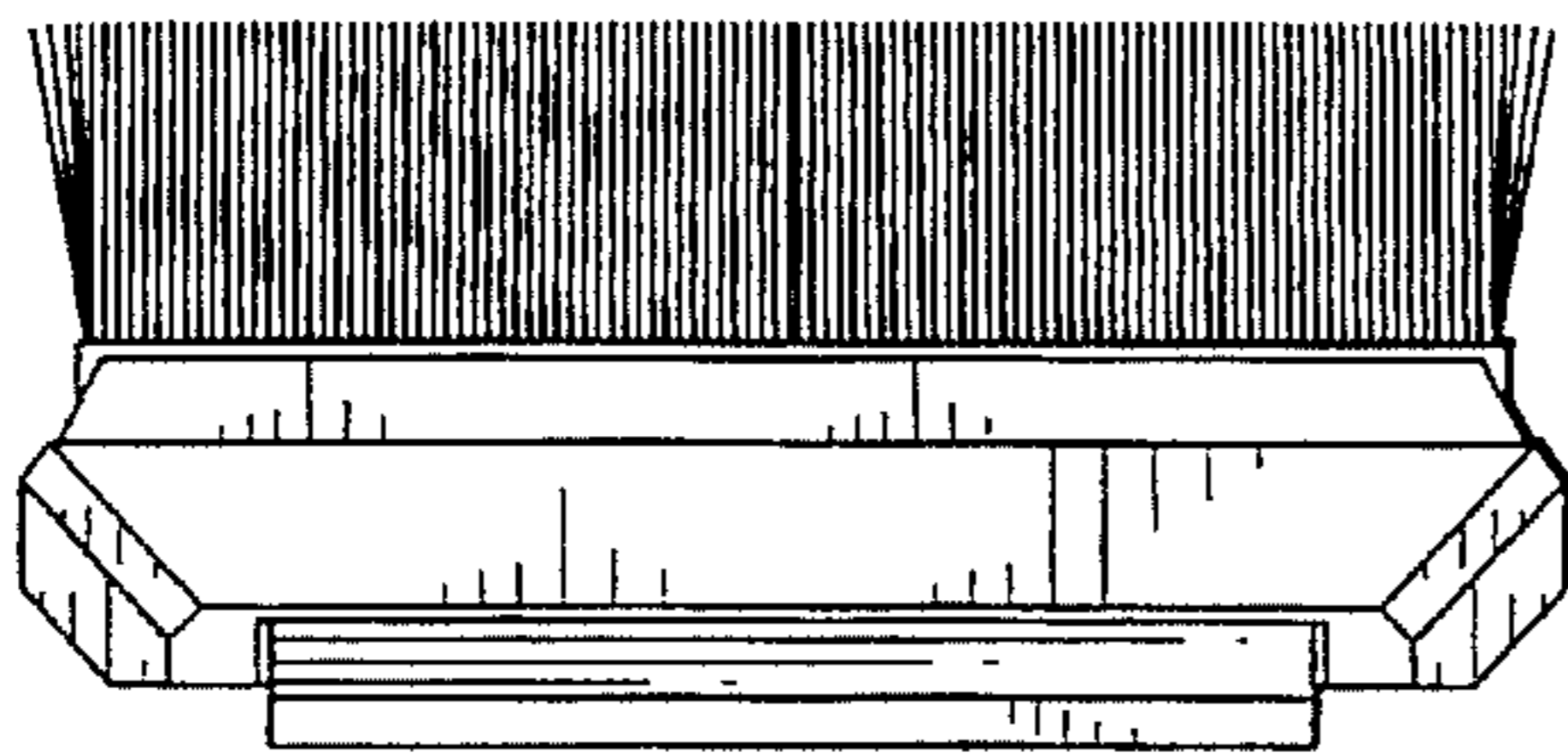


Fig. 5.

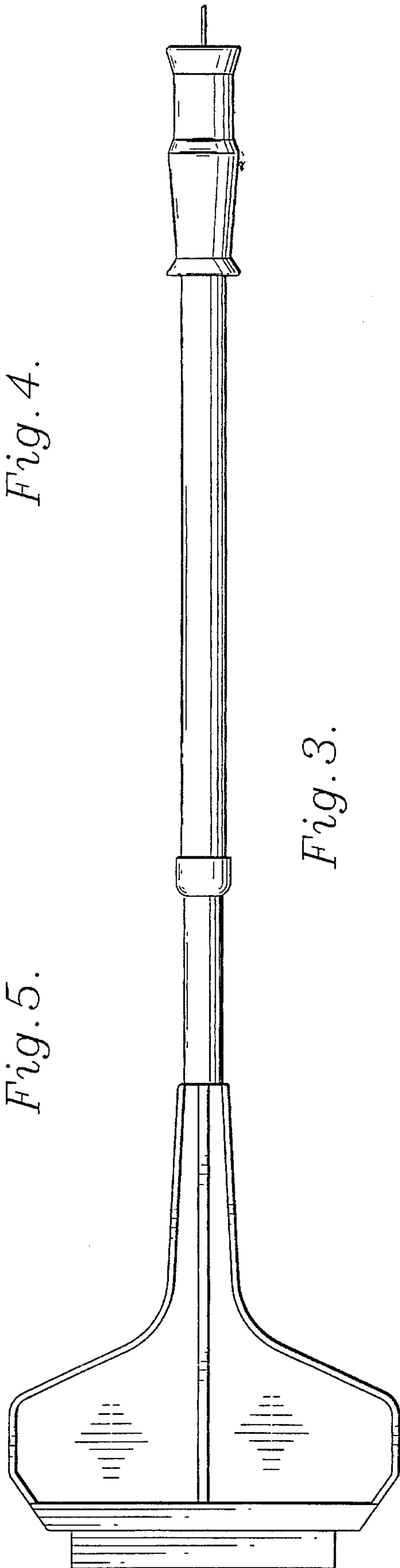


Fig. 3.