



US00D366736S

United States Patent [19]

Northrop et al.

[11] Patent Number: **Des. 366,736**

[45] Date of Patent: ****Jan. 30, 1996**

- [54] **STUMP DOG HOUSE**
- [75] Inventors: **Melaney L. Northrop**, Cleburne;
Matthew J. Vallo, Frisco, both of Tex.
- [73] Assignee: **Doskocil Manufacturing Company, Inc.**, Arlington, Tex.
- [**] Term: **14 Years**
- [21] Appl. No.: **30,923**
- [22] Filed: **Nov. 14, 1994**
- [52] U.S. Cl. **D30/112; D25/16; D22/199**
- [58] Field of Search 119/19, 17, 165,
119/168; D30/108, 109, 112, 161, 111;
D25/16; D22/199; 43/1

4,962,729 10/1990 Barreto et al. 119/19
5,351,646 10/1994 Zoroofy 119/19

FOREIGN PATENT DOCUMENTS

8477 5/1894 Switzerland .
2118015 10/1983 United Kingdom 119/19

OTHER PUBLICATIONS

Bass Pro Shops Hunting Catalog; 1992; p. 111; Pop Top™ Blind.
The Sportsman's Guide; p. 61; The Huntin' Stump Blind.
Scientific American; Jul. 10, 1920; p. 43; Chicken Coup barrel.

Primary Examiner—Cathy Anne MacCormac
Attorney, Agent, or Firm—Baker & Botts

[57] CLAIM

The ornamental design for a stump dog house, as shown.

DESCRIPTION

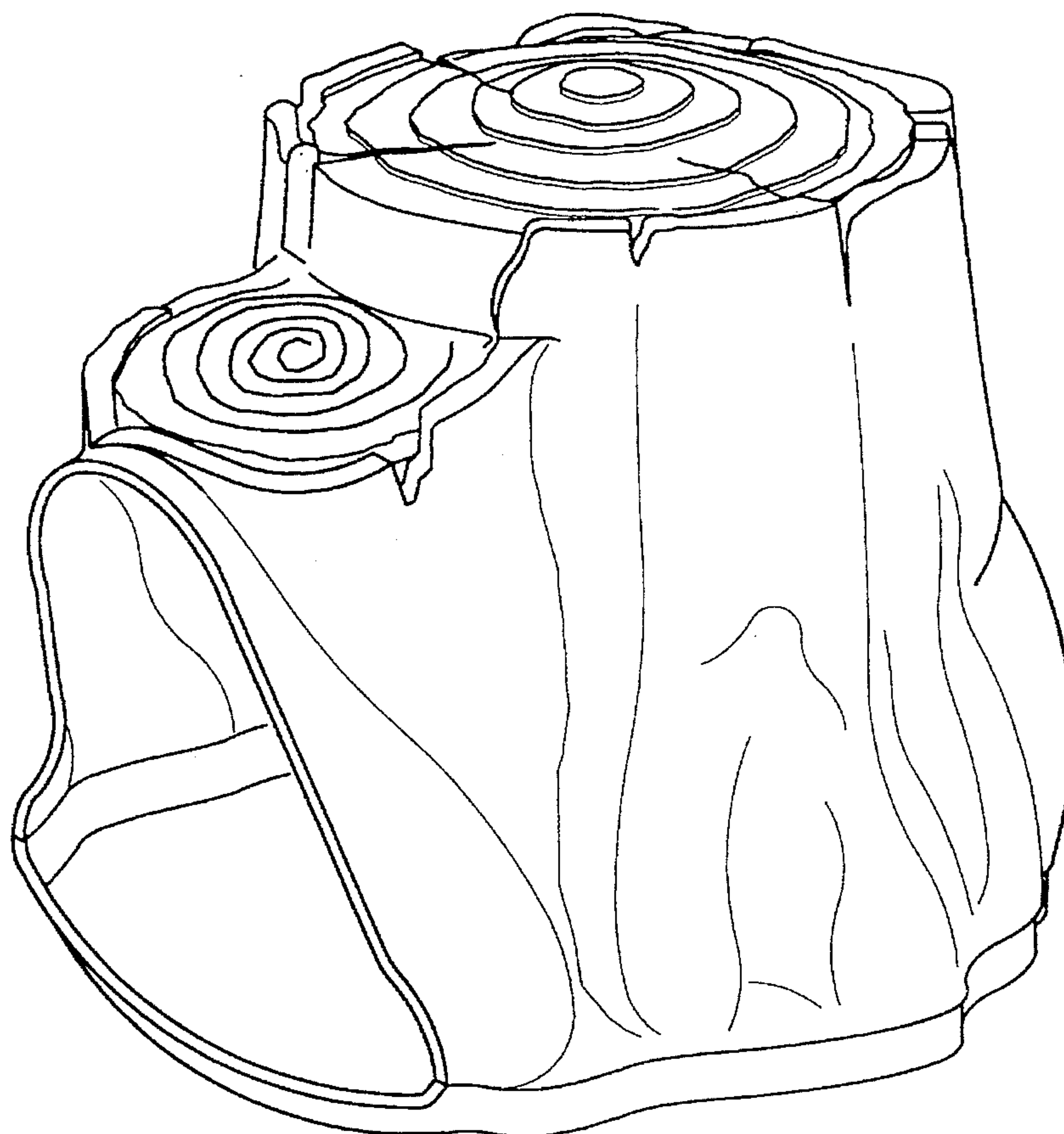
FIG. 1 is a perspective view taken from the top and right side of a stump doghouse showing our new design;
FIG. 2 is a top plan view thereof;
FIG. 3 is a front elevational view thereof;
FIG. 4 is a rear elevational view thereof;
FIG. 5 is a right side elevational view thereof; and,
FIG. 6 is a left side elevational view thereof.

1 Claim, 3 Drawing Sheets

[56] References Cited

U.S. PATENT DOCUMENTS

D. 245,190	7/1977	Higo	D30/108
D. 246,540	11/1977	Burleson	D30/112
D. 298,371	11/1988	Reynolds	D30/161
D. 317,665	6/1991	Marshall	D30/108
D. 334,627	4/1993	Morris	D25/16
D. 350,399	9/1994	Bodrie	D25/16
2,992,503	7/1961	Webb	43/1
3,147,736	9/1964	Daniel	119/19
4,161,924	7/1979	Wilker	119/19
4,802,443	2/1989	Denmark	119/19



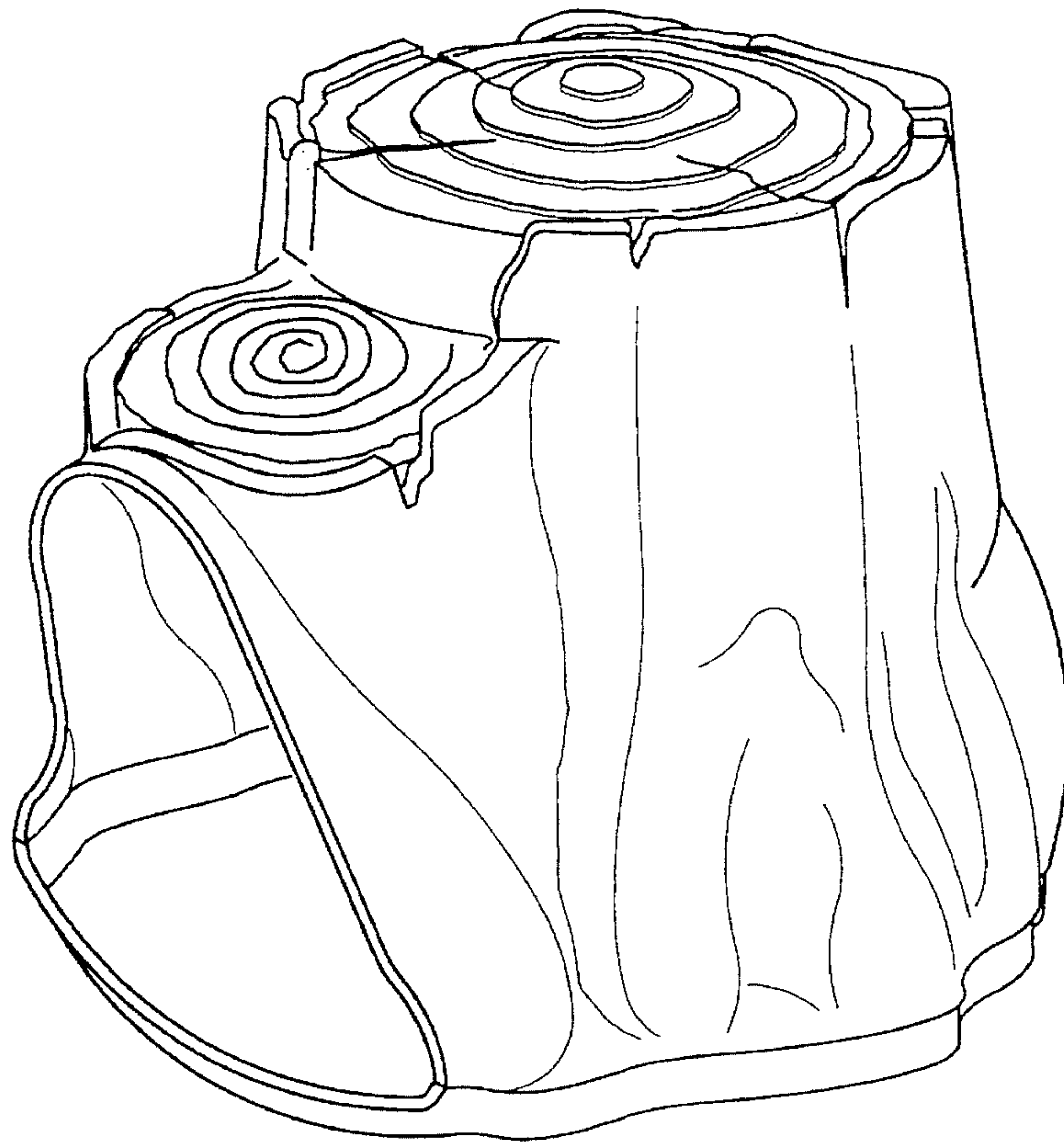


FIG. 1

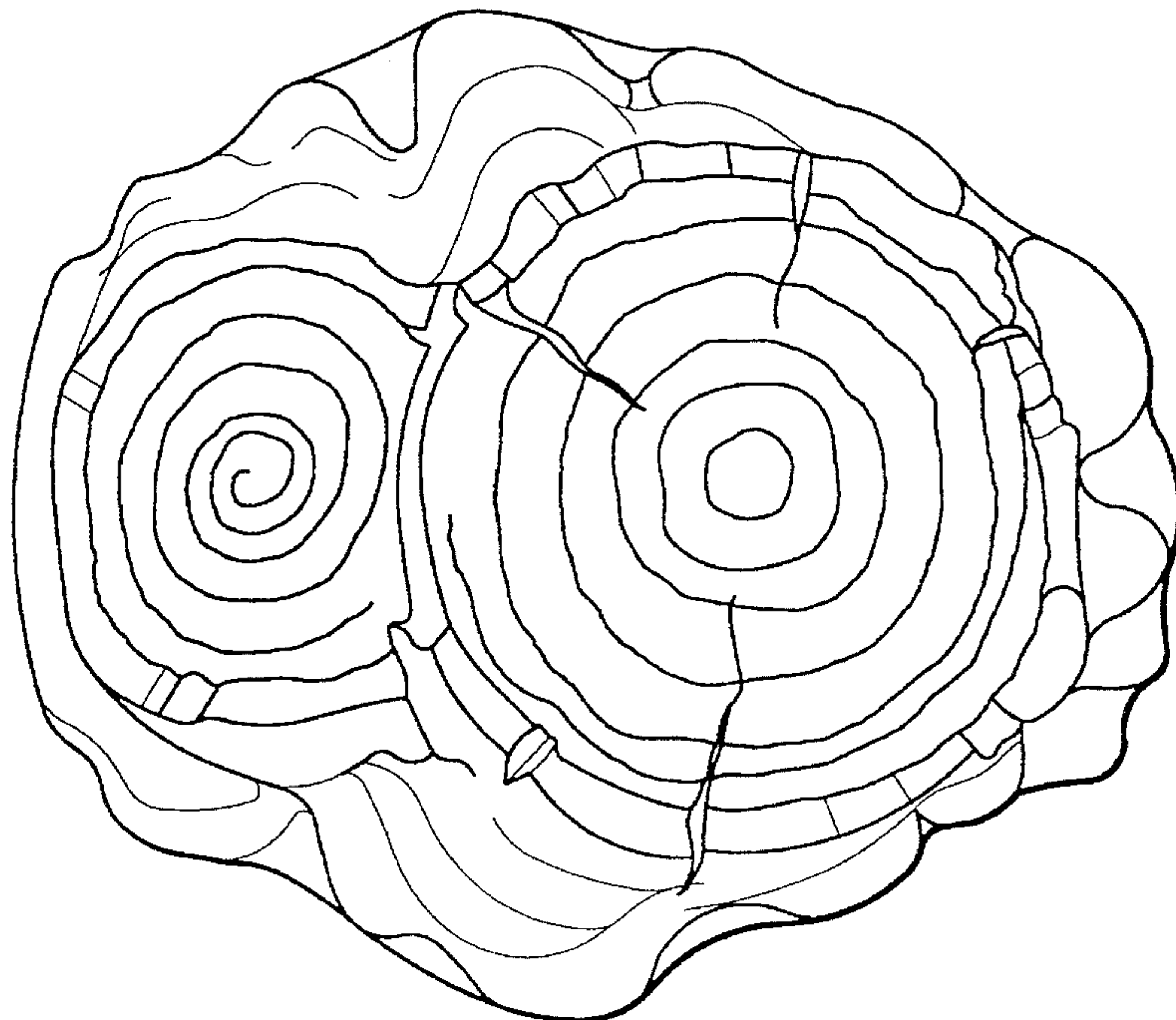


FIG. 2

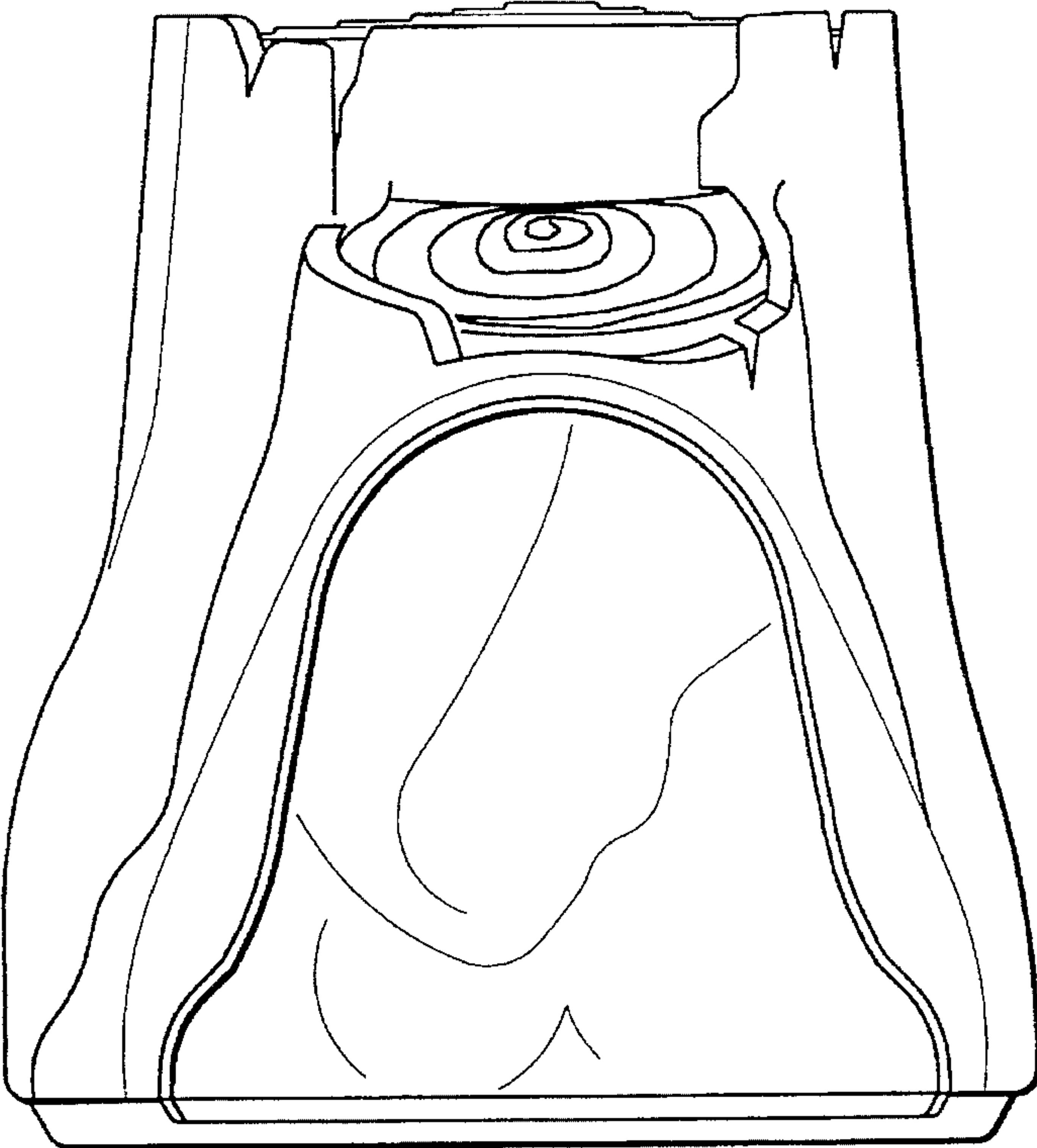


FIG. 3



FIG. 4

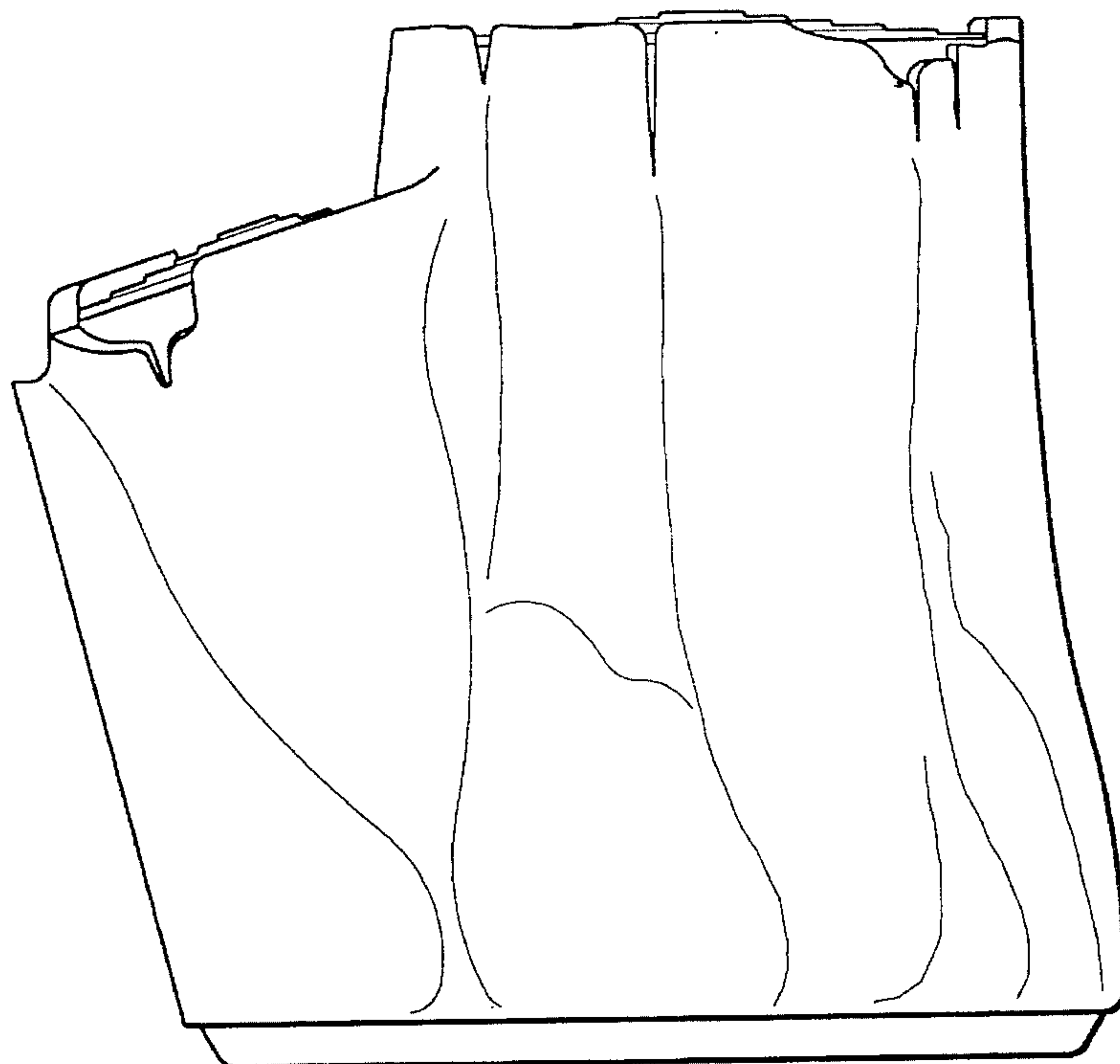


FIG. 5

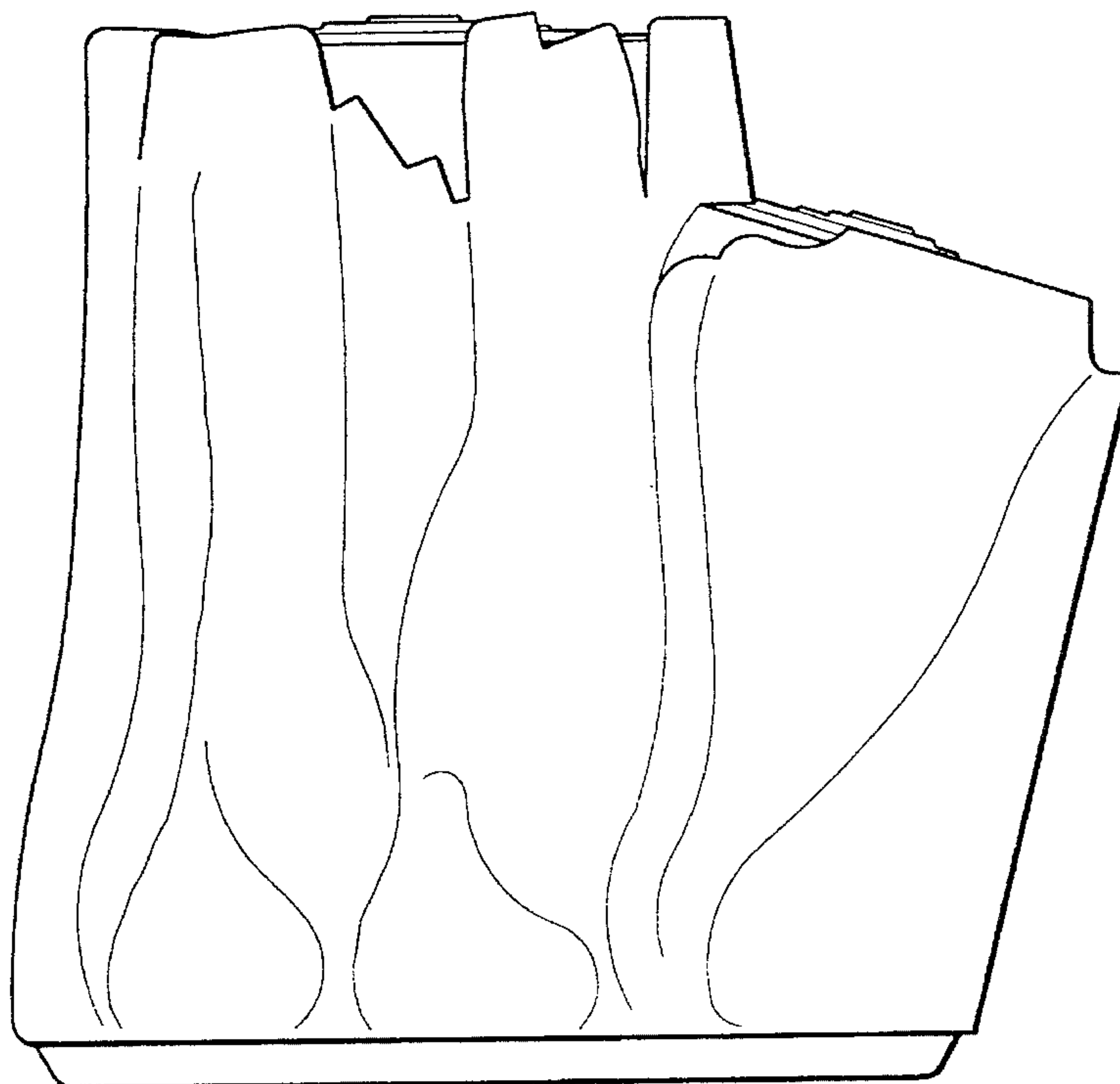


FIG. 6