



US00D366733S

**United States Patent** [19]  
**Stanchin**

[11] **Patent Number: Des. 366,733**

[45] **Date of Patent: \*\*Jan. 30, 1996**

[54] **HANDCUFF**

[76] **Inventor: Emery J. Stanchin**, 9617 Yarmouth Ct., Louisville, Ky. 40272

[\*\*] **Term: 14 Years**

[21] **Appl. No.: 26,479**

[22] **Filed: Jul. 29, 1994**

[52] **U.S. Cl. .... D29/120**

[58] **Field of Search .... D29/100, 113, D29/120; 2/16-17, 2, 338; 70/16, 14, 18; 128/876, 878, 879, 882; 54/34; 119/769, 770, 795, 797-798; 297/468; D30/151, 153-154; D2/627, 639; D8/394, 396; 24/16 PB, 484**

4,909,051 3/1990 Lee ..... 70/16  
 4,910,831 3/1990 Bingold ..... 128/878  
 4,964,419 10/1990 Karriker ..... 128/879  
 5,088,158 2/1992 Burkholder ..... 24/16 PB  
 5,159,728 11/1992 Bingold ..... 24/16 PB  
 5,193,254 3/1993 Geisinger ..... 24/484

*Primary Examiner*—Ruth McInroy  
*Attorney, Agent, or Firm*—Middleton & Reutlinger; David W. Carrithers

[57] **CLAIM**

The ornamental design for a handcuff, as shown and described.

**DESCRIPTION**

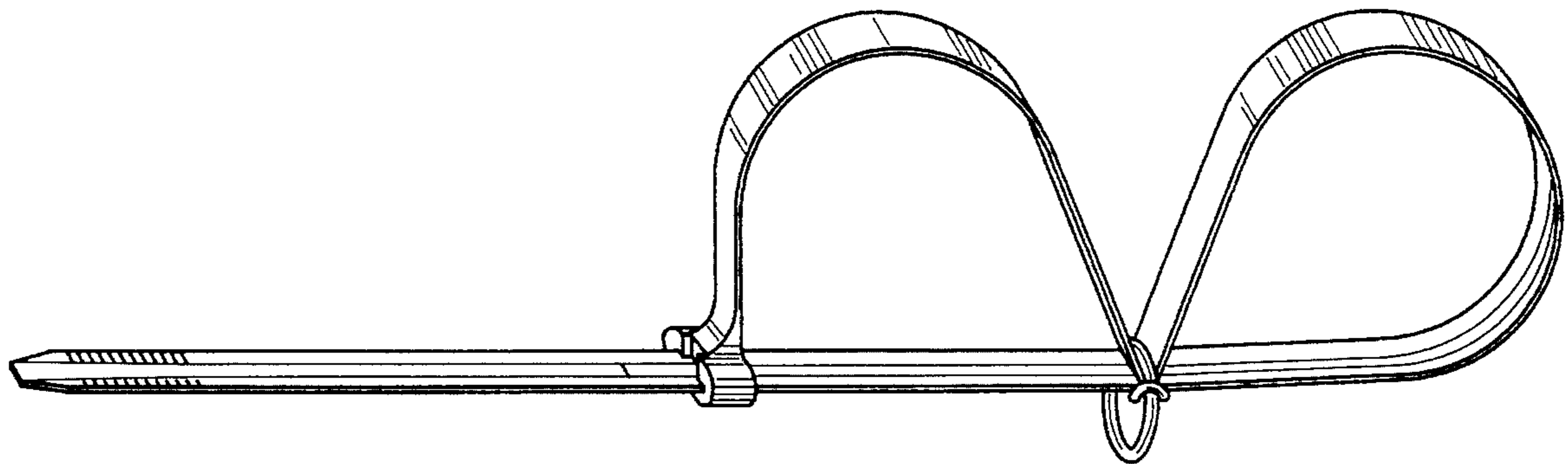
FIG. 1 is a perspective view of a handcuff showing my new design;  
 FIG. 2 is a elevational left end view thereof;  
 FIG. 3 is elevational right end view thereof;  
 FIG. 4 is top plan view thereof;  
 FIG. 5 is a front elevational view, the rear being a mirror image thereof; and,  
 FIG. 6 is a bottom plan view thereof.

**1 Claim, 2 Drawing Sheets**

[56] **References Cited**

**U.S. PATENT DOCUMENTS**

D. 224,960 10/1972 Wilson ..... D8/394  
 D. 276,570 12/1984 Black ..... D29/113  
 D. 313,547 1/1991 Buckles ..... D8/394  
 D. 347,156 5/1994 Starrett et al. .... D8/394  
 4,071,023 1/1978 Gregory ..... 128/878  
 4,654,138 8/1989 Charland ..... 70/16



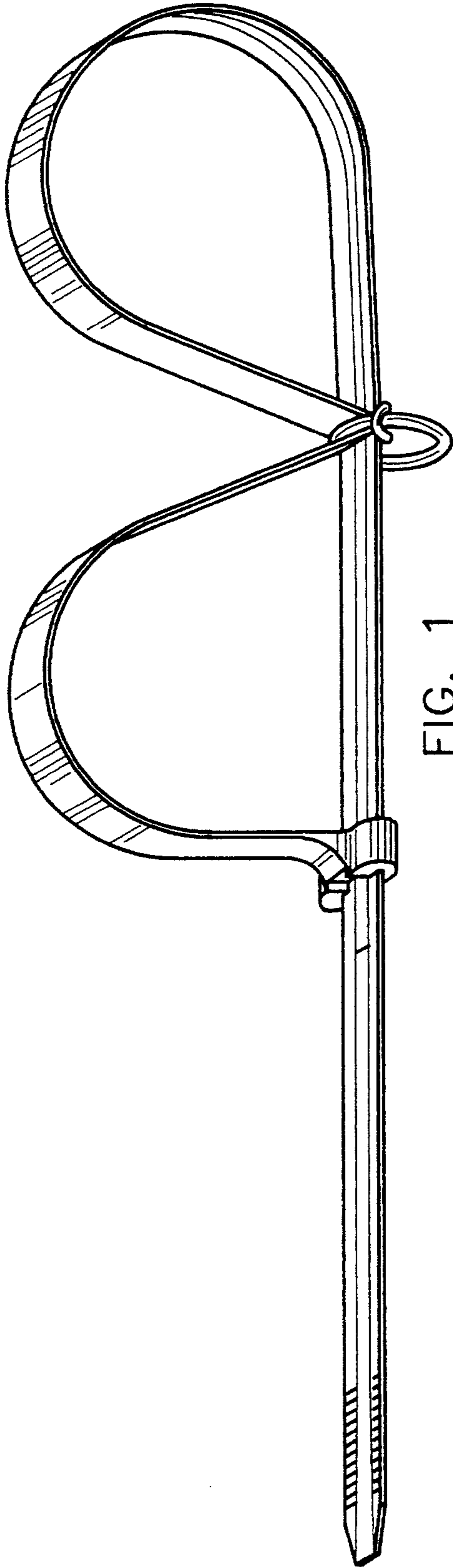


FIG. 1

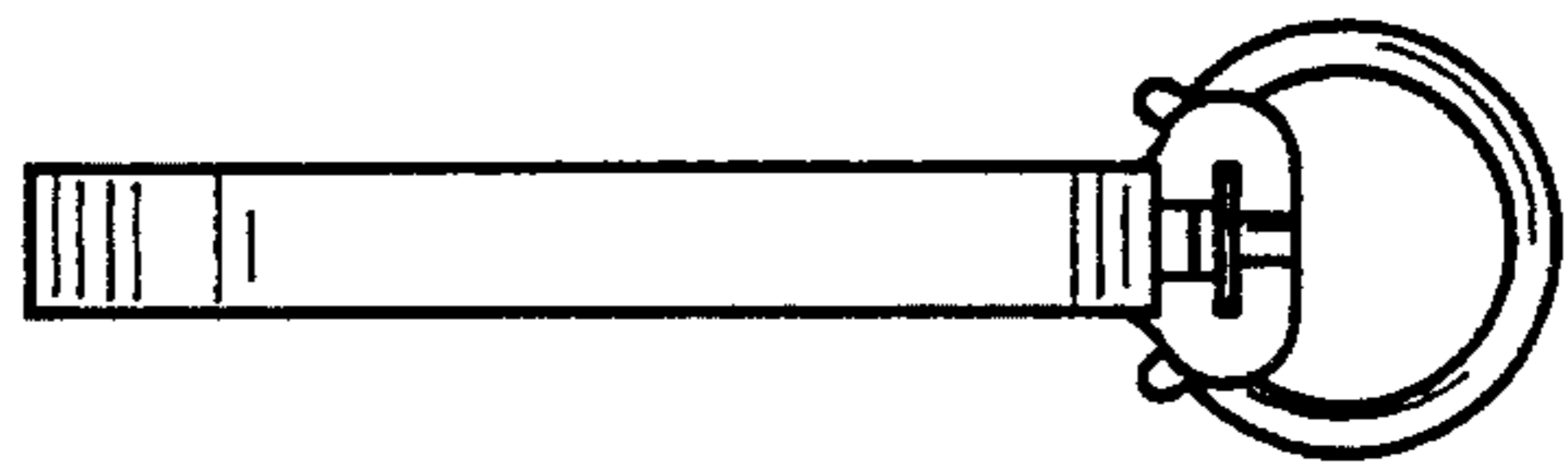


FIG. 2

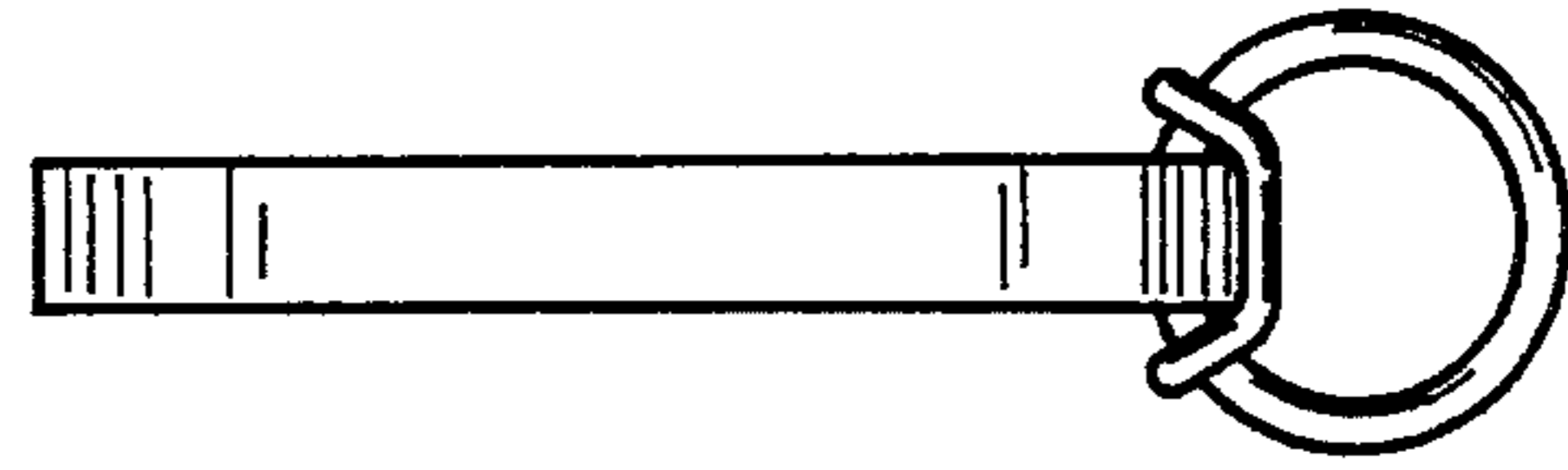


FIG. 3

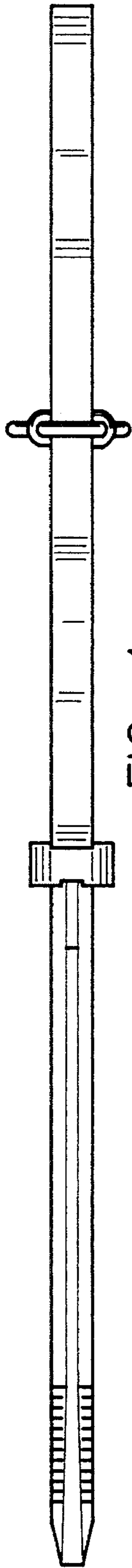


FIG. 4

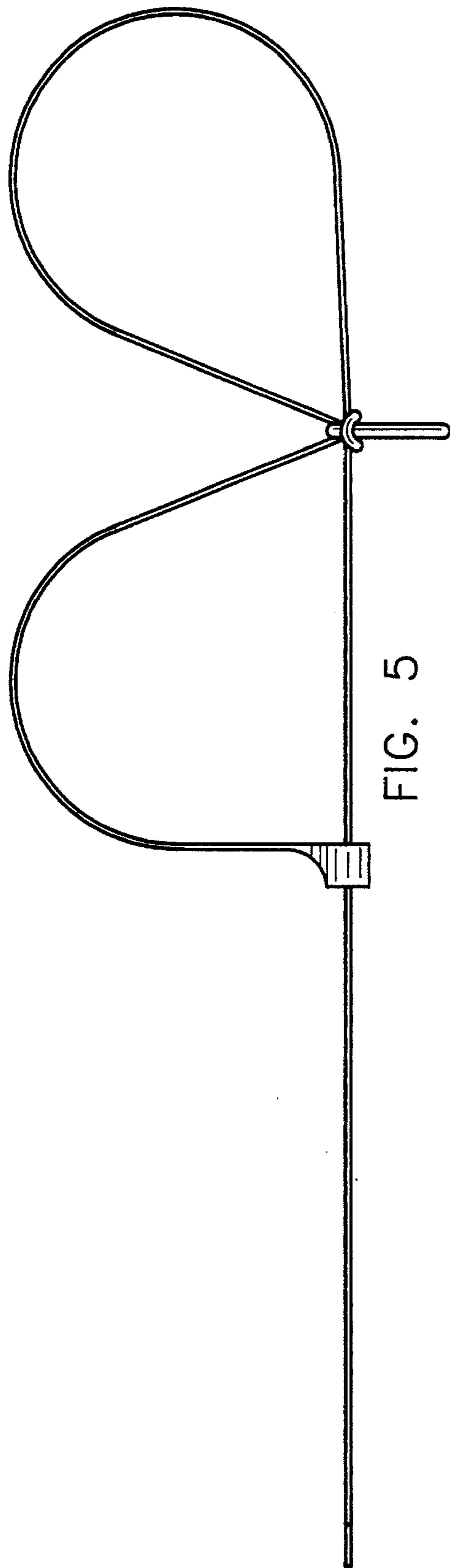


FIG. 5

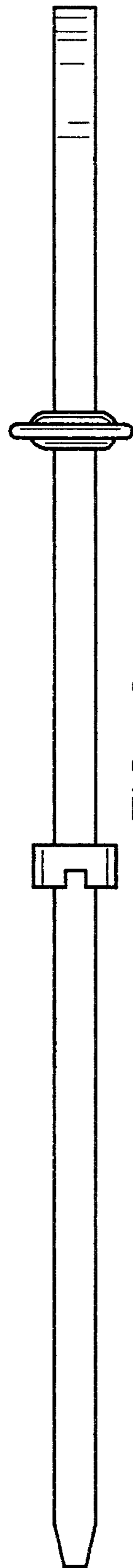


FIG. 6