



US00D366732S

# United States Patent [19]

Gregg et al.

[11] Patent Number: **Des. 366,732**

[45] Date of Patent: **\*\*Jan. 30, 1996**

[54] **PROTECTIVE HEAD GEAR**  
[76] Inventors: **Eugene S. Gregg**, 20 Sally Port Rd., Hilton Head Island; **Thomas Wood**, 100 Forest Garden, Hilton Head, both of S.C. 29928

[\*\*] Term: **14 Years**

[21] Appl. No.: **32,276**

[22] Filed: **Dec. 13, 1994**

[52] U.S. Cl. .... **D29/108**

[58] Field of Search ..... D29/102, 105-108, D29/111-112; 2/410-412, 414, 423-425, 9, 10

### [56] References Cited

#### U.S. PATENT DOCUMENTS

D. 330,271	10/1992	Samples	.....	D29/102
3,327,316	6/1967	Pukish, Jr.	.....	D29/112
3,628,191	12/1971	Douglas	.....	D29/106
3,953,892	5/1976	Kennedy et al.	.....	2/425

4,062,067	12/1977	Franzen	.....	2/410
4,612,672	9/1986	Schrack	.....	D29/105
4,675,919	6/1987	Heine et al.	.....	2/410
4,736,469	4/1988	Boretti	.....	D29/102
4,766,610	8/1988	Mattes	.....	2/414

Primary Examiner—Ruth McInroy  
Attorney, Agent, or Firm—H. Jay Spiegel

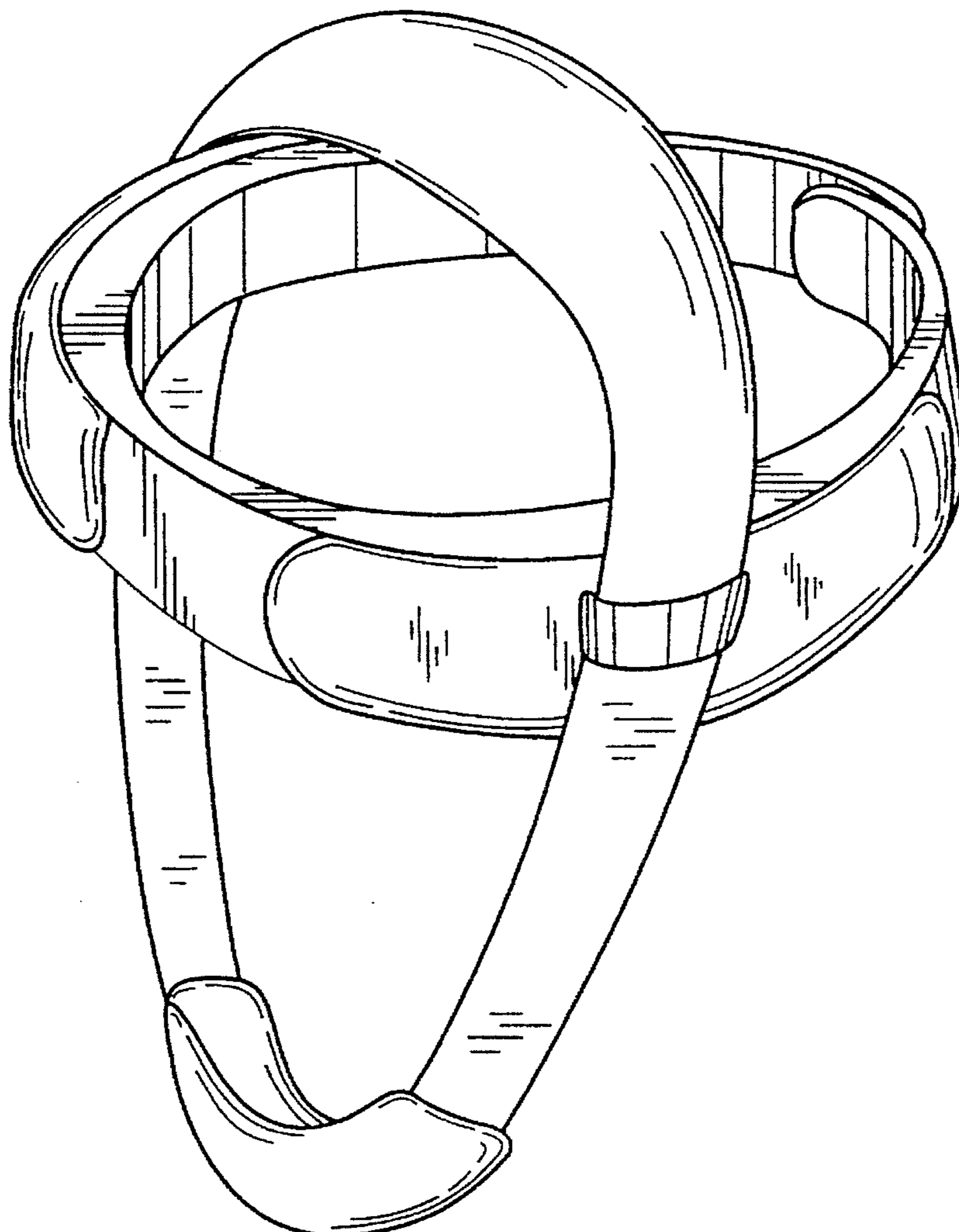
### [57] CLAIM

The ornamental design for protective head gear, as shown and described.

### DESCRIPTION

FIG. 1 is a perspective view of a protective head gear showing our new design;  
FIG. 2 is a front elevational view thereof;  
FIG. 3 is a rear elevational view thereof;  
FIG. 4 is a left side elevational view thereof;  
FIG. 5 is a right side elevational view thereof;  
FIG. 6 is a top plan view thereof; and,  
FIG. 7 is a bottom plan view thereof.

**1 Claim, 4 Drawing Sheets**



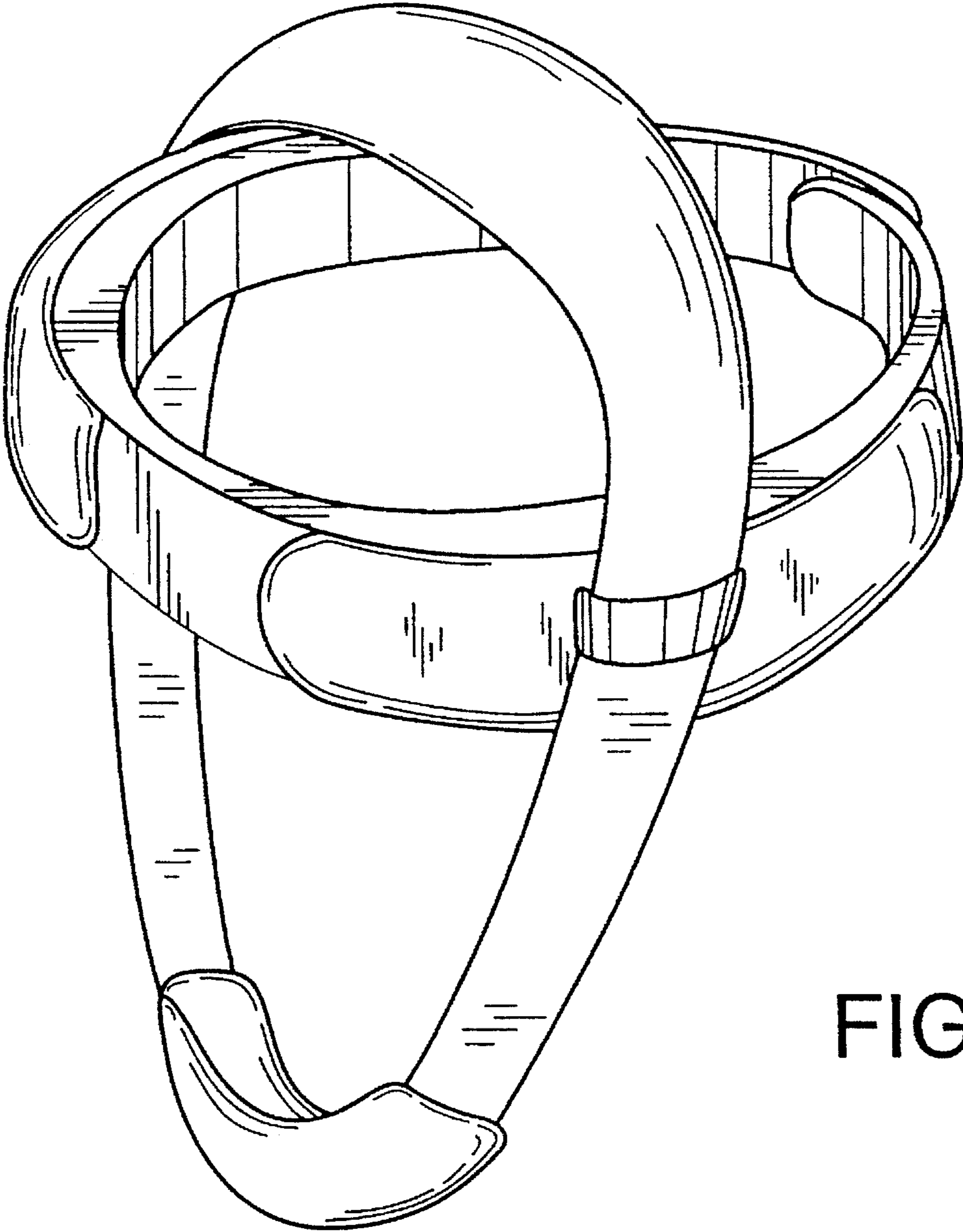


FIG. 1

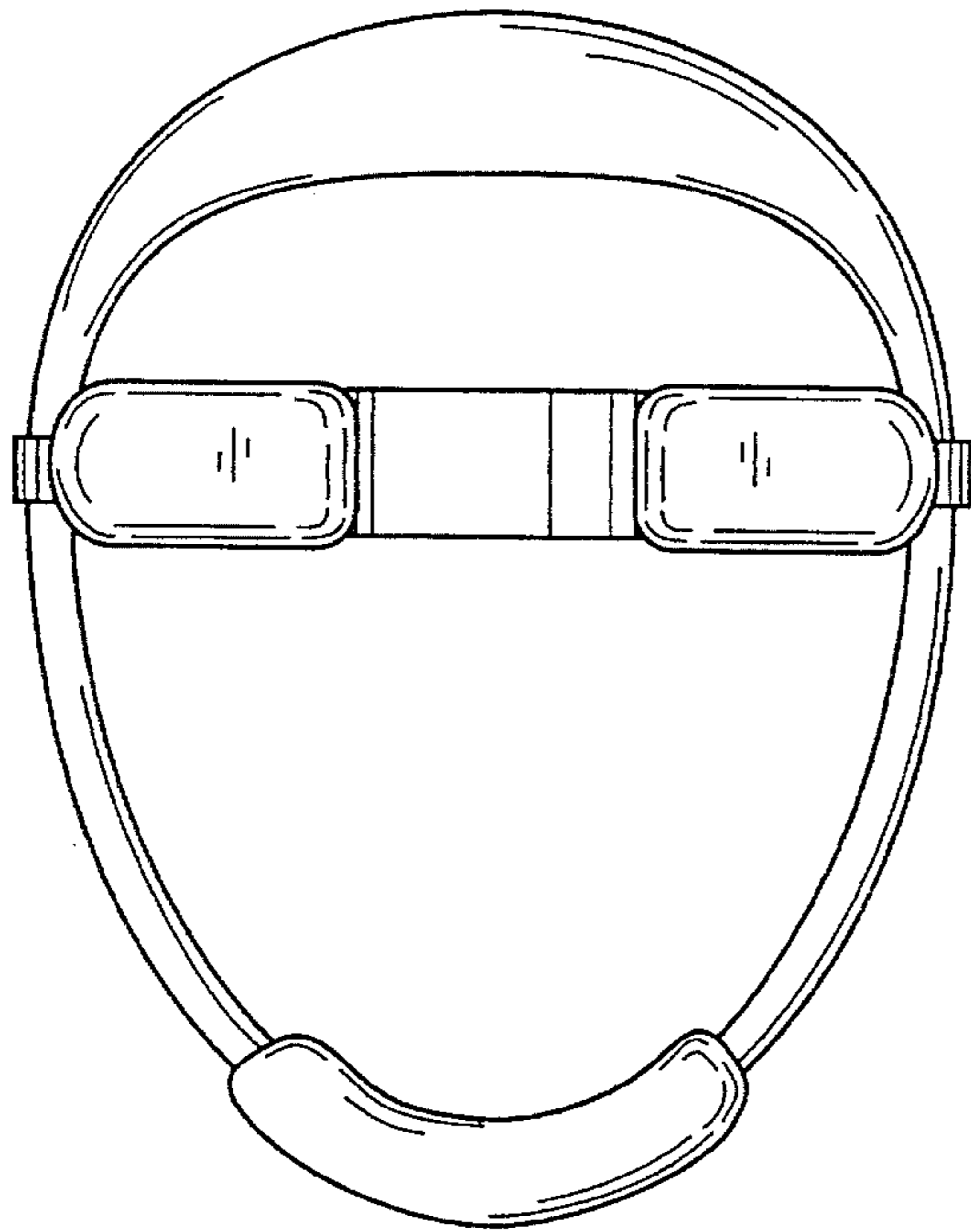


FIG. 2

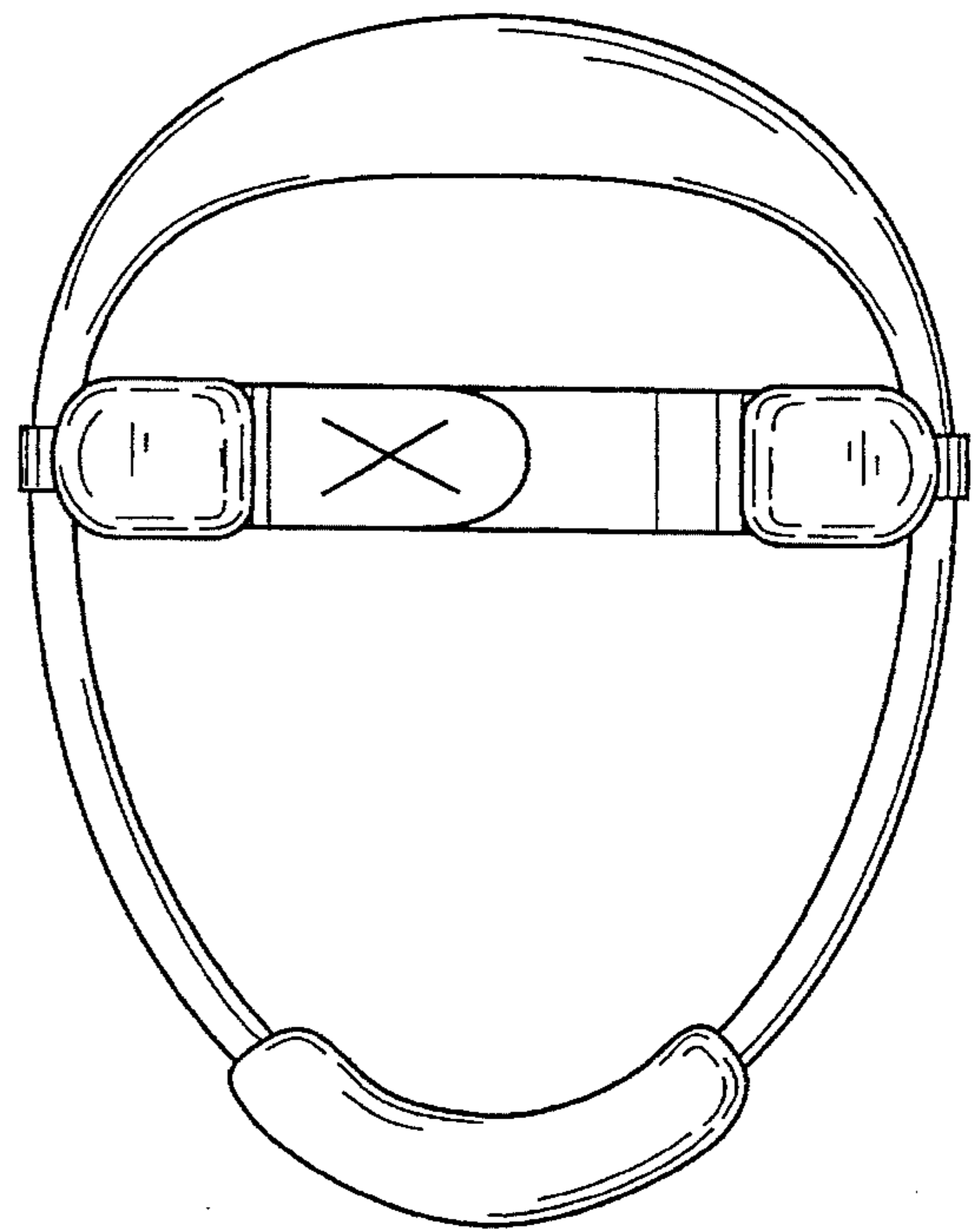


FIG. 3

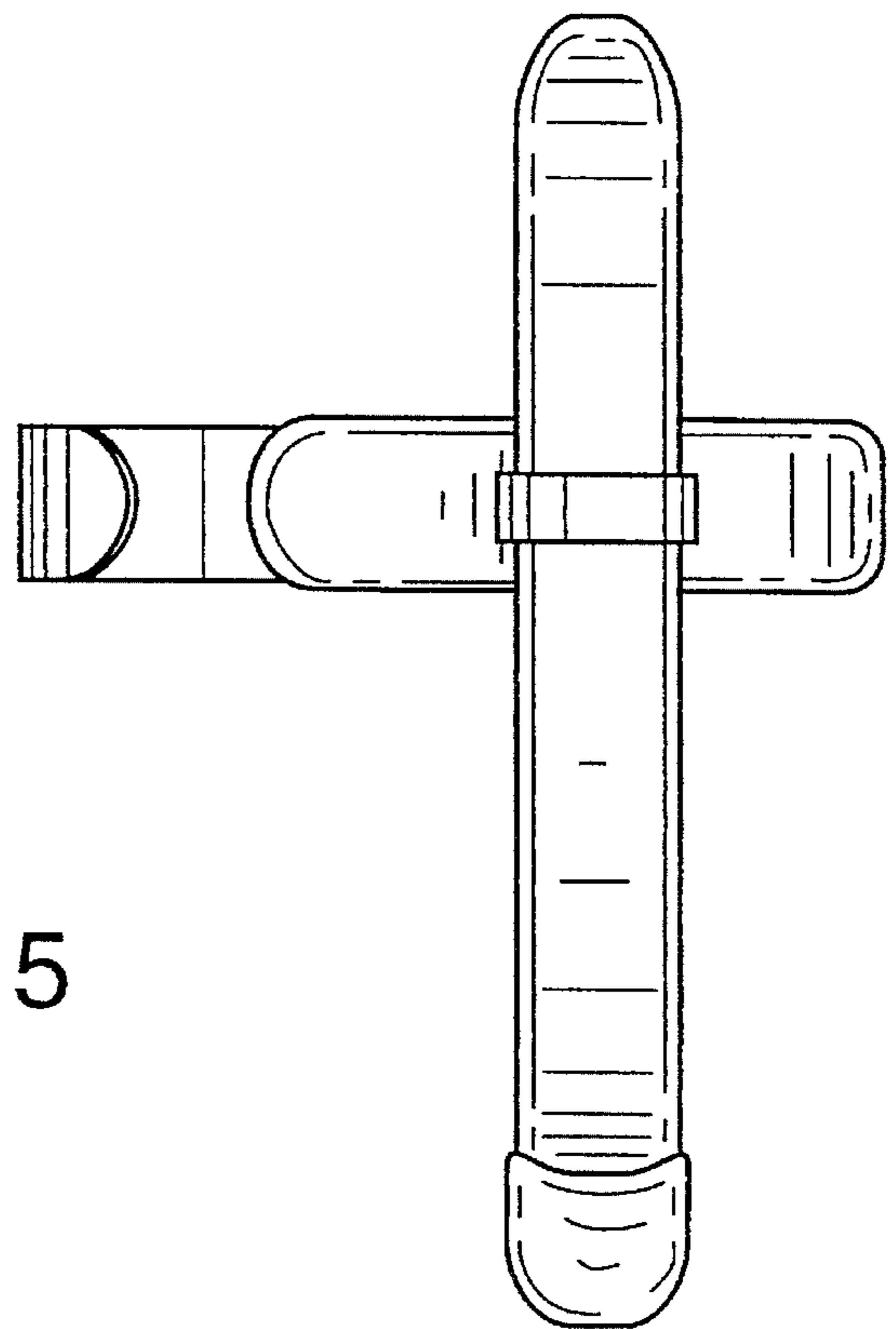
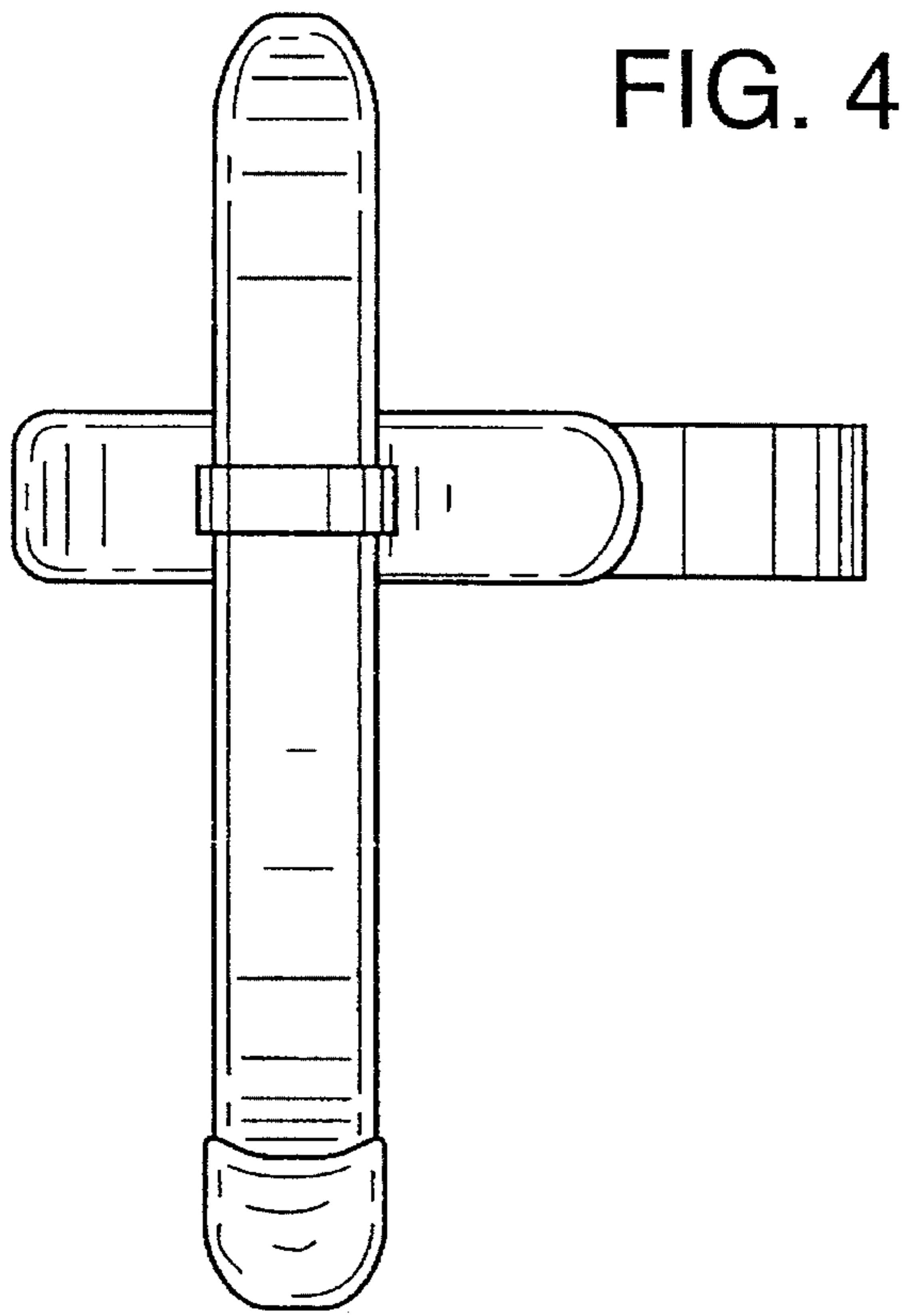


FIG. 6

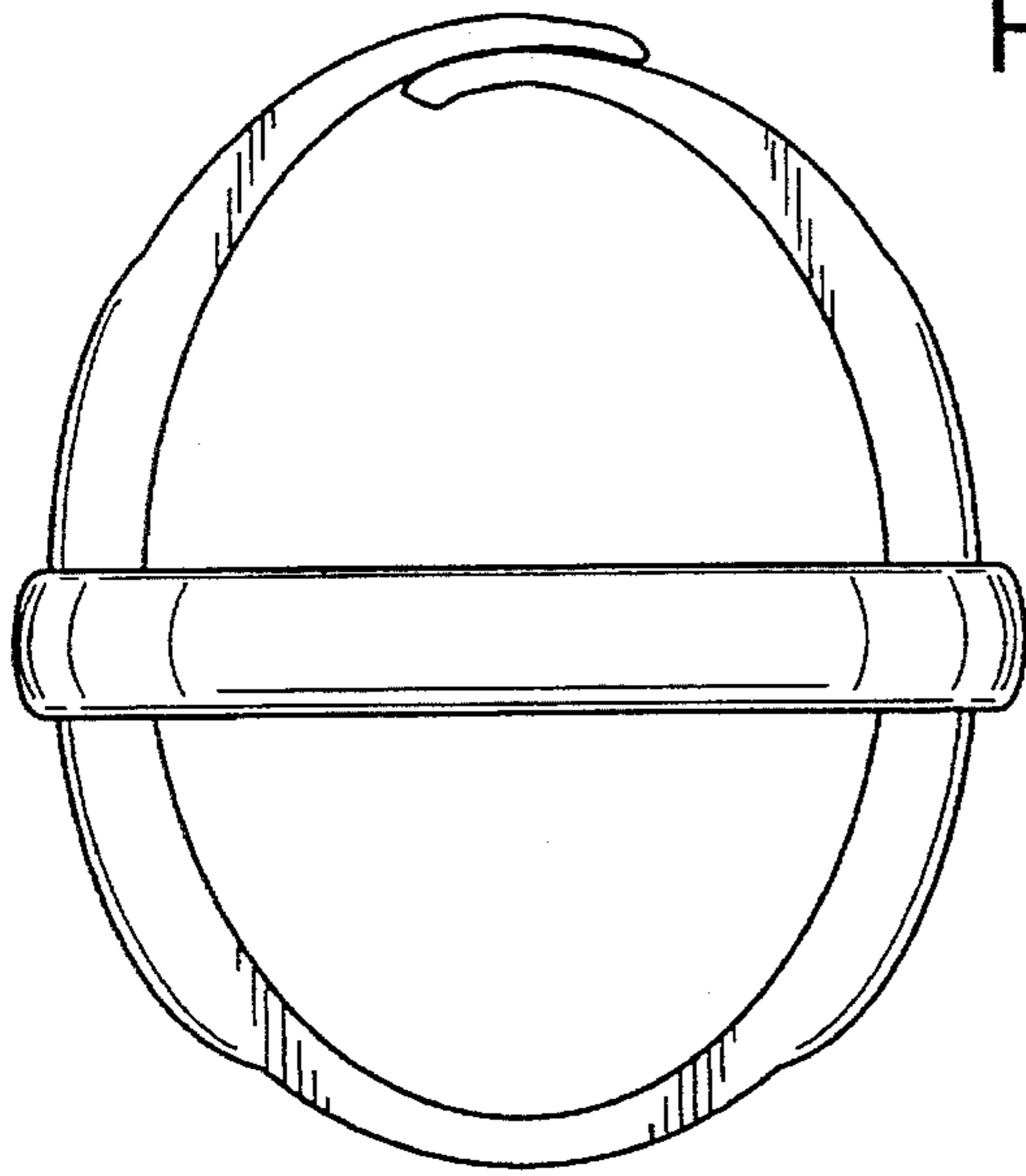


FIG. 7

