



US00D366730S

# United States Patent [19] Chen

[11] Patent Number: **Des. 366,730**

[45] Date of Patent: **\*\*Jan. 30, 1996**

- [54] LIPSTICK KIT
- [75] Inventor: **Ching-Chun Chen**, Taichung Hsien, Taiwan
- [73] Assignee: **Fang Sheng Plastics Co., Ltd.**, Taichung Hsien, Taiwan
- [\*\*] Term: **14 Years**
- [21] Appl. No.: **24,132**
- [22] Filed: **Jun. 9, 1994**
- [52] U.S. Cl. .... **D28/86; D28/87; D9/341; D9/314**
- [58] Field of Search ..... D28/77, 80, 85-89; D9/314, 337, 338, 341, 517; 132/317, 318; 206/385, 581, 431, 504; 220/23.2, 23.6; 401/35, 48, 88, 98

- D. 335,936 5/1993 Lou ..... D28/86
- 2,784,721 3/1957 Davis ..... D28/87
- 4,194,619 3/1980 Schley ..... 220/23.4 X
- 5,007,540 4/1991 Beasley et al. .... 206/504 X

*Primary Examiner*—Ted Shooman  
*Assistant Examiner*—C. Tuttle  
*Attorney, Agent, or Firm*—Skjerven, Morrill, MacPherson, Franklin & Friel

### [57] CLAIM

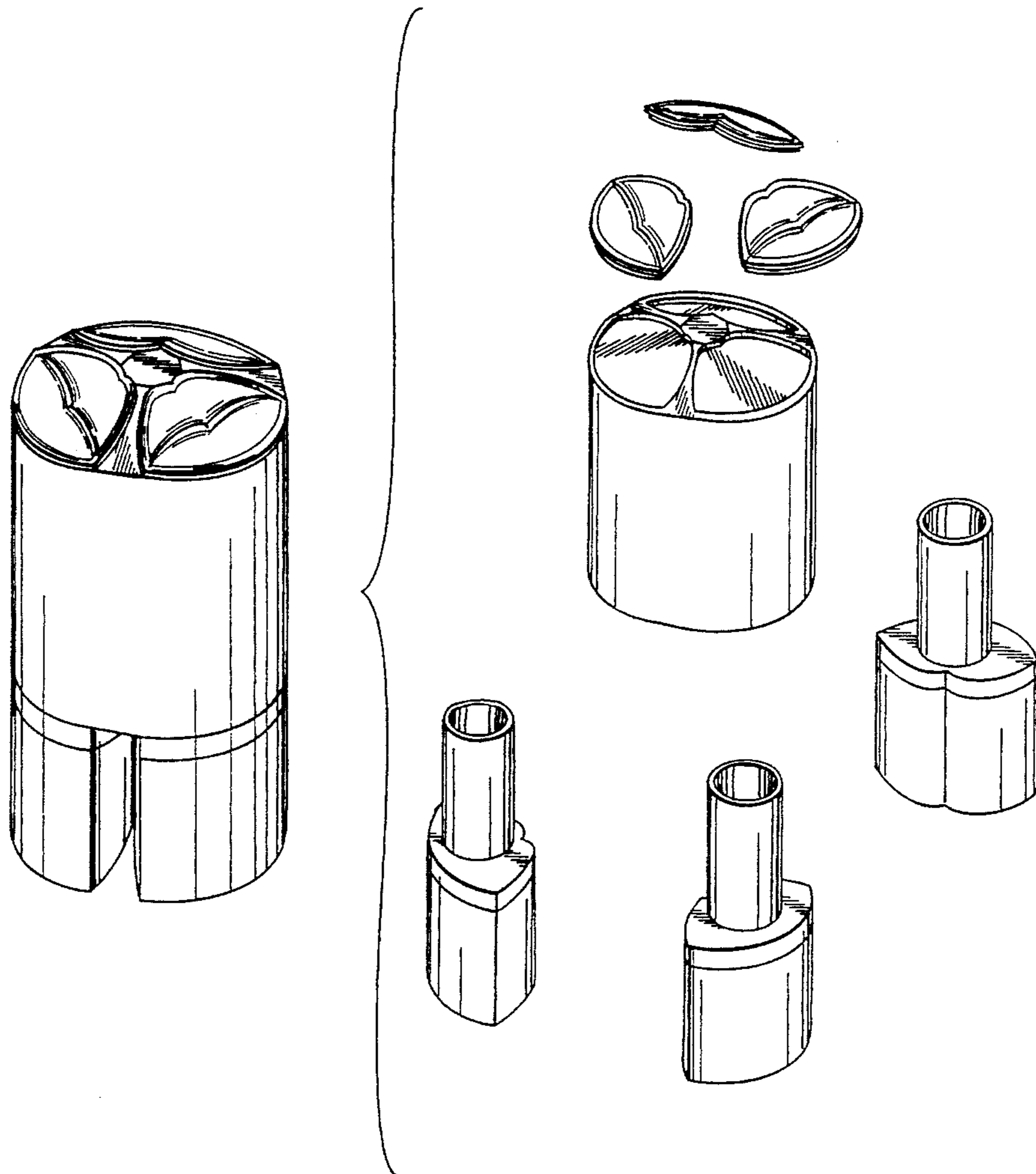
The ornamental design for a lipstick kit, as shown and described.

### DESCRIPTION

FIG. 1 is a perspective view of a lipstick kit showing my new design;  
 FIG. 2 is a front elevational view thereof;  
 FIG. 3 is a rear elevational view thereof;  
 FIG. 4 is a left side elevational view thereof;  
 FIG. 5 is a right side elevational view thereof;  
 FIG. 6 is a top plan view thereof;  
 FIG. 7 is a bottom plan view thereof; and,  
 FIG. 8 is an exploded perspective view thereof.

- [56] **References Cited**
- U.S. PATENT DOCUMENTS
- D. 240,769 7/1976 Bowman ..... D28/9
- D. 320,288 9/1991 Chen ..... D28/87
- D. 332,326 1/1993 Chen ..... D28/87

**1 Claim, 4 Drawing Sheets**



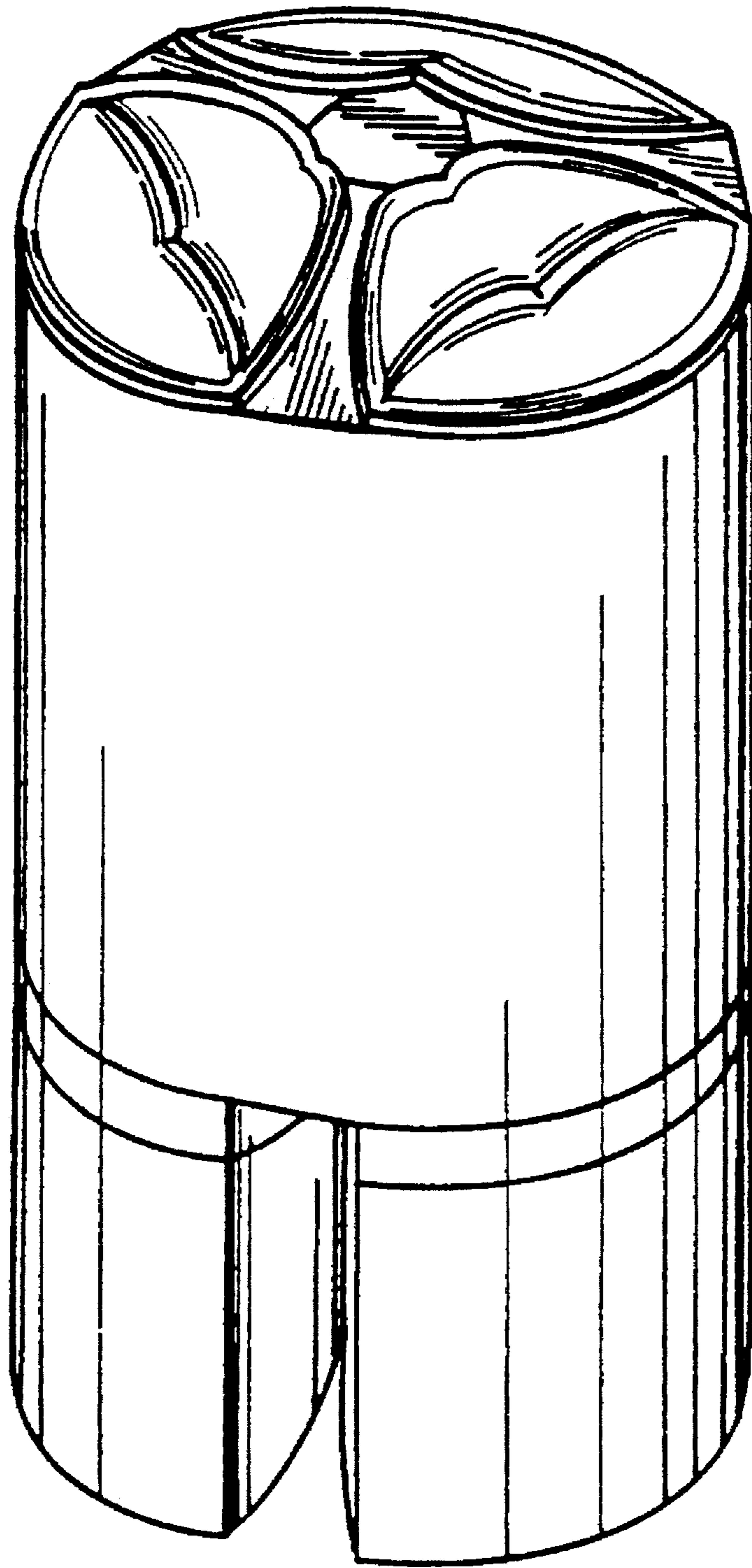


FIG. 1

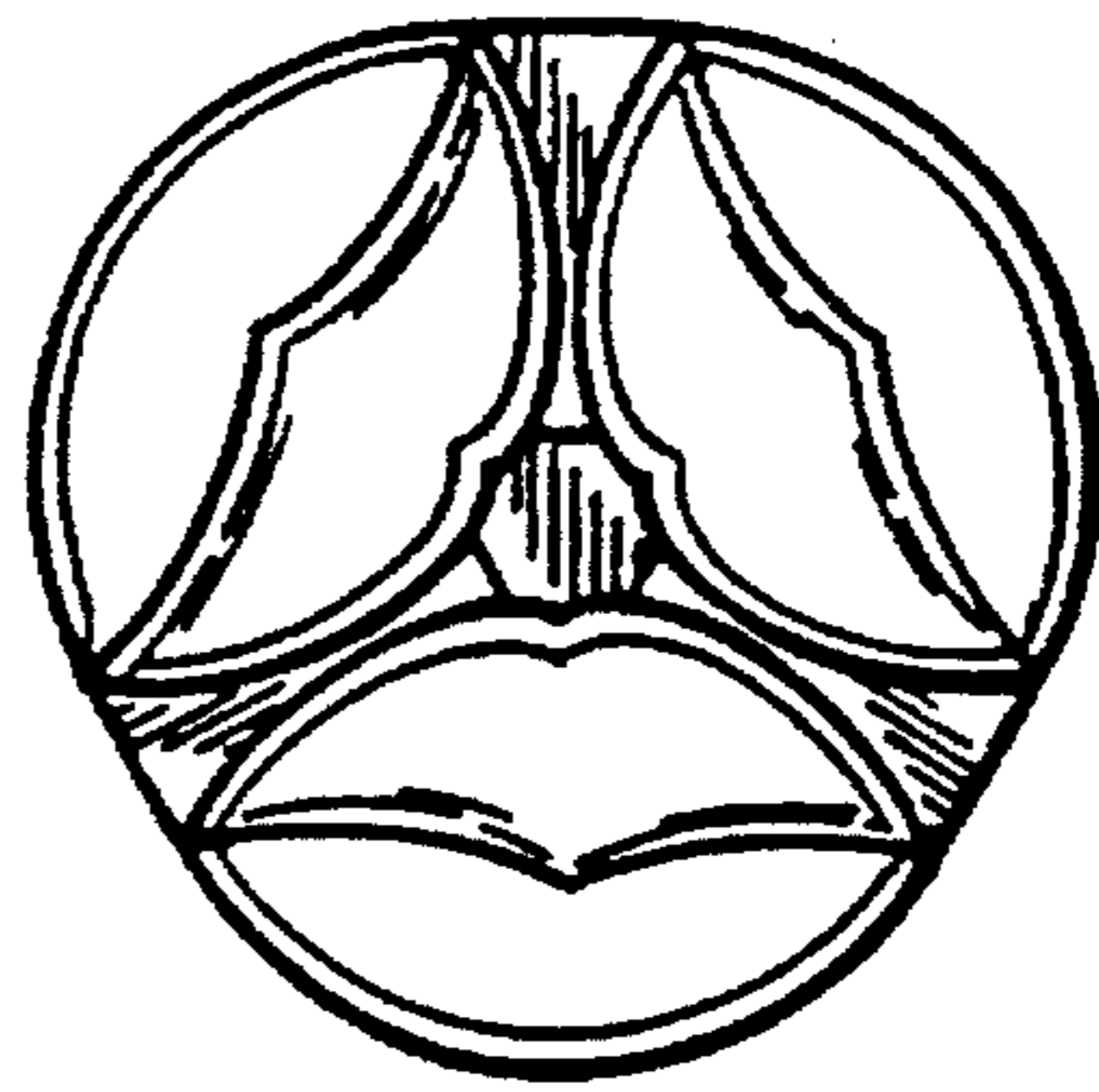


FIG. 6

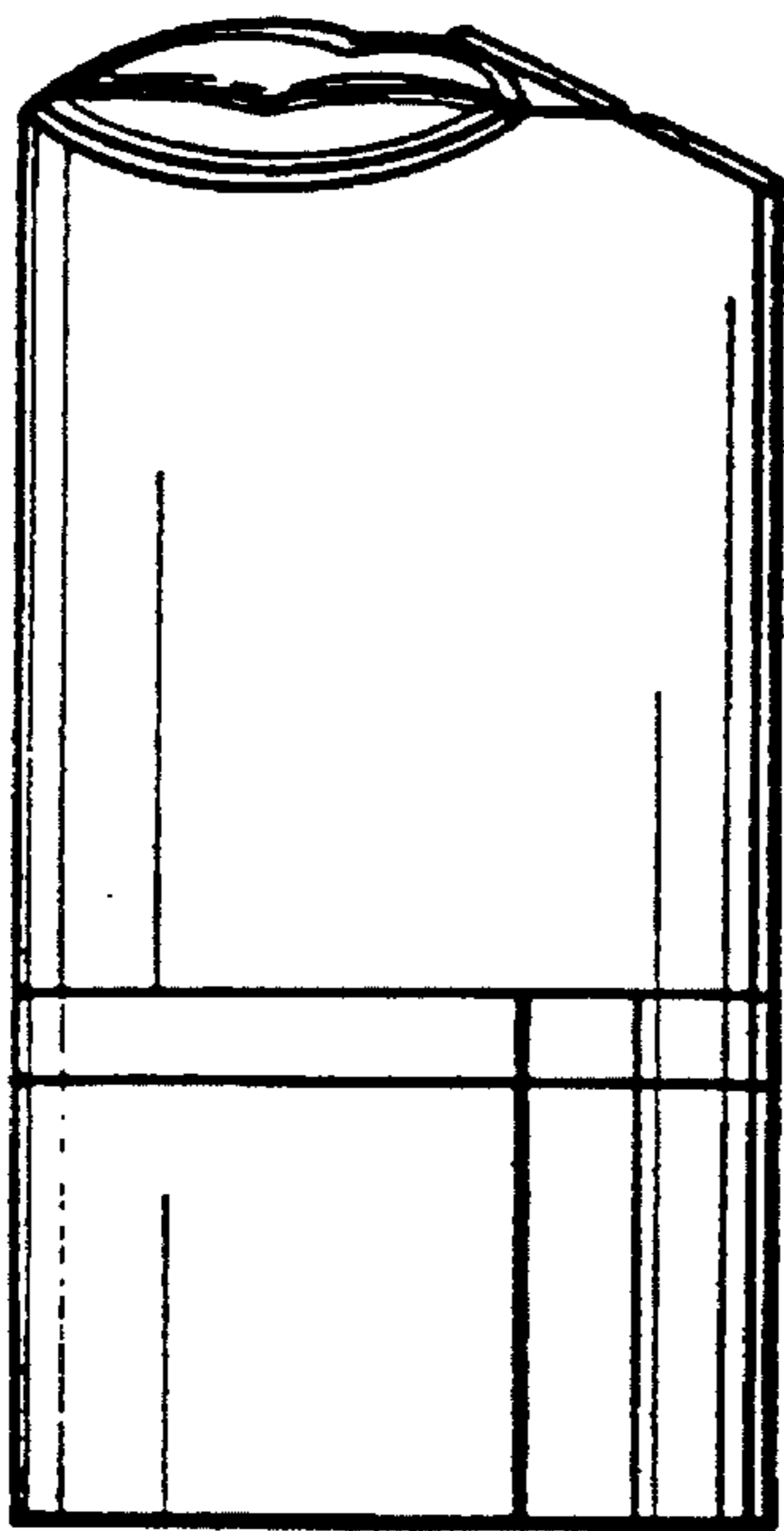


FIG. 4

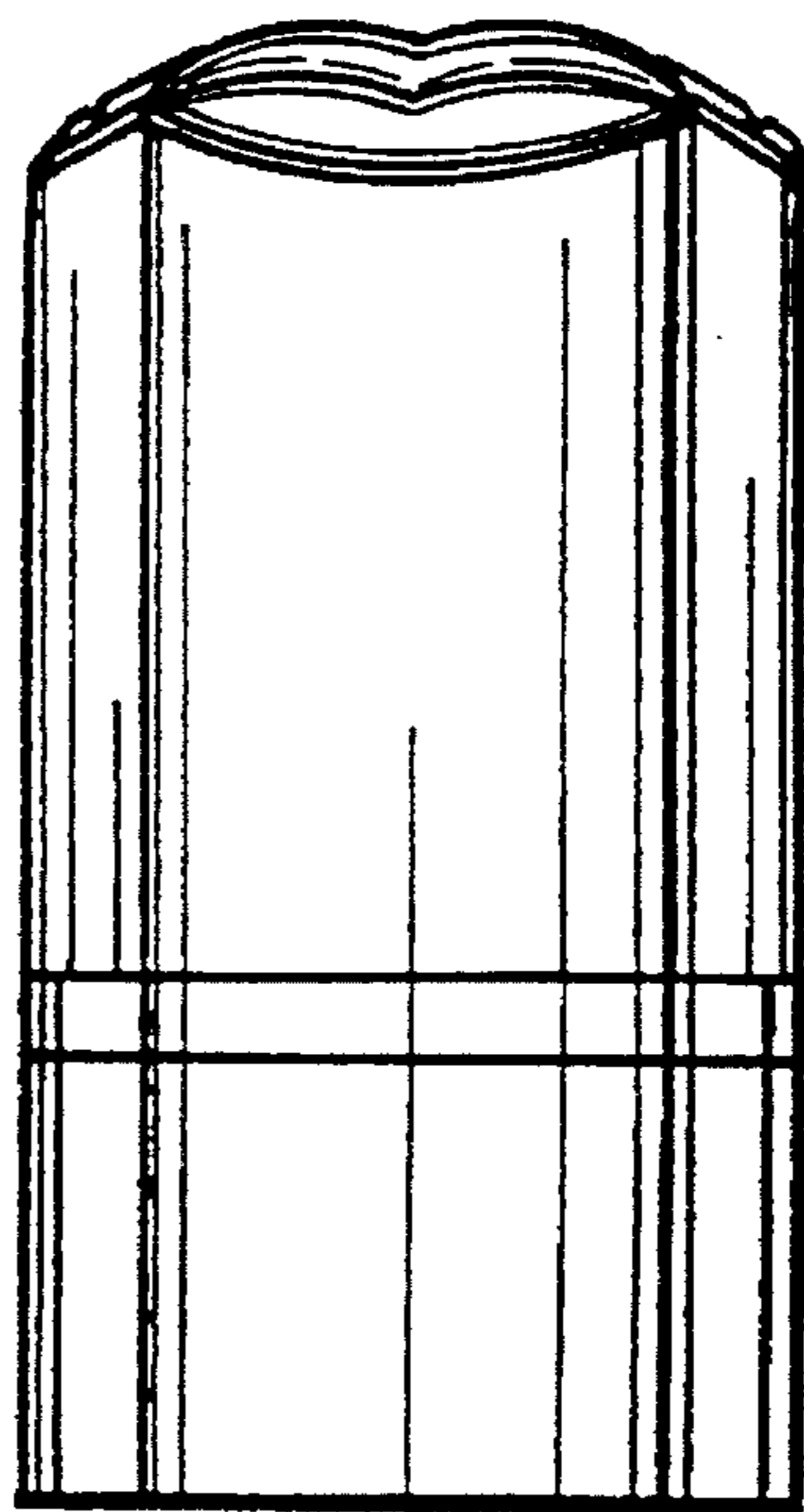


FIG. 2

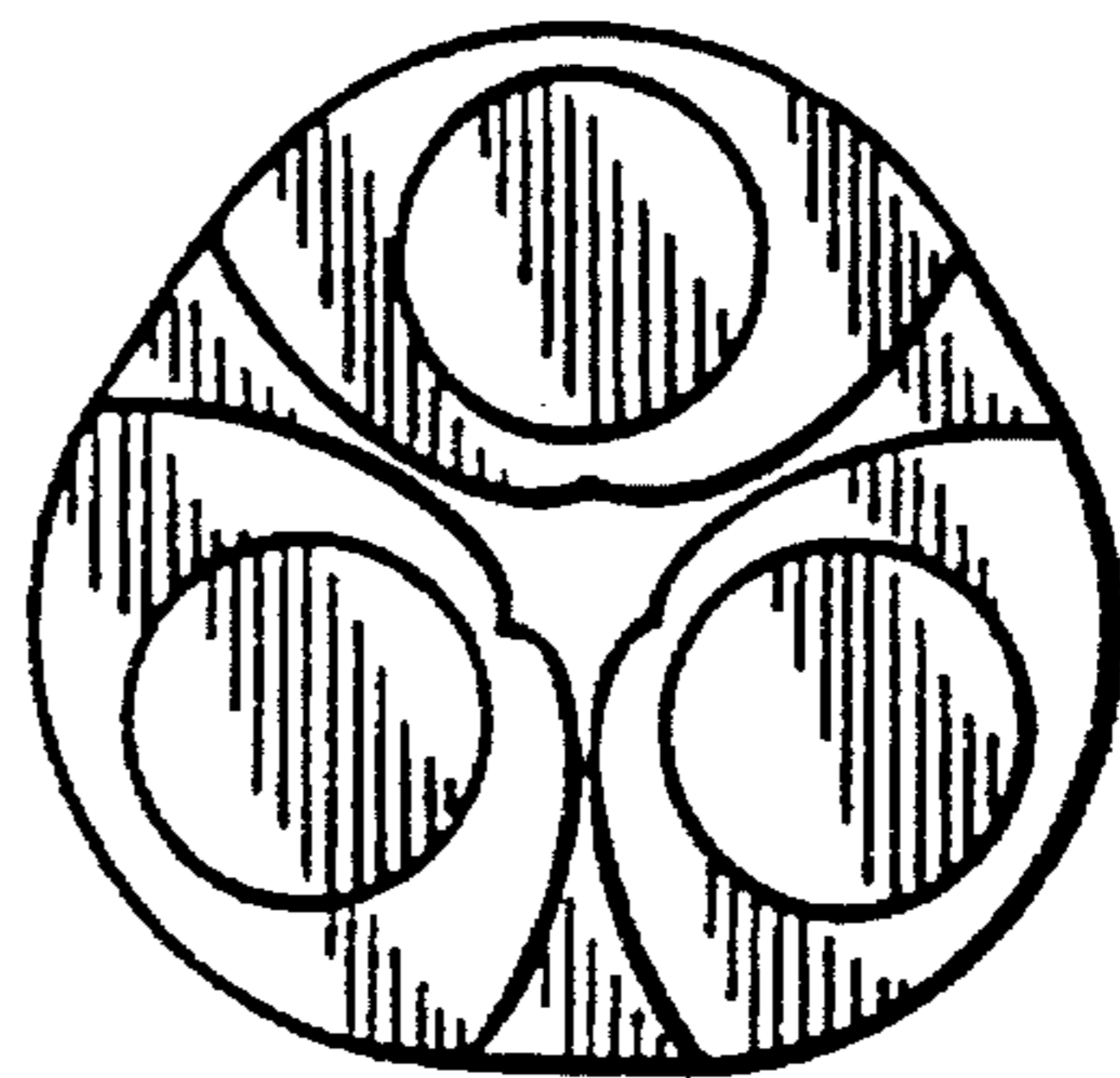


FIG. 7

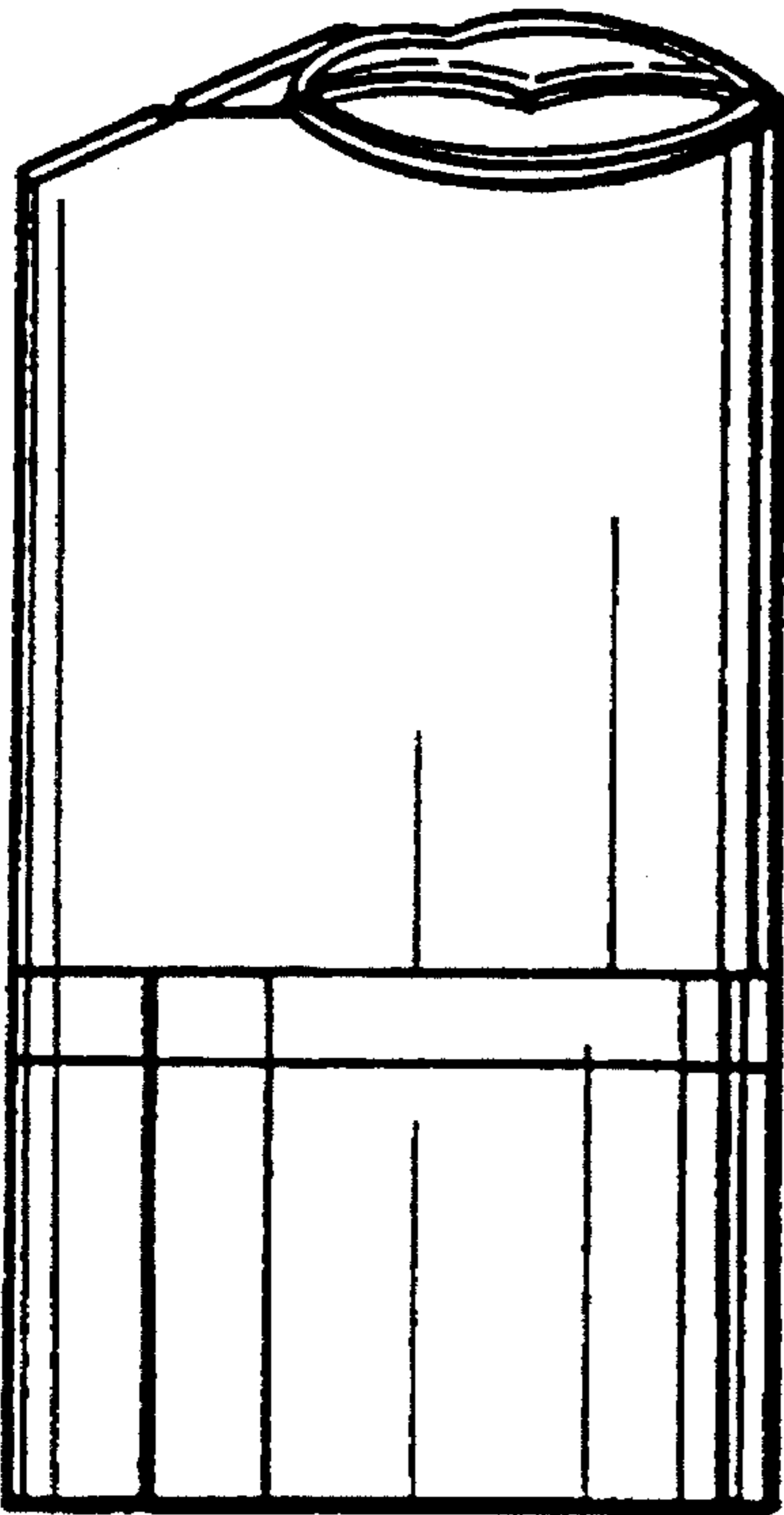


FIG. 5

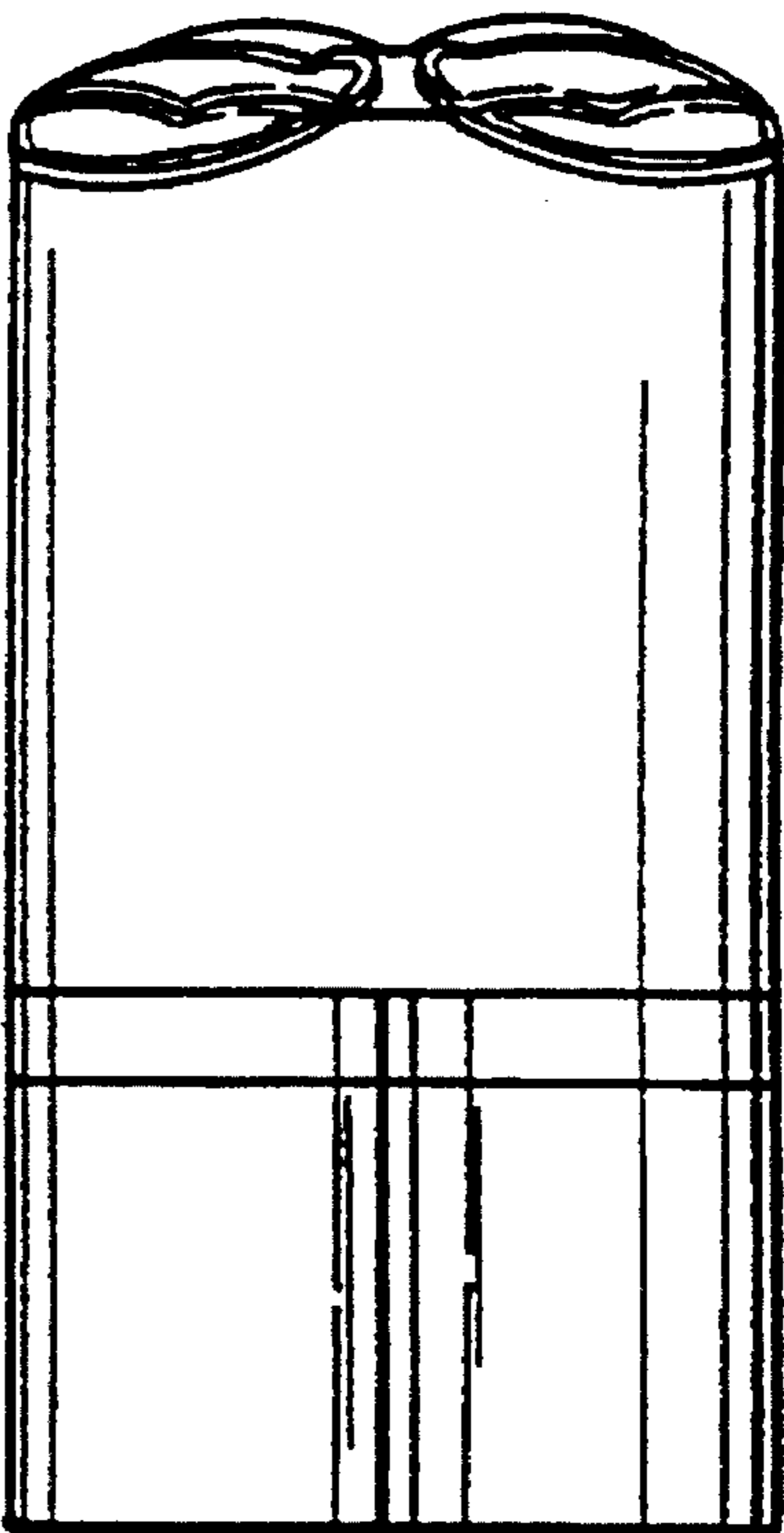


FIG. 3

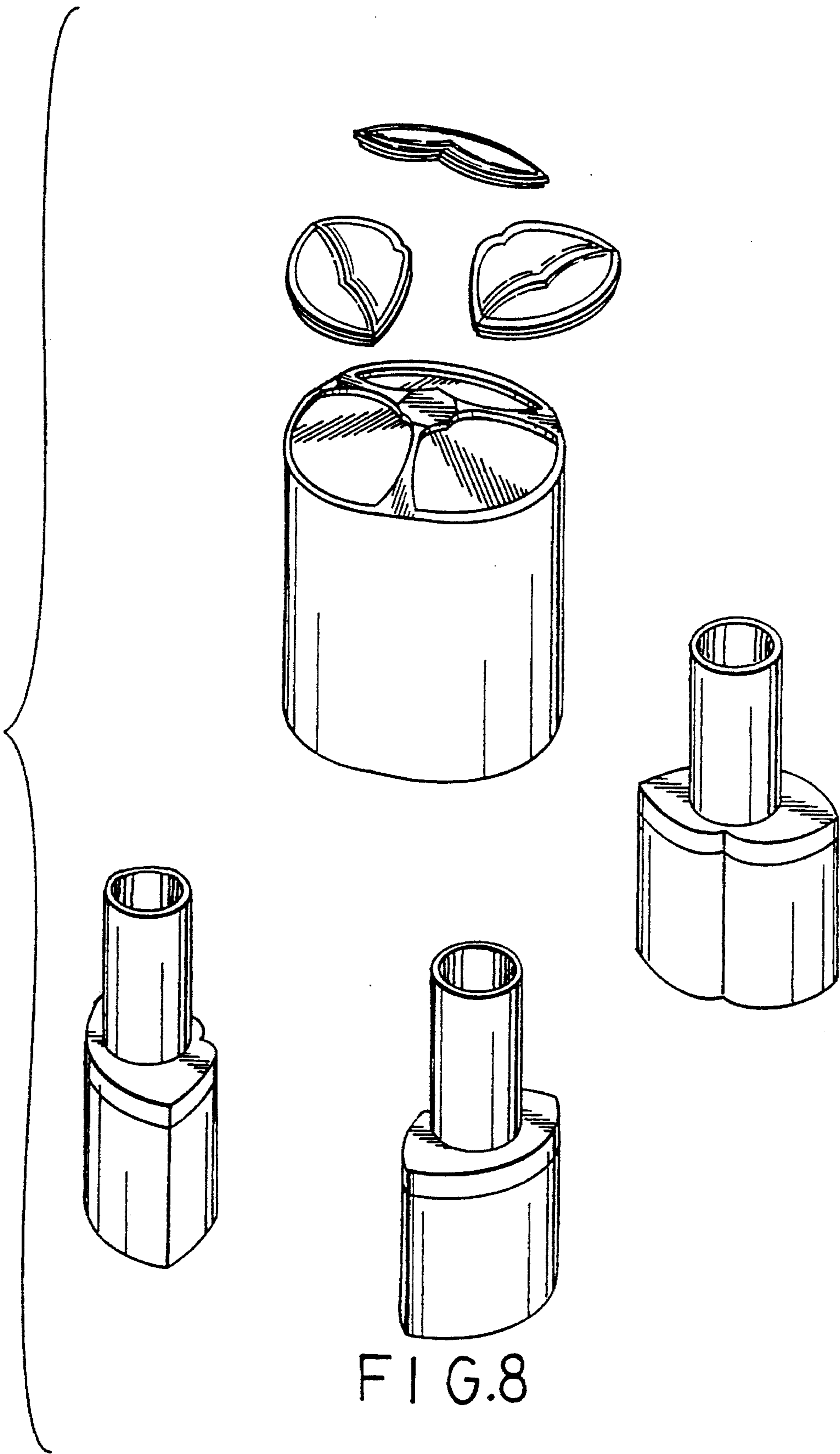


FIG. 8