



US00D366719S

United States Patent [19]

Porter

[11] Patent Number: **Des. 366,719**

[45] Date of Patent: ****Jan. 30, 1996**

[54] TABLE LAMP BASE

[75] Inventor: **David H. Porter**, Chagrin Falls, Ohio
[73] Assignee: **The L.D. Kichler Co.**, Cleveland, Ohio
[**] Term: **14 Years**

[21] Appl. No.: **29,415**
[22] Filed: **Oct. 11, 1994**
[52] U.S. Cl. **D26/93**
[58] Field of Search D26/93, 94, 95,
D26/96, 101, 104, 105, 106, 107, 108,
109, 110, 111, 112; 362/410, 411, 412,
413, 414, 431

[56] References Cited

U.S. PATENT DOCUMENTS

D. 84,077 5/1931 Graff D26/104
D. 149,871 6/1948 Harker D26/101
252,364 1/1882 Farmer 362/414

OTHER PUBLICATIONS

Minoff 1094 catalog entitled "Made by Hand for the Heart", cover & title pages and pp. 59-60, showing Lamps 50-340 and 50-341.

Primary Examiner—A. Hugo Word
Assistant Examiner—Cynthia E. Ramirez
Attorney, Agent, or Firm—Watts, Hoffmann, Fisher & Heinke

[57] CLAIM

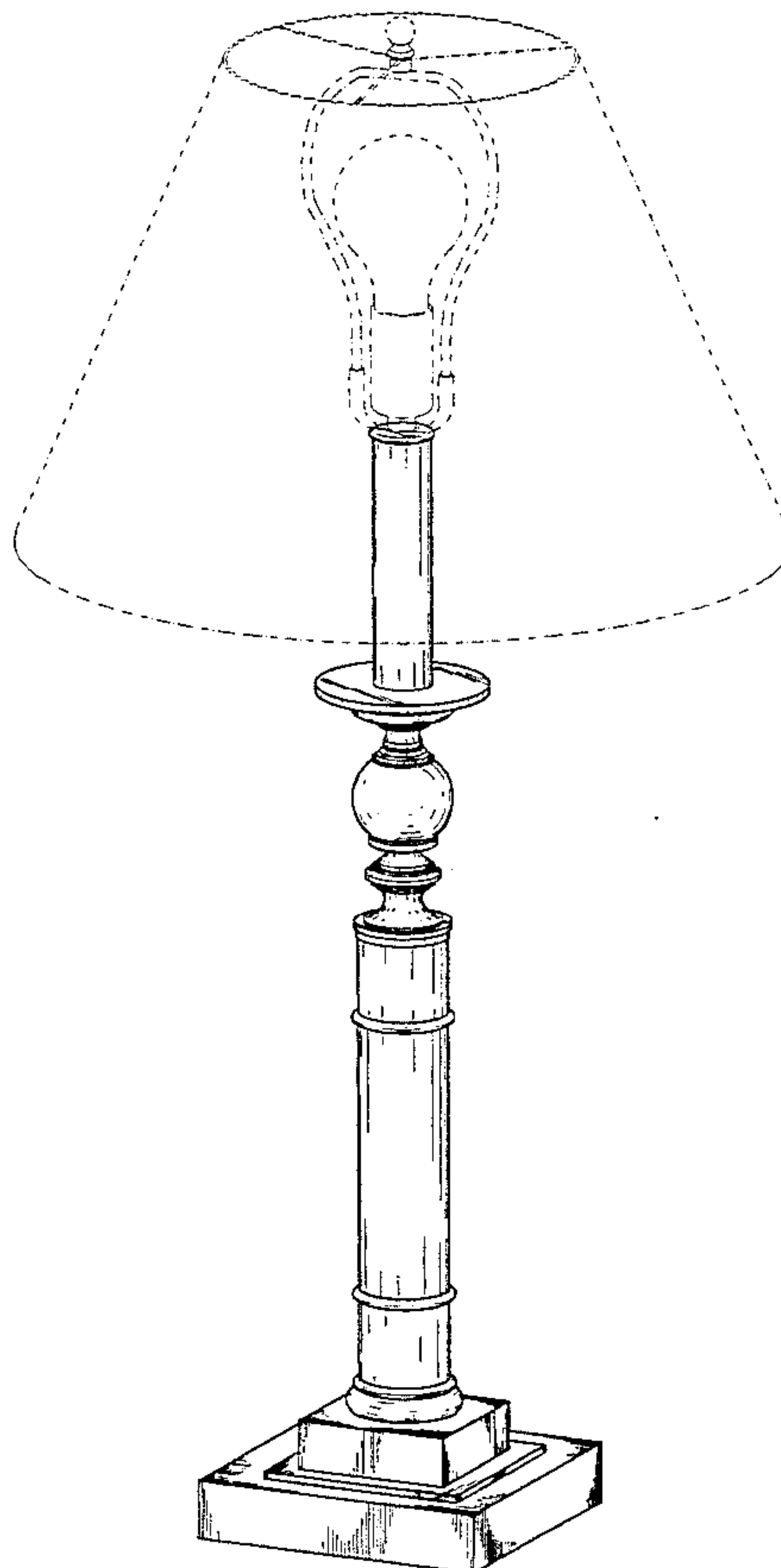
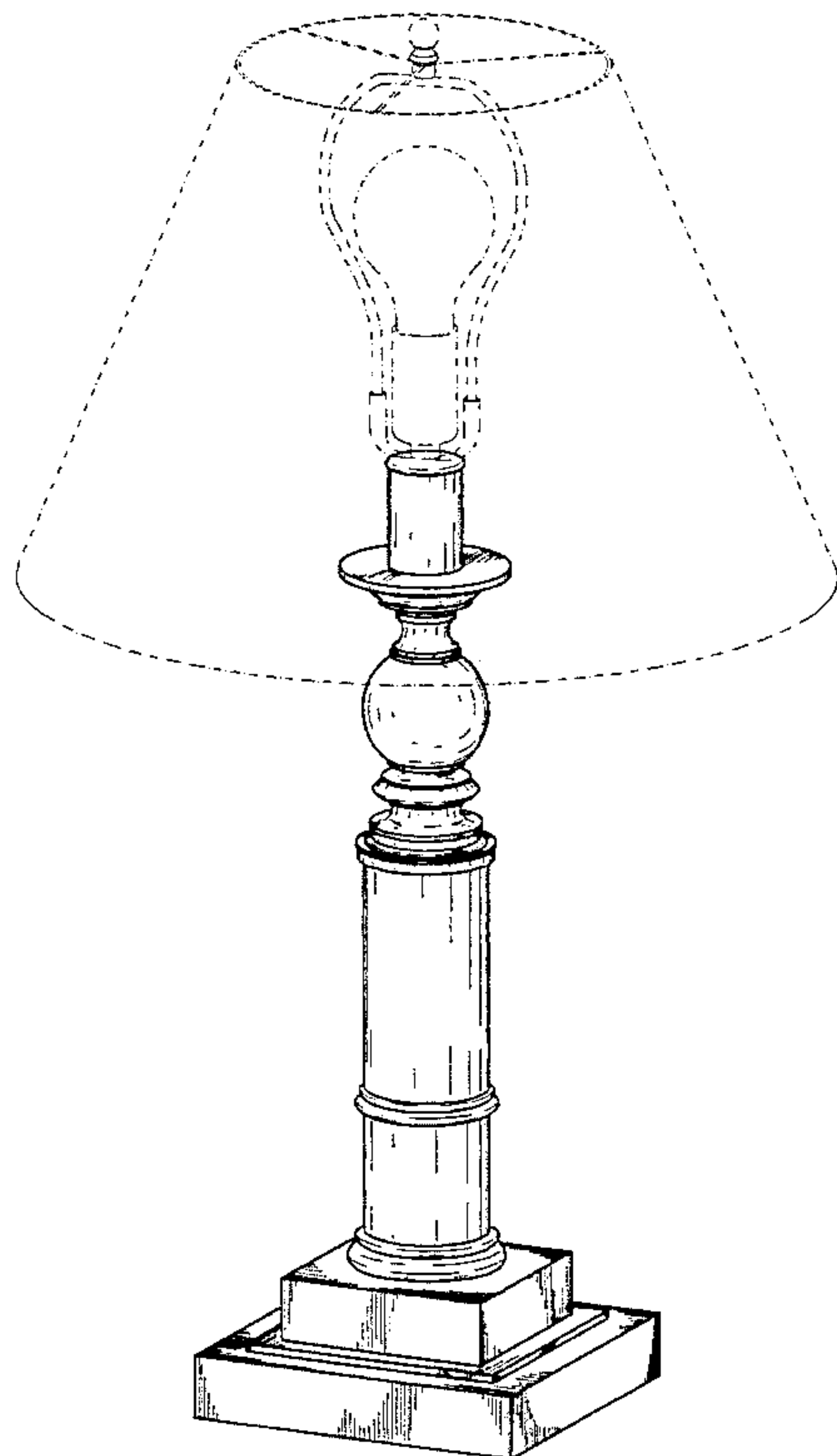
The ornamental design for a table lamp base, as shown and described.

DESCRIPTION

FIG. 1 is a perspective view of a table lamp base showing one embodiment of my new design;
FIG. 2 is a front elevational view of the table lamp base in FIG. 1, the rear and both side elevational views being identical;
FIG. 3 is a top plan view of the table lamp base in FIG. 1;
FIG. 4 is a bottom plan view of the table lamp base in FIG. 1;
FIG. 5 is a perspective view of a table lamp base showing another embodiment of my new design;
FIG. 6 is a front elevational view of the table lamp base in FIG. 5, the rear and both side elevational views being identical;
FIG. 7 is a top plan view of the table lamp base in FIG. 5; and,
FIG. 8 is a bottom plan view of the table lamp base in FIG. 5.

The broken line showing of the lamp shade, the light bulb, the socket, the harp and the finial in all the figures is for illustrative purposes only and forms no part of the claimed design.

1 Claim, 6 Drawing Sheets



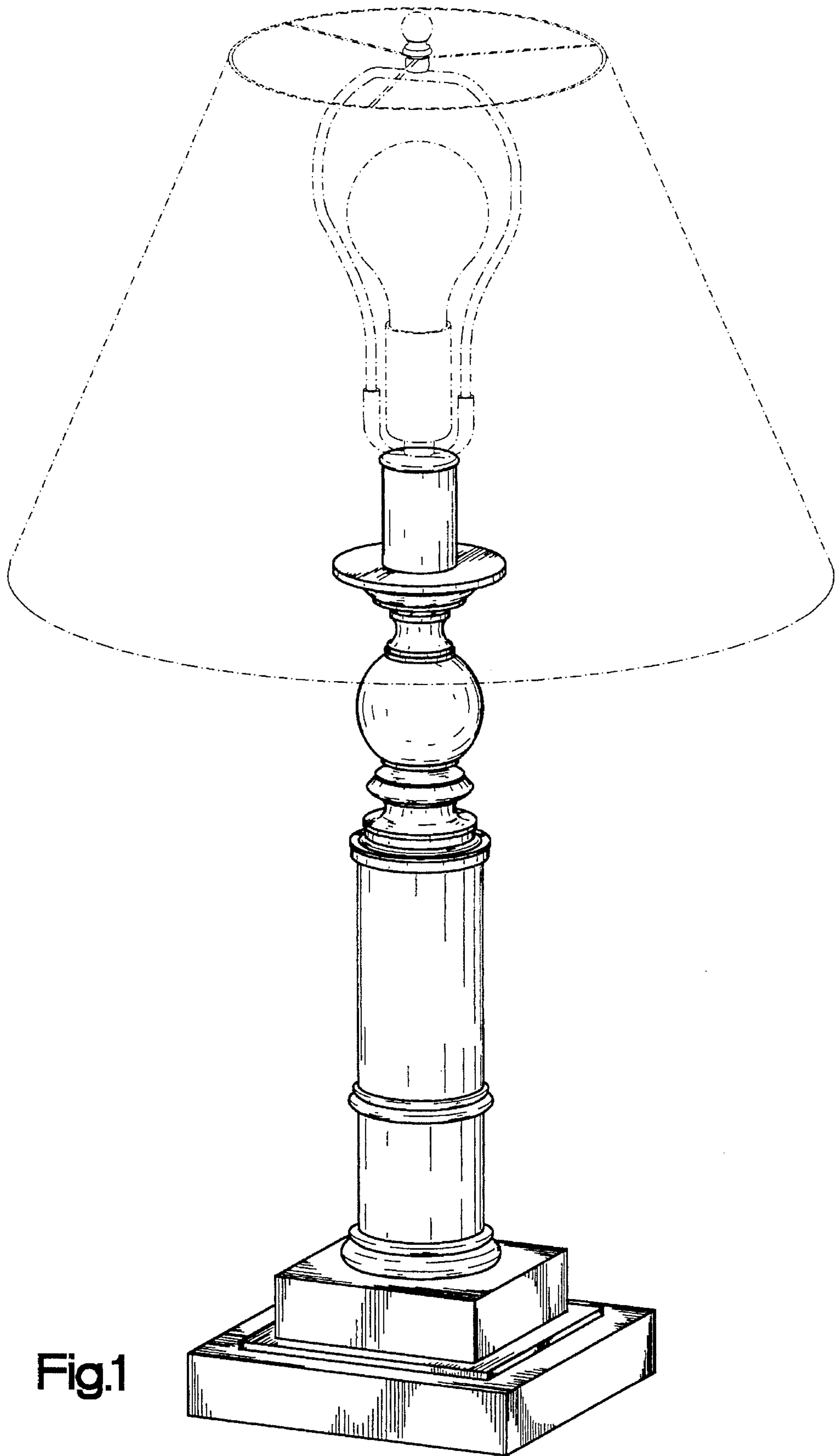


Fig.1

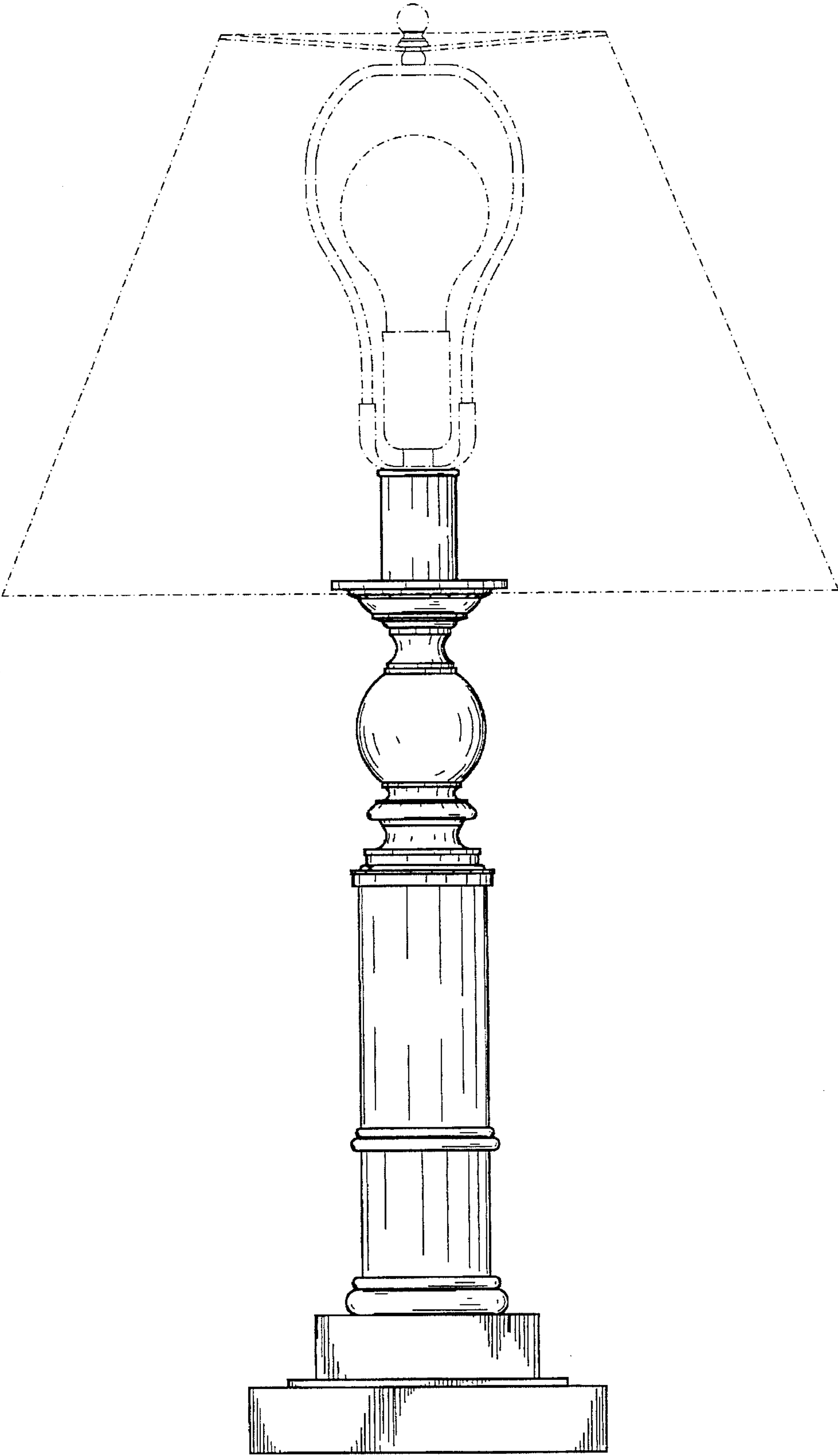


Fig.2

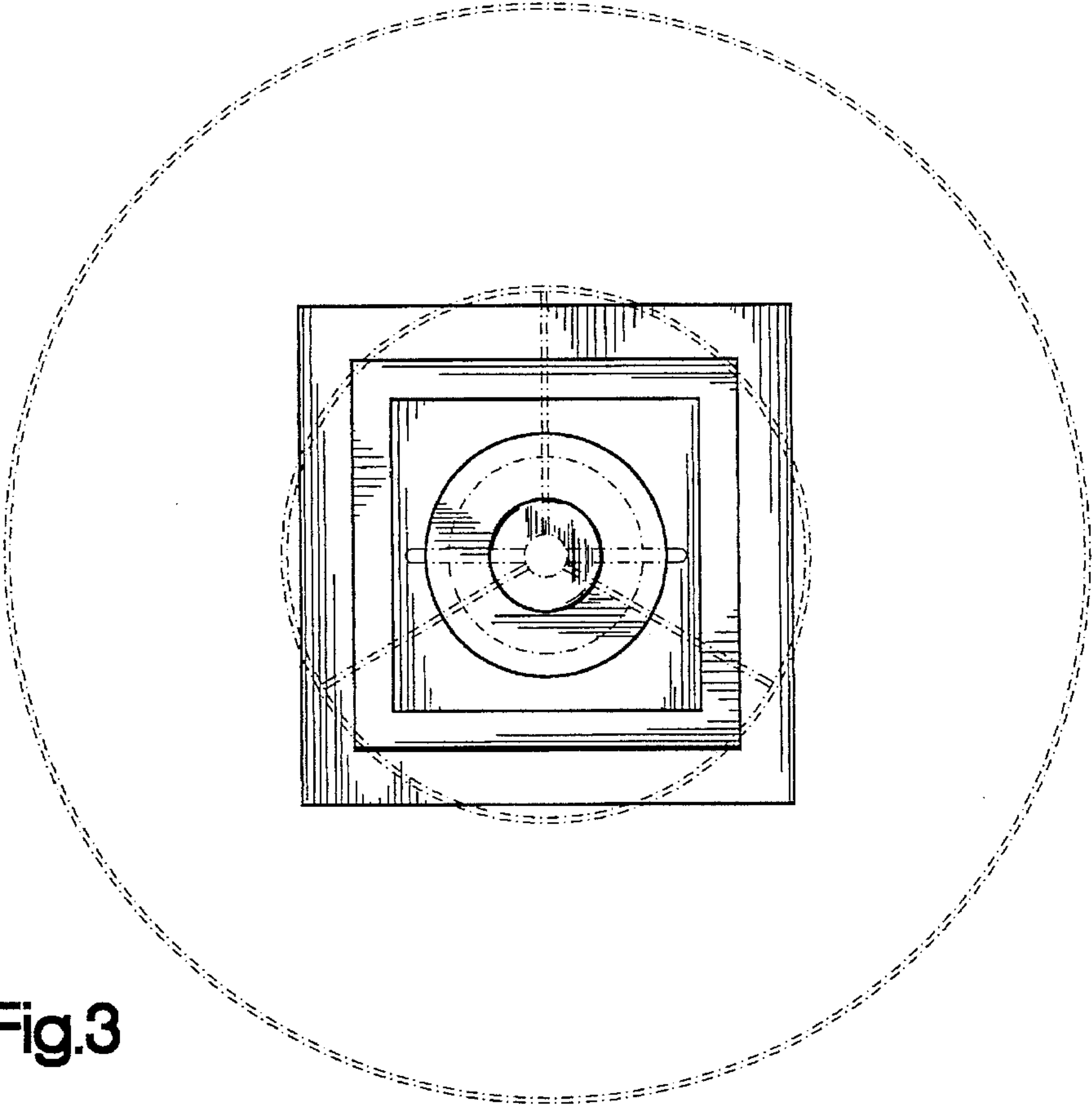


Fig.3

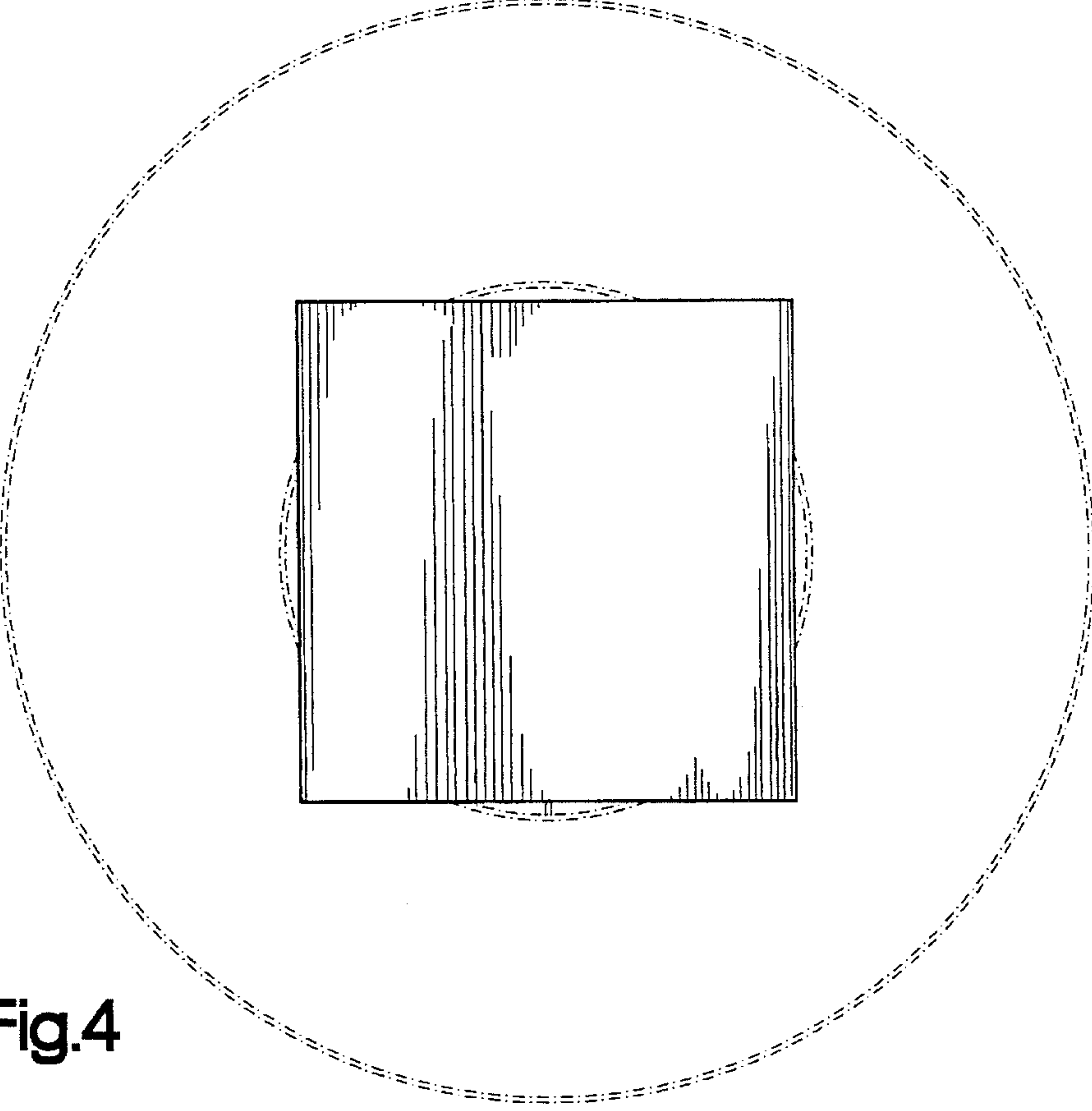


Fig.4

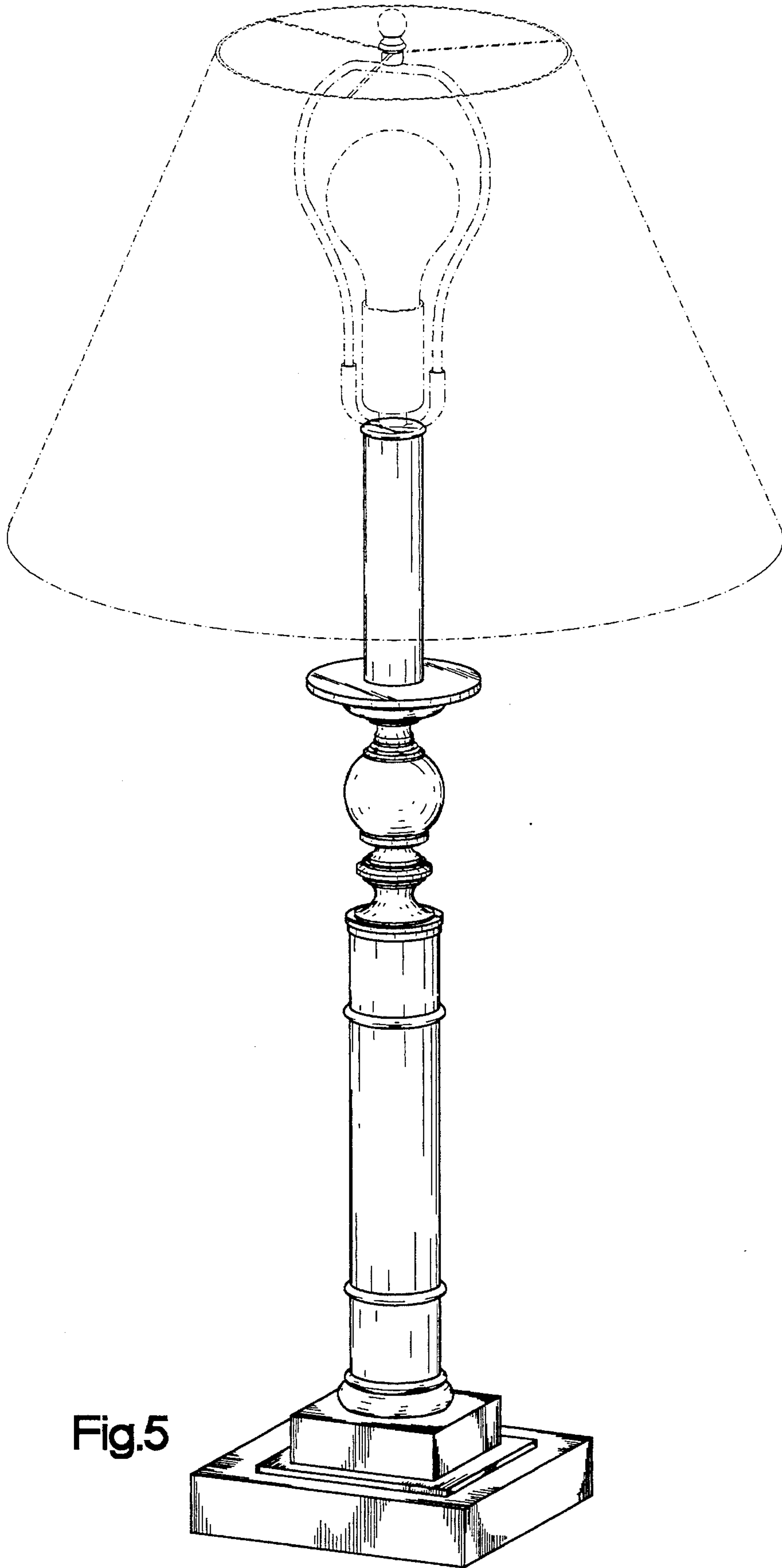


Fig.5

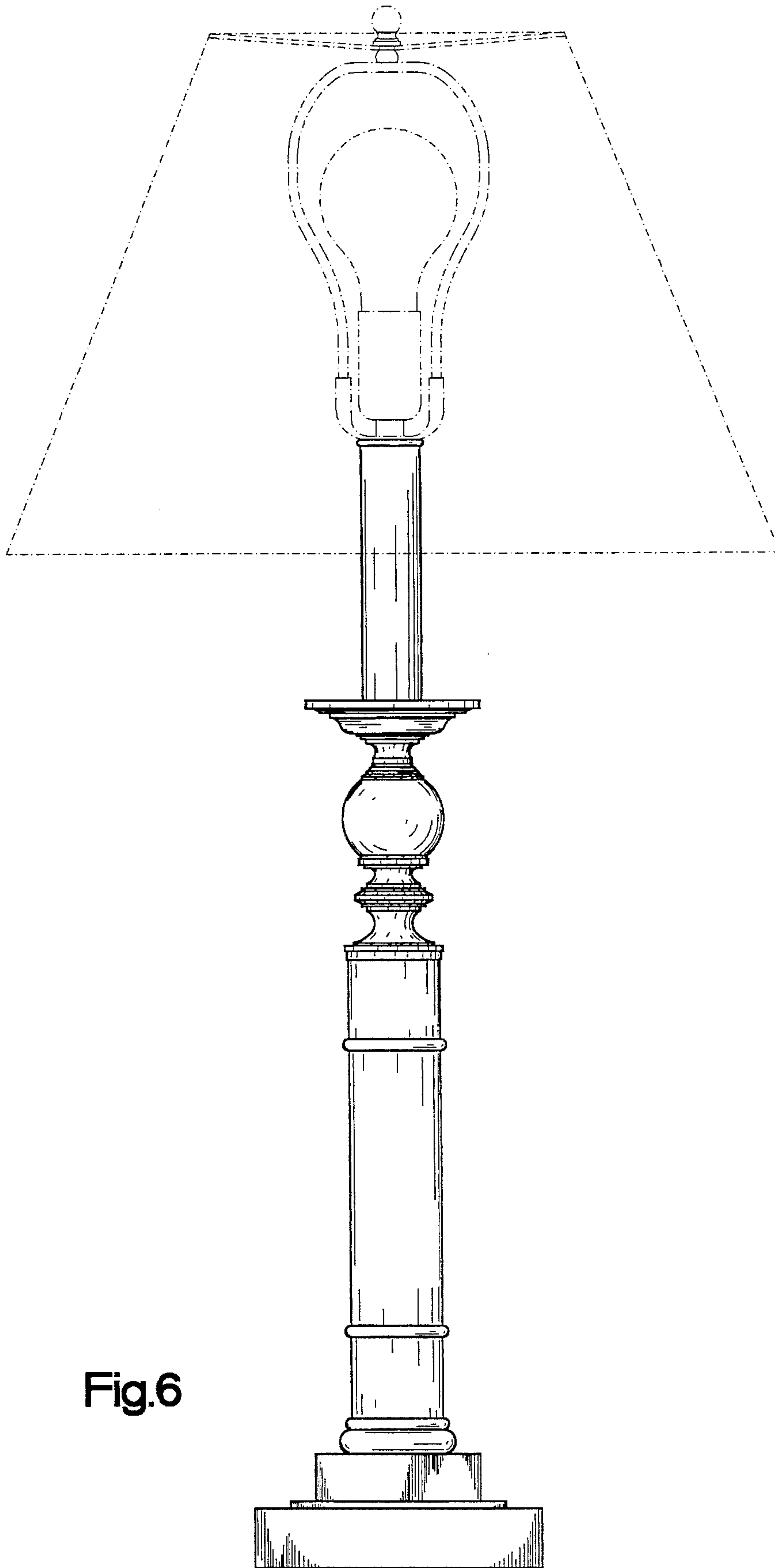


Fig.6

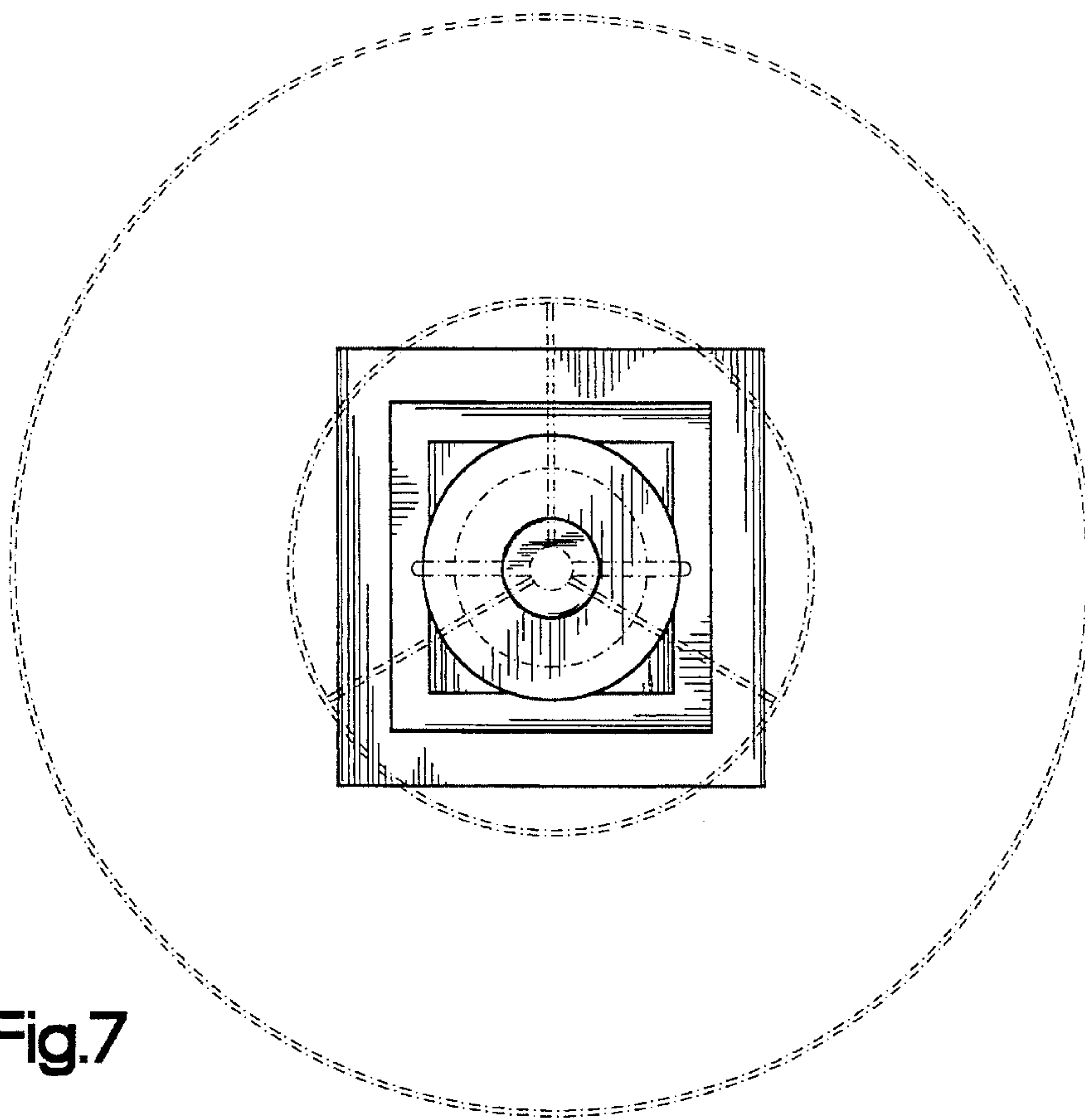


Fig. 7

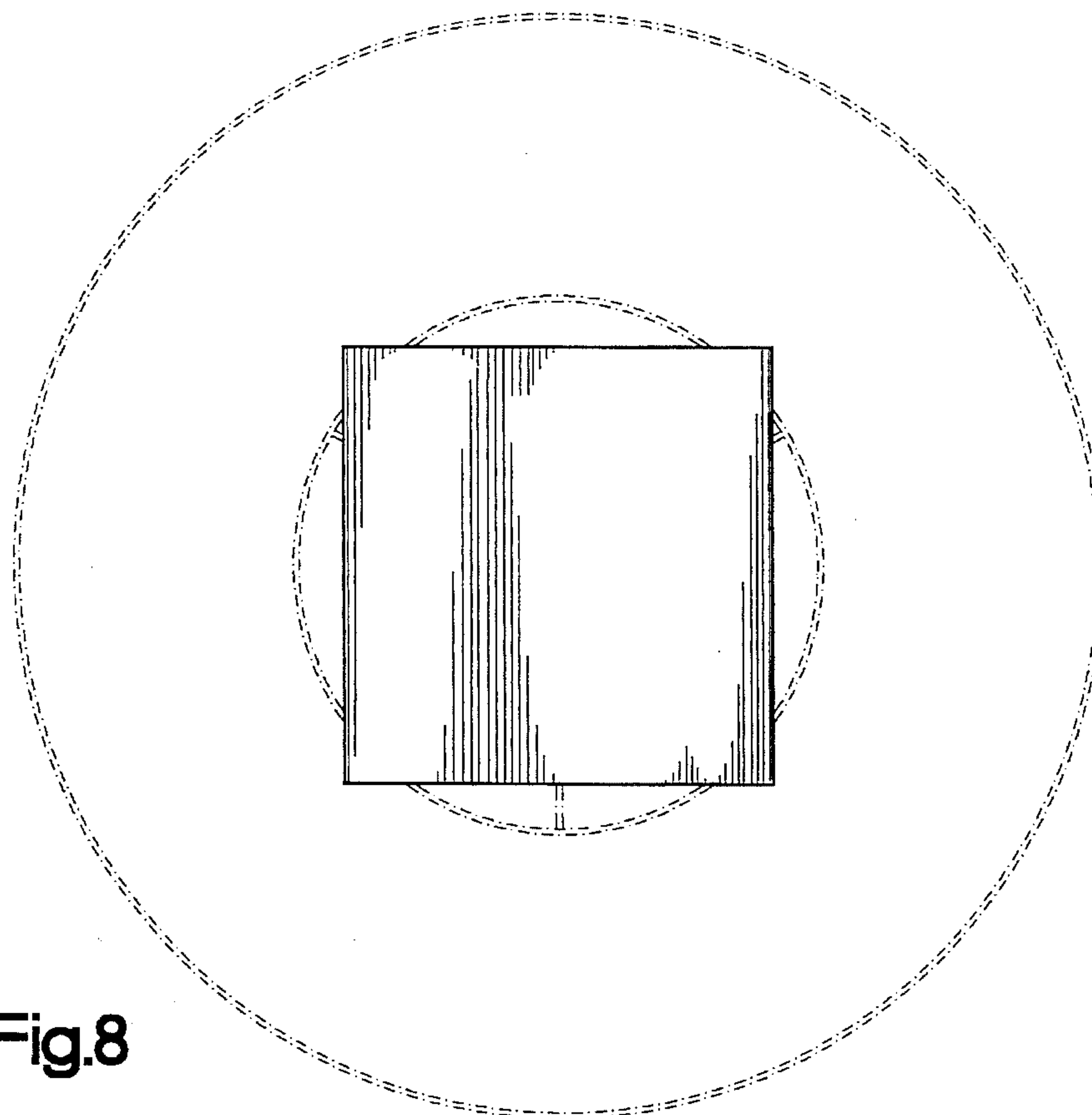


Fig. 8