



US00D366718S

United States Patent [19]
Kattler

[11] **Patent Number: Des. 366,718**
[45] **Date of Patent: **Jan. 30, 1996**

[54] **TABLE LAMP BASE**

[75] Inventor: **Gary M. Kattler**, Chagrin Falls, Ohio
[73] Assignee: **The L.D. Kichler Co.**, Cleveland, Ohio
[**] Term: **14 Years**
[21] Appl. No.: **29,414**
[22] Filed: **Oct. 11, 1994**
[52] **U.S. Cl.** **D26/93**
[58] **Field of Search** D26/93, 94, 95,
D26/96, 101, 104, 105, 106, 107, 108,
109, 110, 111, 112; 364/410, 411, 412,
413, 414, 431

[56] **References Cited**

U.S. PATENT DOCUMENTS

D. 44,325 7/1913 Villmont D26/110
D. 67,884 7/1925 Fila D26/110
1,321,242 11/1919 Peina 362/414

OTHER PUBLICATIONS

Minoff 1094 catalog entitled "Made by Hand for the Heart", cover & title pages and p. 73, showing Lamp 50-625.

Primary Examiner—A. Hugo Word
Assistant Examiner—Cynthia E. Ramiez
Attorney, Agent, or Firm—Watts, Hoffmann, Fisher & Heinke

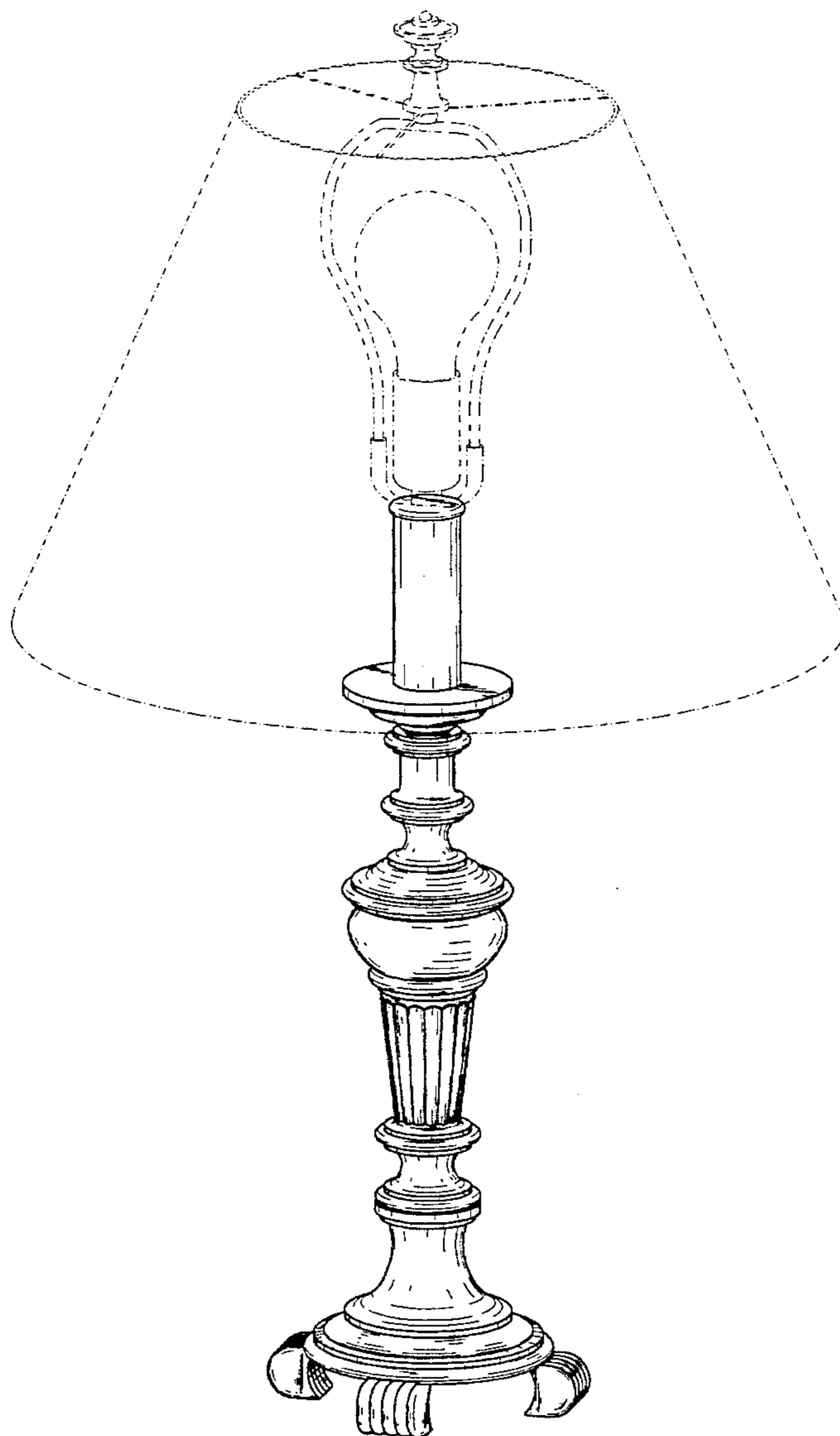
[57] **CLAIM**

The ornamental design for a table lamp base, as shown and described.

DESCRIPTION

FIG. 1 is a perspective view of a table lamp base showing my new design;
FIG. 2 is a front elevational view of a table lamp base, the rear and both side elevational views being identical;
FIG. 3 is a top plan view of the table lamp base; and,
FIG. 4 is a bottom plan view of the table lamp base.

1 Claim, 3 Drawing Sheets



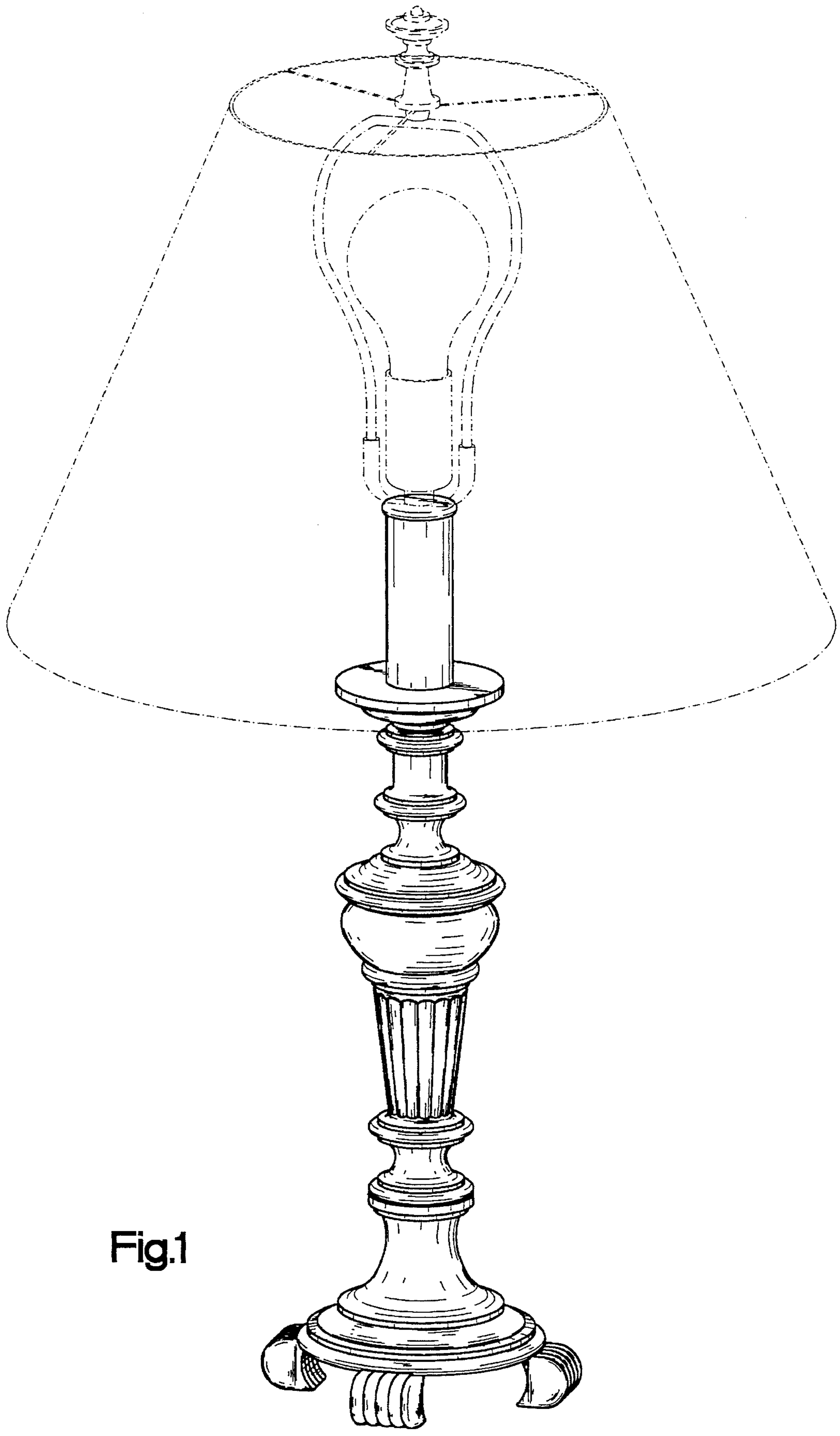


Fig.1

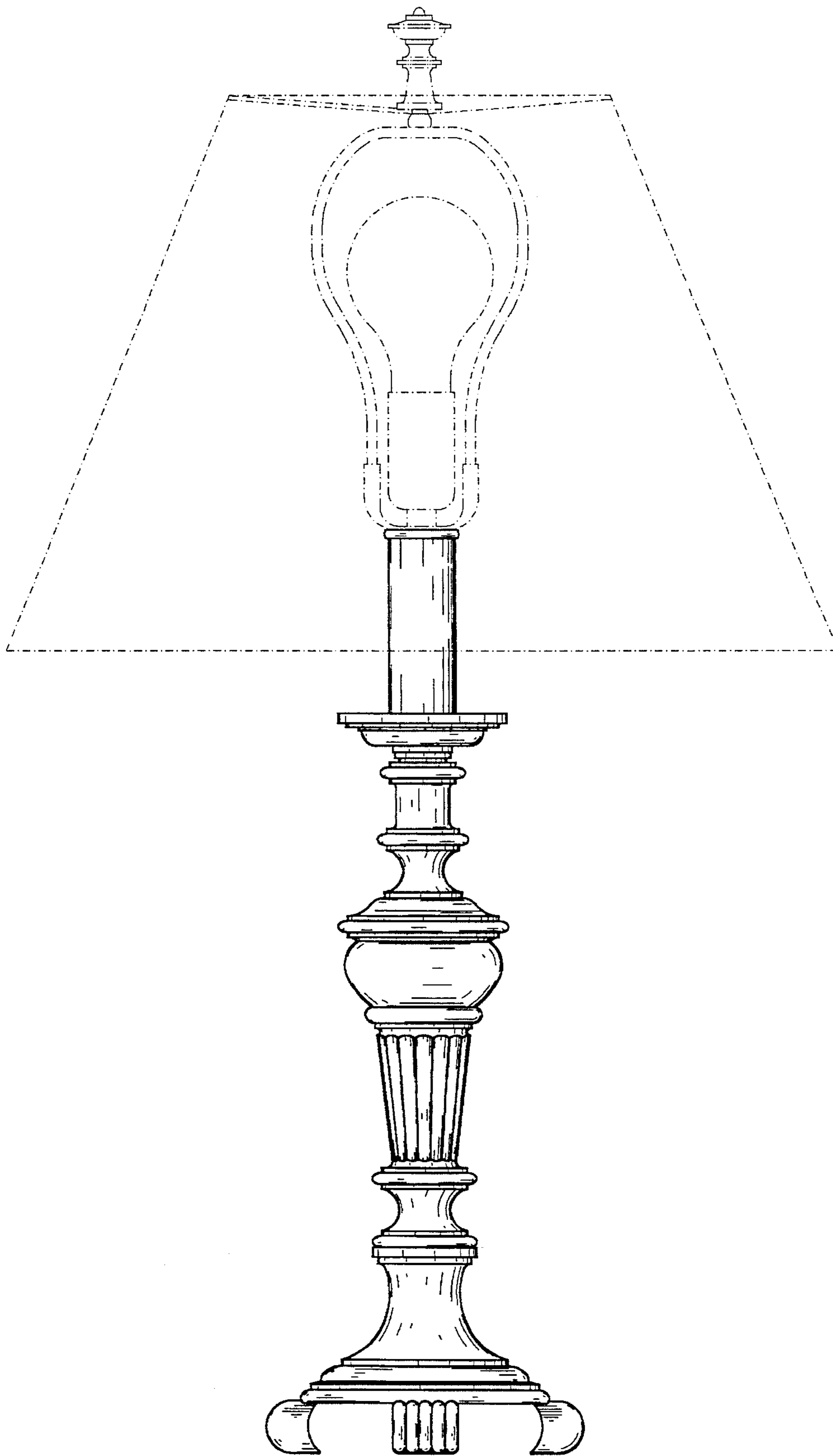


Fig.2

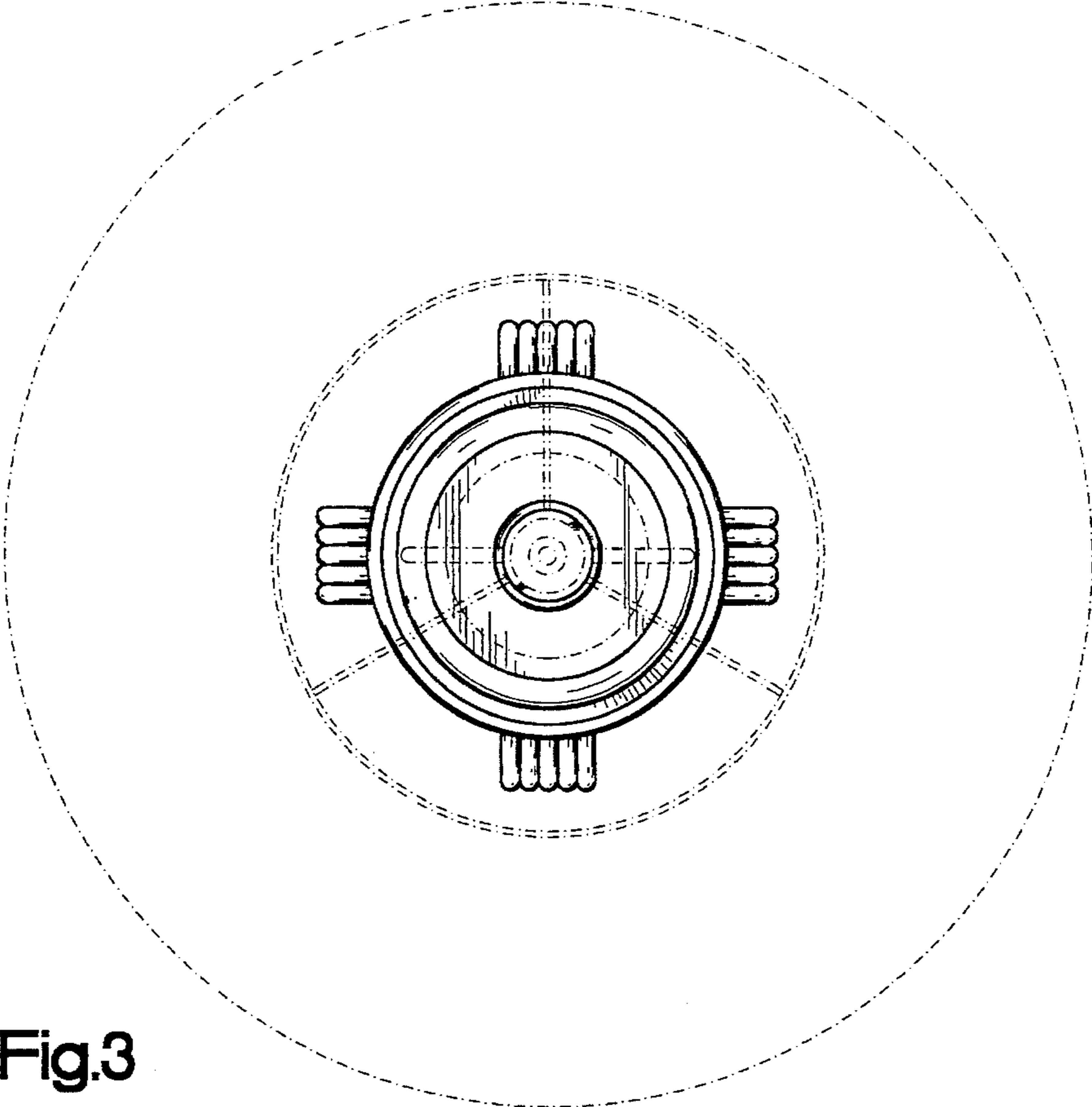


Fig.3

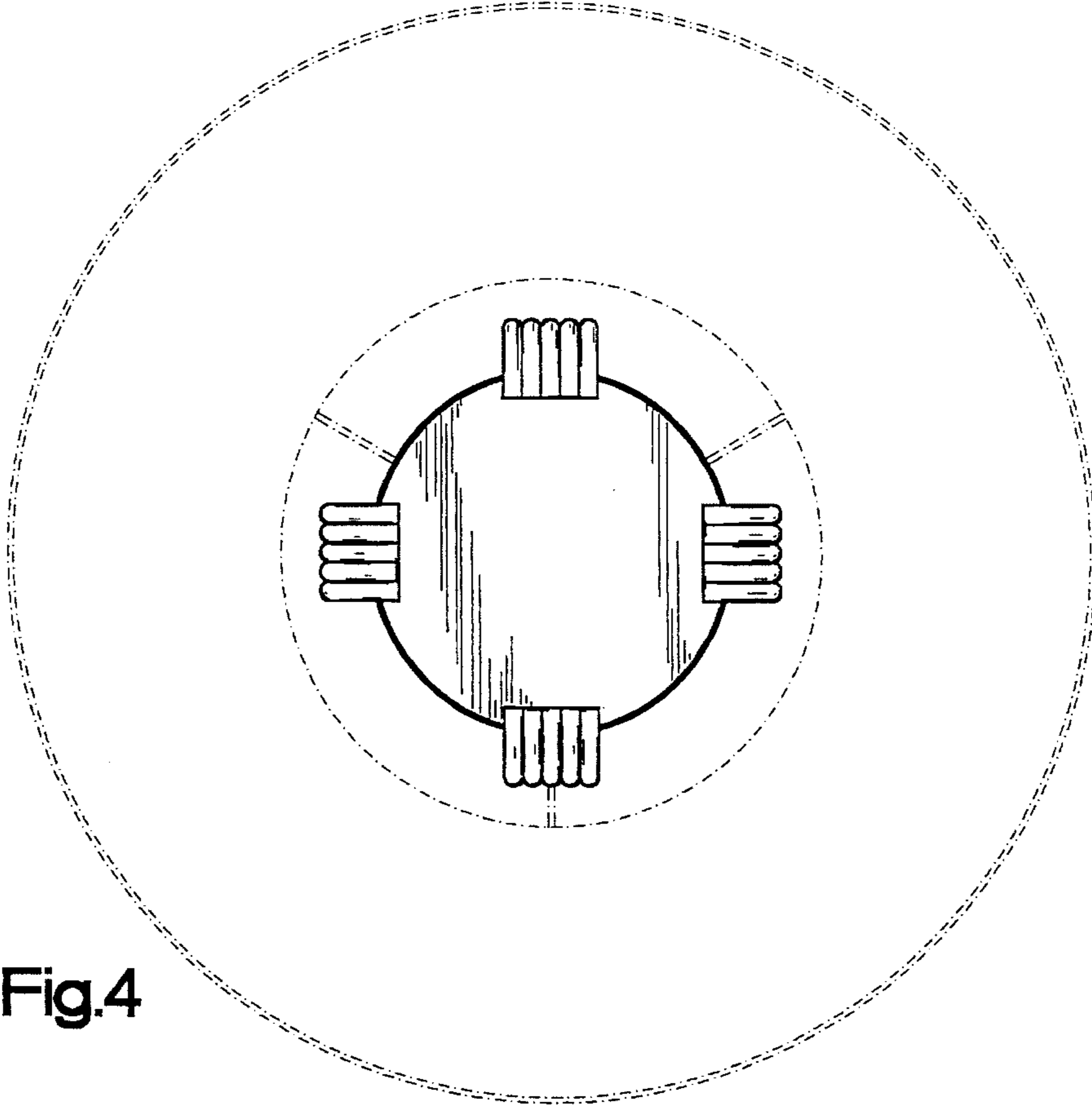


Fig.4