



US00D366717S

# United States Patent [19]

[11] Patent Number: **Des. 366,717**

Visage

[45] Date of Patent: **\*\*Jan. 30, 1996**

[54] TABLE LAMP BASE

[75] Inventor: **Colleen M. Visage**, Willoughby Heights, Ohio

[73] Assignee: **The L. D. Kichler Co.**, Cleveland, Ohio

[\*\*] Term: **14 Years**

[21] Appl. No.: **29,413**

[22] Filed: **Oct. 11, 1994**

[52] U.S. Cl. .... **D26/93**

[58] Field of Search ..... D26/93, 94, 95, D26/96, 101, 104, 105, 106, 107, 108, 109, 110, 111, 112; 362/410, 411, 412, 413, 414, 431

[56] **References Cited**

**U.S. PATENT DOCUMENTS**

D. 62,499 6/1923 Roettges ..... D26/101  
D. 290,295 6/1987 Manton ..... D26/110

**OTHER PUBLICATIONS**

Minoff 1094 catalog entitled "Made by Hand for the Heart", cover & title pages and p. 67, showing Lamps 50-636, 50-637 and 50-639.

*Primary Examiner*—A. Hugo Word  
*Assistant Examiner*—Cynthia E. Ramirez  
*Attorney, Agent, or Firm*—Watts, Hoffmann, Fisher & Heinke

[57] **CLAIM**

The ornamental design for a table lamp base, as shown and described.

**DESCRIPTION**

FIG. 1 is a perspective view of a table lamp base showing my new design;

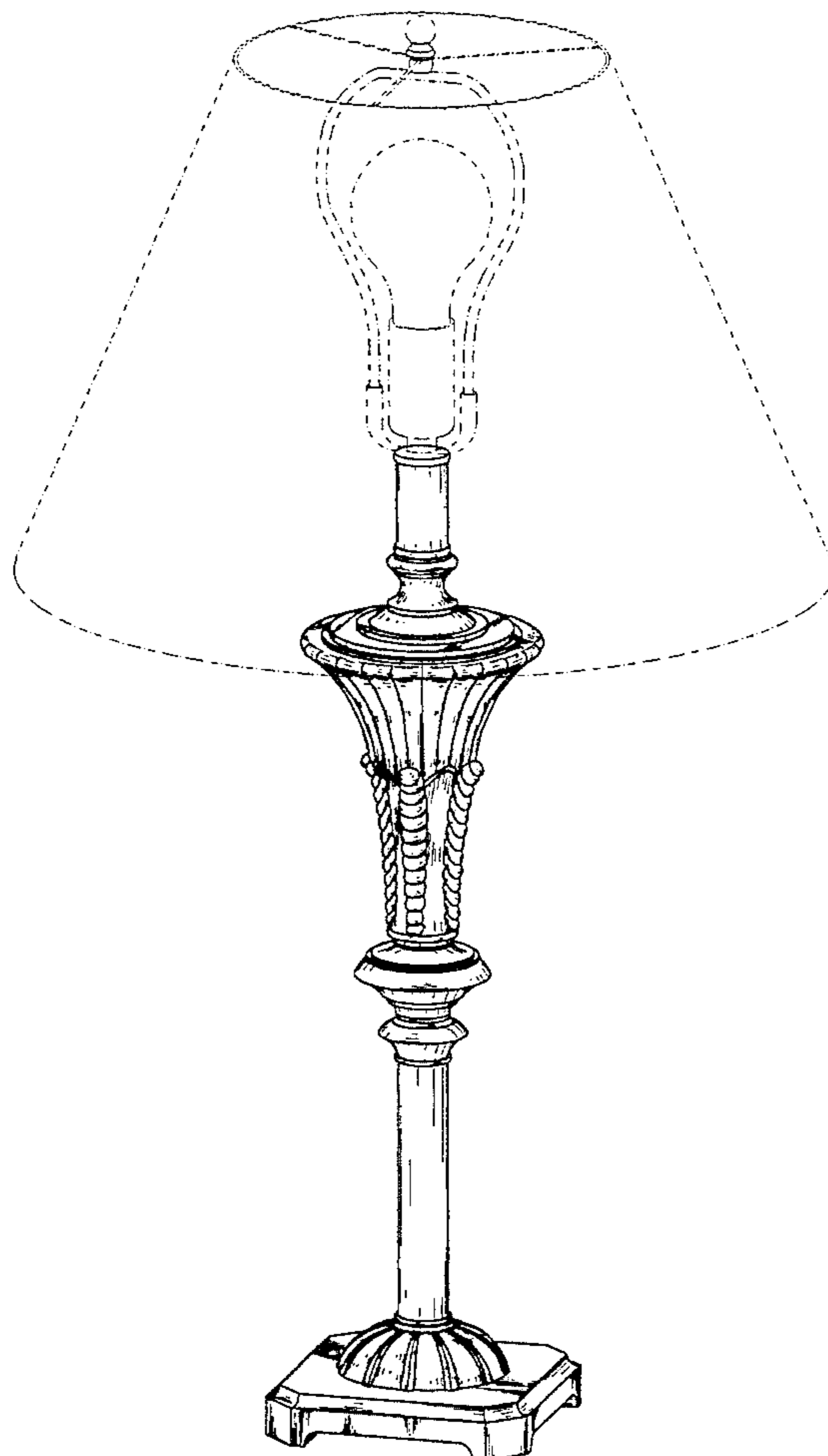
FIG. 2 is a front elevational view of the table lamp base, the rear and both side elevational views being identical;

FIG. 3 is a top plan view of the table lamp base; and,

FIG. 4 is a bottom plan view of the table lamp base.

The broken line showing of the lamp shade, the light bulb, the socket, the harp and the finial in all the figures is for illustrative purposes only and forms no part of the claimed design.

**1 Claim, 3 Drawing Sheets**



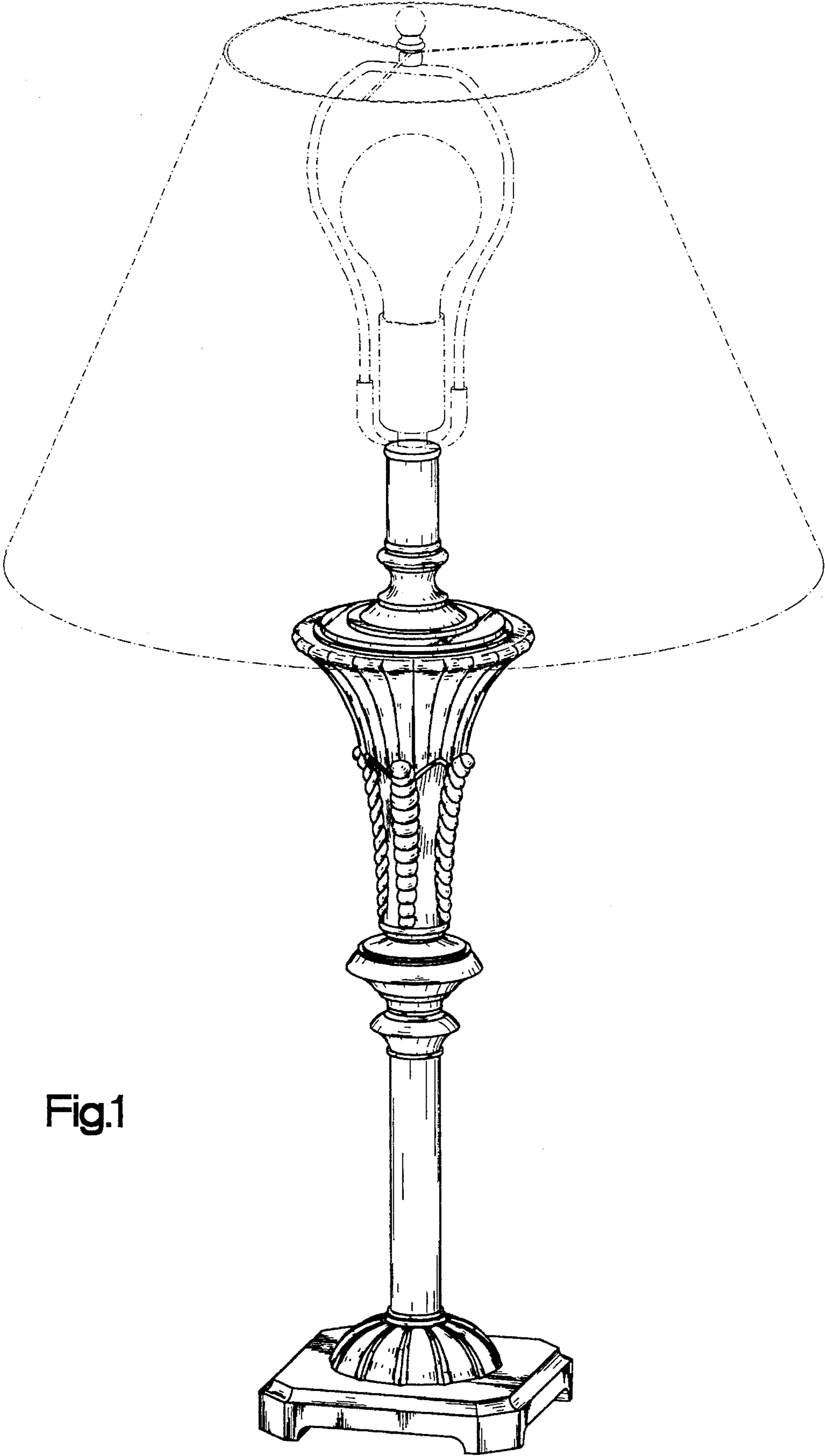


Fig.1

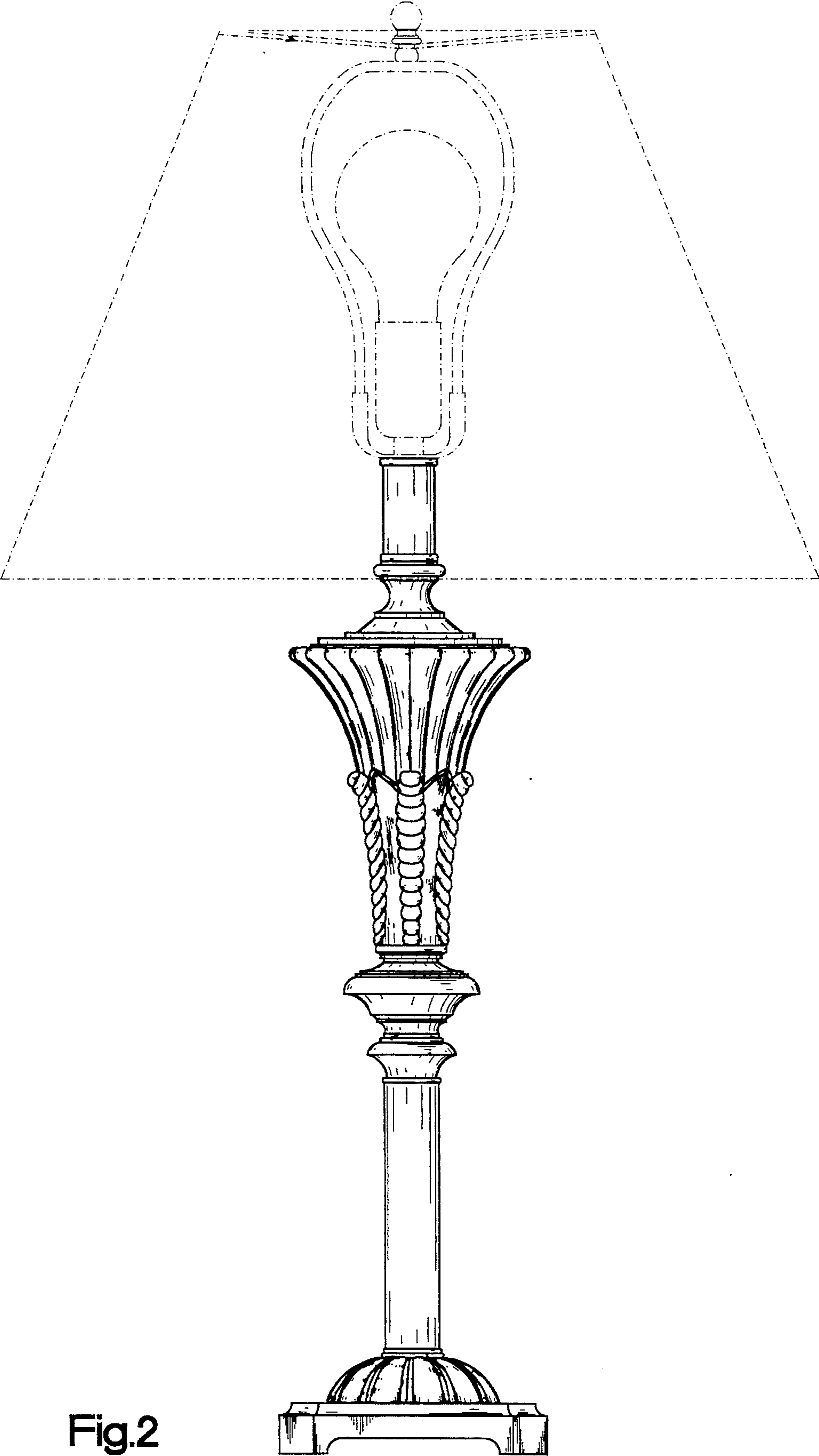


Fig.2

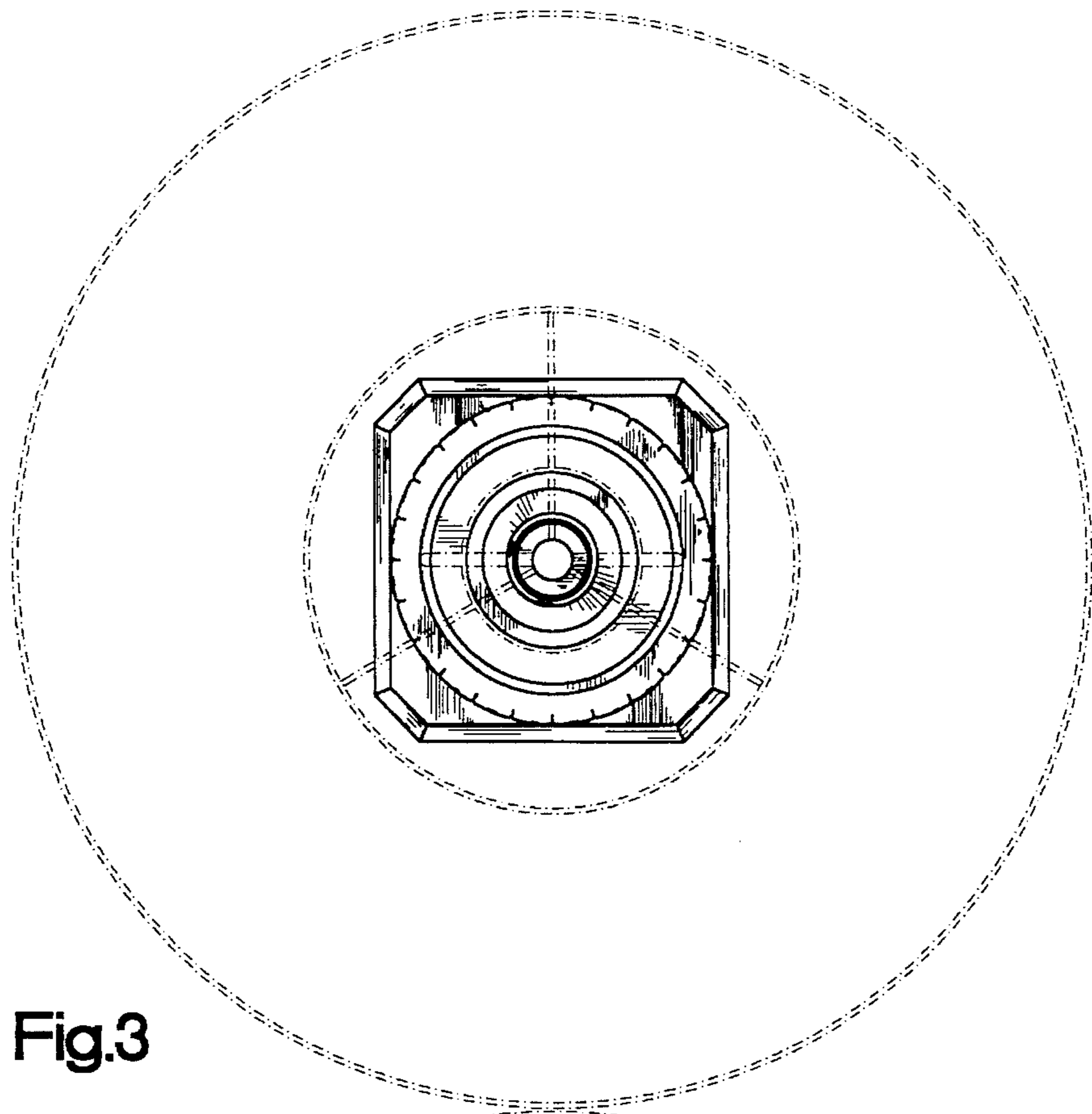


Fig.3

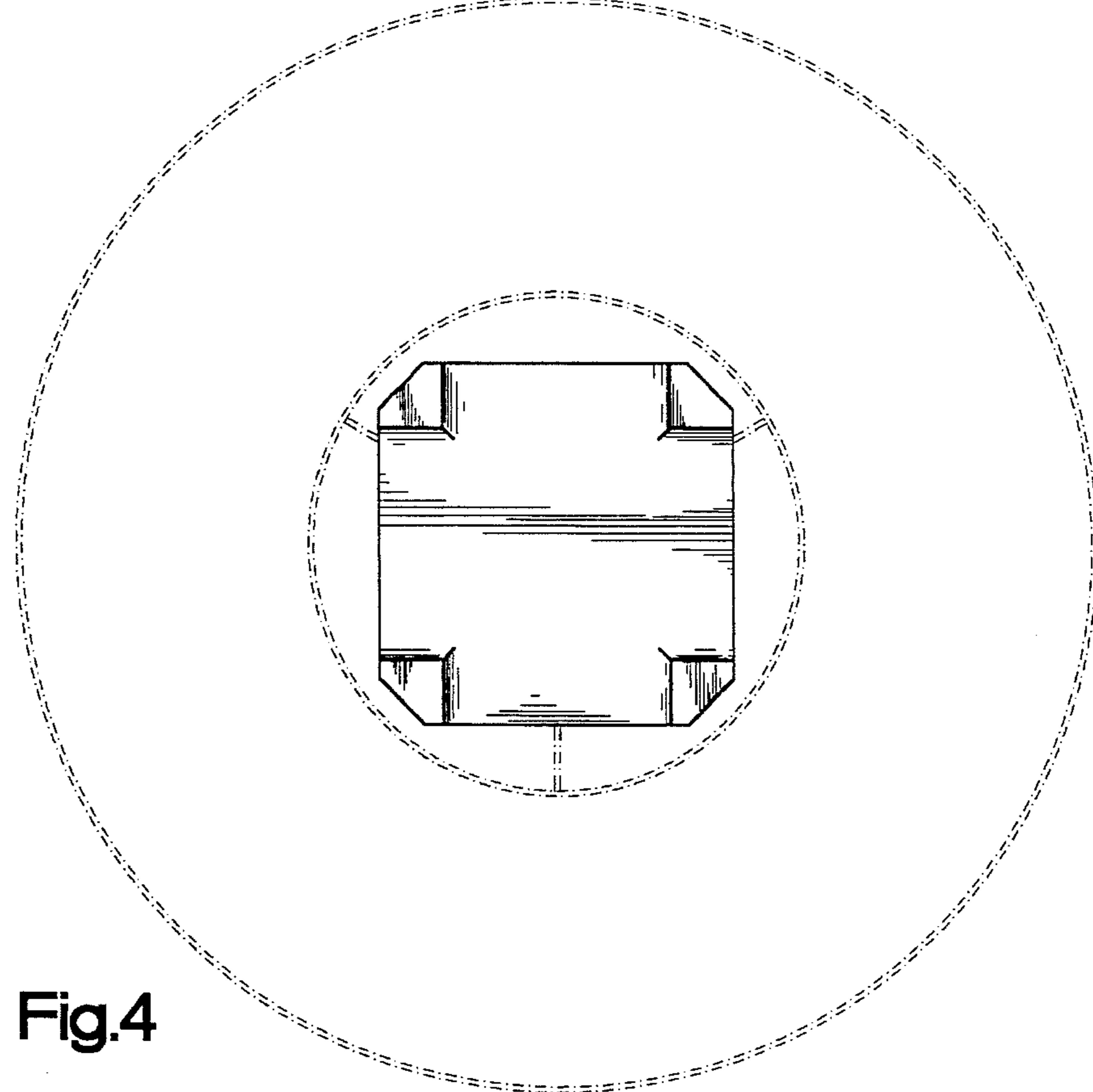


Fig.4