



US00D366713S

United States Patent [19]

Cornell et al.

[11] Patent Number: Des. 366,713

[45] Date of Patent: **Jan. 30, 1996

[54] OUTDOOR LIGHT FIXTURE

[75] Inventors: Edward C. Cornell, Waukegan, Ill.;
Robert D. Giese, Kenosha, Wis.

[73] Assignee: Intermatic Incorporated, Spring
Grove, Ill.

[**] Term: 14 Years

[21] Appl. No.: 26,434

[22] Filed: Jul. 27, 1994

[52] U.S. Cl. D26/68

[58] Field of Search D26/67-71; 362/153,
362/153.1, 431

[56] References Cited

U.S. PATENT DOCUMENTS

D. 263,340	3/1982	Budnovitch et al.	D26/67
D. 305,156	12/1989	Maddock	D26/67
D. 323,567	1/1992	Denison et al.	D26/68
4,774,648	9/1988	Kakuk et al.	362/431 X

OTHER PUBLICATIONS

Intermatic® Malibu® Outdoor Lighting Catalog, 1987, p. 12, Outdoor Lights LV571 & LV575.

Primary Examiner—Susan J. Lucas

Attorney, Agent, or Firm—William Brinks Hofer Gilson & Lione

[57] CLAIM

The ornamental design for an outdoor light fixture, as shown and described.

DESCRIPTION

FIG. 1 is a front perspective view showing the outdoor light fixture of the present invention; the broken line showing of the stake in this and the below figures is for illustrative purposes only;

FIG. 2 is a side view thereof the front, rear, and opposite side being identical;

FIG. 3 is a top view thereof; and,

FIG. 4 is a bottom view thereof.

1 Claim, 1 Drawing Sheet

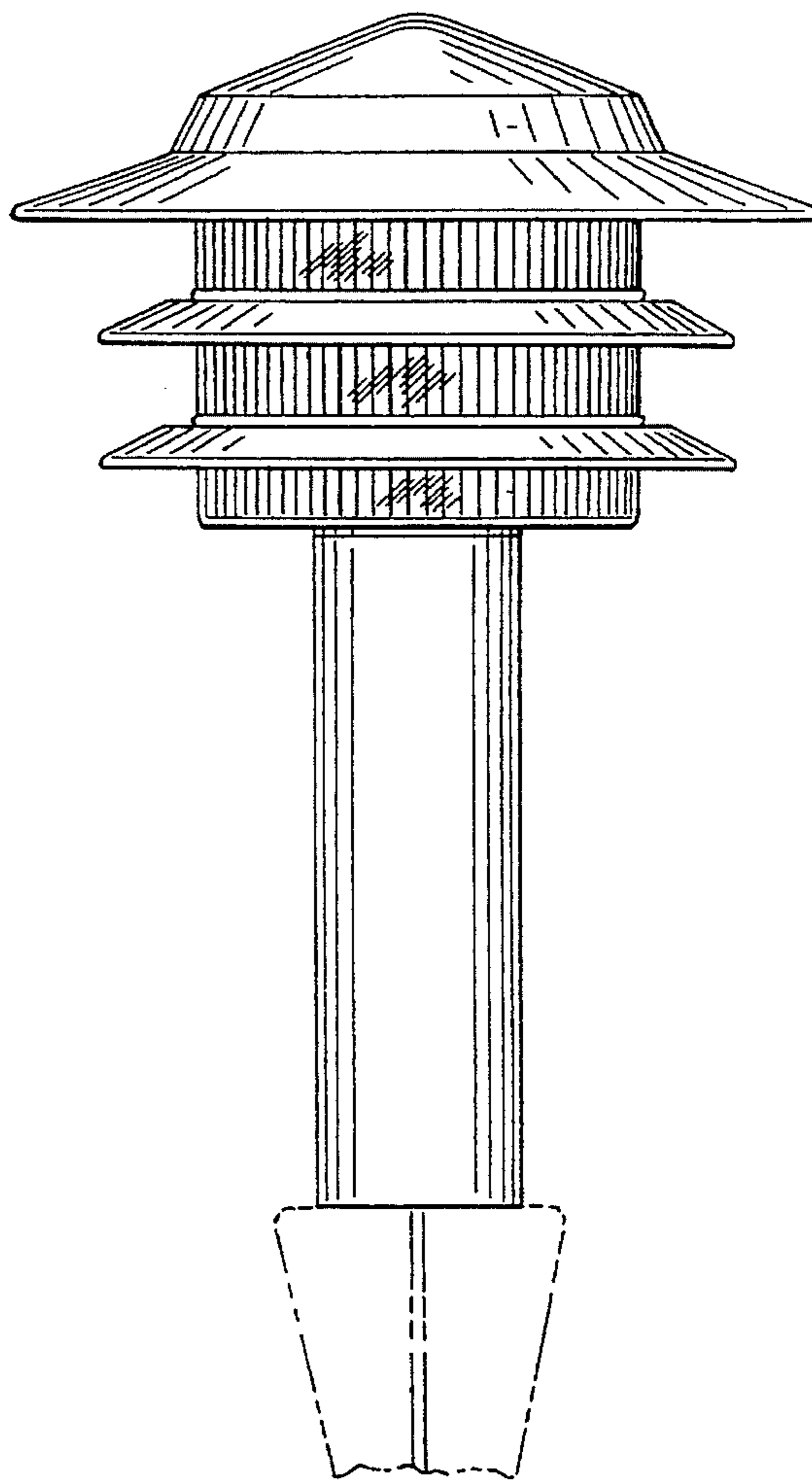
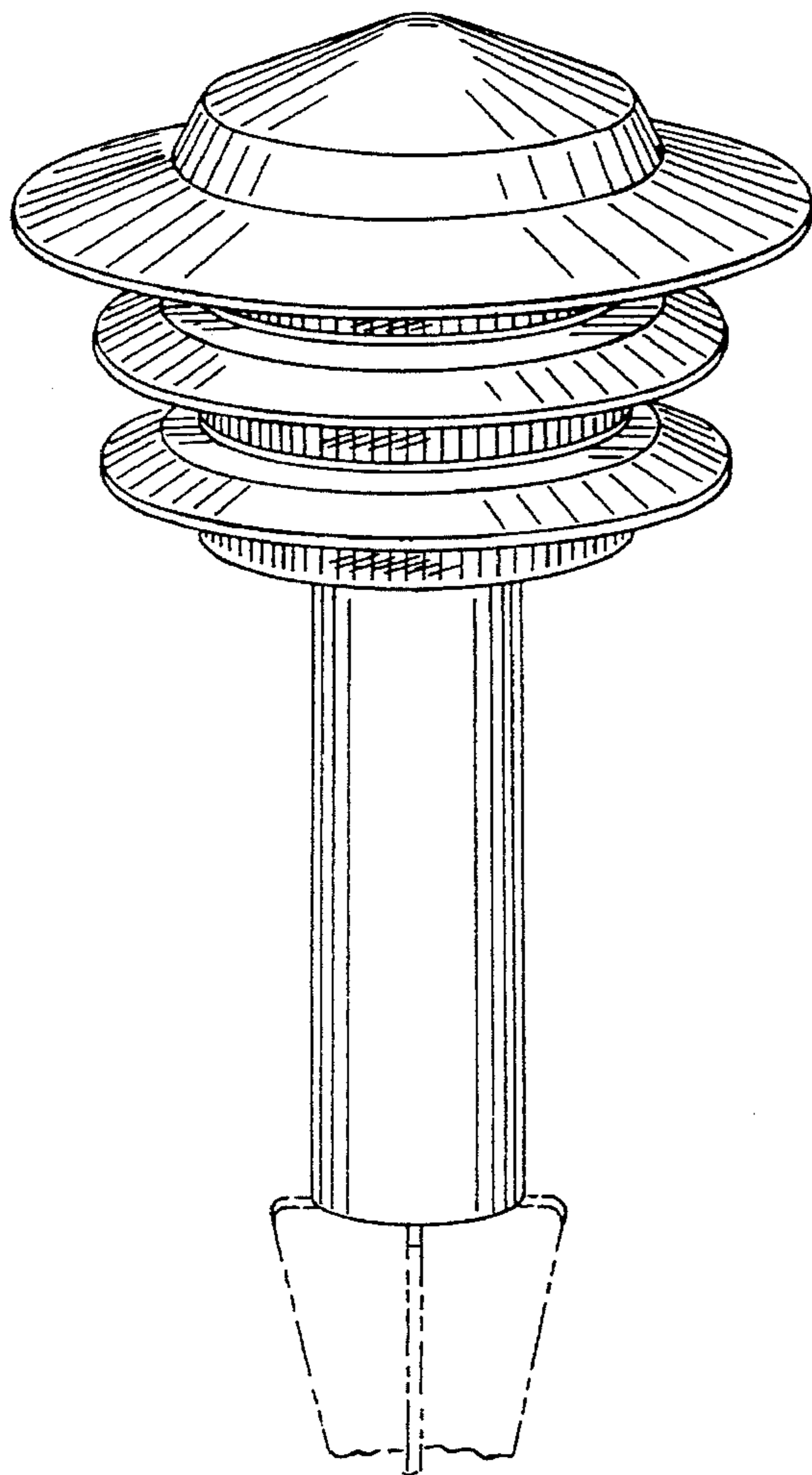


FIG. 1

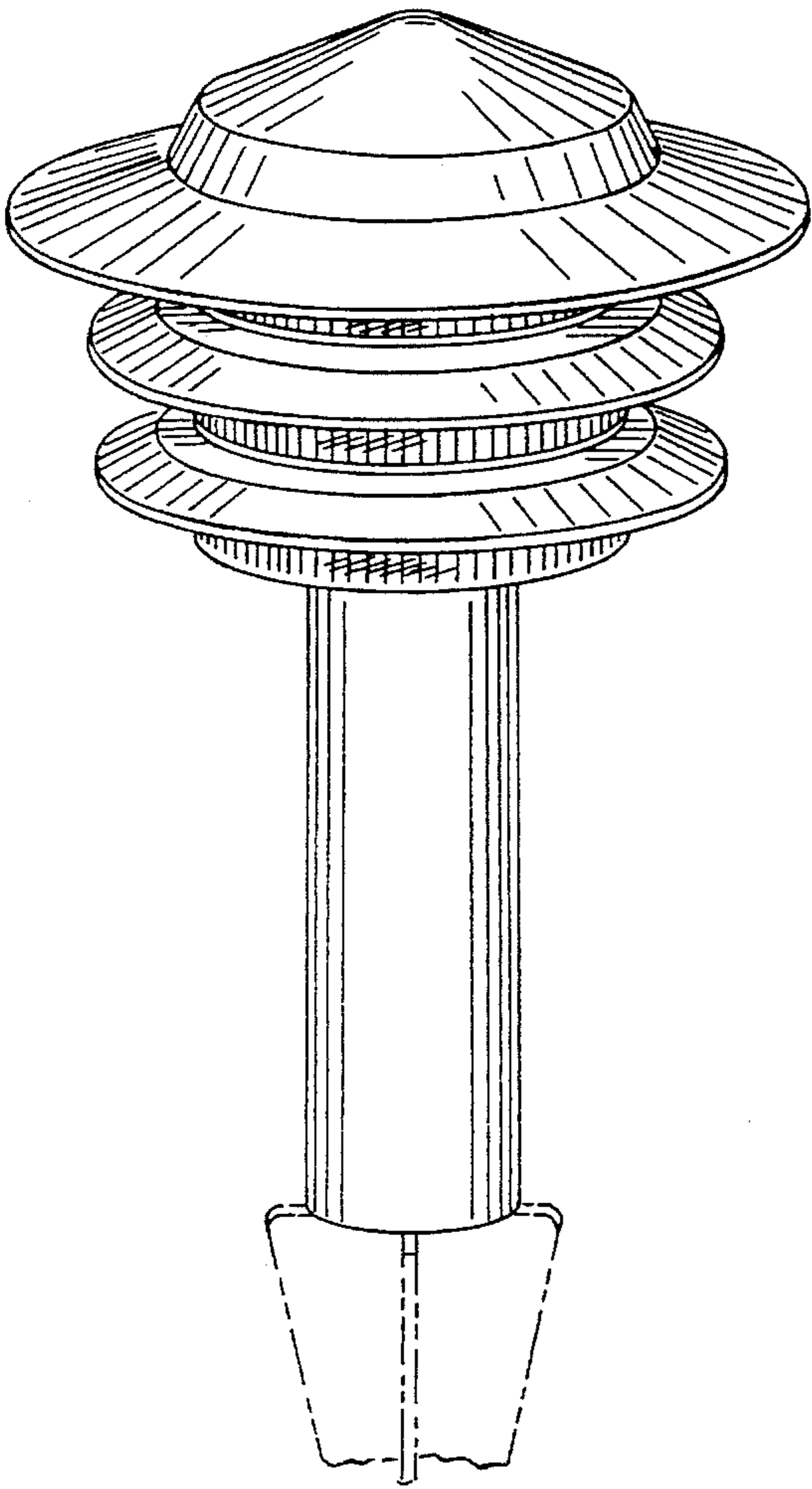


FIG. 2

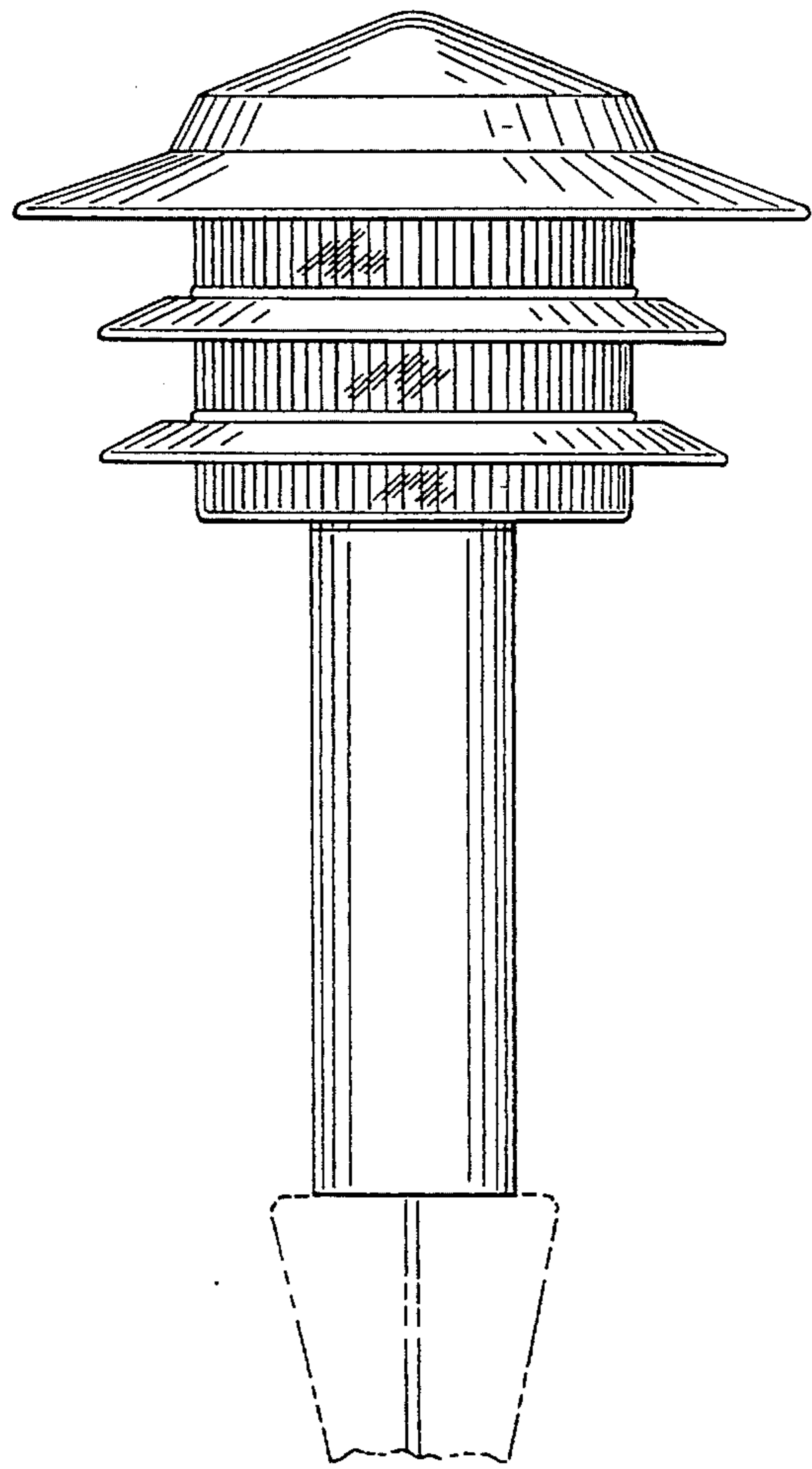


FIG. 3

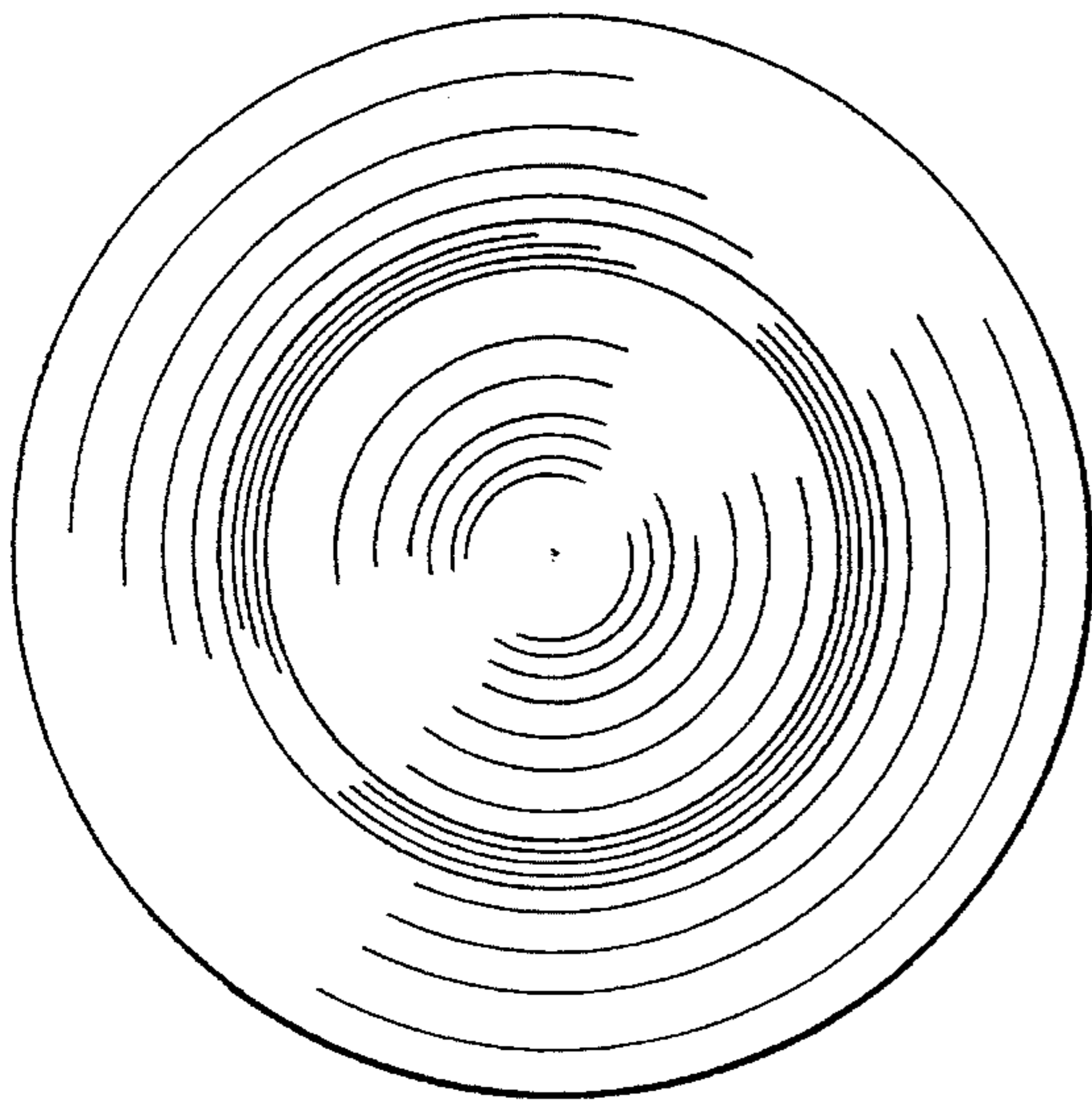


FIG. 4

