



US00D366712S

United States Patent [19]

[11] Patent Number: **Des. 366,712**

Hanson et al.

[45] Date of Patent: ****Jan. 30, 1996**

[54] **ADJUSTABLE SPOT LUMINAIRE**

4,097,919 6/1978 Bobrick et al. 362/804 X
4,516,195 5/1985 Gonser 362/804 X

[75] Inventors: **Douglas A. Hanson**, Arlington;
Timothy D. Stacy, Plano; **Timothy W. Terleski**, Garland, all of Tex.

Primary Examiner—Susan L. Lucas

[73] Assignee: **Vari-Lite, Inc.**, Dallas, Tex.

[57] CLAIM

[**] Term: **14 Years**

The ornamental design for a adjustable spot luminaire, as shown.

[21] Appl. No.: **20,618**

DESCRIPTION

[22] Filed: **Mar. 29, 1994**

[52] U.S. Cl. **D26/63**

FIG. 1 is a top and right perspective view of the design for a adjustable spot luminaire in accordance with the present invention;

[58] Field of Search D26/24, 60, 61,
D26/63, 64, 65, 66; 362/269, 275, 418,
419, 427, 804

FIG. 2 is the front view thereof;

FIG. 3 is the rear view thereof;

FIG. 4 is the left side view thereof;

FIG. 5 is the right side view thereof;

FIG. 6 is the top view thereof; and,

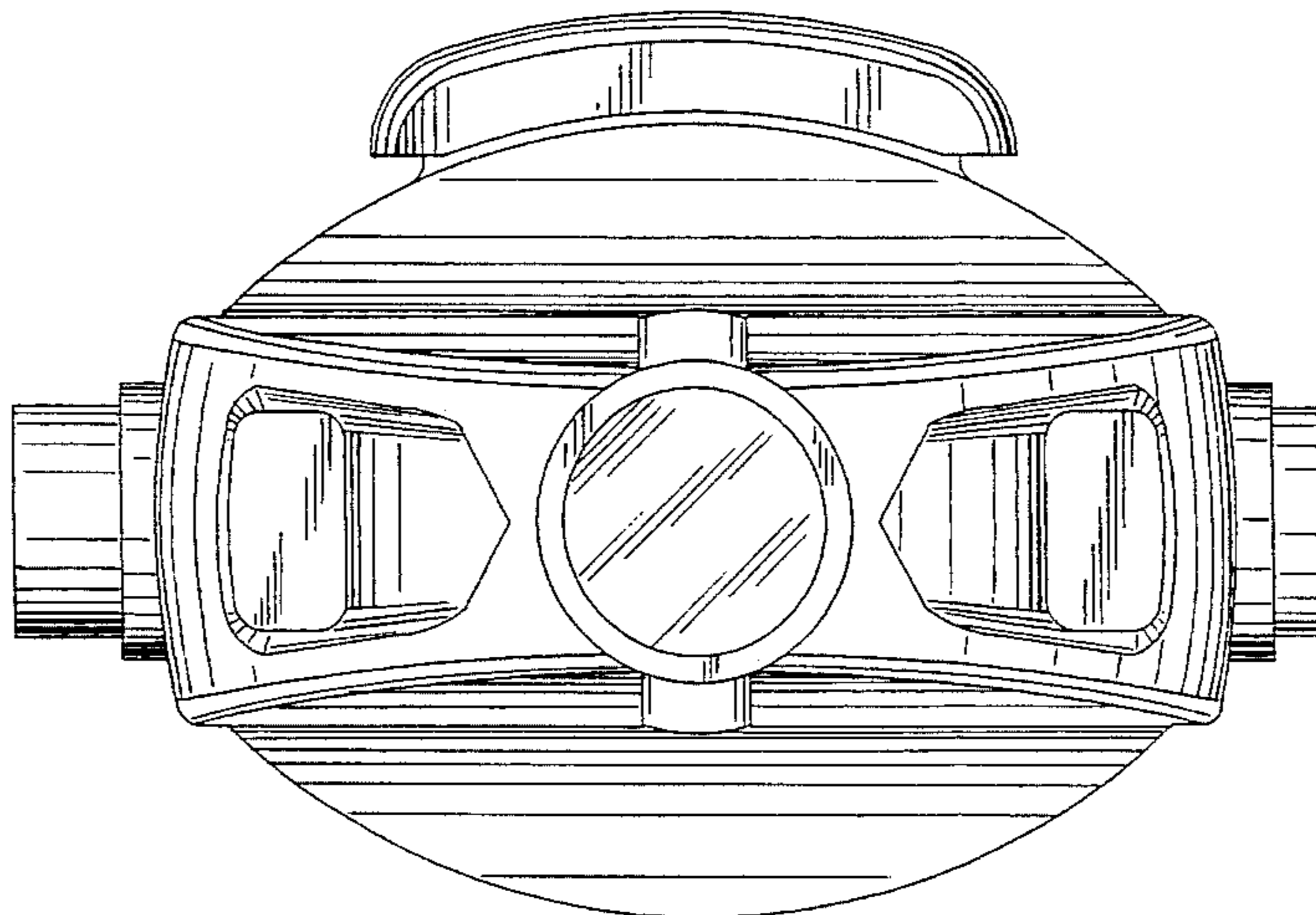
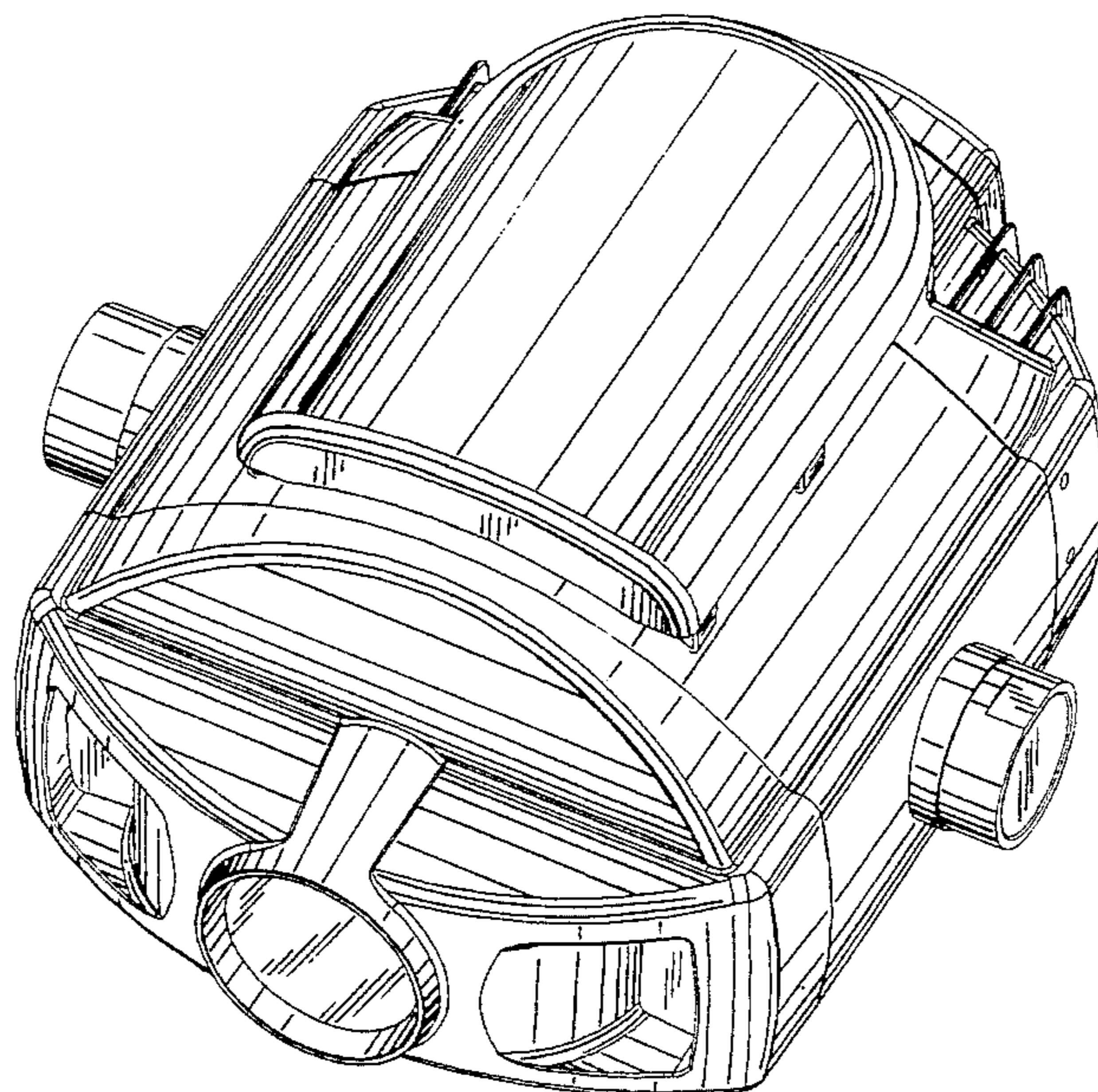
FIG. 7 is the bottom view thereof.

[56] References Cited

U.S. PATENT DOCUMENTS

D. 291,925 9/1987 Dacanay D26/61

1 Claim, 7 Drawing Sheets



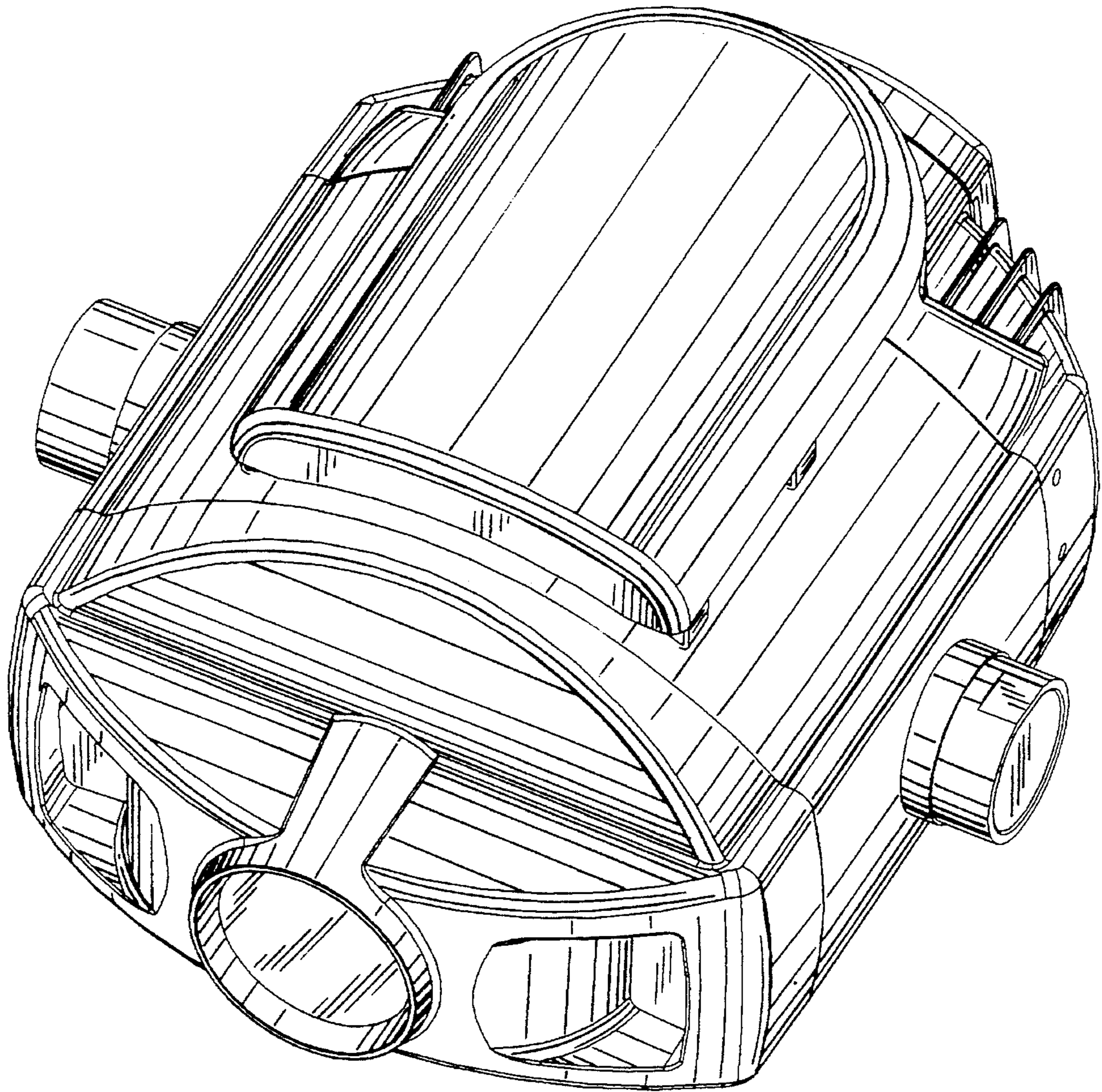


FIG. 1

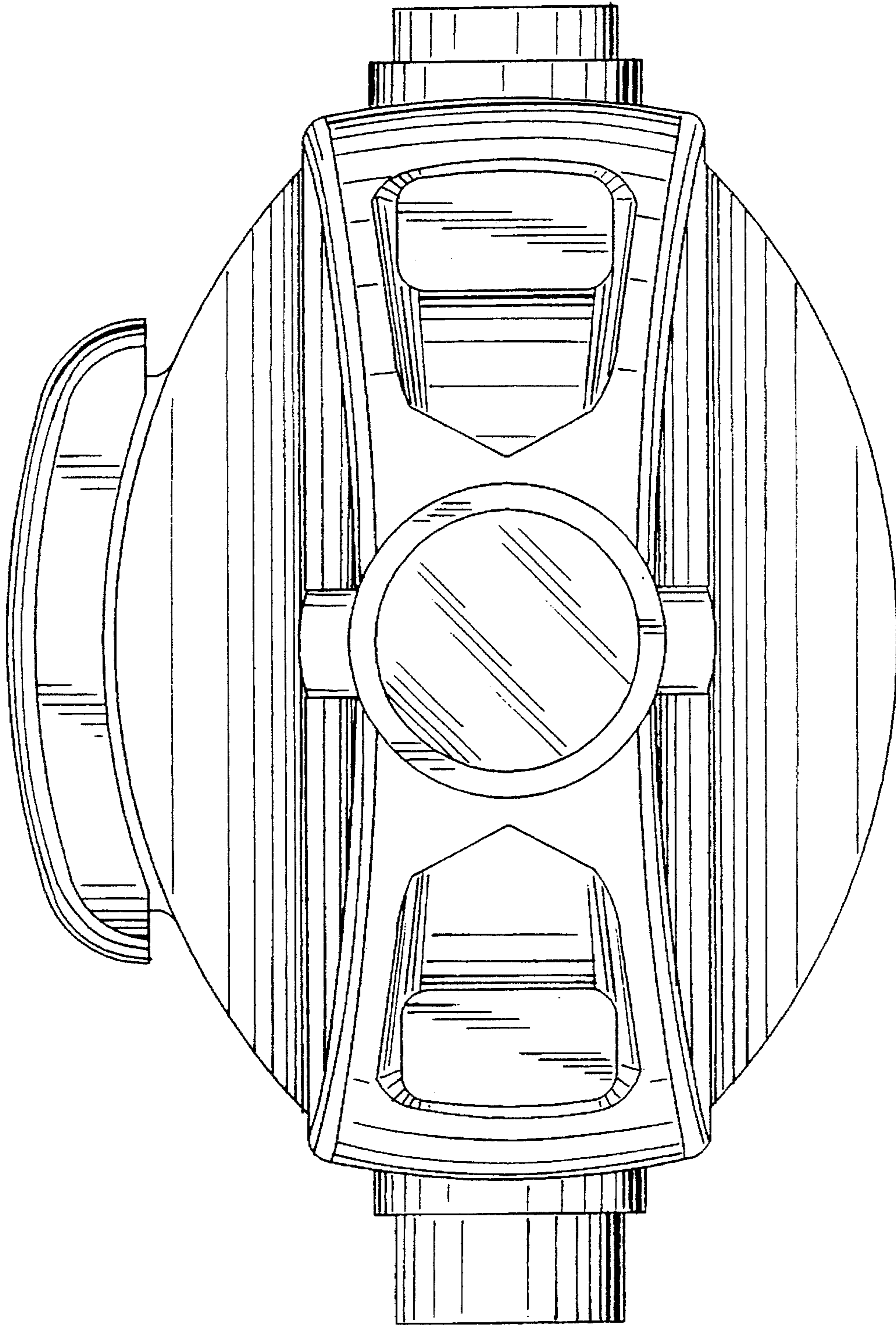


FIG. 2

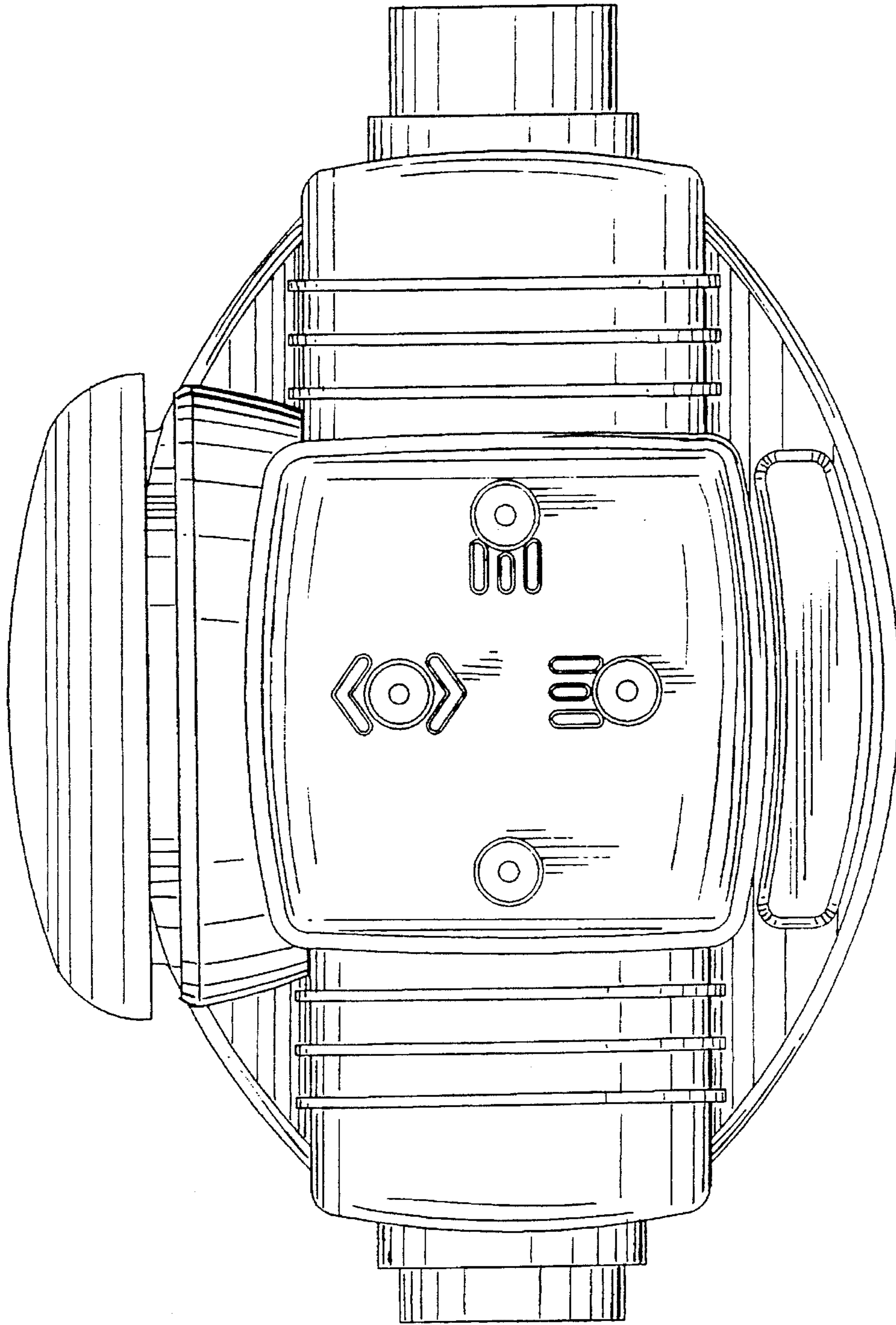


FIG. 3

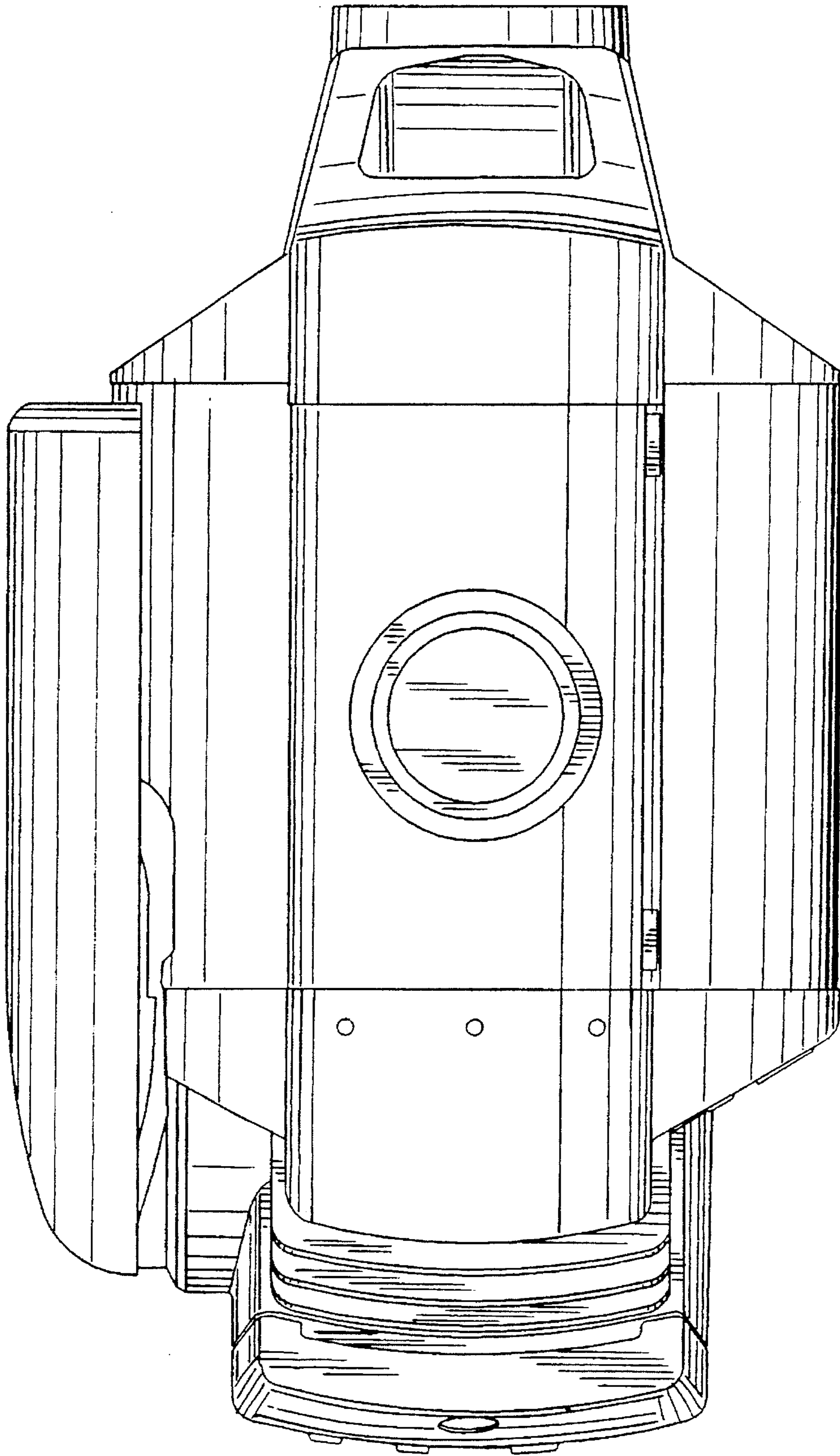


FIG. 4

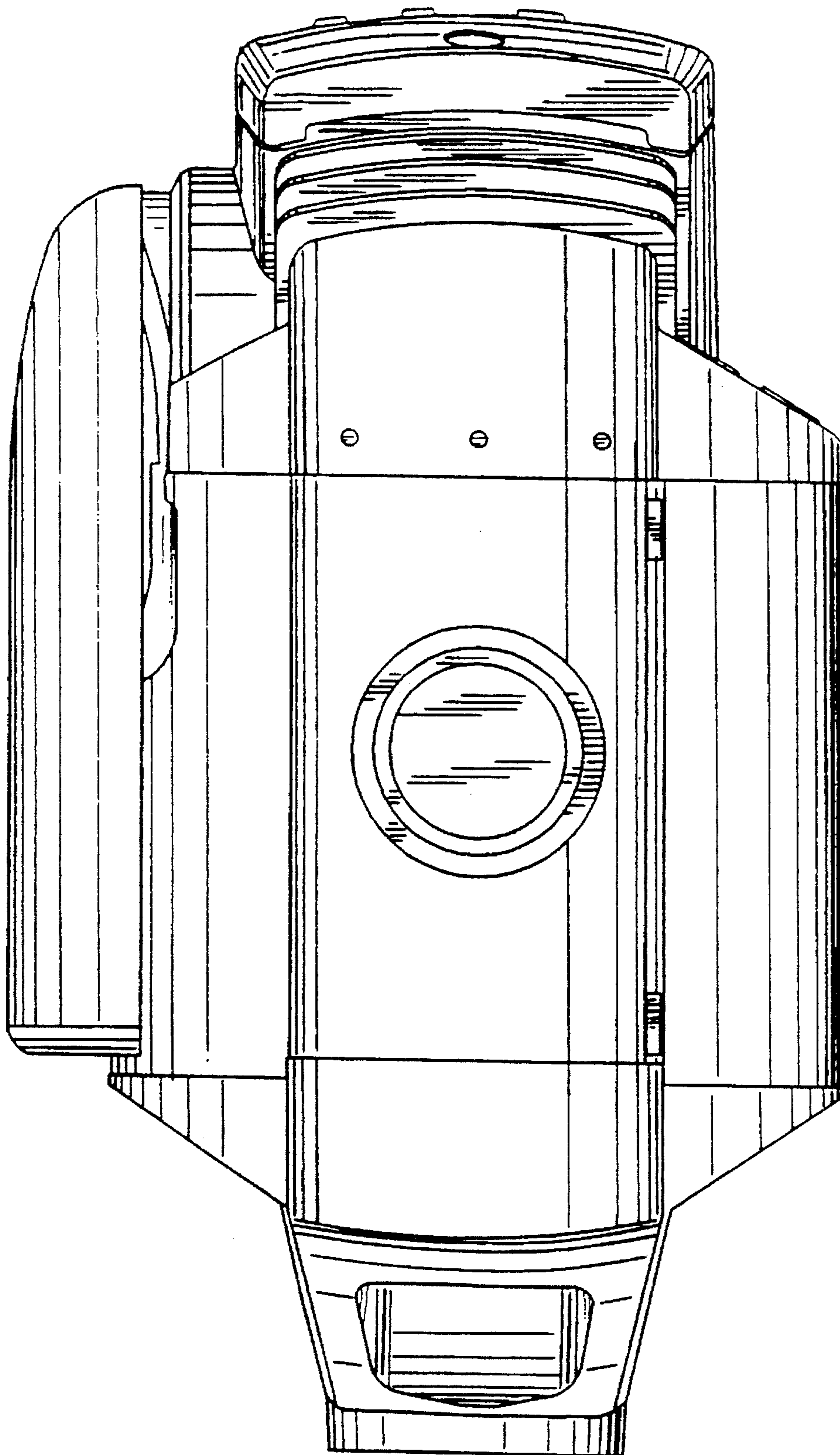


FIG. 5

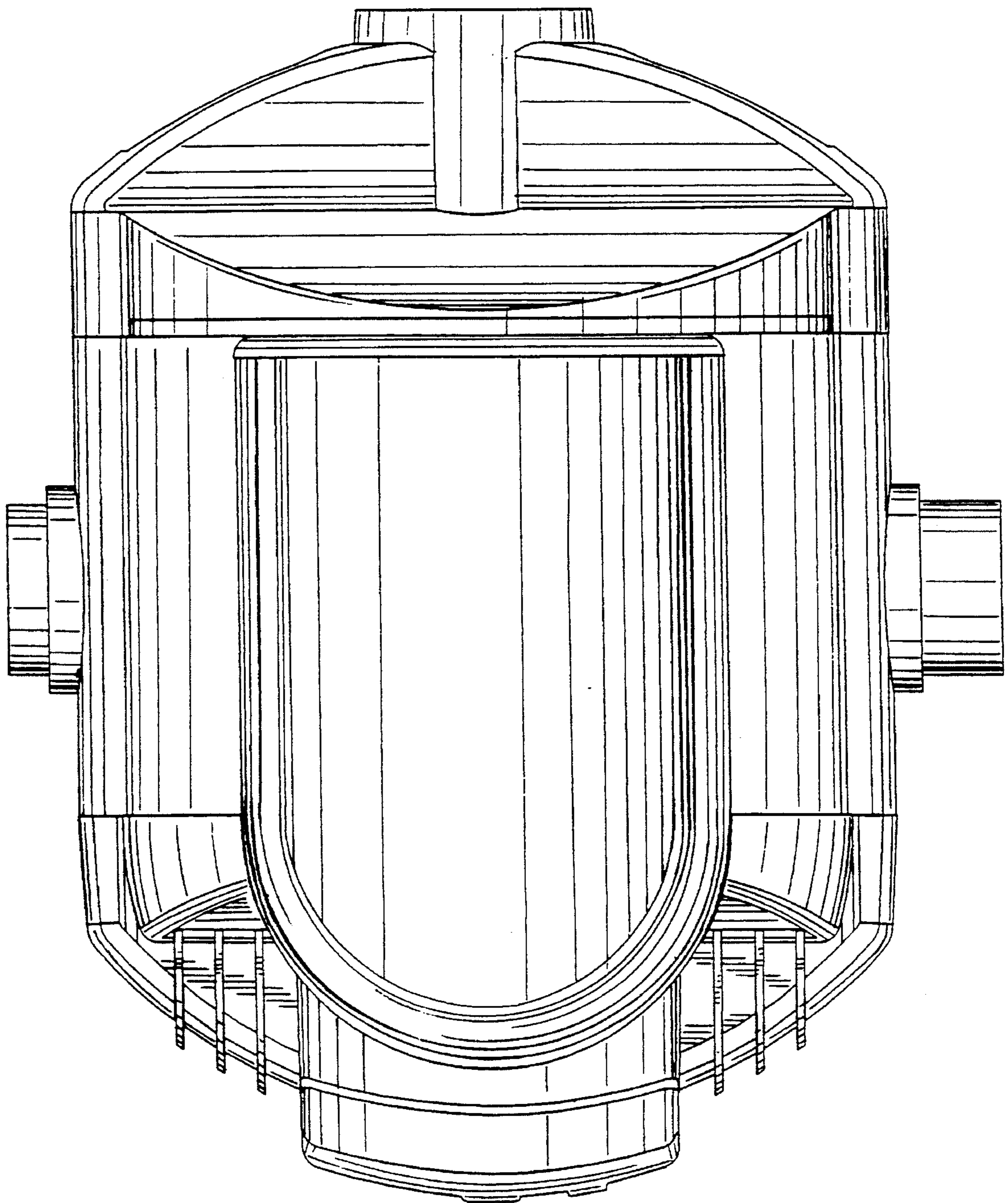


FIG. 6

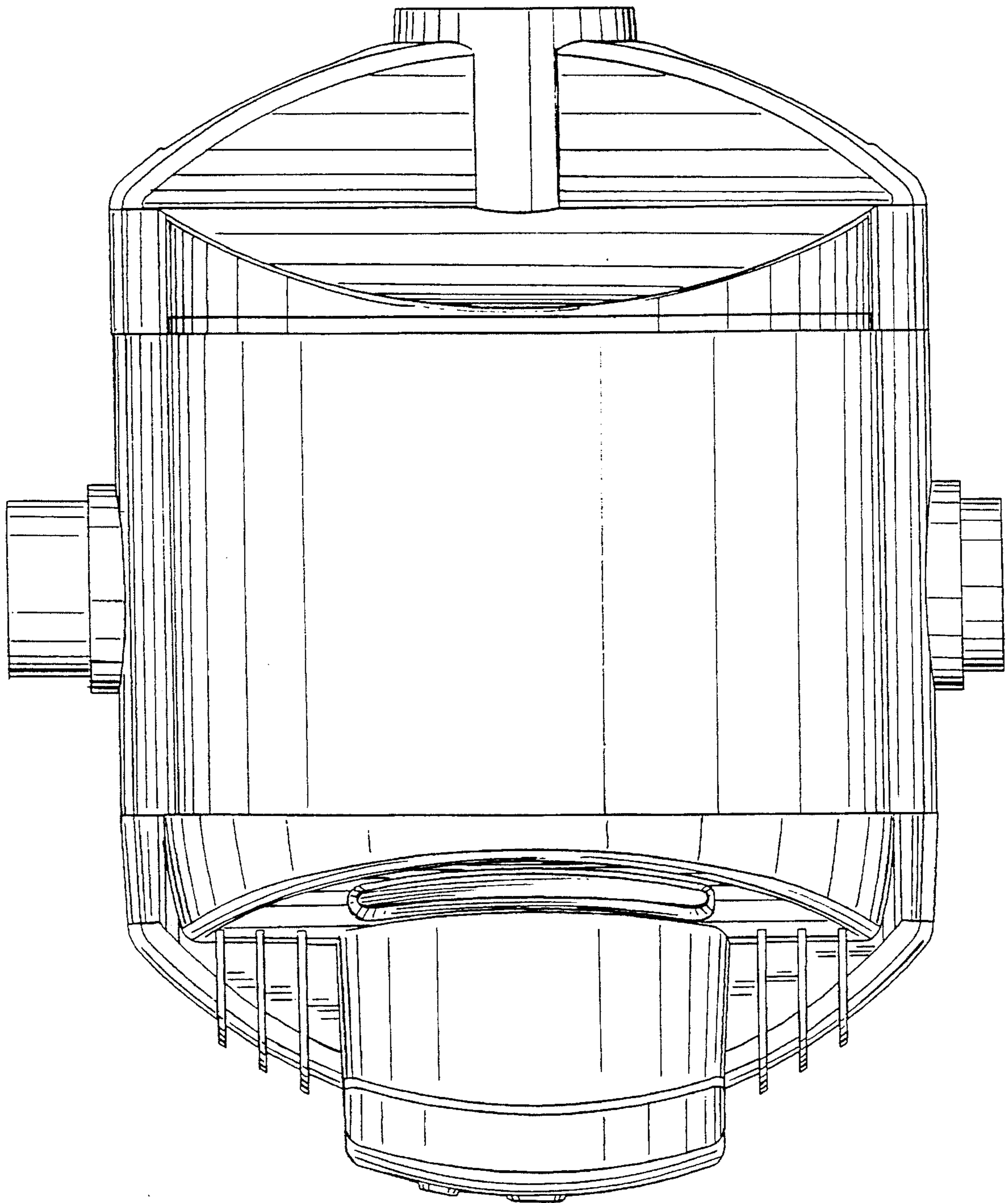


FIG. 7