



US00D366709S

United States Patent [19]
Szmanski

[11] **Patent Number:** **Des. 366,709**

[45] **Date of Patent:** ****Jan. 30, 1996**

[54] **FLASHLIGHT WITH FLEXIBLE BODY**

4,903,178 2/1990 Englot et al. 362/199 X
5,385,500 1/1995 Schmidt 362/189 X

[75] Inventor: **Aaron Szmanski**, Bristol, Conn.

FOREIGN PATENT DOCUMENTS

[73] Assignee: **Black & Decker Inc.**, Newark, Del.

685931 8/1986 Japan D26/43

[**] Term: **14 Years**

Primary Examiner—Susan J. Lucas
Attorney, Agent, or Firm—Barry E. Deutsch

[21] Appl. No.: **36,058**

[57] **CLAIM**

[22] Filed: **Mar. 13, 1995**

The ornamental design for a flashlight with flexible body, as shown and described.

[52] U.S. Cl. **D26/43**

[58] **Field of Search** D26/37, 43, 44,
D26/46, 49, 60, 62; 362/157, 158, 184,
188, 189, 191, 198, 199, 200, 396

DESCRIPTION

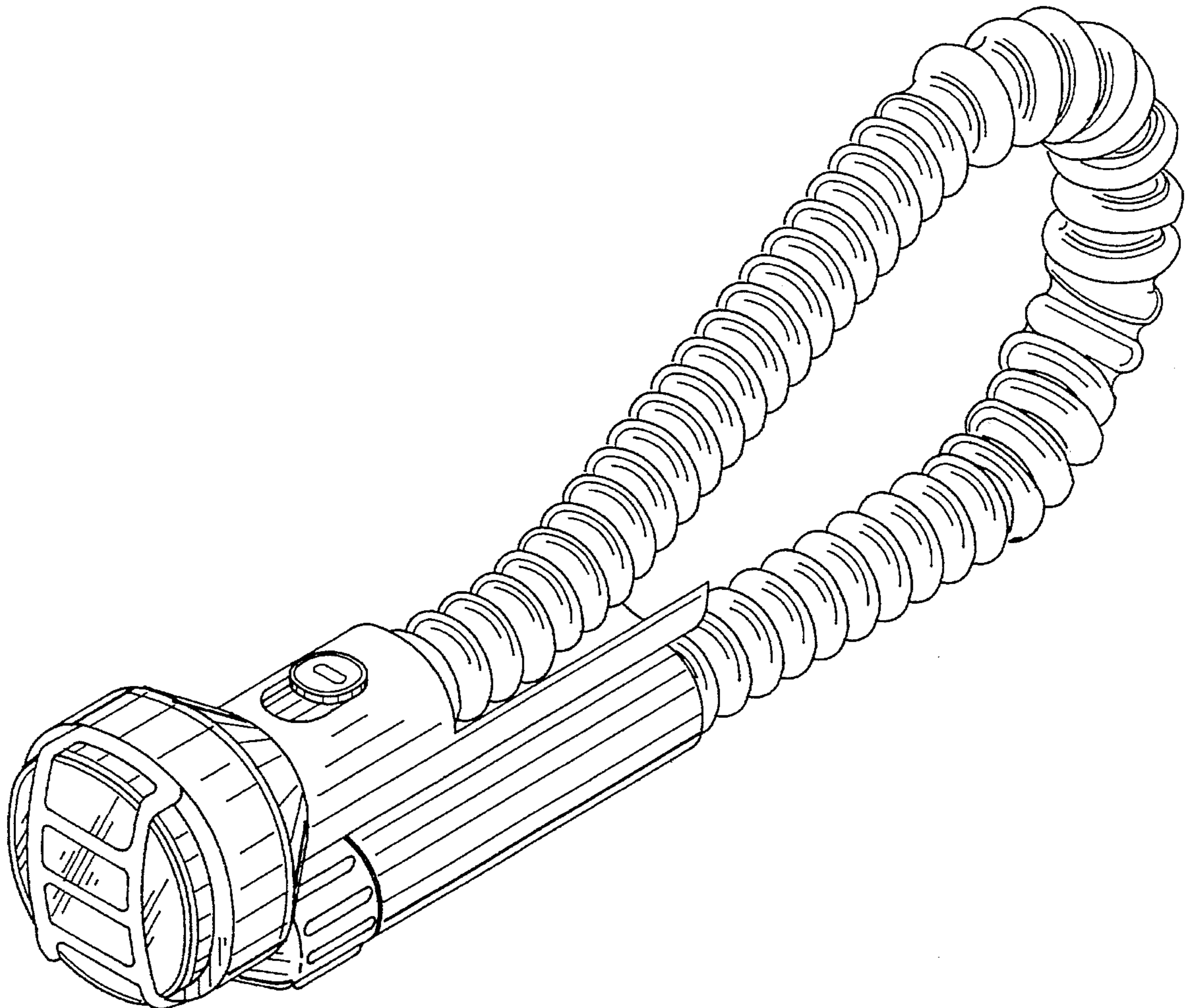
[56] **References Cited**

FIG. 1 is a perspective view taken from the front, top and right side of a flashlight with flexible body;
FIG. 2 is a right side elevational view thereof;
FIG. 3 is a left side elevational view thereof;
FIG. 4 is a front elevational view thereof;
FIG. 5 is a rear elevational view thereof;
FIG. 6 is a top plan view thereof; and,
FIG. 7 is a bottom plan view thereof.

U.S. PATENT DOCUMENTS

D. 314,246	1/1991	Bache	D26/62
D. 328,146	7/1992	Sinsteden	D26/49
D. 337,839	7/1993	Zeller	D26/43
D. 345,811	4/1994	Van Deursen et al.	D26/46
1,516,364	11/1924	Weeks	362/255
1,692,394	11/1928	Sundh	362/198
3,111,277	11/1963	Grimsley	D26/43 X

1 Claim, 3 Drawing Sheets



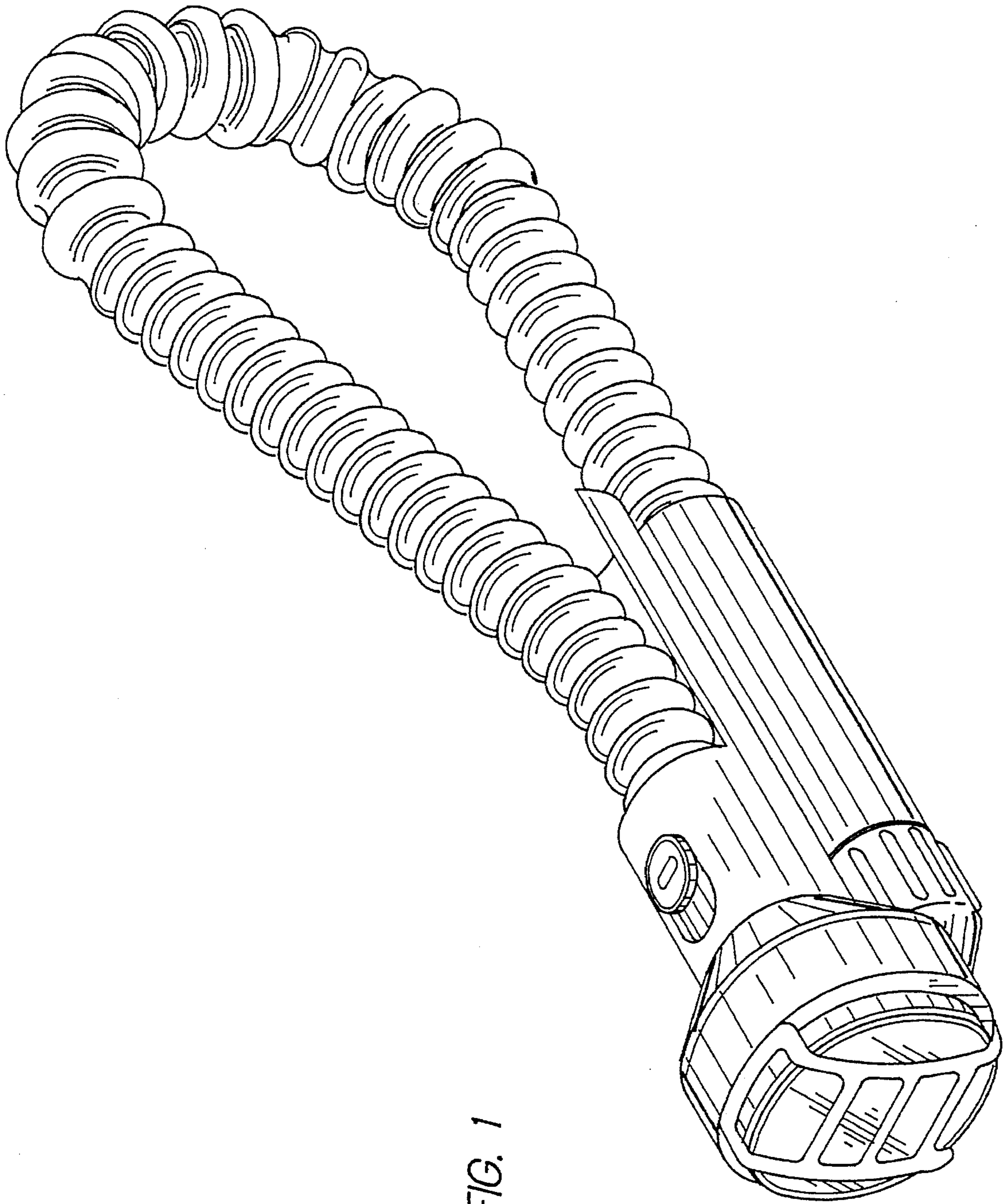


FIG. 1

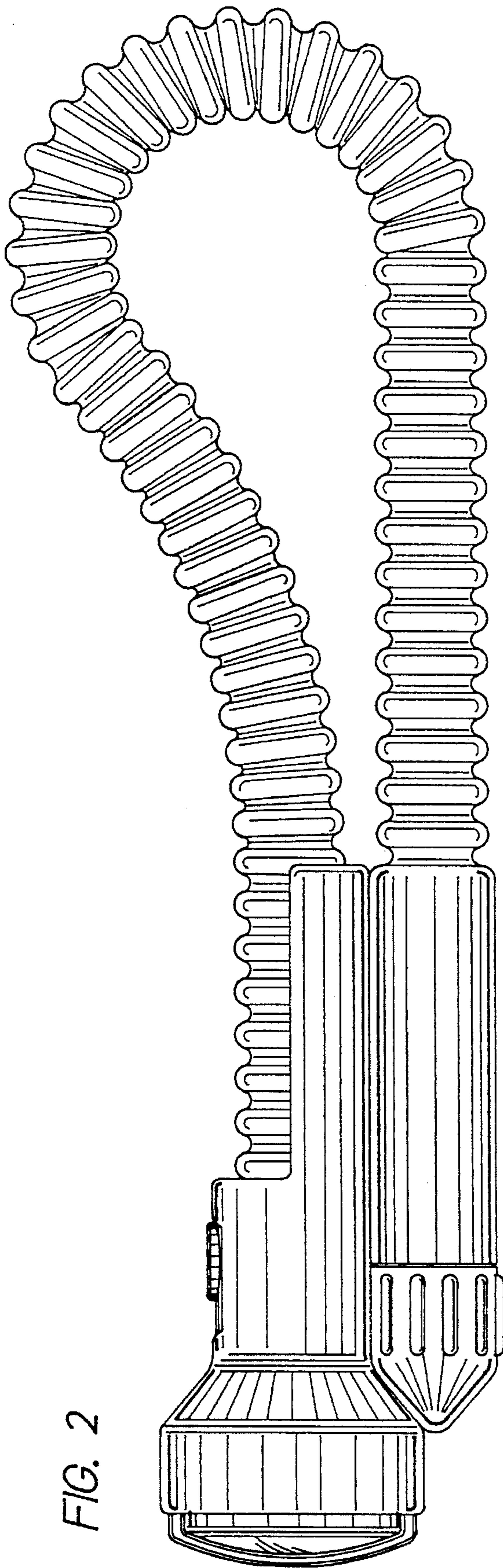


FIG. 2

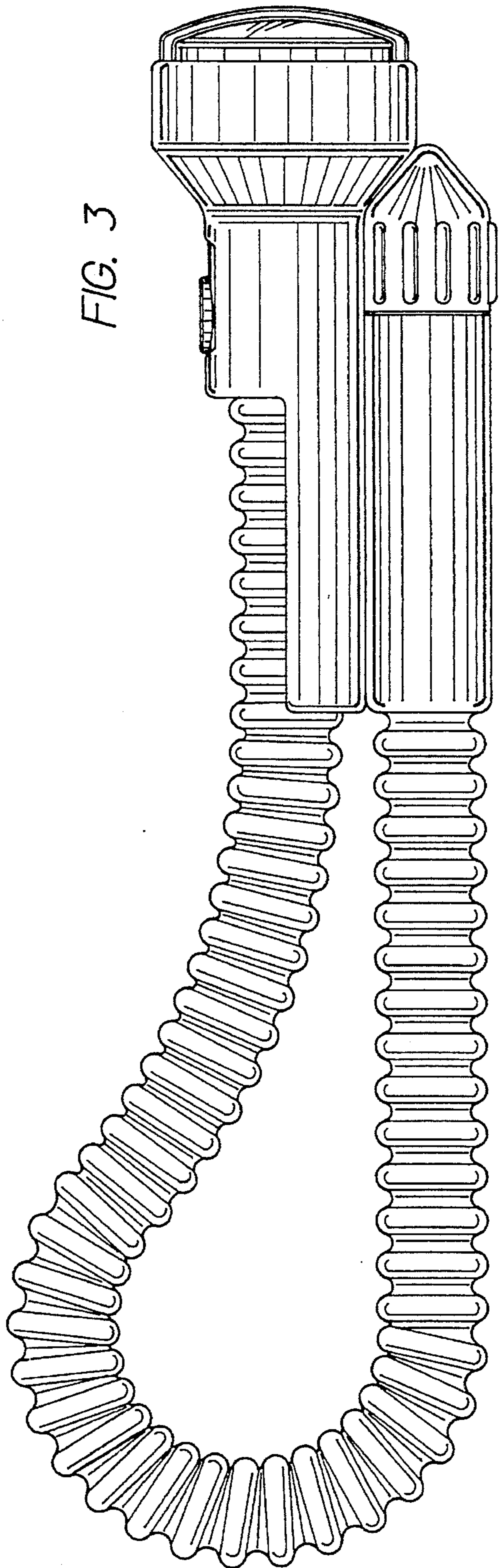


FIG. 3

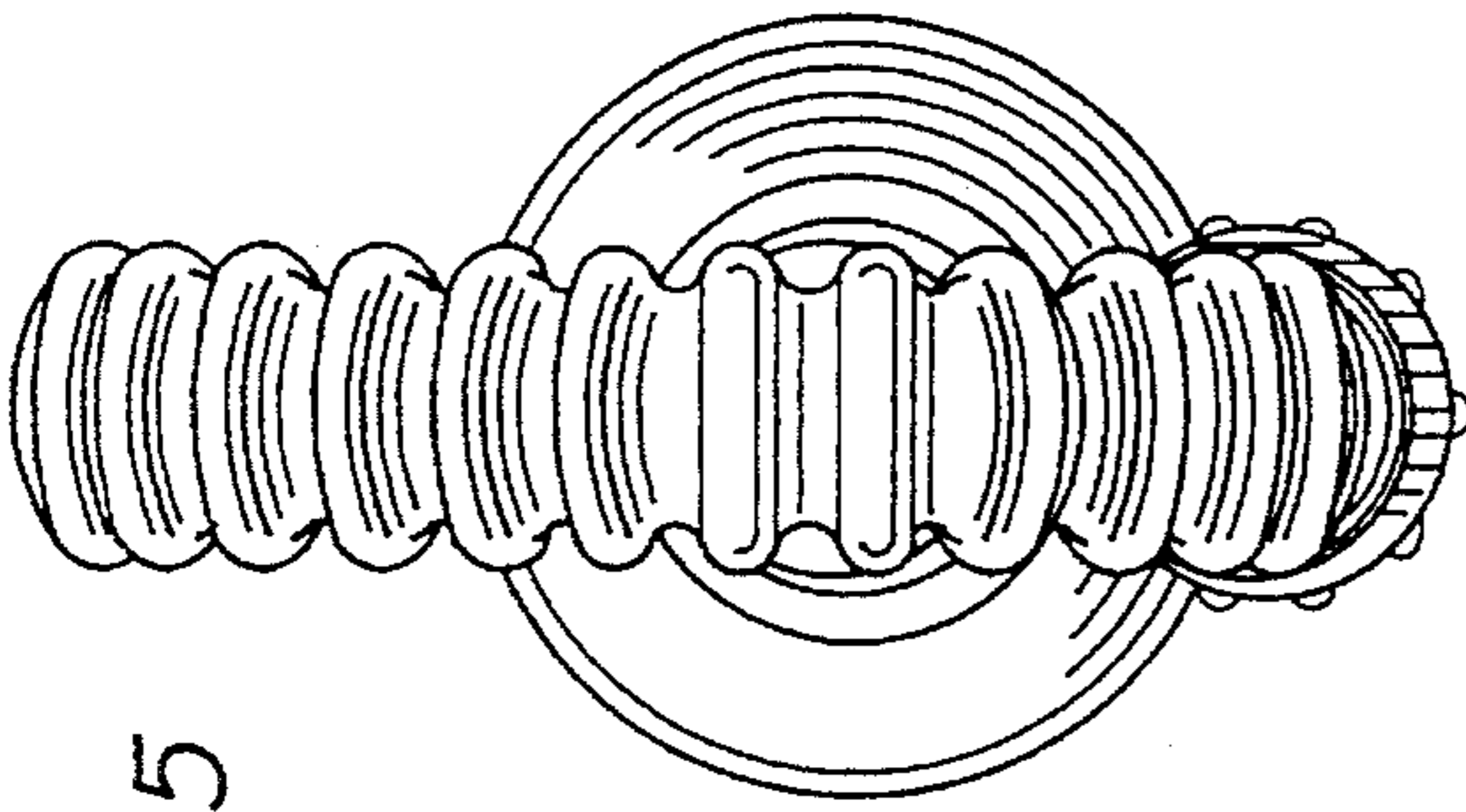


FIG. 5

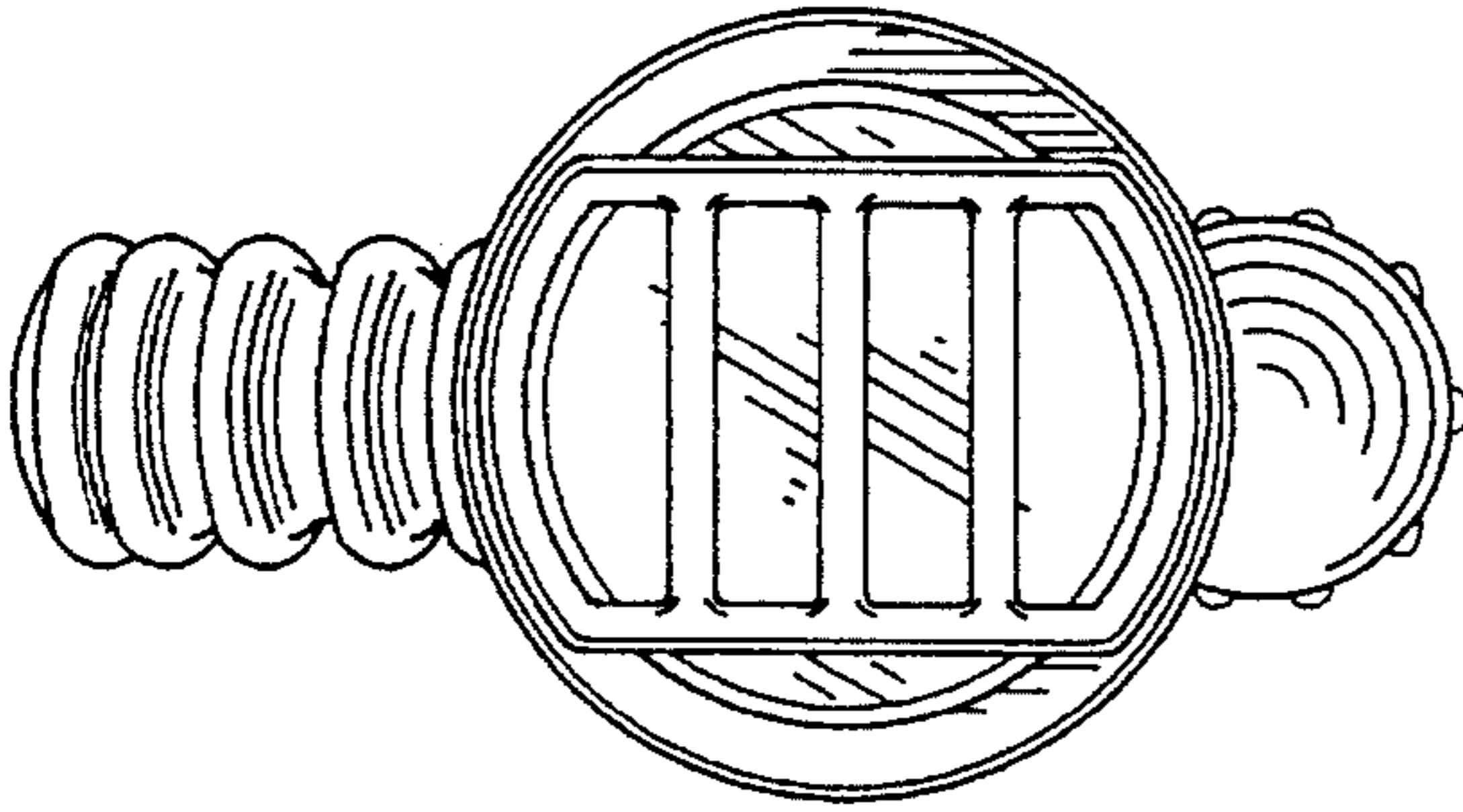


FIG. 4

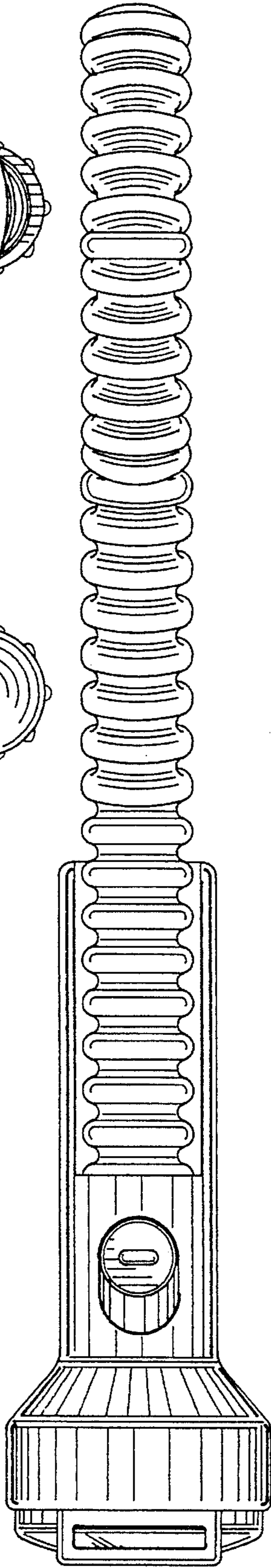


FIG. 6

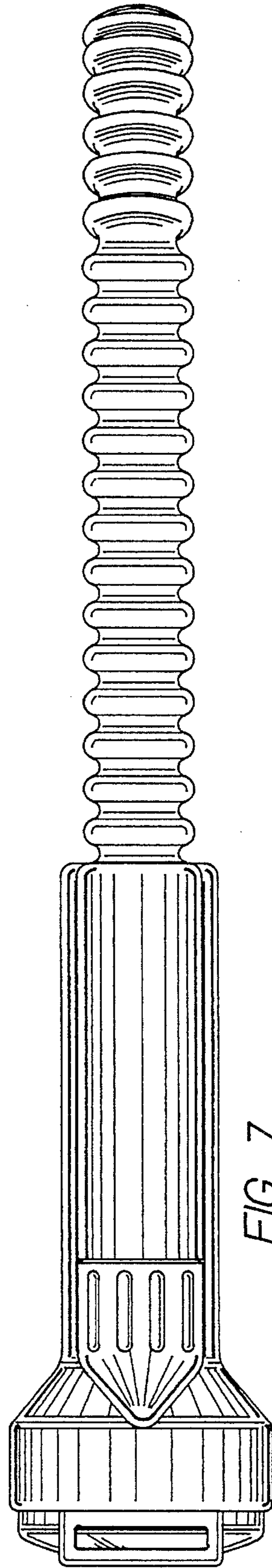


FIG. 7