



US00D366708S

**United States Patent** [19]  
**Santarsiero**

[11] **Patent Number: Des. 366,708**  
[45] **Date of Patent: \*\*Jan. 30, 1996**

[54] **FLASHLIGHT WITH FLEXIBLE BODY**

[75] Inventor: **Paul S. Santarsiero**, Avon, Conn.

[73] Assignee: **Black & Decker Inc.**, Newark, Del.

[\*\*] Term: **14 Years**

[21] Appl. No.: **35,656**

[22] Filed: **Mar. 3, 1995**

[52] U.S. Cl. .... **D26/43**

[58] **Field of Search** ..... D26/37, 43, 44,  
D26/46, 49, 60, 62; 362/157, 158, 184,  
188, 189, 191, 198, 199, 200, 396

[56] **References Cited**

**U.S. PATENT DOCUMENTS**

|            |         |                    |           |
|------------|---------|--------------------|-----------|
| D. 314,246 | 1/1991  | Bache .....        | D26/62    |
| D. 337,839 | 7/1993  | Zeller .....       | D26/43    |
| 2,679,575  | 5/1954  | Haberstump .....   | 362/191 X |
| 3,111,277  | 11/1963 | Grimsley .....     | D26/43    |
| 4,903,178  | 2/1990  | Englot et al. .... | 362/199 X |
| 5,385,500  | 1/1995  | Schmidt .....      | 362/189 X |

**FOREIGN PATENT DOCUMENTS**

685931 8/1986 Japan ..... D26/43

*Primary Examiner*—Susan J. Lucas  
*Attorney, Agent, or Firm*—Barry E. Deutsch

[57] **CLAIM**

The ornamental design for a flashlight with flexible body, as shown and described.

**DESCRIPTION**

FIG. 1 is a perspective view taken from the front, top and right side of a flashlight with flexible body illustrating my new design;

FIG. 2 is a right side elevational view thereof;

FIG. 3 is a left side elevational view thereof;

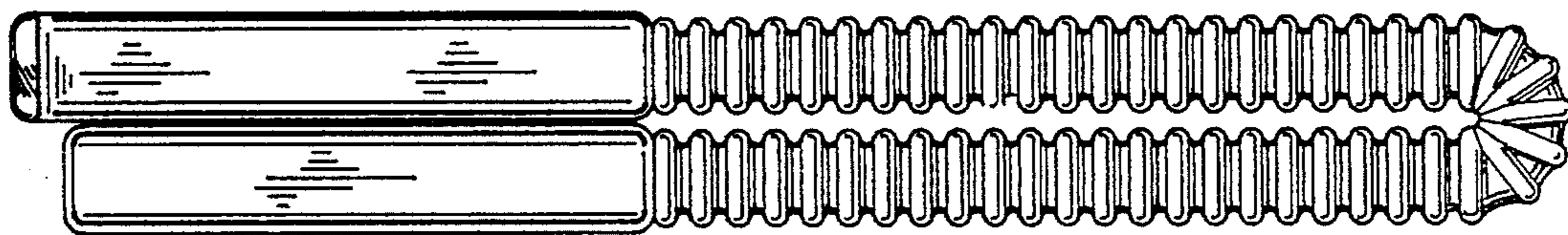
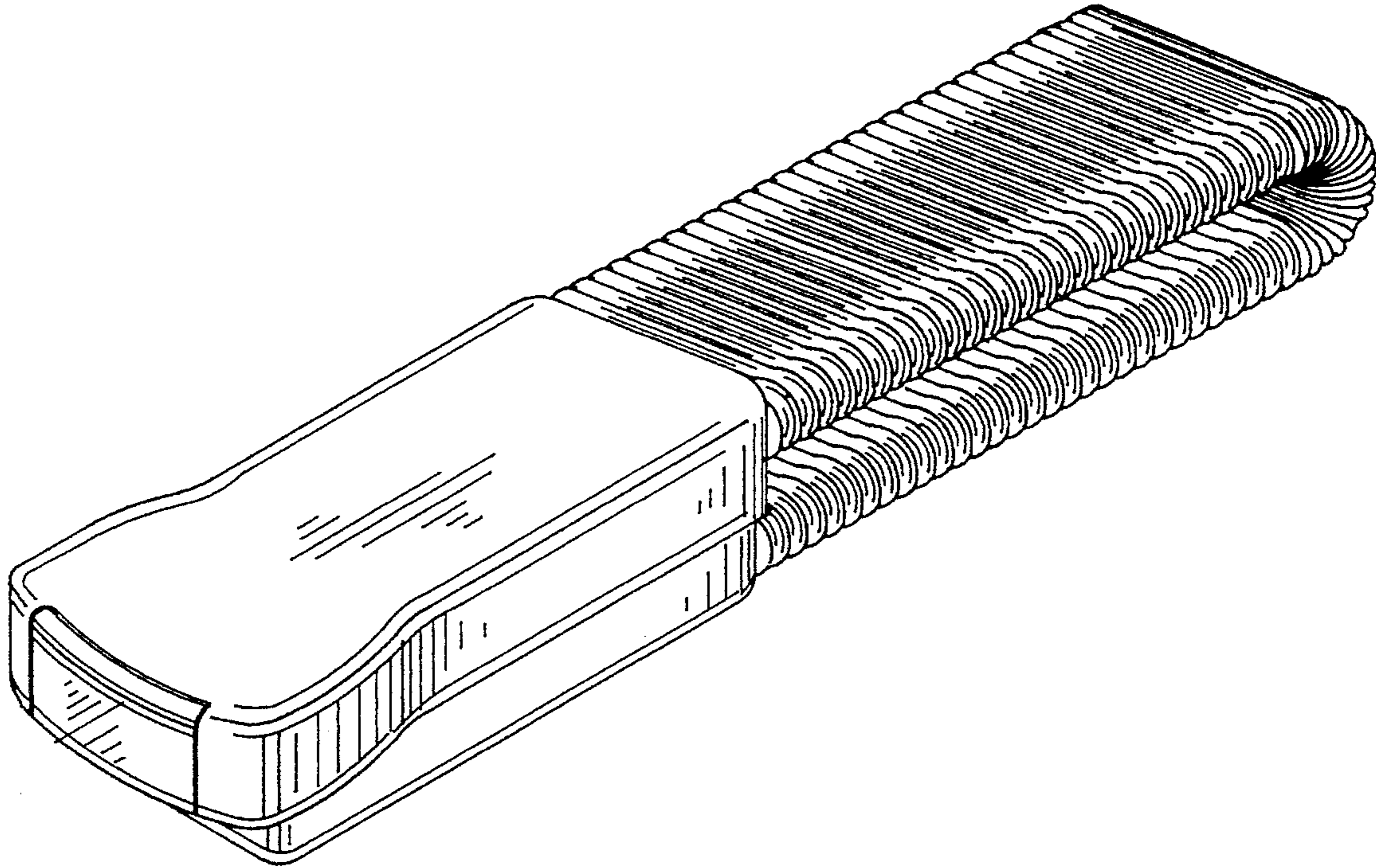
FIG. 4 is a front elevational view thereof;

FIG. 5 is a rear elevational view thereof;

FIG. 6 is a top plan view thereof; and,

FIG. 7 is a bottom plan view thereof.

**1 Claim, 2 Drawing Sheets**



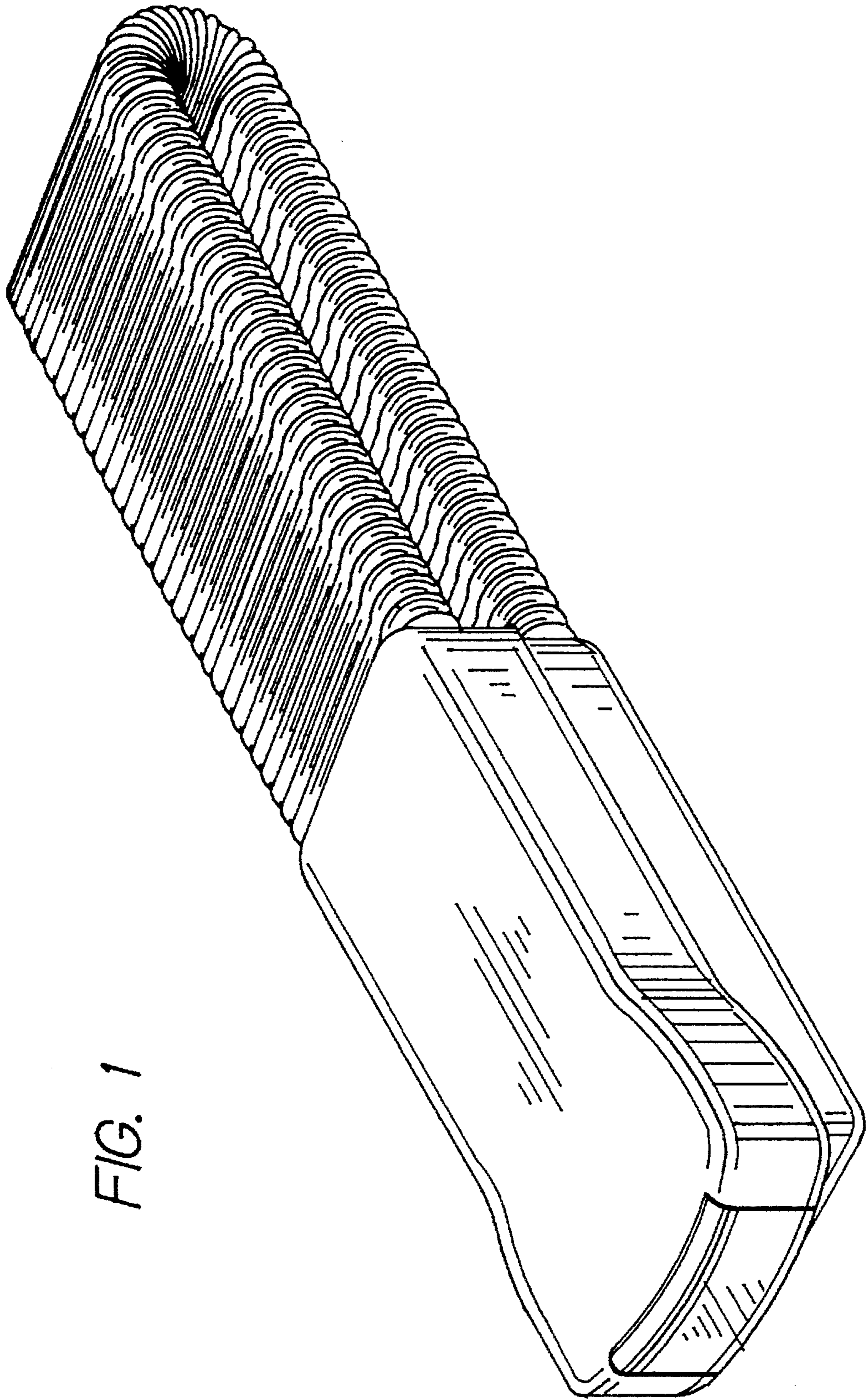


FIG. 1

FIG. 2

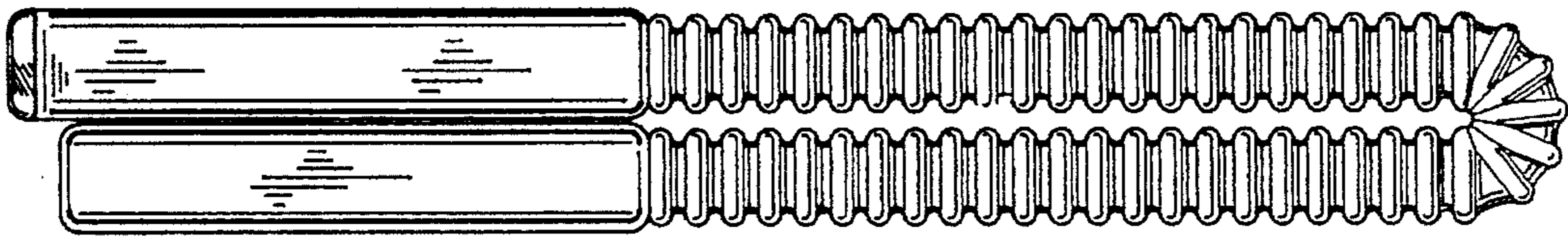


FIG. 3

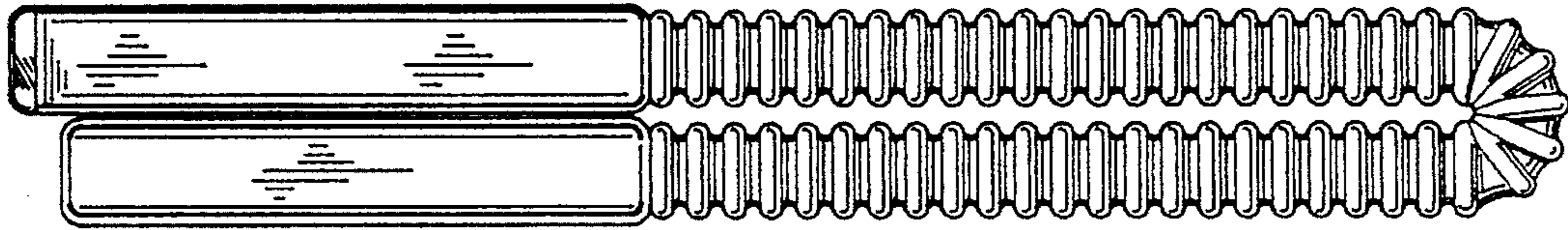


FIG. 4

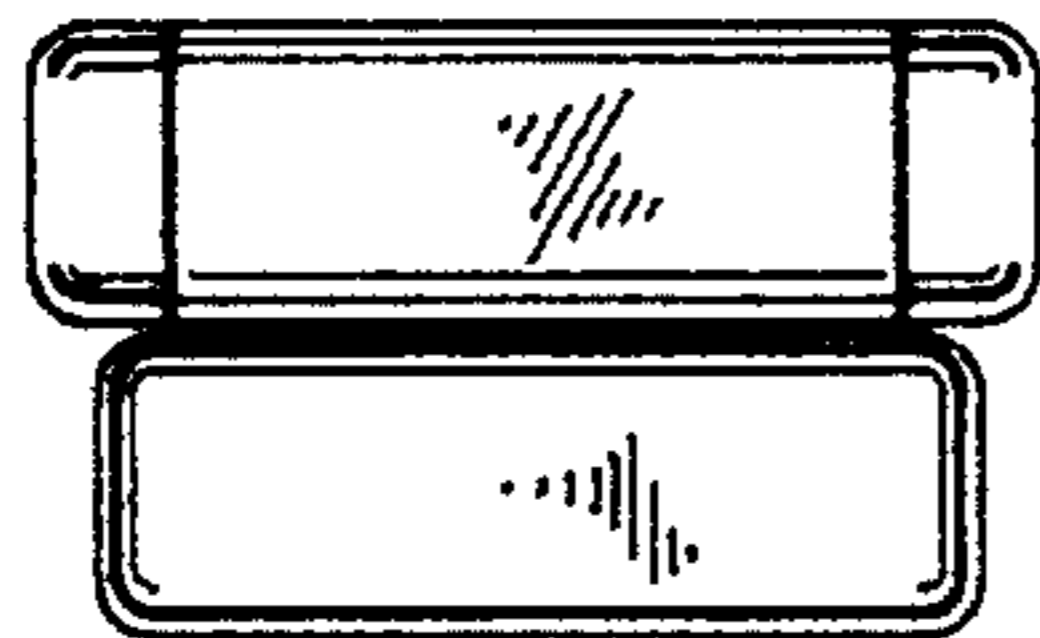


FIG. 5

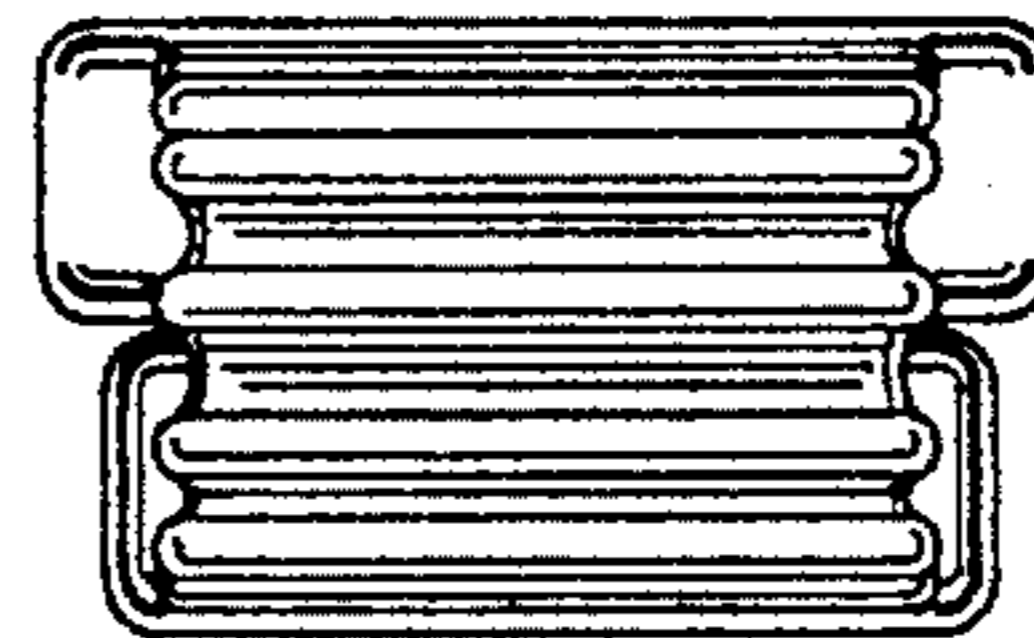


FIG. 6

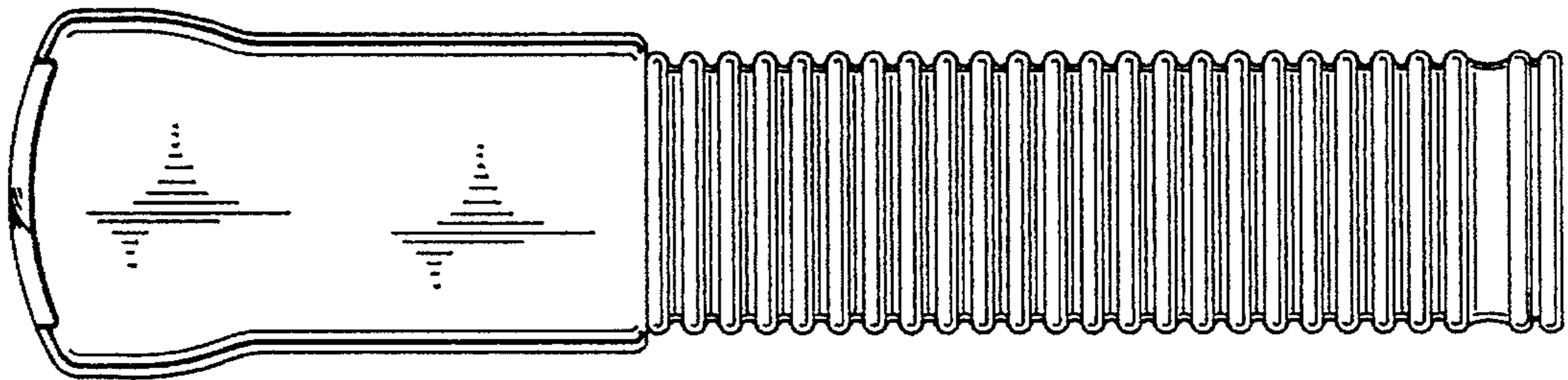


FIG. 7

