



US00D366707S

United States Patent [19]
Kaiser

[11] **Patent Number: Des. 366,707**
[45] **Date of Patent: **Jan. 30, 1996**

[54] **FLEXIBLE FLASHLIGHT**
[75] Inventor: **David W. Kaiser**, North Haven, Conn.
[73] Assignee: **Black & Decker Inc.**, Newark, Del.
[**] Term: **14 Years**
[21] Appl. No.: **35,076**
[22] Filed: **Feb. 21, 1995**
[52] U.S. Cl. **D26/43**
[58] **Field of Search** D26/37, 43, 44,
D26/46, 49, 60, 62; 362/157, 158, 184,
188, 189, 191, 198, 199, 200, 396

5,385,500 1/1995 Schmidt 362/189 X

FOREIGN PATENT DOCUMENTS

685931 8/1986 Japan D26/43 X

Primary Examiner—Susan J. Lucas
Attorney, Agent, or Firm—Barry E. Deutsch

[57] **CLAIM**

The ornamental design for a flexible flashlight, as shown and described.

DESCRIPTION

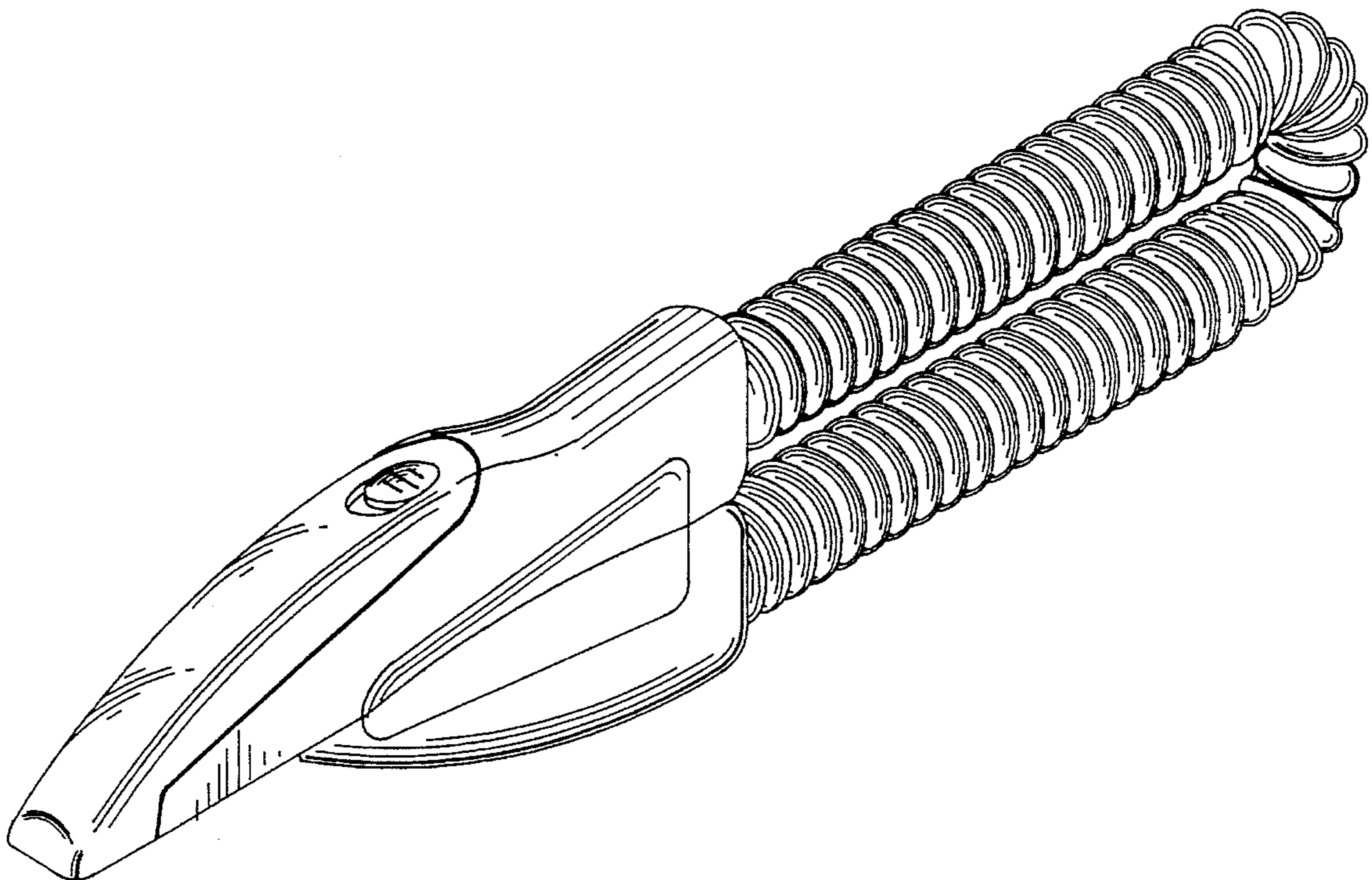
FIG. 1 is a perspective view taken from the front, right, and top of a flexible flashlight illustrating my new design; FIG. 2 is a right side elevational view thereof; FIG. 3 is a left side elevational view thereof; FIG. 4 is a front elevational view thereof; FIG. 5 is a rear elevational view thereof; FIG. 6 is a top plan view thereof; and, FIG. 7 is a bottom plan view thereof.

[56] **References Cited**

U.S. PATENT DOCUMENTS

D. 314,246 1/1991 Bache D26/62
D. 328,146 7/1992 Sinsteden D26/49
D. 337,839 7/1993 Zeller D26/43
3,111,277 11/1963 Grimsley D26/43 X
4,903,178 2/1990 Englot et al. 362/199 X

1 Claim, 3 Drawing Sheets



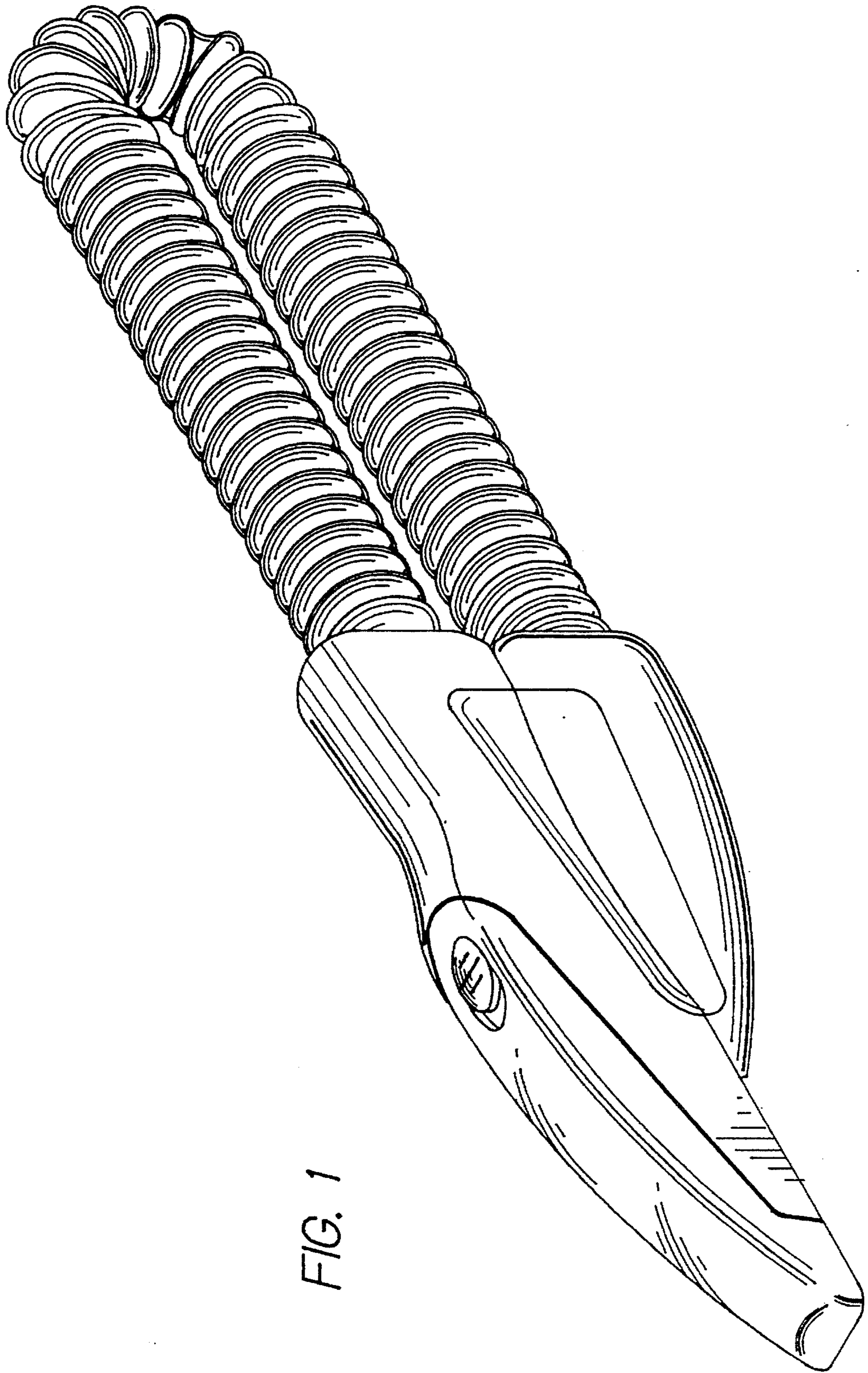


FIG. 1

FIG. 2

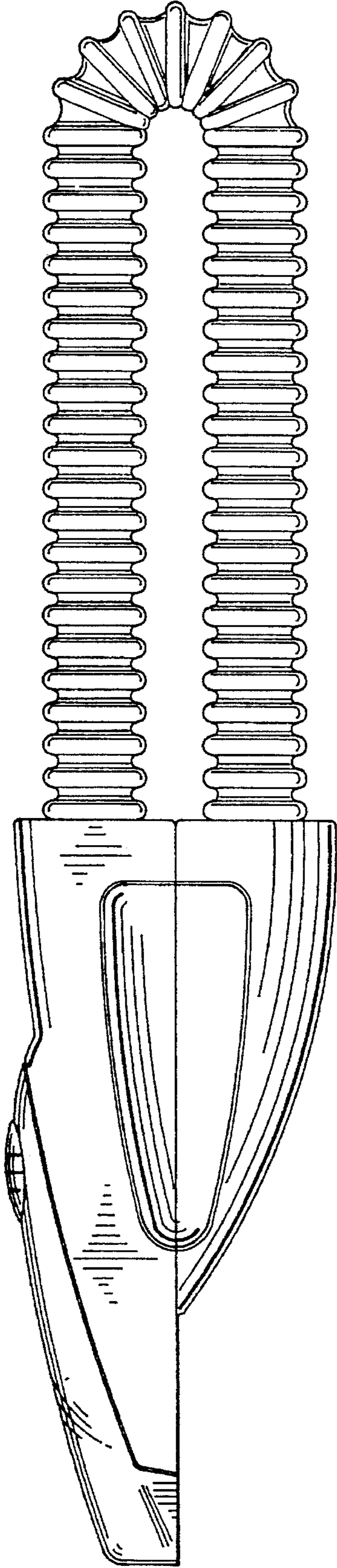


FIG. 3

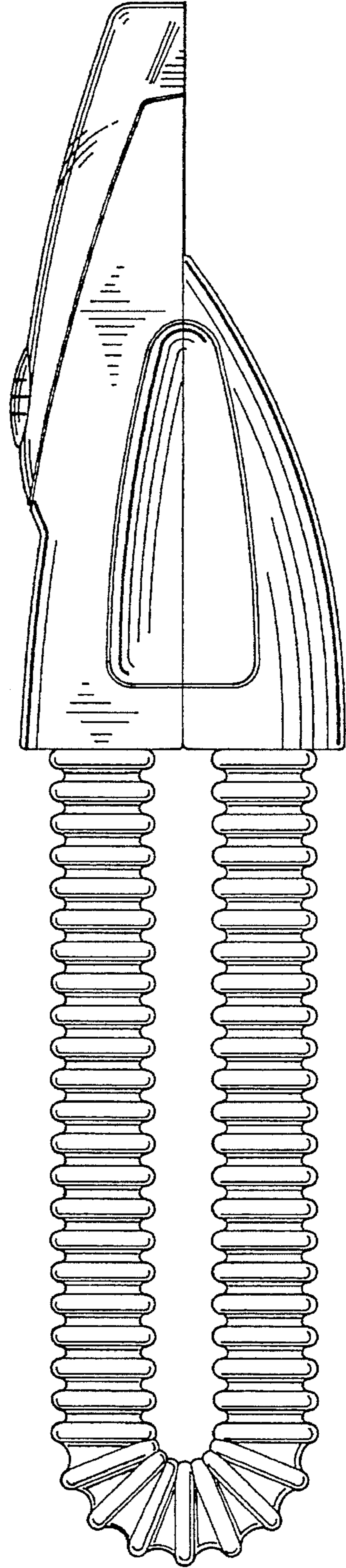


FIG. 4

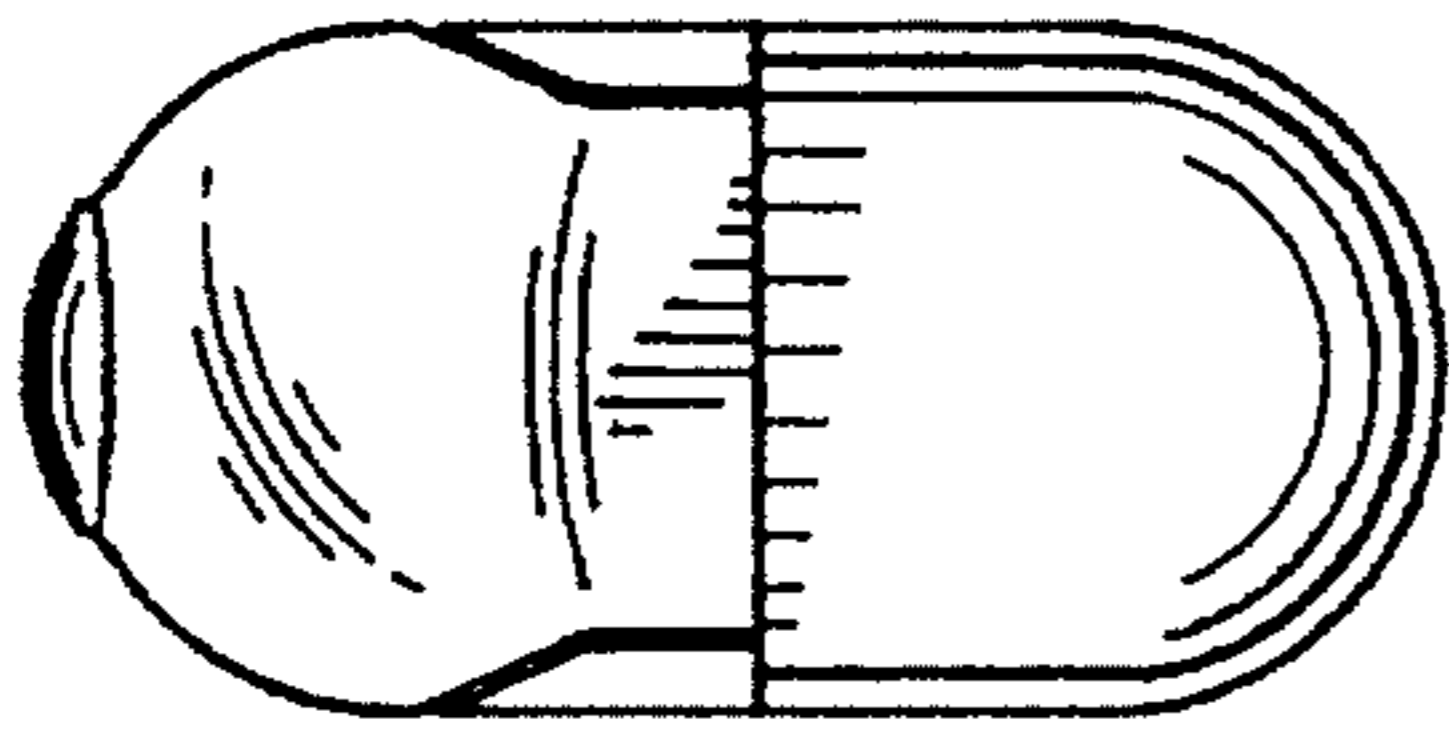


FIG. 5

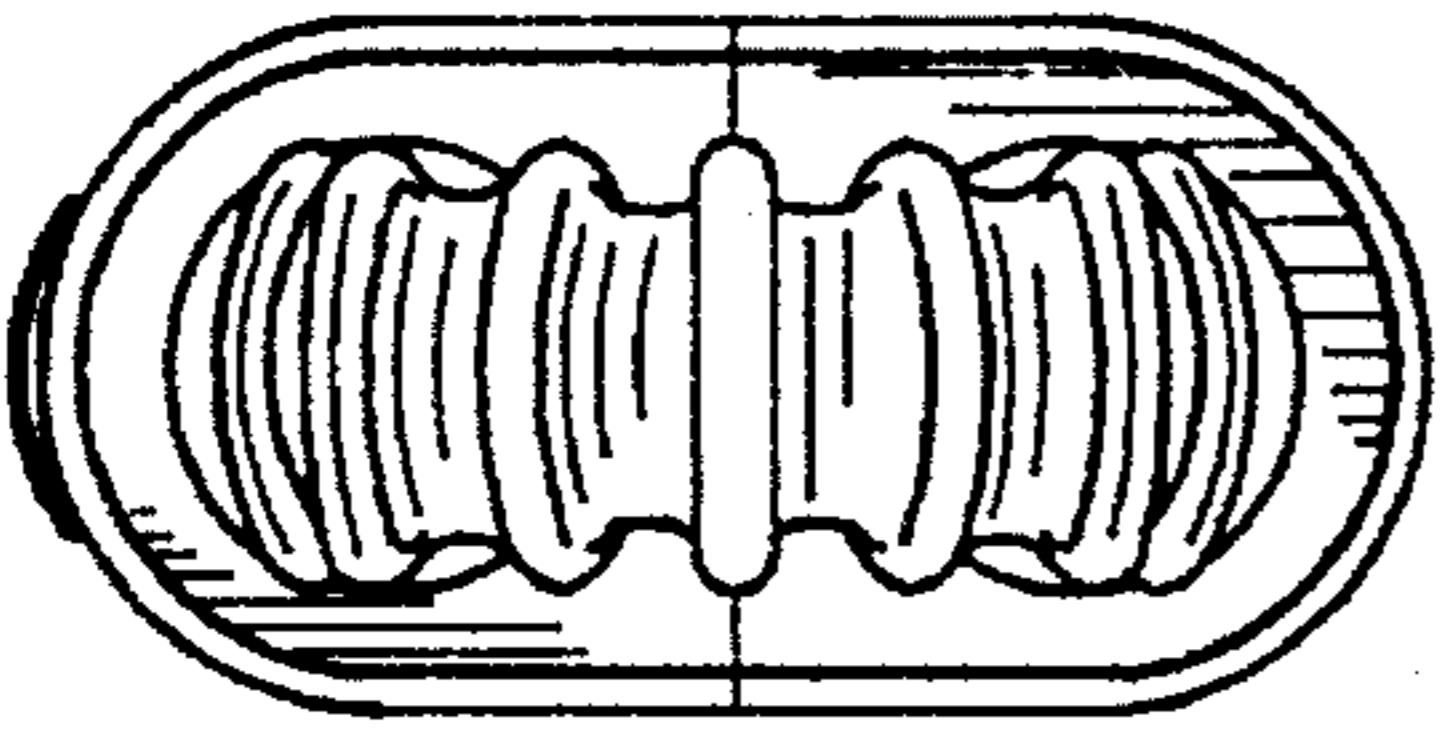


FIG. 6

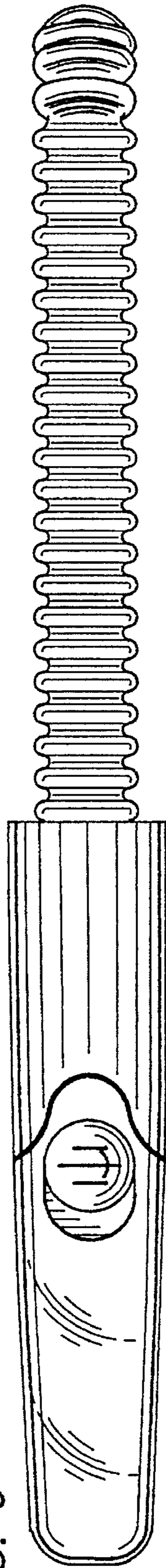


FIG. 7

