



US00D366702S

United States Patent [19]

Kirk, III et al.

[11] Patent Number: **Des. 366,702**

[45] Date of Patent: ****Jan. 30, 1996**

[54] **IONTOPHORETIC DRUG DELIVERY CONTROLLER**

[75] Inventors: **Karl D. Kirk, III**, New York, N.Y.;
James R. Toleman, Palo Alto, Calif.

[73] Assignee: **Becton Dickinson and Company**,
Franklin Lakes, N.J.

[**] Term: **14 Years**

[21] Appl. No.: **12,391**

[22] Filed: **Aug. 30, 1993**

[52] U.S. Cl. **D24/189**

[58] Field of Search D24/189; 604/20,
604/19

[56] **References Cited**

U.S. PATENT DOCUMENTS

D. 349,960	8/1994	Gyroroy et al.	D24/189
D. 352,113	11/1994	Ashley .	
D. 352,357	11/1994	Ashley .	
D. 352,782	11/1994	Kirk, III et al. .	
3,814,095	6/1974	Lubens .	
4,767,401	8/1988	Seiderman	604/20

4,820,263	4/1989	Spevak et al. .	
4,927,408	5/1990	Haak et al. .	
5,006,108	4/1991	LaPrade	604/20
5,037,381	8/1991	Bock et al. .	
5,084,008	1/1992	Phipps .	
5,246,418	9/1993	Haynes et al. .	
5,256,137	10/1993	Sage, Jr.	604/20

Primary Examiner—Stella Reid
Attorney, Agent, or Firm—Allen W. Wark

[57] **CLAIM**

The ornamental design for an iontophoretic drug delivery controller, as shown.

DESCRIPTION

FIG. 1 is a top perspective view of an iontophoretic drug delivery controller, showing our new design; FIG. 2 is a top plan view thereof; FIG. 3 is a front elevational view thereof; FIG. 4 is a side elevational view thereof the opposite side elevational view being identical thereto; FIG. 5 is a rear elevational view thereof; and, FIG. 6 is a bottom plan view thereof.

1 Claim, 2 Drawing Sheets

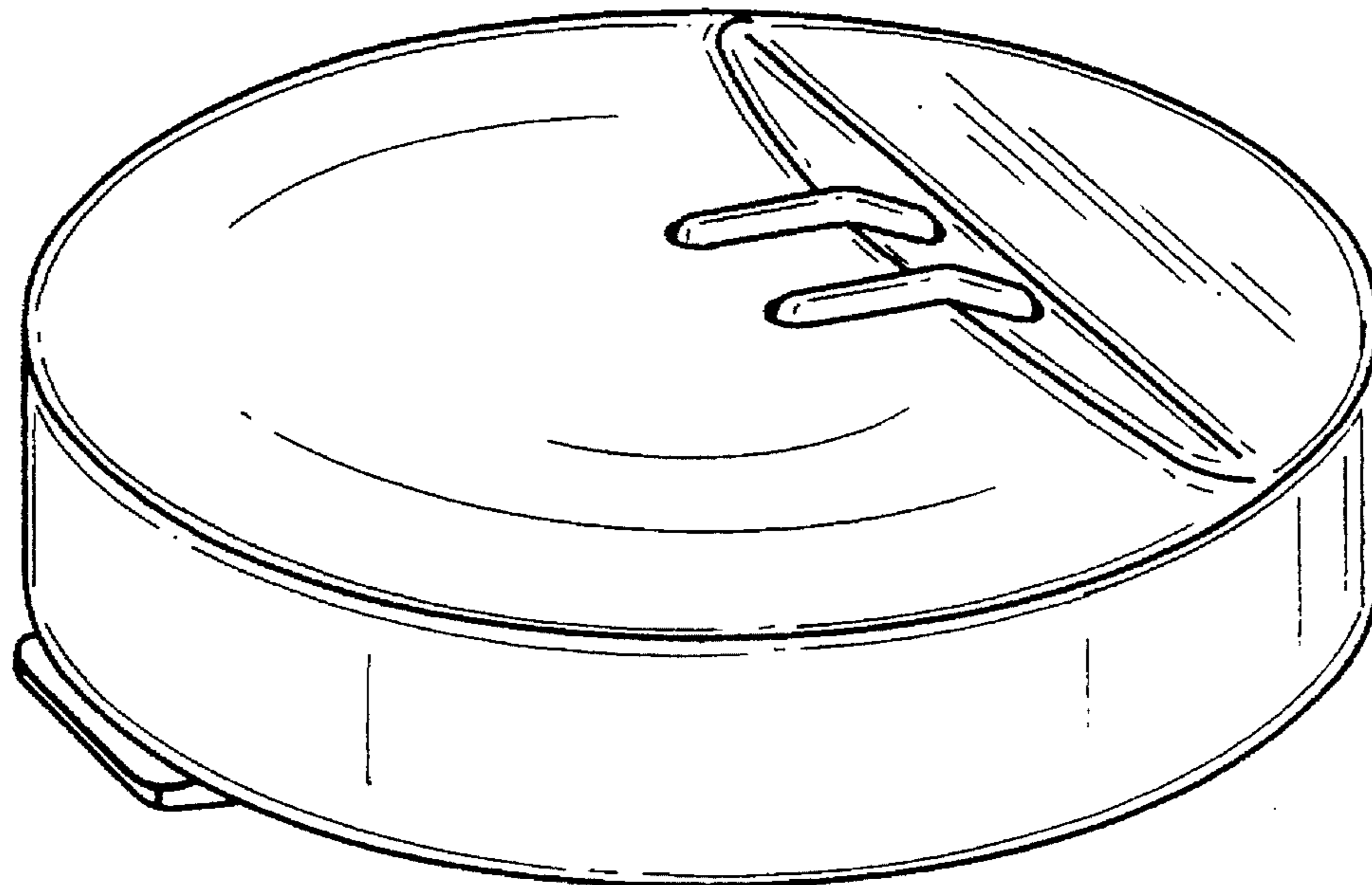


FIG-1

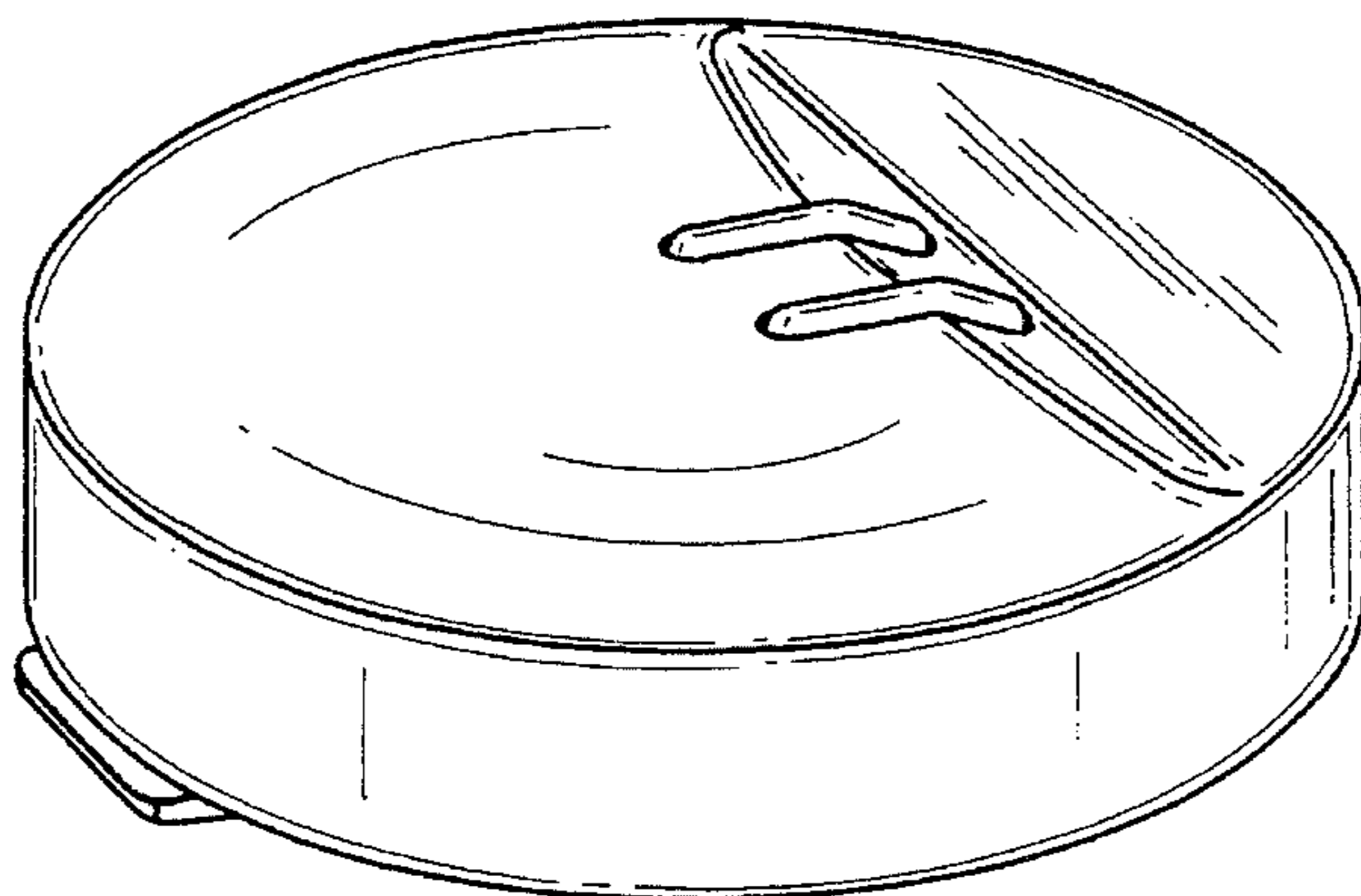


FIG-2

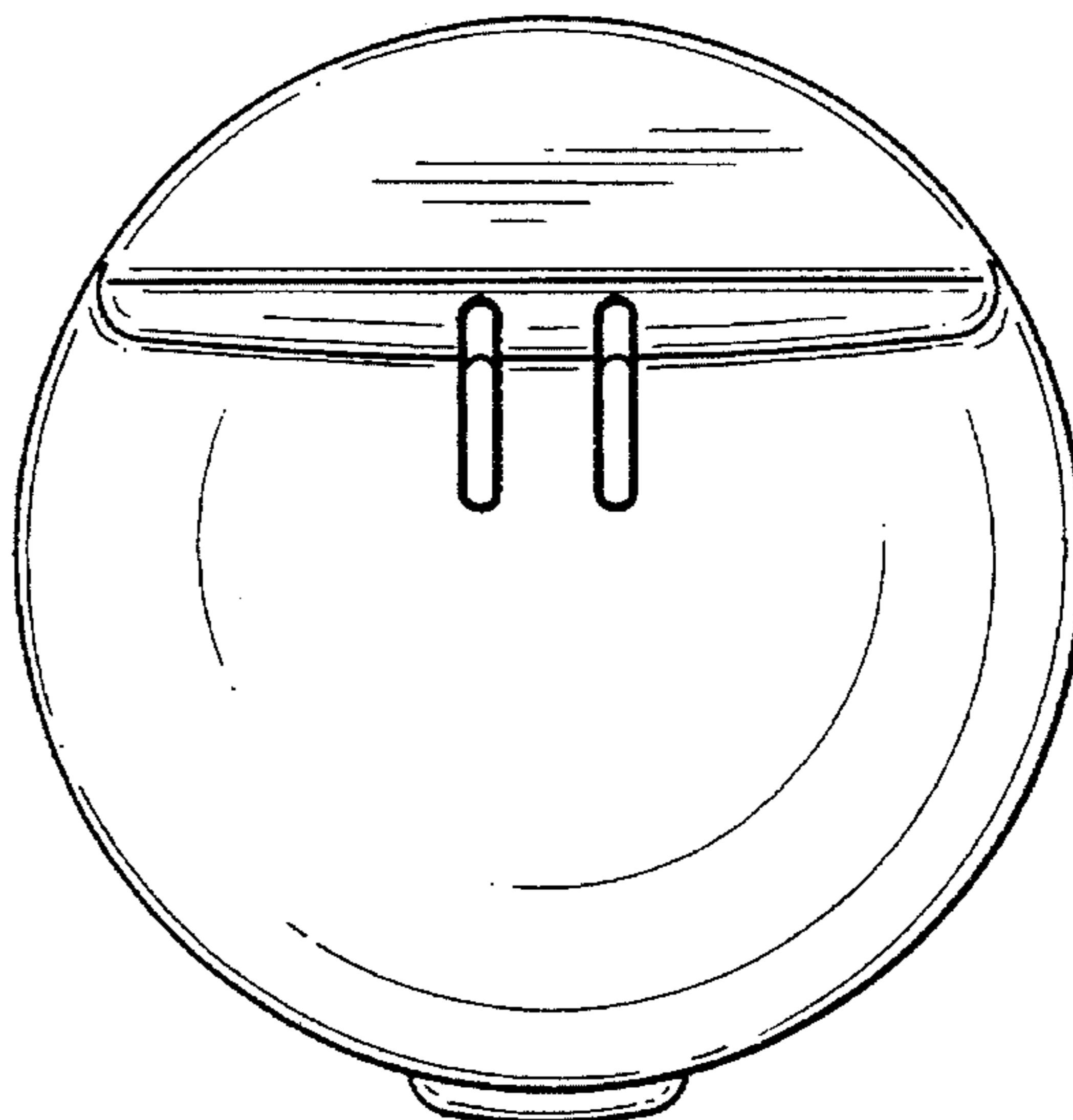


FIG-3

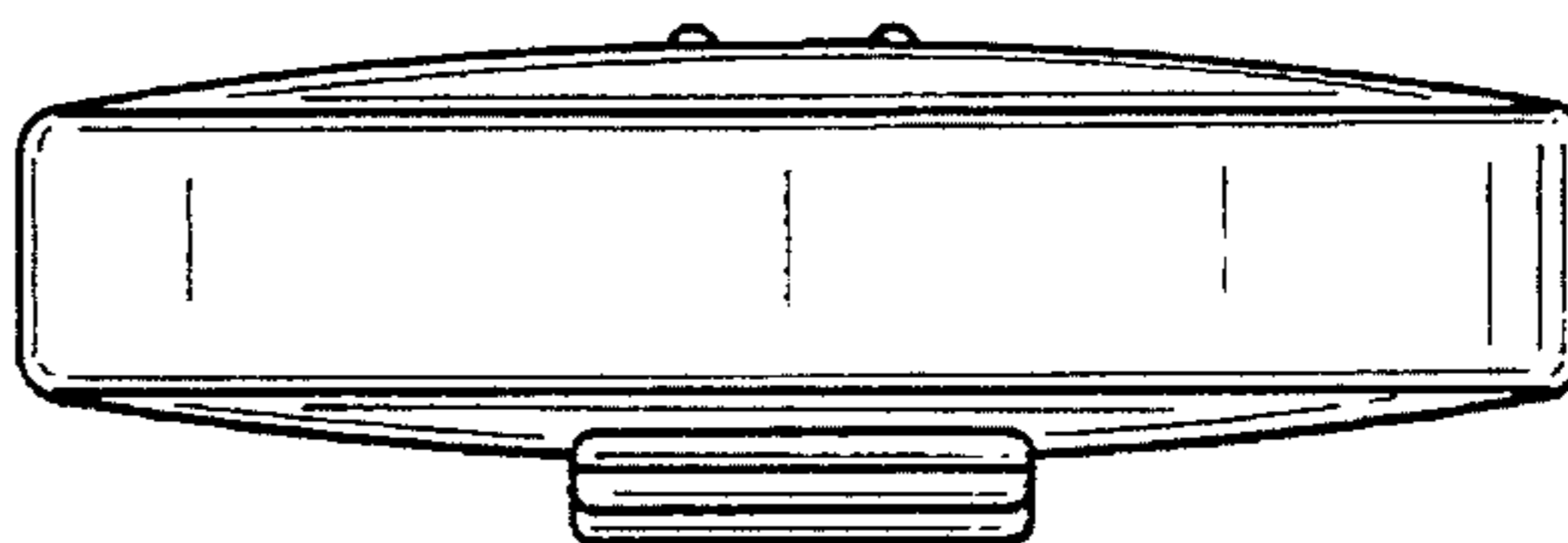


FIG-4

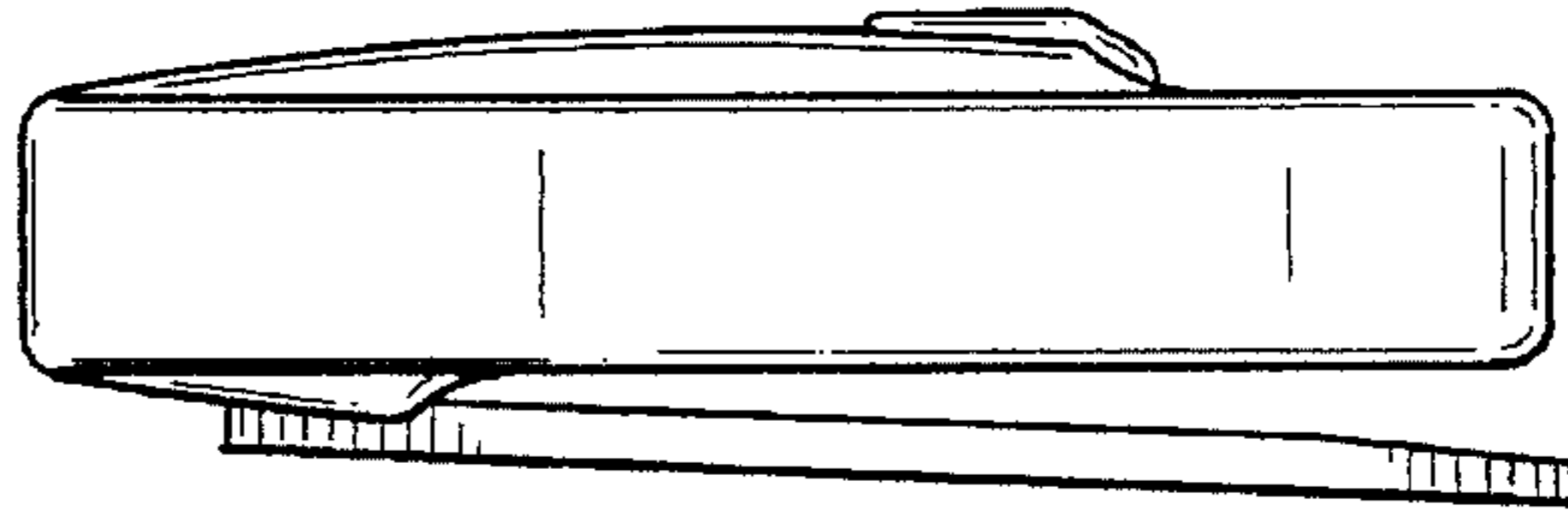


FIG-5

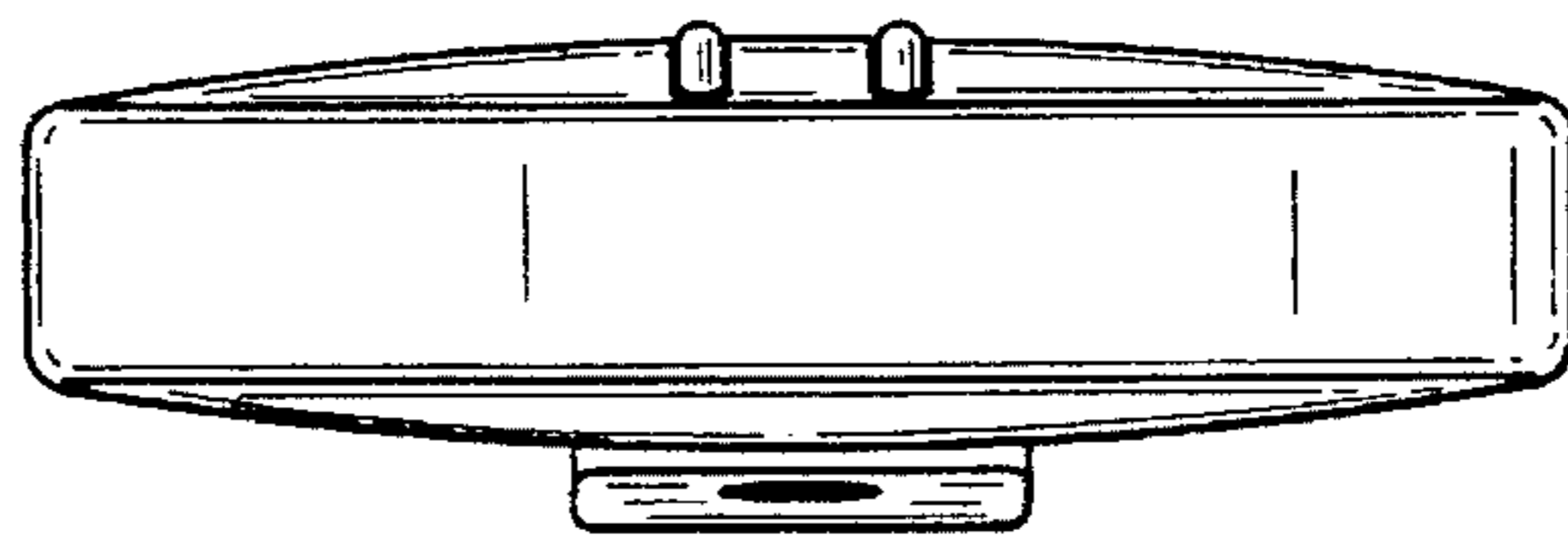


FIG-6

