



US00D366696S

United States Patent [19]

Krause

[11] Patent Number: **Des. 366,696**

[45] Date of Patent: ***** Jan. 30, 1996**

[54] EAR PLUG

5,195,539 3/1993 Dyrud et al. .
5,249,309 10/1993 Berg et al. .

[76] Inventor: **Ward B. Krause**, 10518 Ni River Dr.,
Spotsylvania, Va. 22553

FOREIGN PATENT DOCUMENTS

[*] Notice: The portion of the term of this patent
subsequent to Nov. 21, 2009, has been
disclaimed.

0504124 9/1992 European Pat. Off. 128/864
1258398 3/1961 France 128/864
0225607 9/1910 Germany 128/864
1731214A1 11/1988 U.S.S.R. .

[**] Term: **14 Years**

OTHER PUBLICATIONS

[21] Appl. No.: **26,204**

Shell Chemical Company Technical Bulletin SC:1032-88,
Kraton Thermoplastic Rubber Medical Products (May
1988).

[22] Filed: **Jul. 21, 1994**

[52] U.S. Cl. **D24/106**

Provisional Technical Bulletin for Kraton G-2706, GLS
Plastics (Aug. 1989).

[58] Field of Search D24/106; 128/864,
128/865, 866, 867, 868; 181/130, 135;
D21/108

Santoprene Monsanto Elastomer brochure TPE 74-01 prior
art.

[56] References Cited

Primary Examiner—Louis S. Zarfes
Assistant Examiner—I. Simmons
Attorney, Agent, or Firm—Banner & Allegretti, Ltd.

U.S. PATENT DOCUMENTS

Re. 29,487 12/1977 Gardner, Jr. .
1,344,935 6/1920 Baum .
2,246,736 8/1938 Knudsen .
2,437,490 6/1942 Watson et al. .
2,785,675 3/1957 Berkman .
2,785,676 3/1957 Berkman .
2,824,558 2/1958 Michael et al. .
2,850,012 9/1958 Becker 128/864
2,876,767 3/1959 Wasserman .
2,888,921 6/1959 Nielson et al. D24/106 X
3,736,929 6/1973 Mills .
4,060,080 11/1977 Akiyama .
4,434,794 3/1984 Leight .
4,540,063 9/1985 Ochi et al. .
4,582,053 4/1986 Wilson .
5,080,110 1/1992 Weldon et al. .

[57] CLAIM

The ornamental design for an ear plug, as shown and
described.

DESCRIPTION

FIG. 1 is a perspective view of an ear plug showing my new
design;
FIG. 2 is a side elevational view thereof, with all other side
elevational views being identical thereto; and,
FIG. 3 is an end elevational view thereof, the opposite end
elevational being identical thereto.

1 Claim, 2 Drawing Sheets

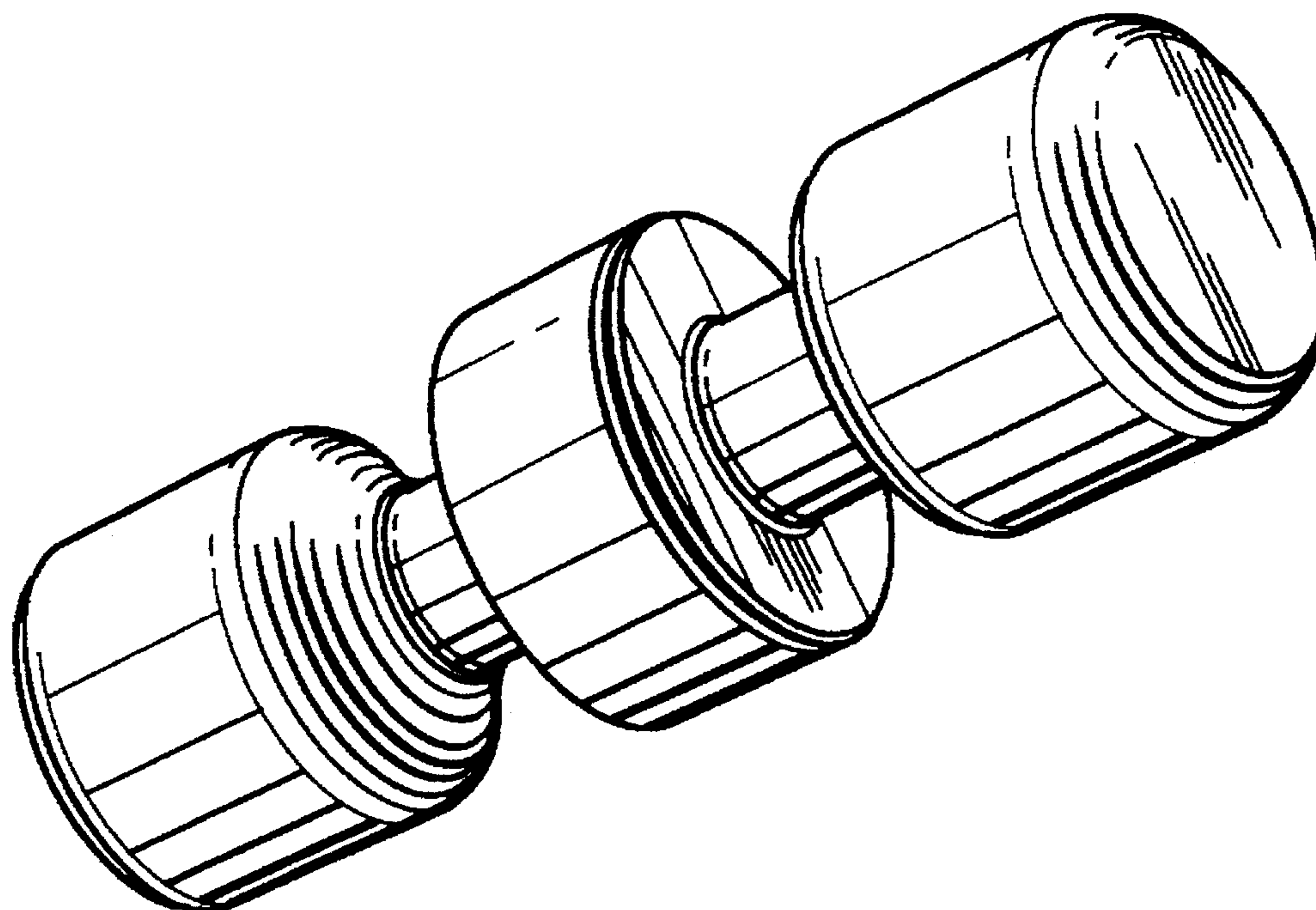


Fig 1

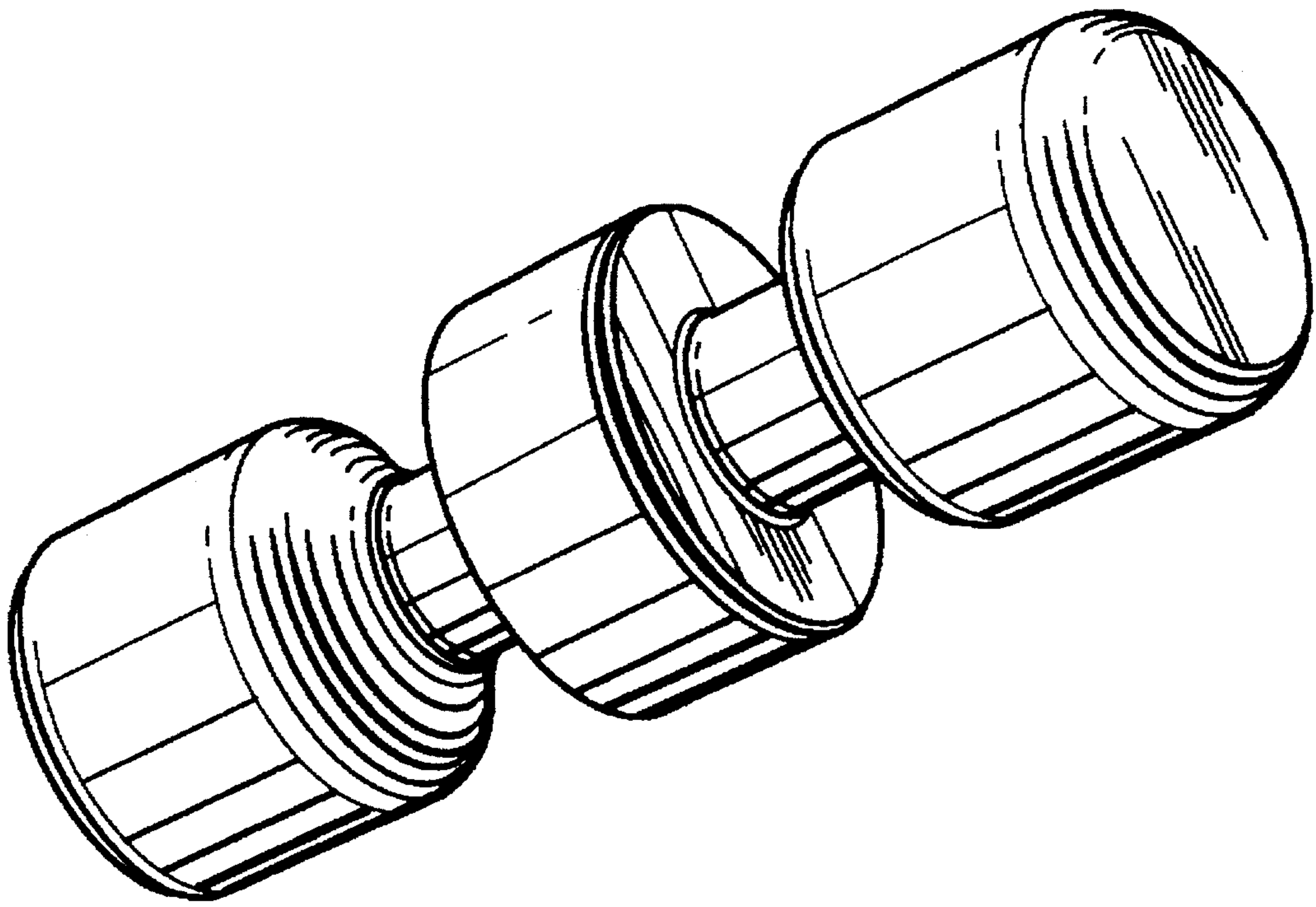


Fig 2

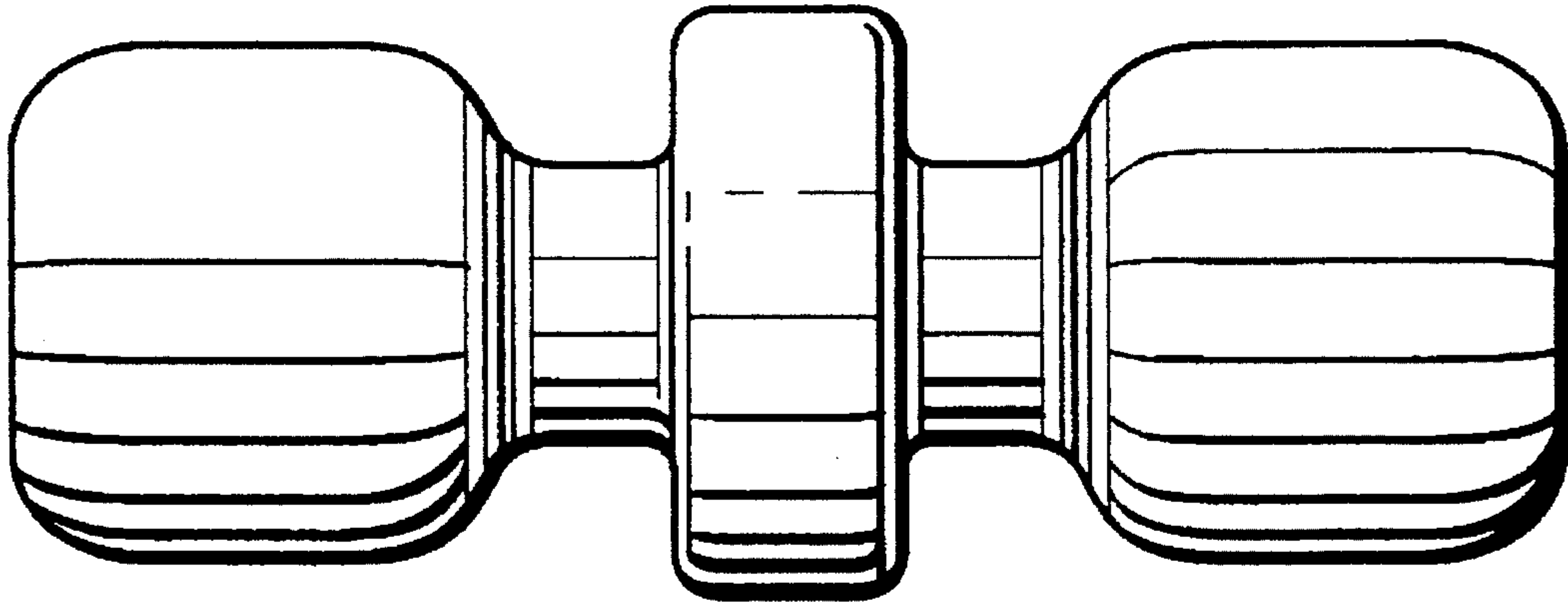


Fig 3

