



US00D366694S

United States Patent [19]

Lobermeier

[11] Patent Number: **Des. 366,694**

[45] Date of Patent: ****Jan. 30, 1996**

[54] FAUCET HANDLE

[75] Inventor: **Hans Lobermeier**, Menden, Germany

[73] Assignee: **Friedrich Grohe Aktiengesellschaft**, Hemer, Germany

[**] Term: **14 Years**

[21] Appl. No.: **36,805**

[22] Filed: **Mar. 28, 1995**

[30] Foreign Application Priority Data

Oct. 31, 1994 [DE] Germany 94 08 475.0

[52] U.S. Cl. **D23/250**

[58] Field of Search D23/238-243,
D23/250-254; D8/300, 307-312; 4/191,
192; 16/116, 121

[56] References Cited

U.S. PATENT DOCUMENTS

D. 276,064 10/1984 Stairs, Jr. D8/310 X

D. 285,108 8/1986 Ogilvie D23/254
D. 305,455 1/1990 Stairs, Jr. D23/254
D. 325,865 5/1992 Del Coruo D8/307 X

Primary Examiner—Stella Reid
Assistant Examiner—Eric Watterson
Attorney, Agent, or Firm—Herbert Dubno

[57] CLAIM

The ornamental design for a faucet handle, as shown and described.

DESCRIPTION

FIG. 1 is a top, front, left-side perspective view of a faucet handle showing my new design;
FIG. 2 is a right side elevational view thereof;
FIG. 3 is a bottom view thereof;
FIG. 4 is a rear view thereof;
FIG. 5 is a top view thereof;
FIG. 6 is a front view thereof; and,
FIG. 7 is a left side elevational view thereof.

1 Claim, 2 Drawing Sheets

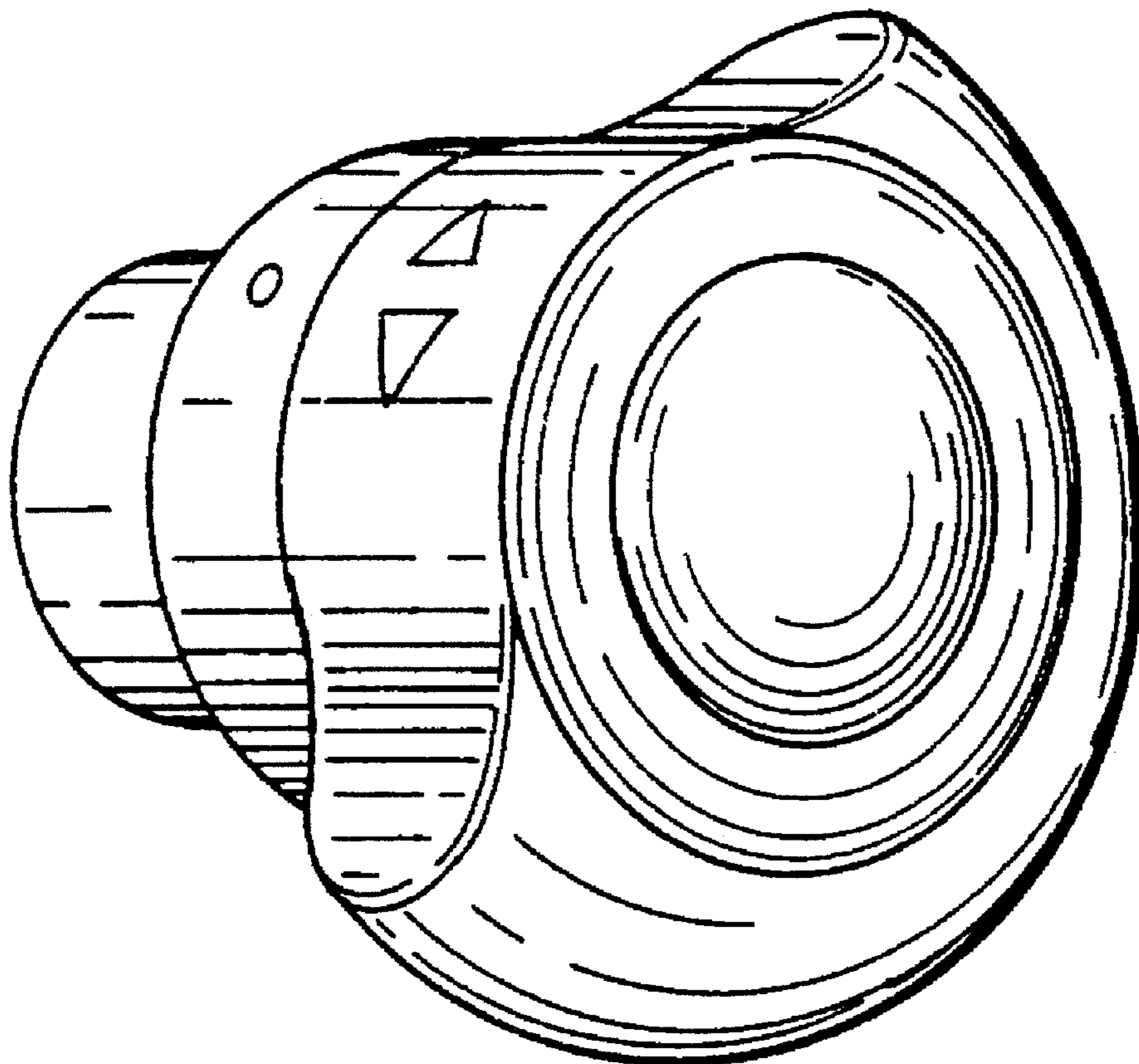


FIG. 1

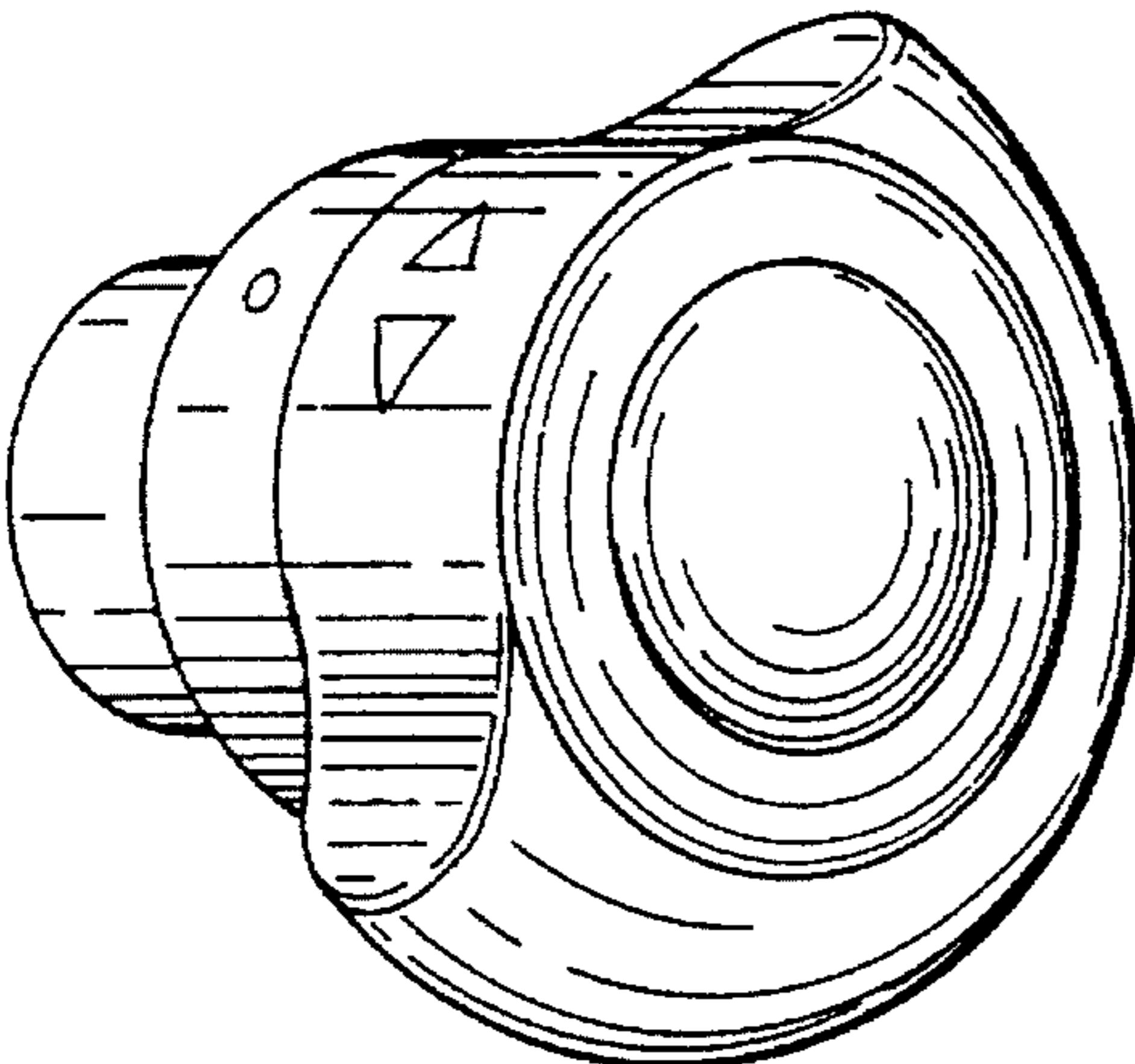


FIG. 2

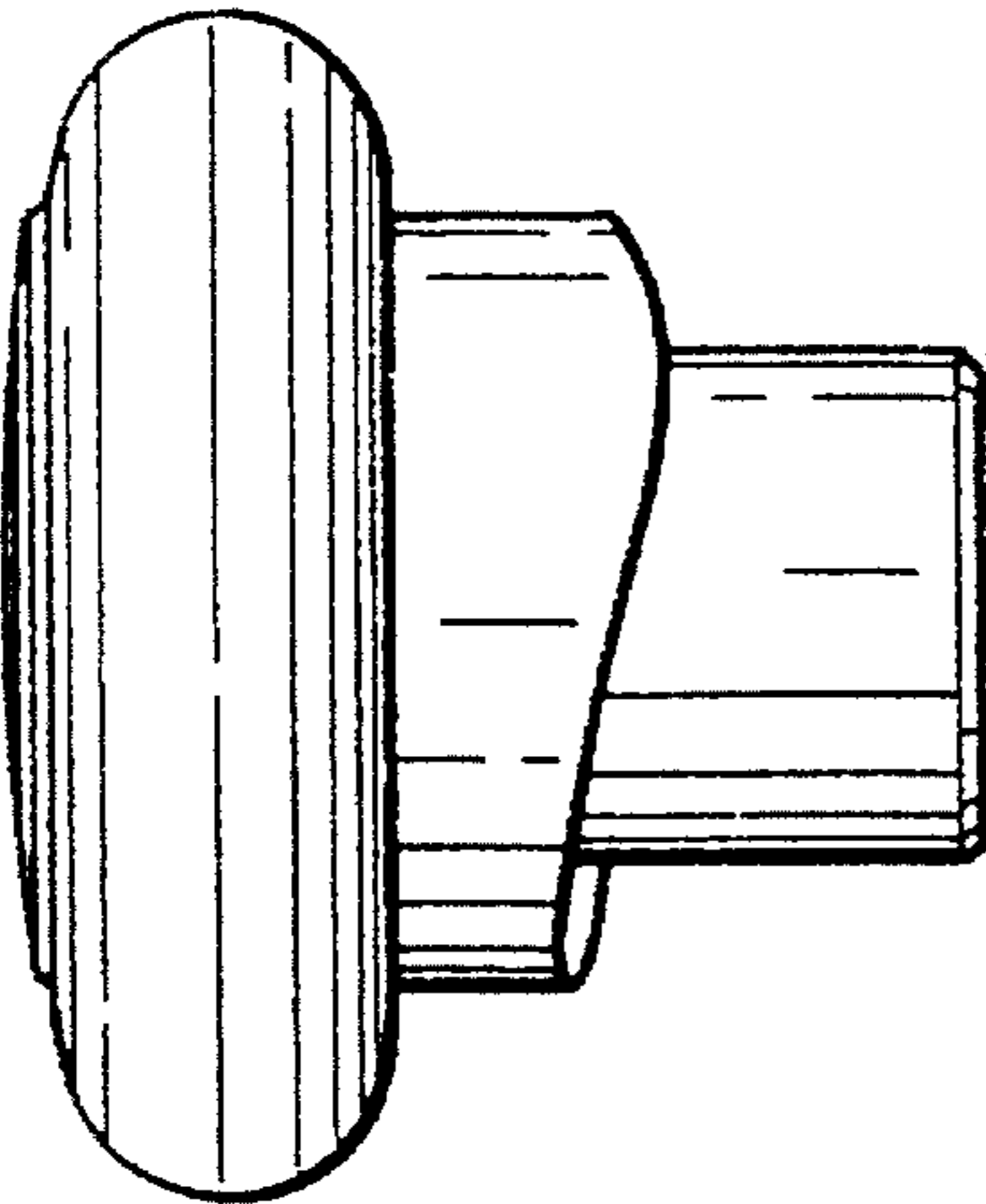
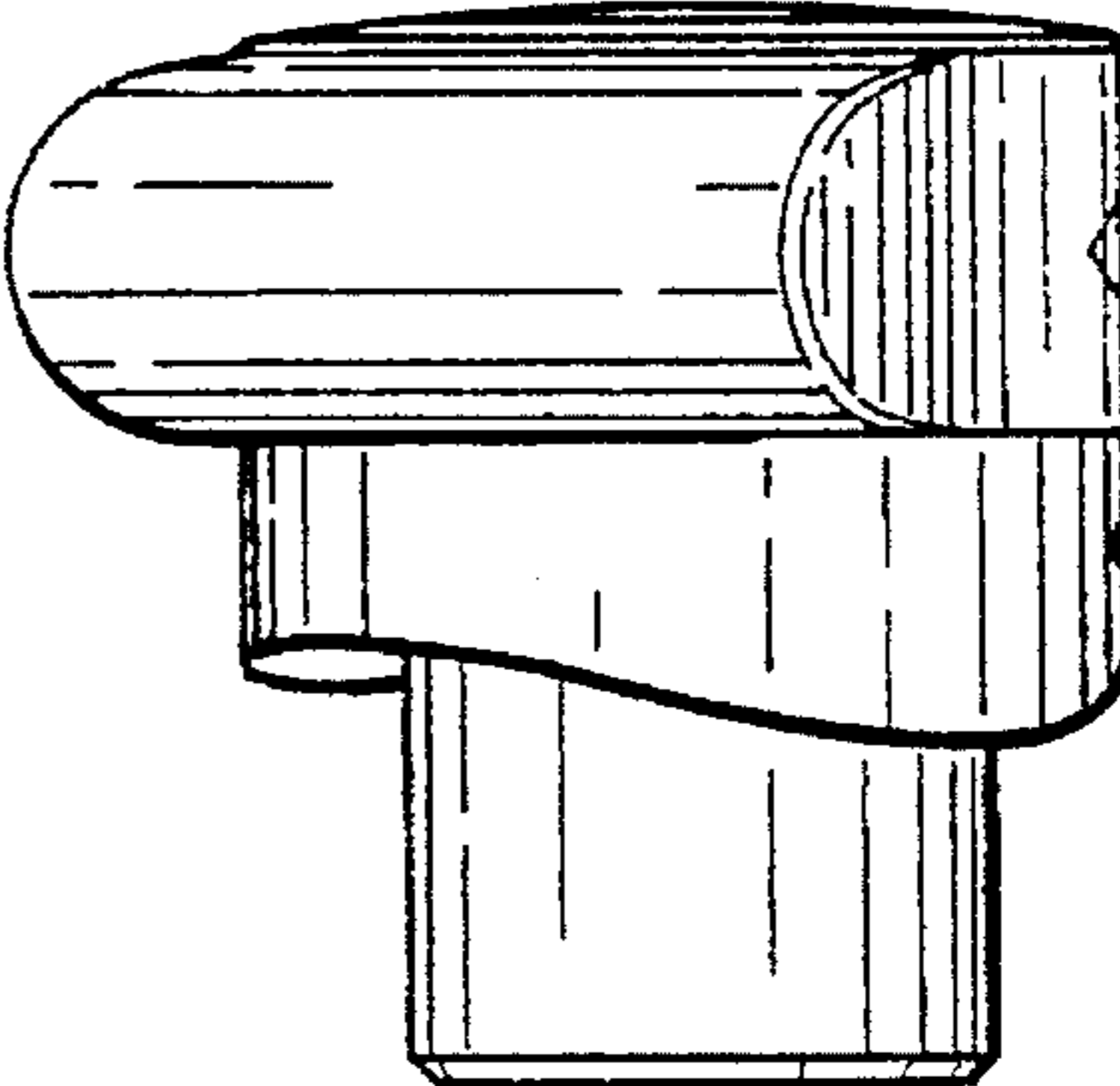


FIG. 3

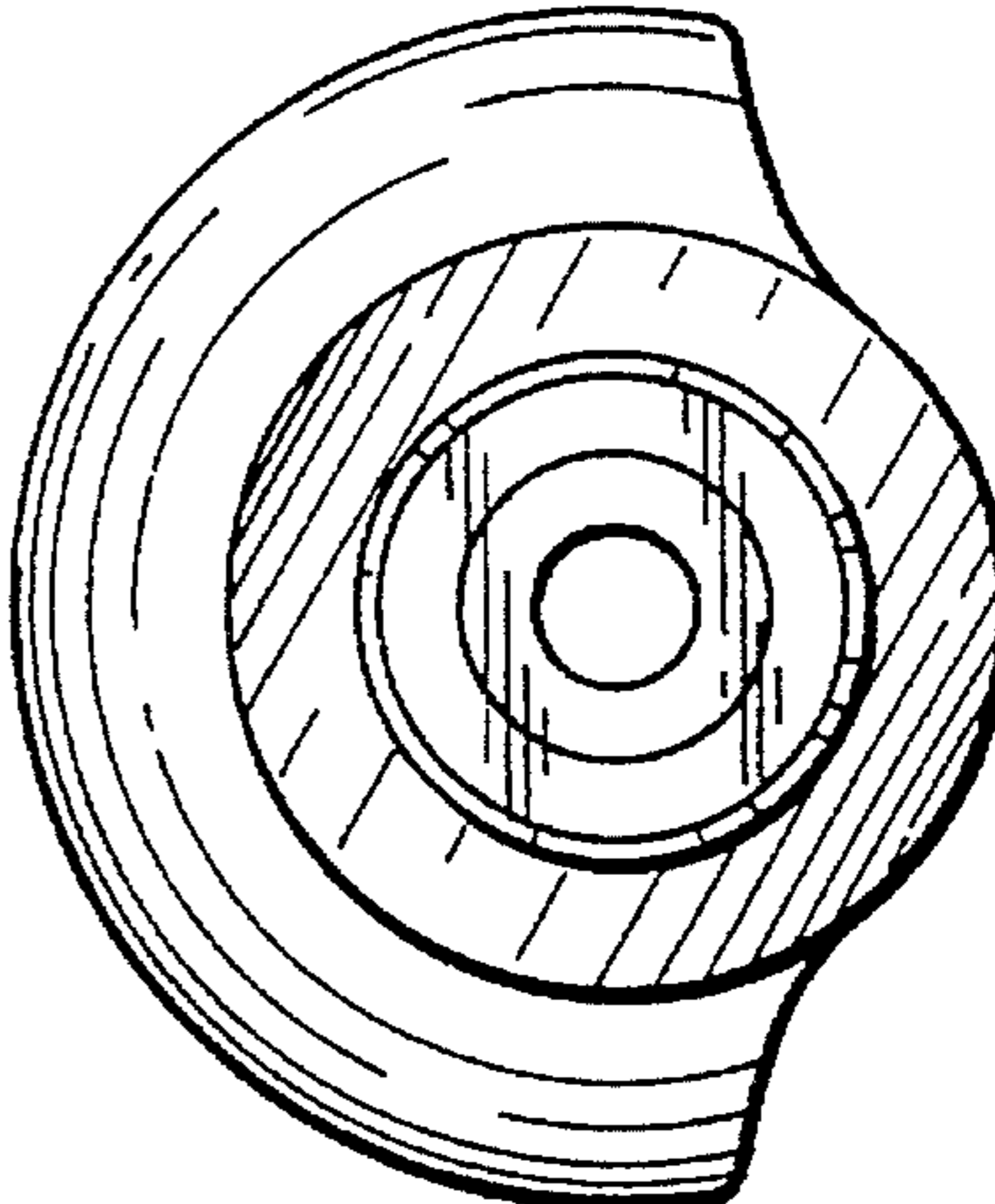


FIG. 4

FIG. 5

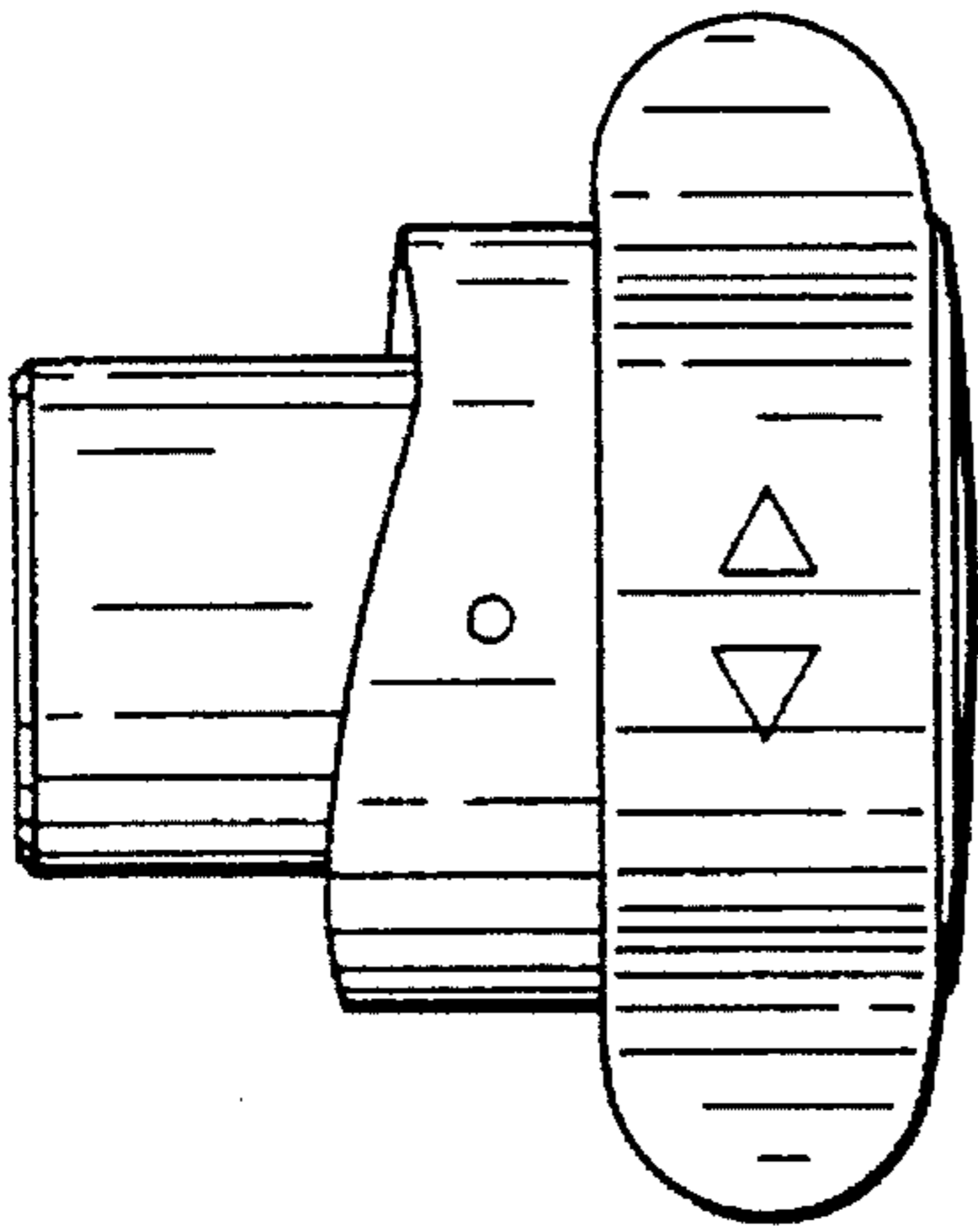


FIG. 6

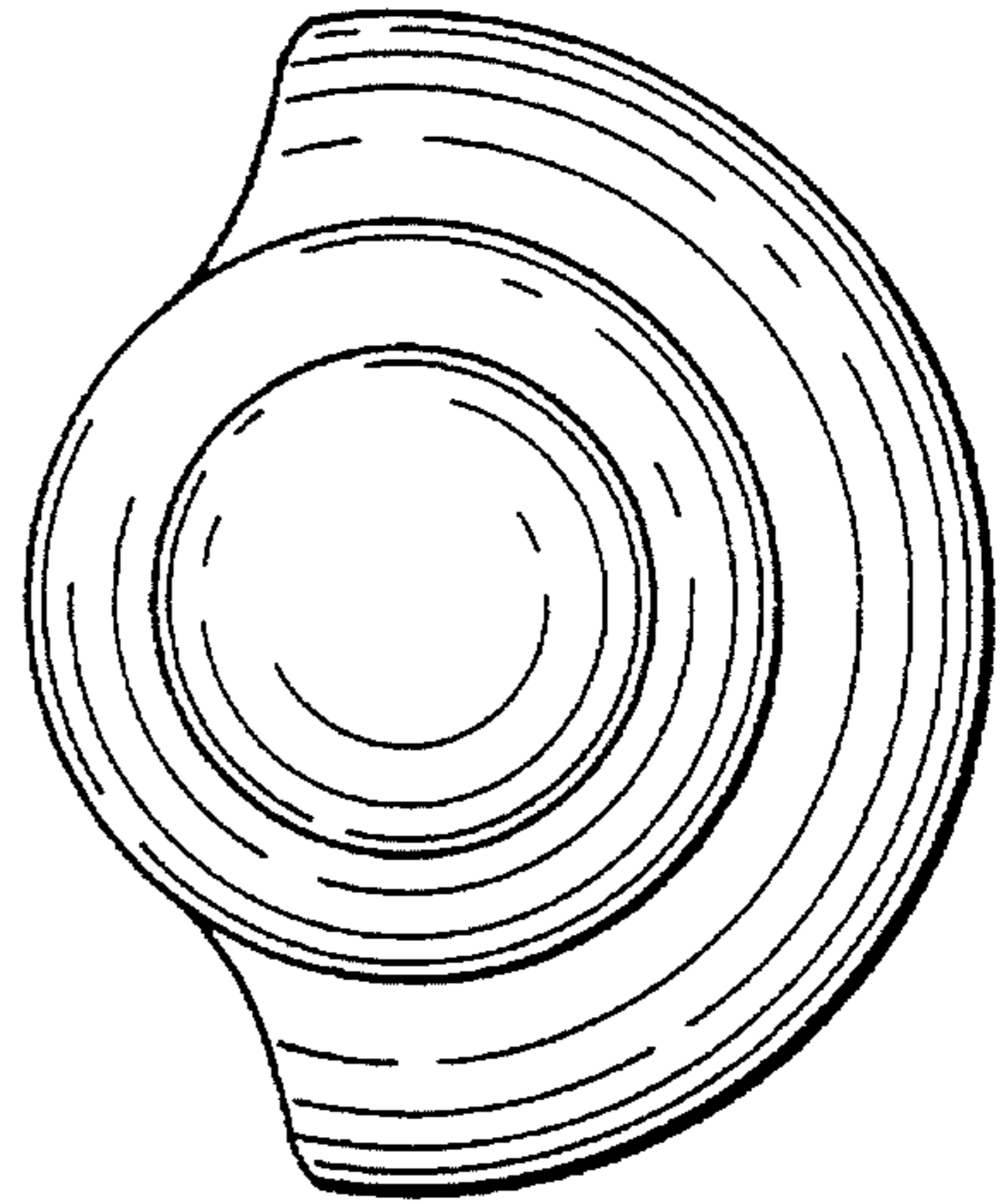


FIG. 7

