



US00D366693S

United States Patent [19]
Gregor

[11] **Patent Number: Des. 366,693**

[45] **Date of Patent: **Jan. 30, 1996**

[54] **BALL VALVE**

[75] Inventor: **Naef Gregor**, Baden-Dattwil,
Switzerland

[73] Assignee: **Georg Fischer Rohrleitungssysteme
AG**, Schaffhausen, Switzerland

[**] Term: **14 Years**

[21] Appl. No.: **21,437**

[22] Filed: **Apr. 18, 1994**

[30] **Foreign Application Priority Data**

Oct. 18, 1993 [XH] Hague Agreement DM/027612

[52] **U.S. Cl.** **D23/245**

[58] **Field of Search** D23/233-237,
D23/244-249, 259, 262; 137/412, 801;
251/148, 152, 309

[56] **References Cited**

U.S. PATENT DOCUMENTS

D. 291,230 8/1987 Kunz D23/245

D. 297,254 8/1988 Odate et al. D23/248
D. 321,928 11/1991 Milo D23/245
4,023,773 5/1977 Wise 251/148
4,667,928 5/1987 Davatz et al. 251/148

Primary Examiner—Stella Reid
Assistant Examiner—Eric Watterson
Attorney, Agent, or Firm—Bachman & LaPointe

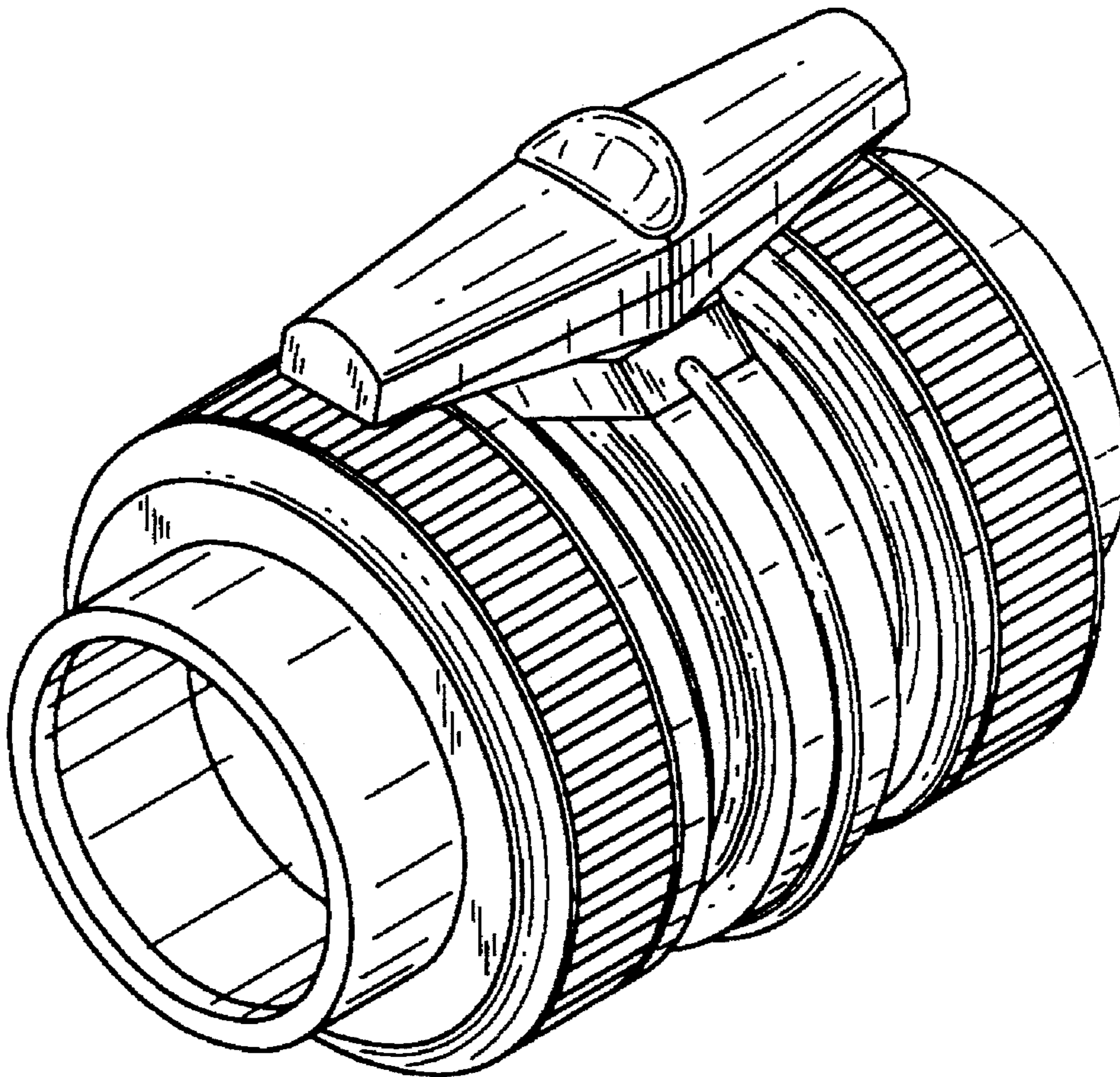
[57] **CLAIM**

The ornamental design for a ball valve, as shown and described.

DESCRIPTION

FIG. 1 is a top perspective view of a ball valve showing my new design;
FIG. 2 is a bottom view of the ball valve of FIG. 1;
FIG. 3 is a front view of the ball valve of FIG. 1;
FIG. 4 is a top view of the ball valve of FIG. 1;
FIG. 5 is a rear view of the ball valve of FIG. 1;
FIG. 6 is a left view of the ball valve of FIG. 1; and,
FIG. 7 is a right view of the ball valve of FIG. 1.

1 Claim, 1 Drawing Sheet



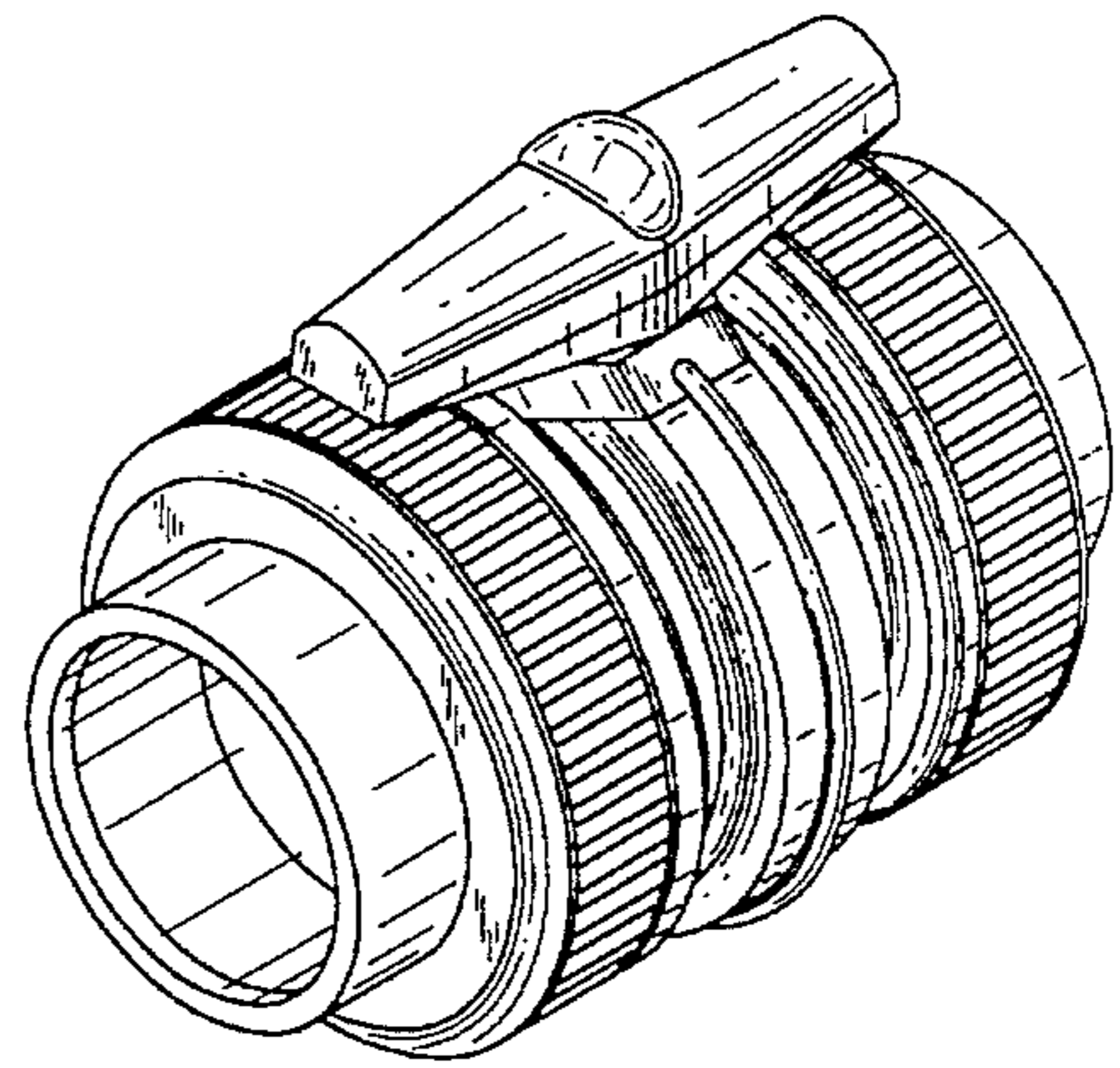


FIG-1

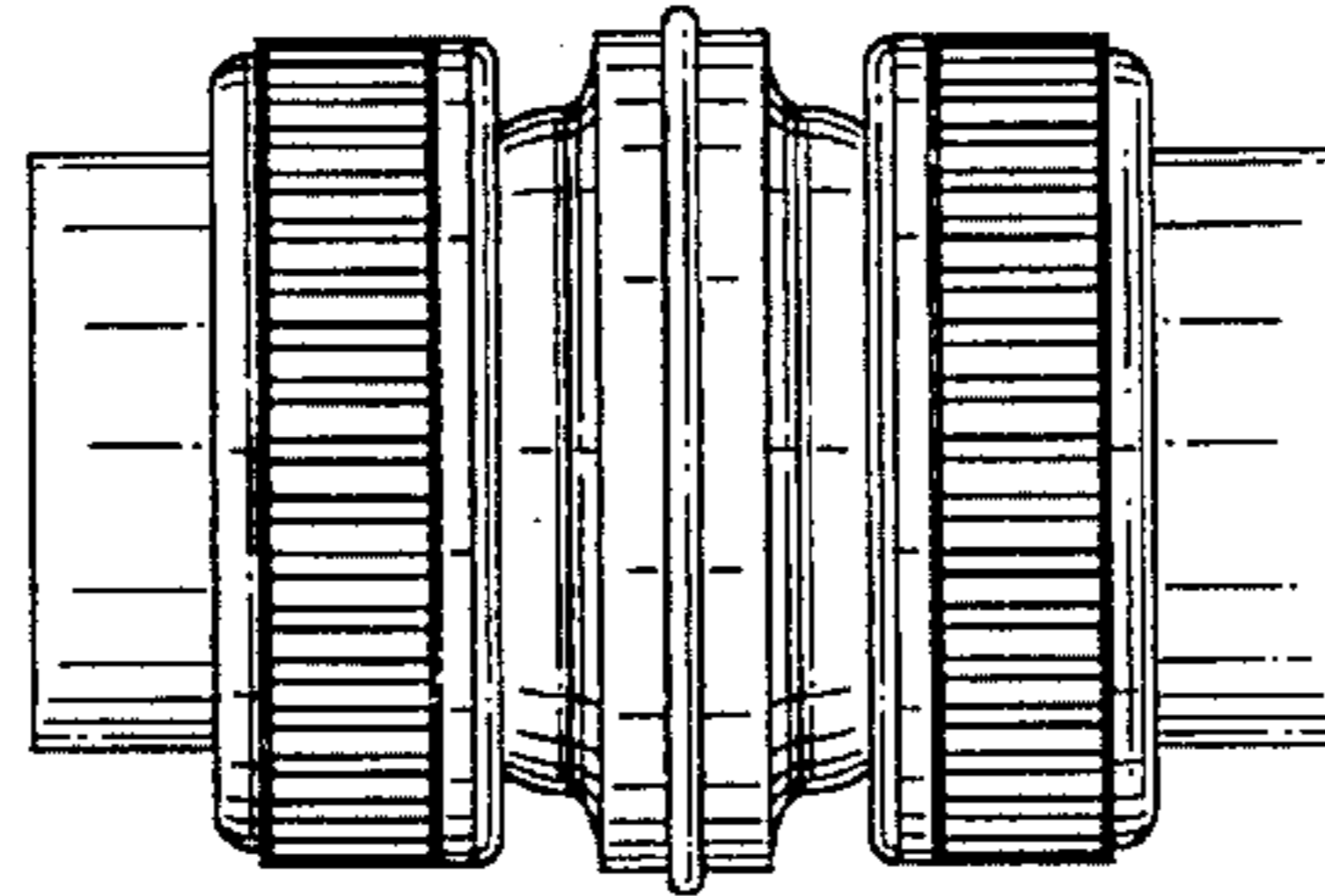


FIG-2

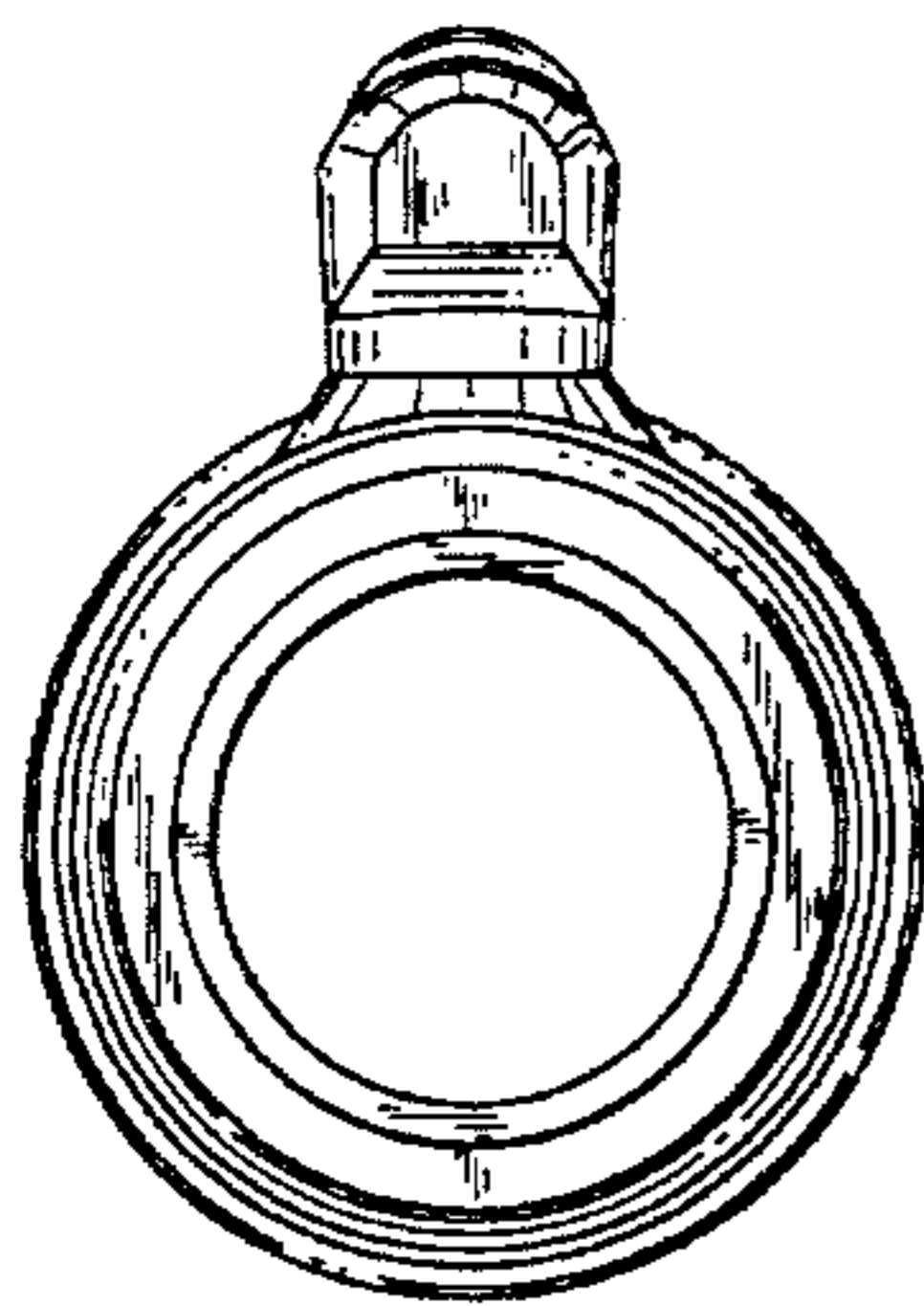


FIG-6

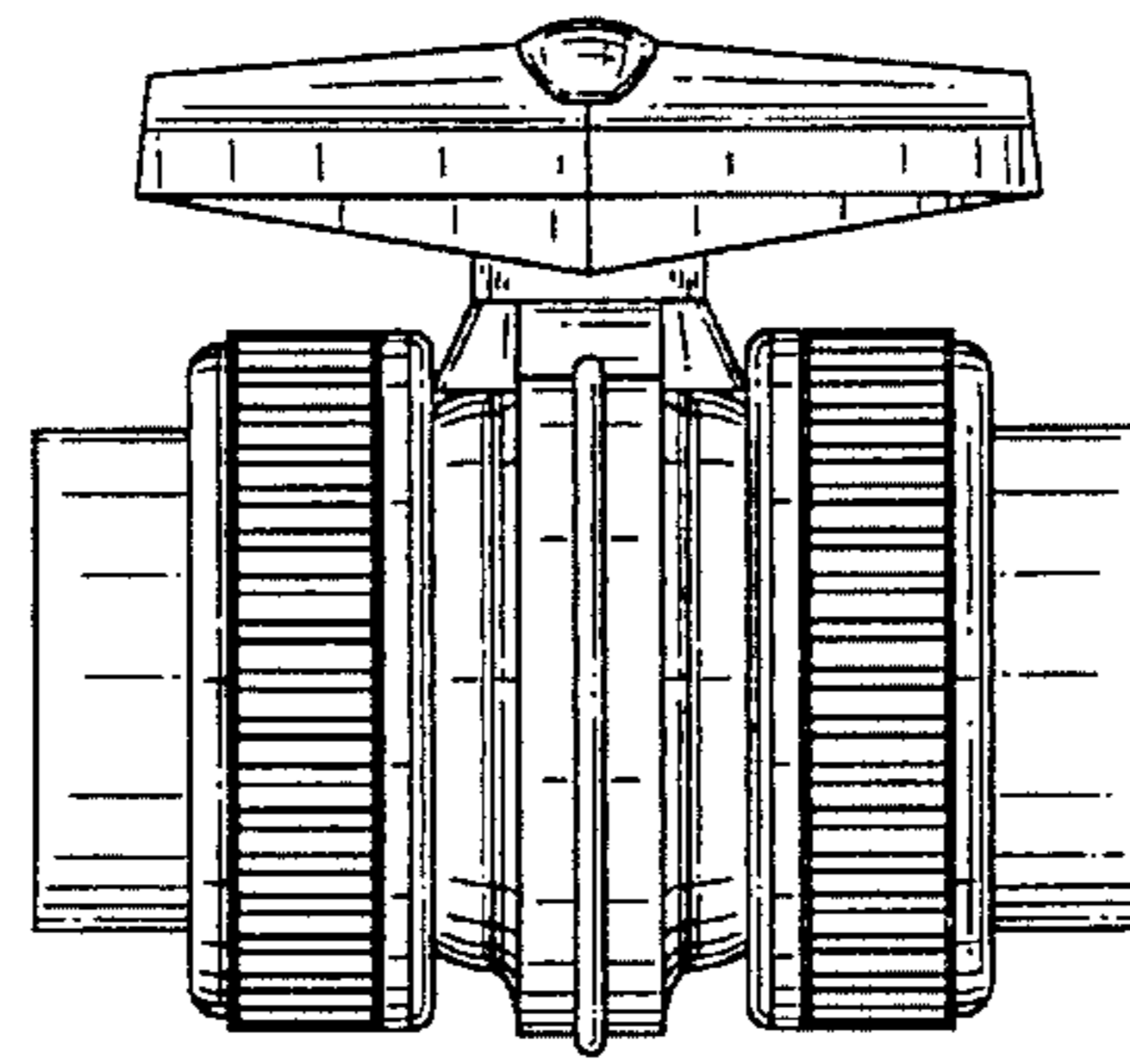


FIG-3

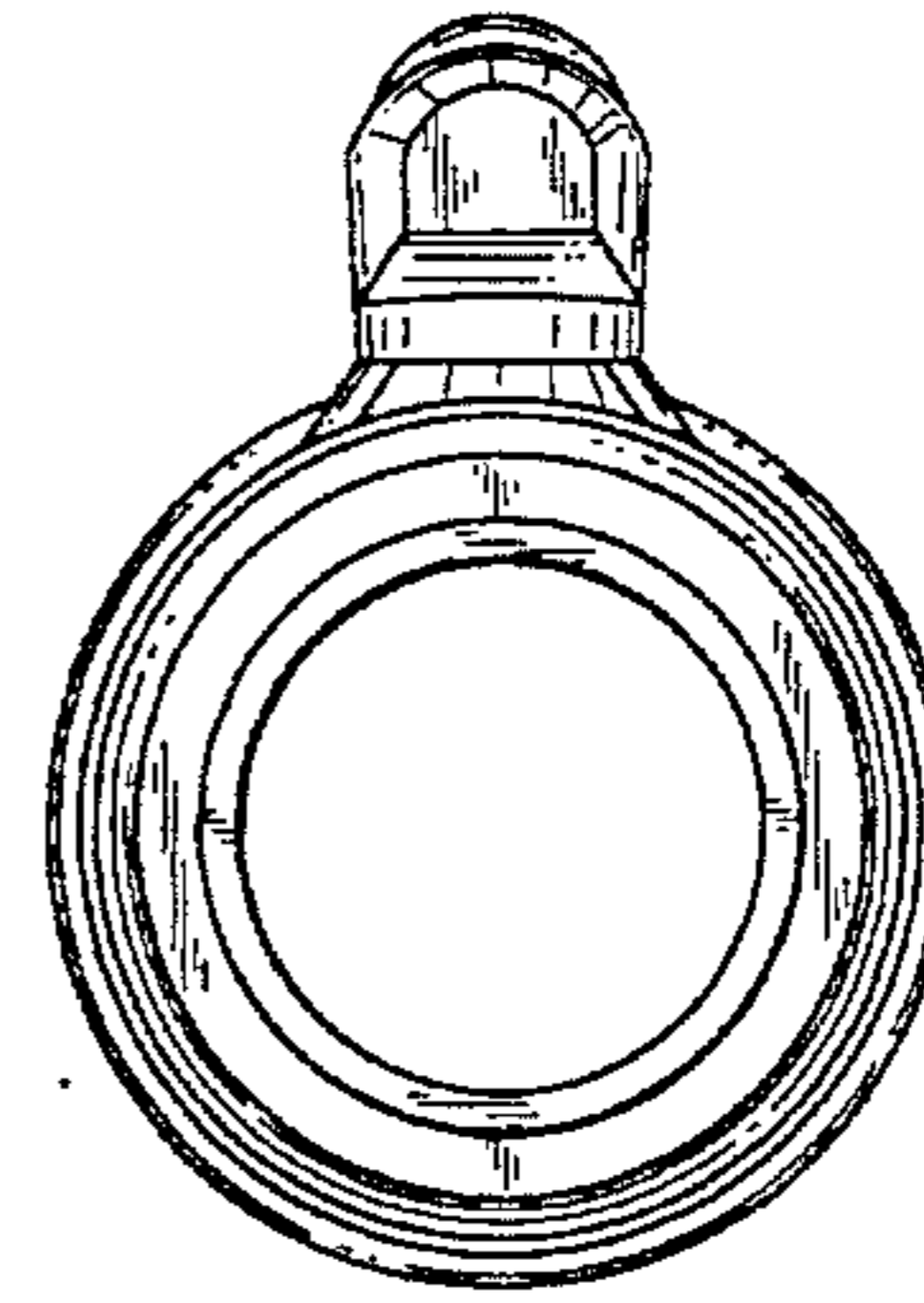


FIG-7

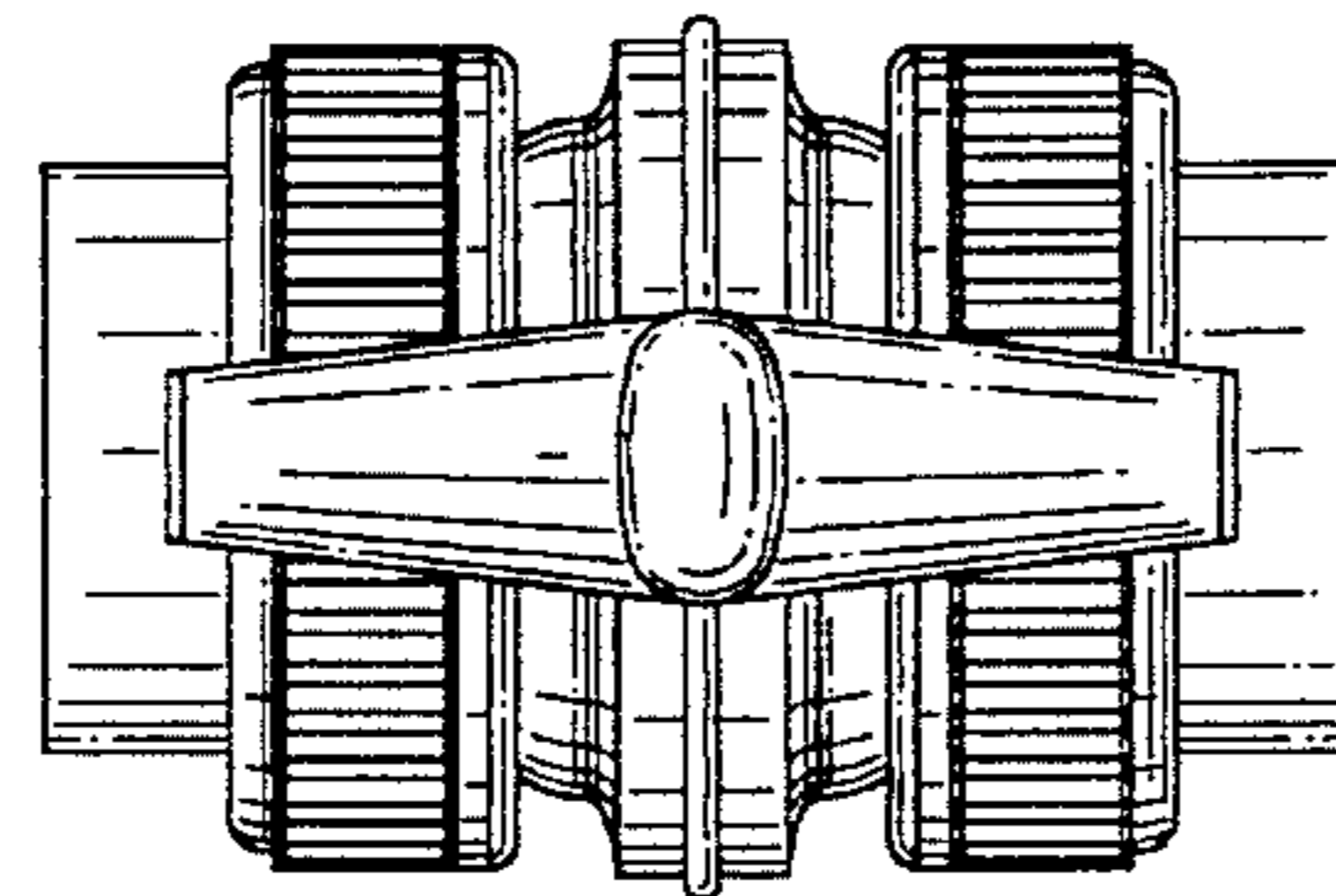


FIG-4

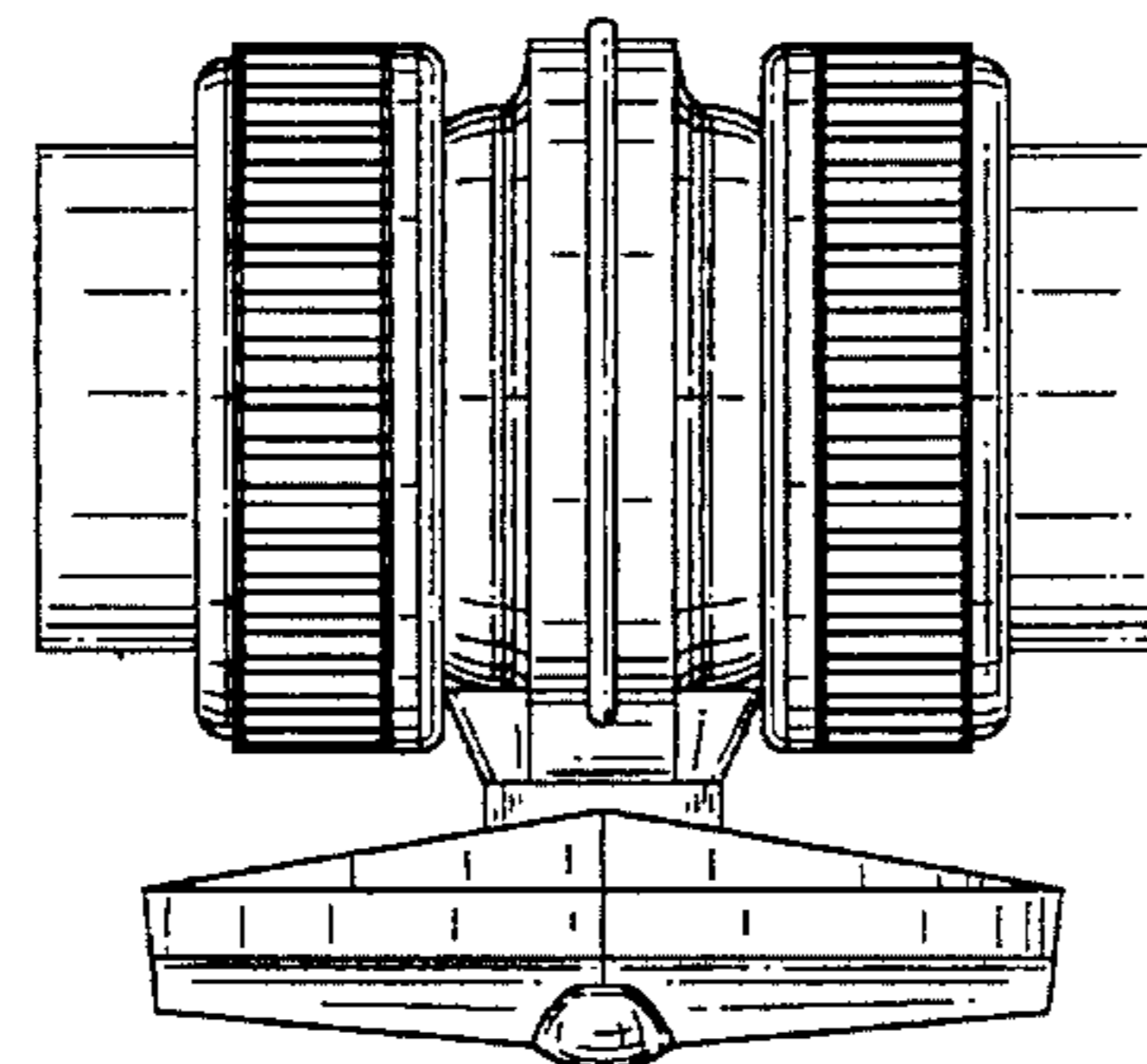


FIG-5