



US00D366690S

United States Patent [19]

Storz

[11] Patent Number: **Des. 366,690**

[45] Date of Patent: ****Jan. 30, 1996**

[54] FISHING REEL

[75] Inventor: **Achim Storz**, Zell Am See, Austria

[73] Assignee: **ABU AB**, Svangsta, Sweden

[**] Term: **14 Years**

[21] Appl. No.: **31,191**

[22] Filed: **Nov. 7, 1994**

[52] U.S. Cl. **D22/140**

[58] Field of Search D22/140; 242/279,
242/257, 262, 320, 311, 312, 234, 238

[56] References Cited

U.S. PATENT DOCUMENTS

D. 347,460	5/1994	Ohi	D22/140
D. 349,149	7/1994	Roberts et al.	D22/140
D. 351,451	10/1994	Storz	D22/140
D. 353,647	12/1994	Sakurai	D22/140
D. 356,138	3/1995	Onishi	D22/140

OTHER PUBLICATIONS

Abu Garcia 1992 Catalog, p. 12, Gold Max Reel.

Primary Examiner—Doris V. Coles
Attorney, Agent, or Firm—Browdy and Neimark

[57] CLAIM

The ornamental design for a fishing reel, as shown and described.

DESCRIPTION

FIG. 1 is a top plan view of the fishing reel;
FIG. 2 is a bottom plan view of the fishing reel according to the invention;
FIG. 3 is a right side elevational view of the fishing reel;
FIG. 4 is a left side elevational view of the fishing reel;
FIG. 5 is a front elevational view of the fishing reel; and,
FIG. 6 is a rear elevational view of the fishing reel.

1 Claim, 3 Drawing Sheets

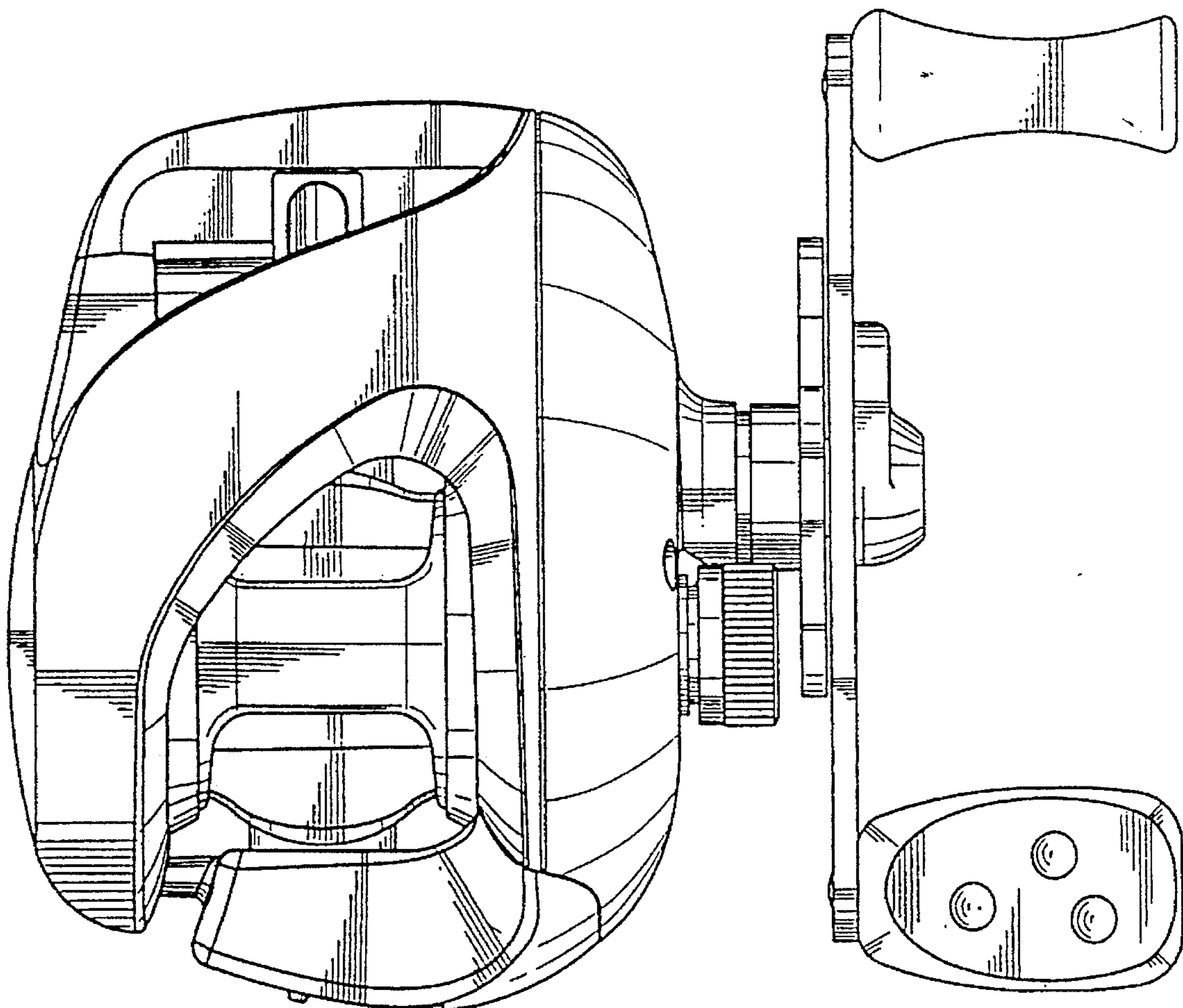


FIG. 1

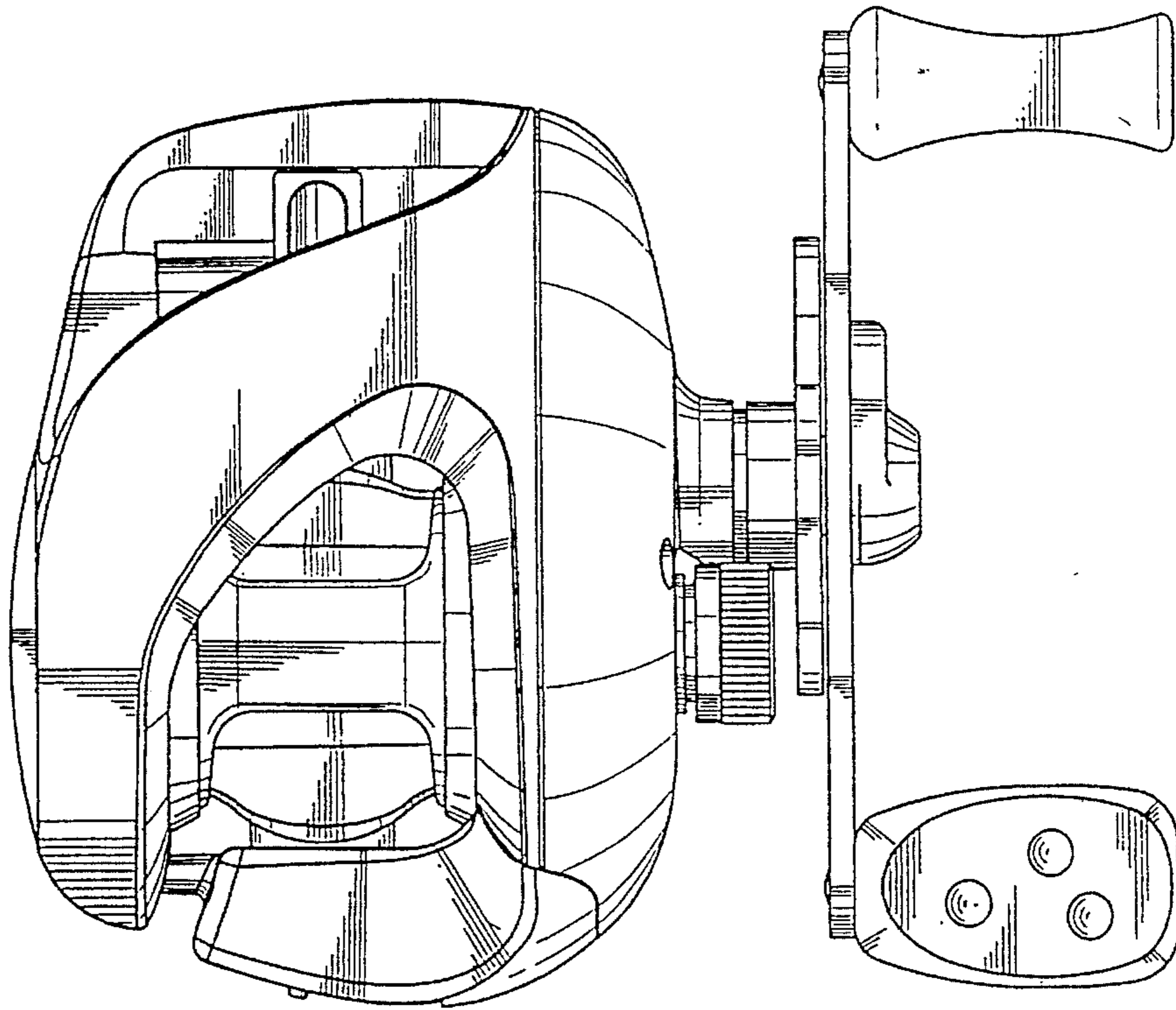


FIG. 2

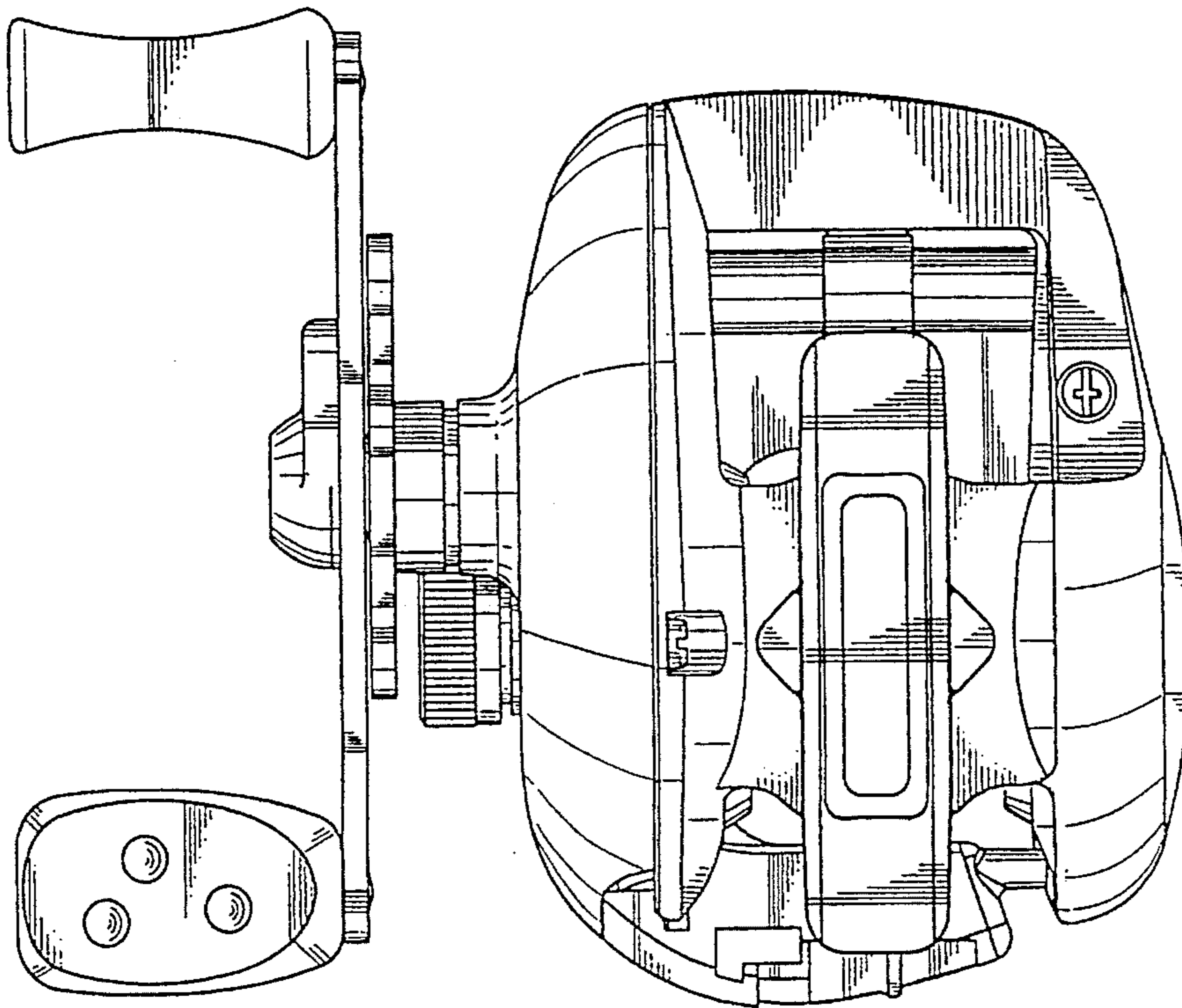


FIG. 3

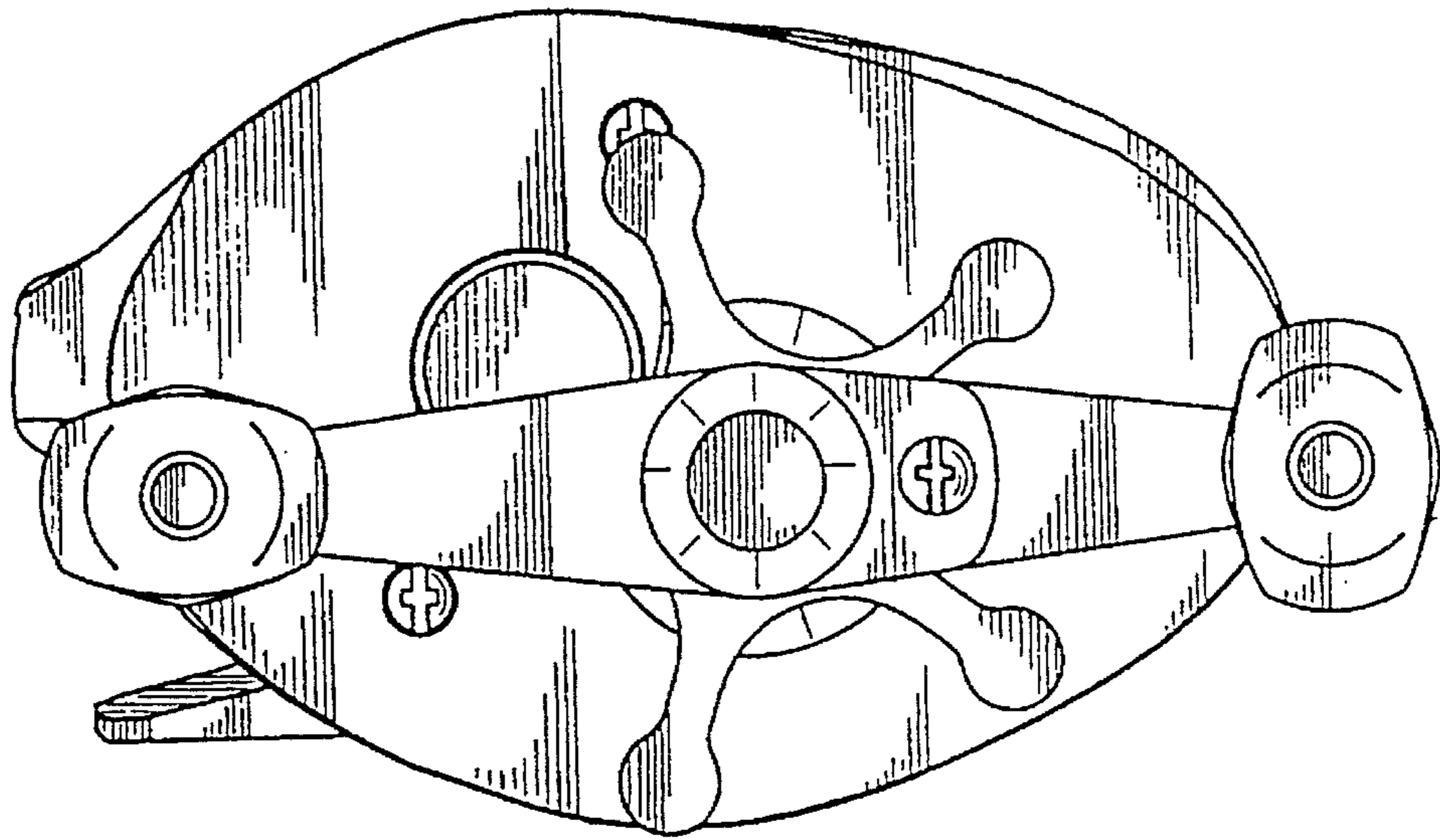


FIG. 4

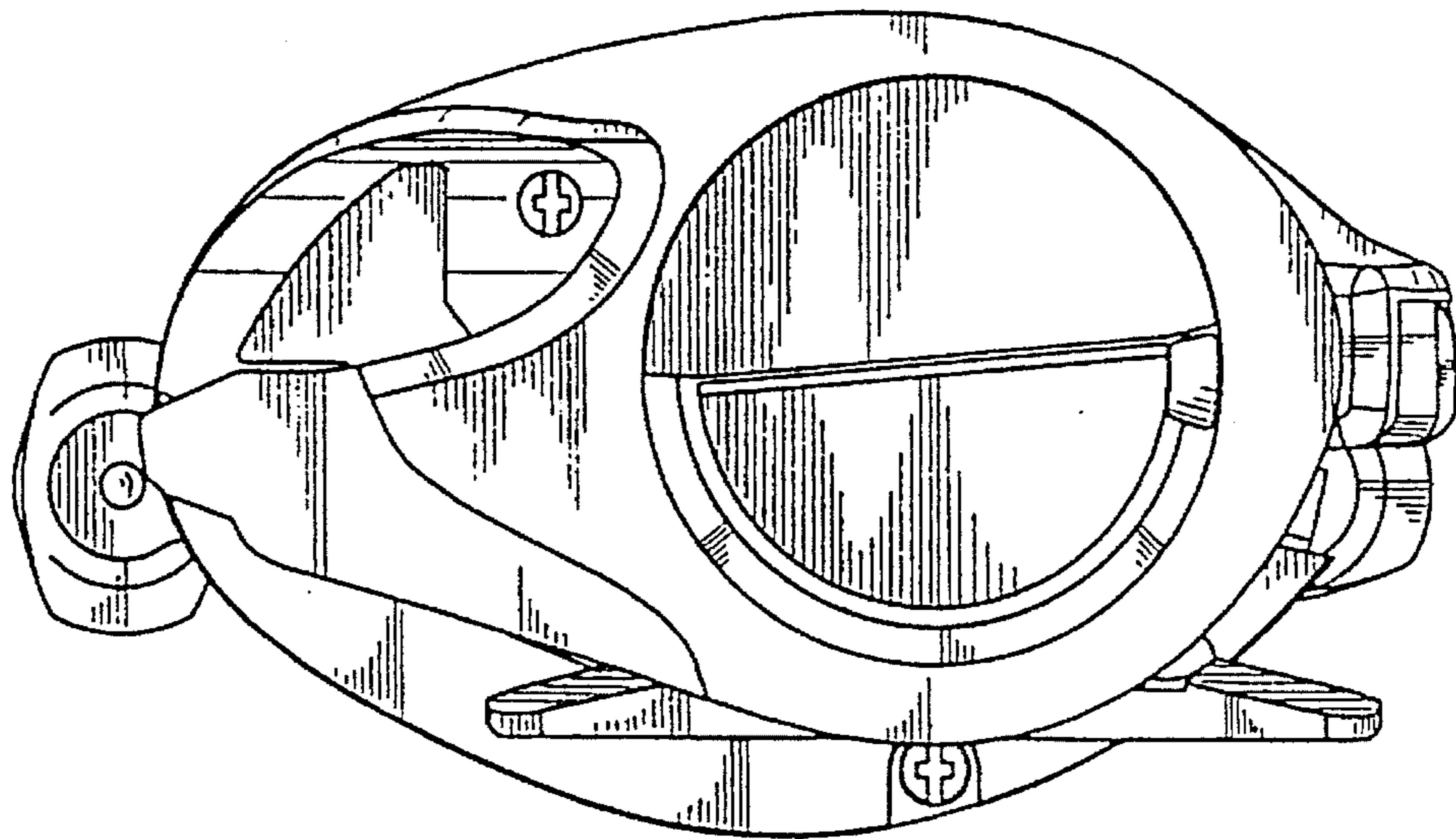


FIG. 5

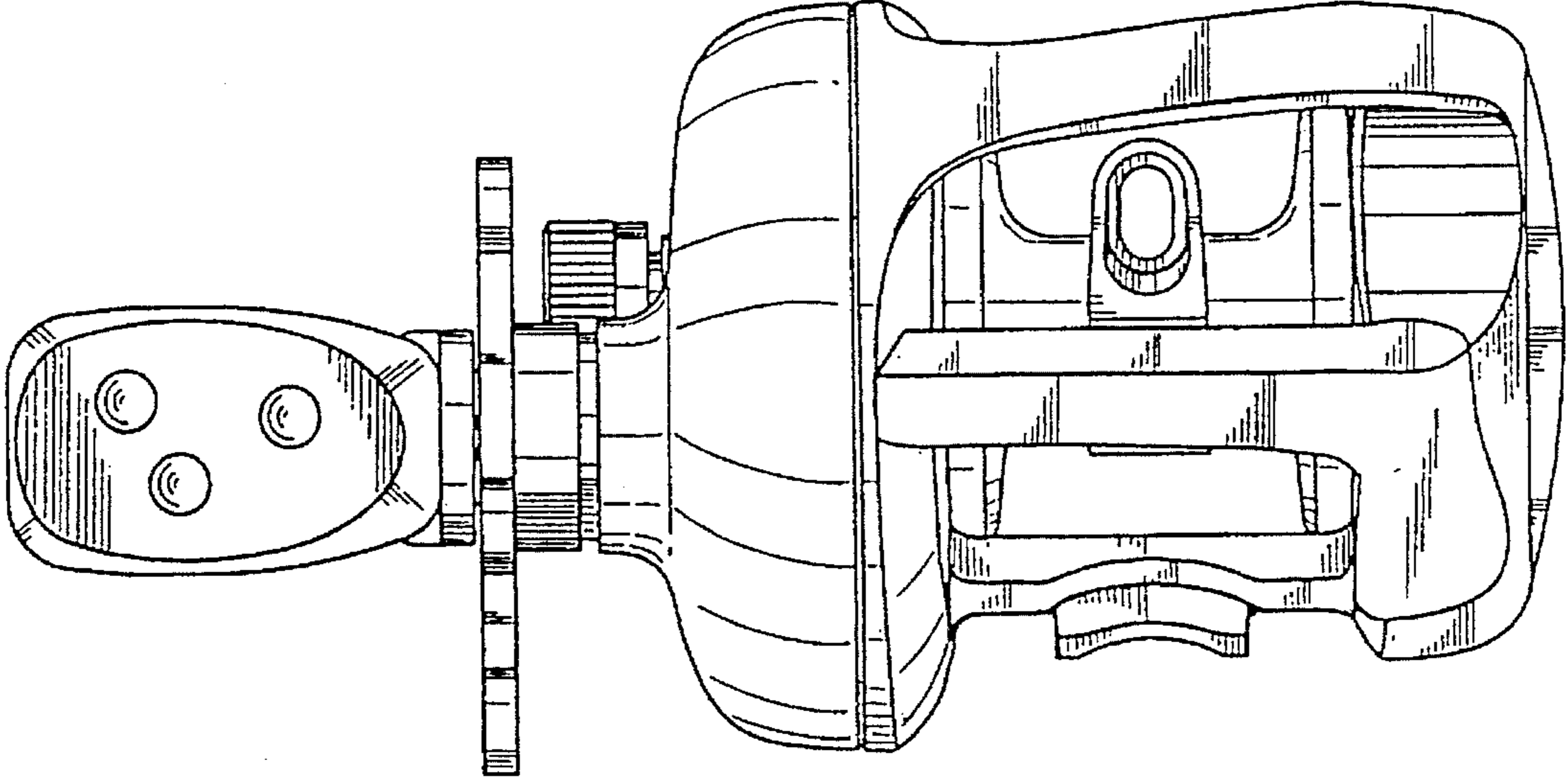


FIG. 6

