



US00D366680S

United States Patent [19]

[11] Patent Number: **Des. 366,680**

Jantz et al.

[45] Date of Patent: ****Jan. 30, 1996**

[54] **AUTOMATIC GOLF BALL TEEING PLATFORM**

3,639,923	2/1972	Stewart	273/187 R
5,096,200	3/1992	Komori et al.	273/201
5,322,291	6/1994	Smith et al.	273/201
5,411,267	5/1995	Burks et al.	273/201

[76] Inventors: **James G. Jantz**, Box 132 403 West Cortez; **James C. Hayden**, 102 Tovar P.O. Box 248; **Max A. Jantz**, Rte. 2, Box 69, all of Montezuma, Kans. 67867

Primary Examiner—Ted Shooman
Assistant Examiner—Cheri Cohen
Attorney, Agent, or Firm—Bradley P. Sylvester

[**] Term: **14 Years**

[57] **CLAIM**

[21] Appl. No.: **28,917**

The ornamental design for an automatic golf ball teeing platform, as shown and described.

[22] Filed: **Sep. 26, 1994**

[52] U.S. Cl. **D21/208**

DESCRIPTION

[58] Field of Search D21/234, 208;
273/32 A, 32.5, 195 R, 201

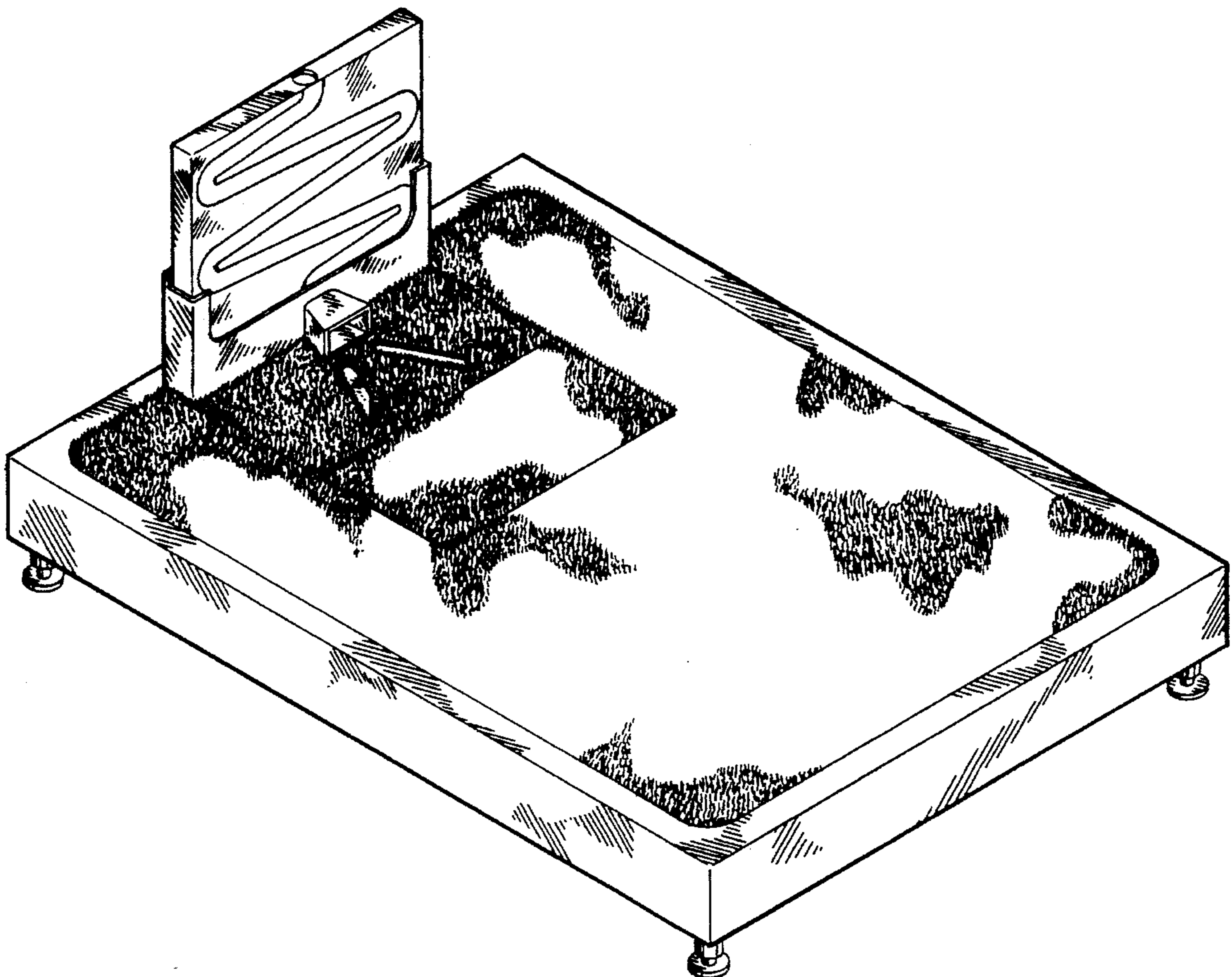
FIG. 1 is a perspective view from the top left and front sides; FIG. 2 is a perspective view from the bottom rear and right sides; and, FIG. 3 is a perspective view from the top left and rear sides.

[56] **References Cited**

U.S. PATENT DOCUMENTS

D. 351,439 10/1994 Halpern D21/208

1 Claim, 2 Drawing Sheets



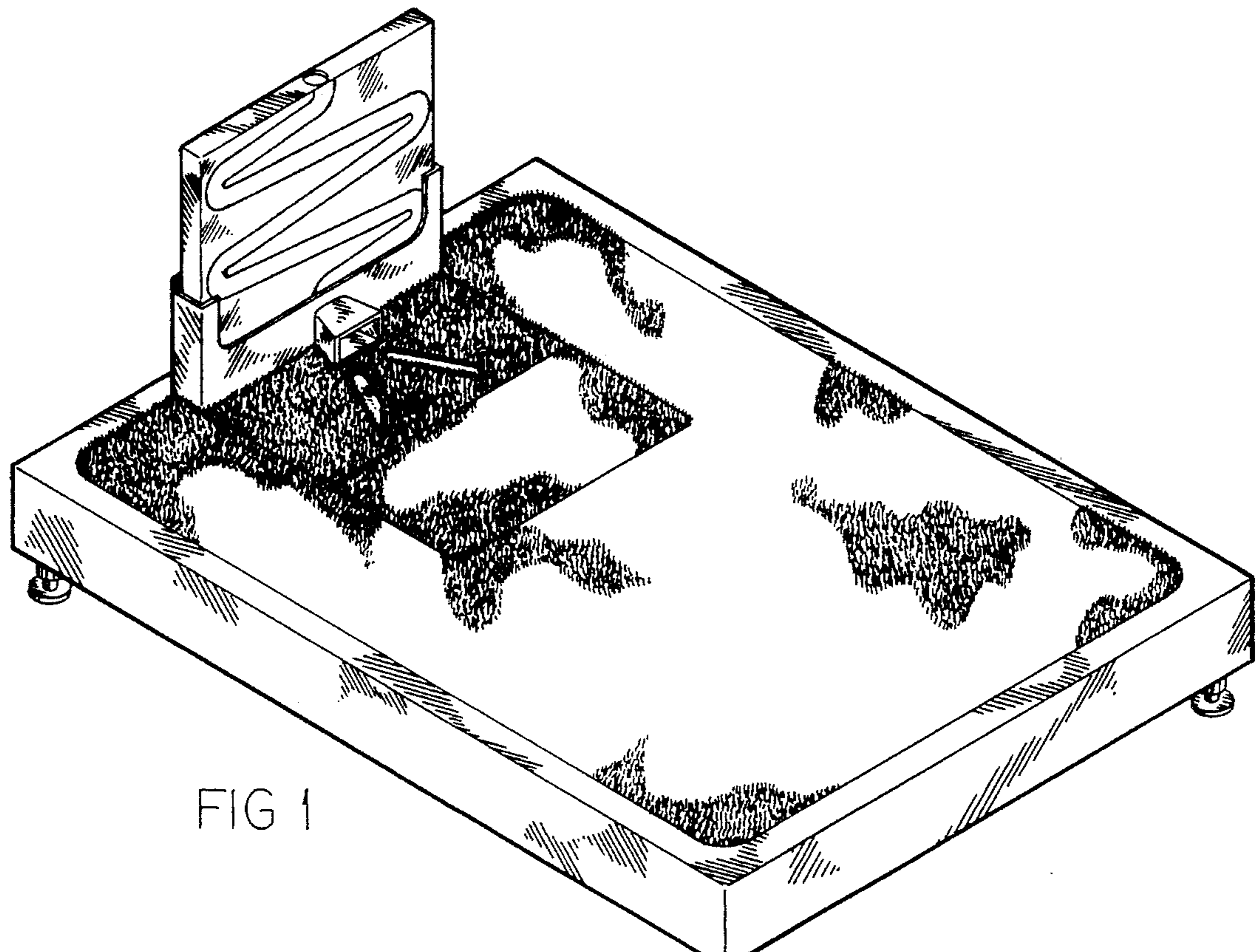


FIG 1

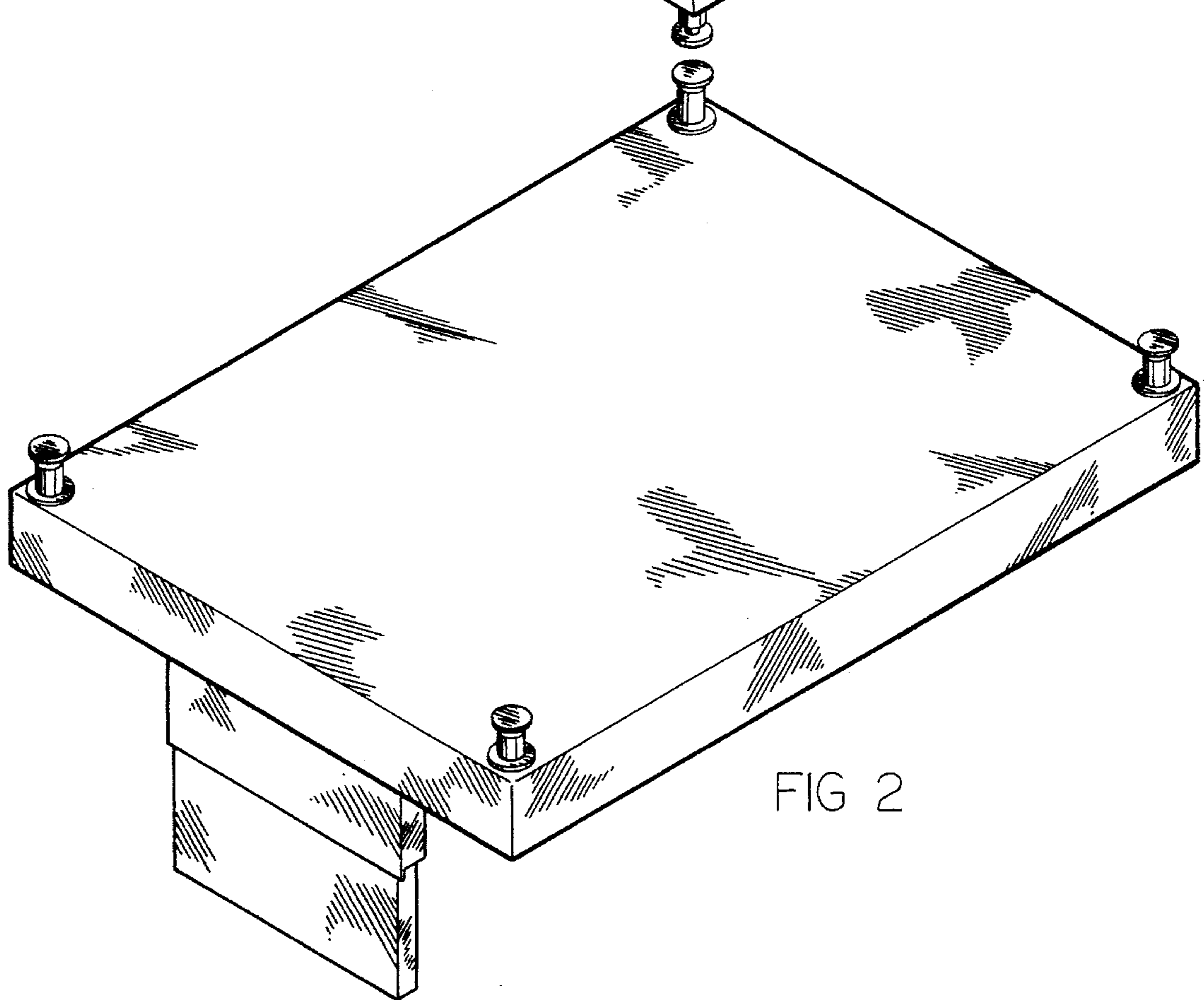


FIG 2

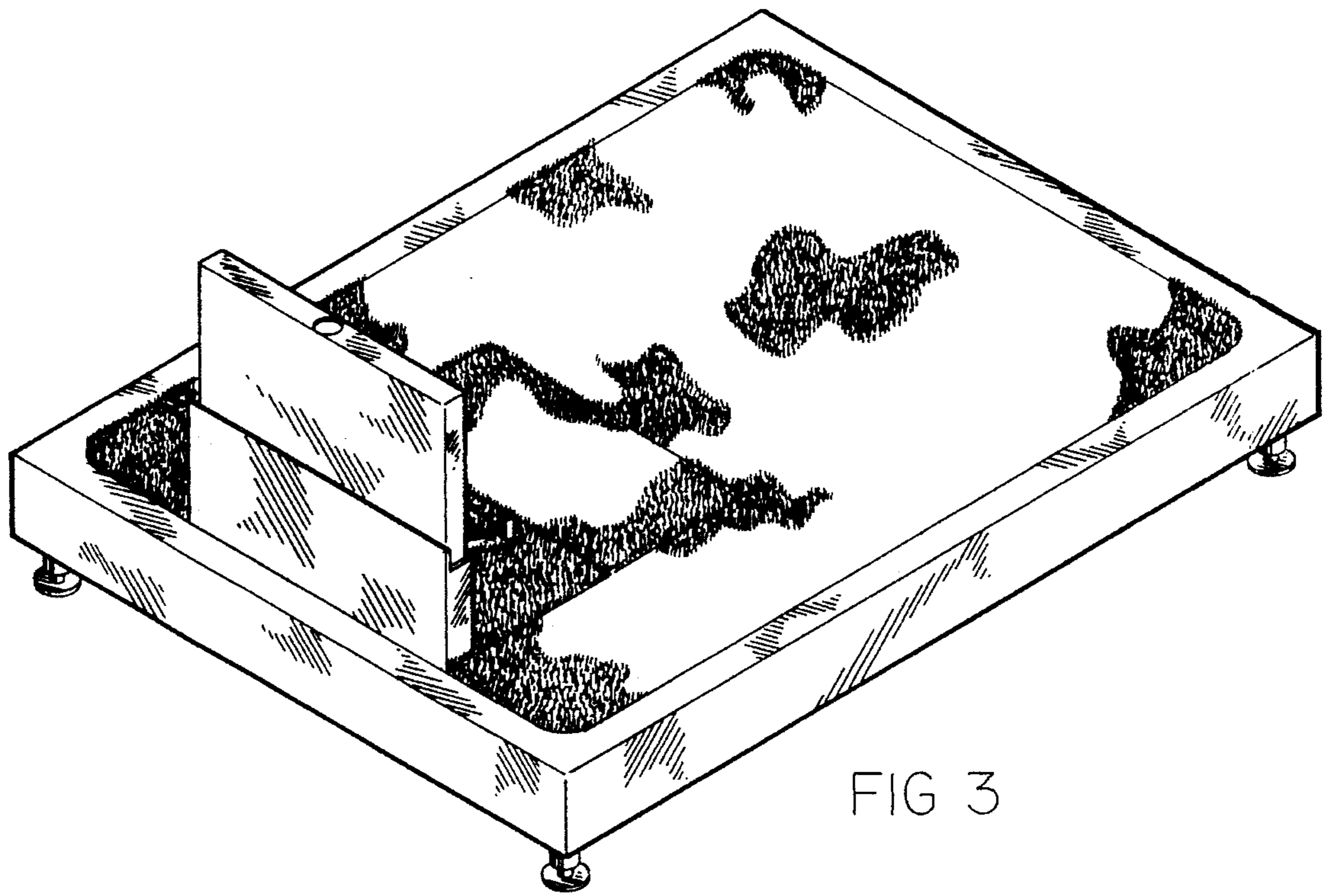


FIG 3