



US00D366679S

United States Patent [19] Clements

[11] Patent Number: **Des. 366,679**

[45] Date of Patent: ****Jan. 30, 1996**

[54] **TETHERED BALL HITTING PRACTICE AID**

[76] Inventor: **Don A. Clements**, 5205 Prince Charles Ct., Arlington, Tex. 76017

[**] Term: **14 Years**

[21] Appl. No.: **28,011**

[22] Filed: **Sep. 2, 1994**

[52] U.S. Cl. **D21/199**

[58] Field of Search D21/199; 273/26 E, 273/26 R, 26 A, 26 D, 26 EA, 29 A, 29 R, 25, 58 C, 413

[56] **References Cited**

U.S. PATENT DOCUMENTS

D. 192,432	3/1962	Haskett	D21/199
D. 321,545	11/1991	Myers	D21/199 X
D. 339,393	9/1993	Allen	D21/199
824,560	6/1906	Martin	273/413 X
2,009,040	7/1935	Beach	D21/199 X
2,606,025	8/1952	Hornig	273/413

3,626,502	12/1971	Weil	273/26 E
3,652,088	3/1972	Marsh	273/26 E
5,000,450	3/1991	Beintema	273/26 E
5,048,828	9/1991	Love	273/26 E
5,246,226	9/1993	McGuinn	273/26 E
5,282,615	2/1994	Green et al.	273/26 E

Primary Examiner—Ted Shooman
Assistant Examiner—Cheri Cohen

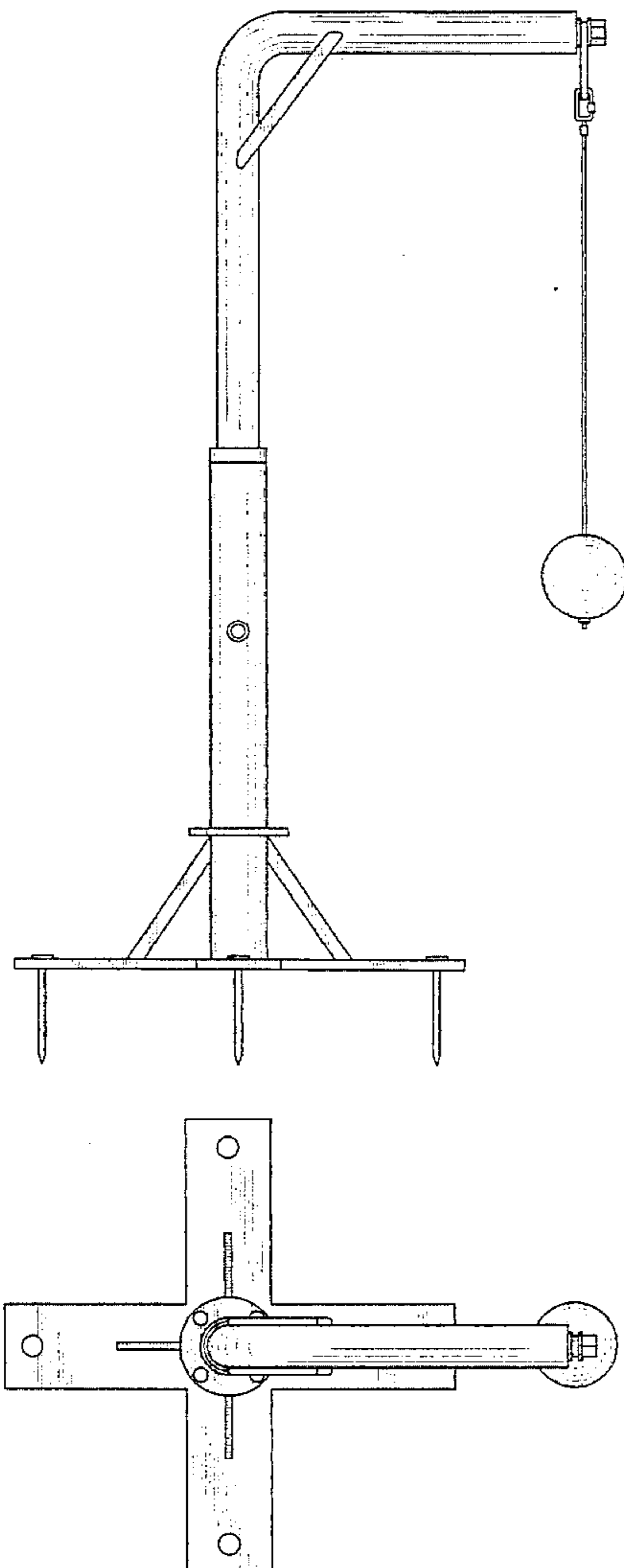
[57] **CLAIM**

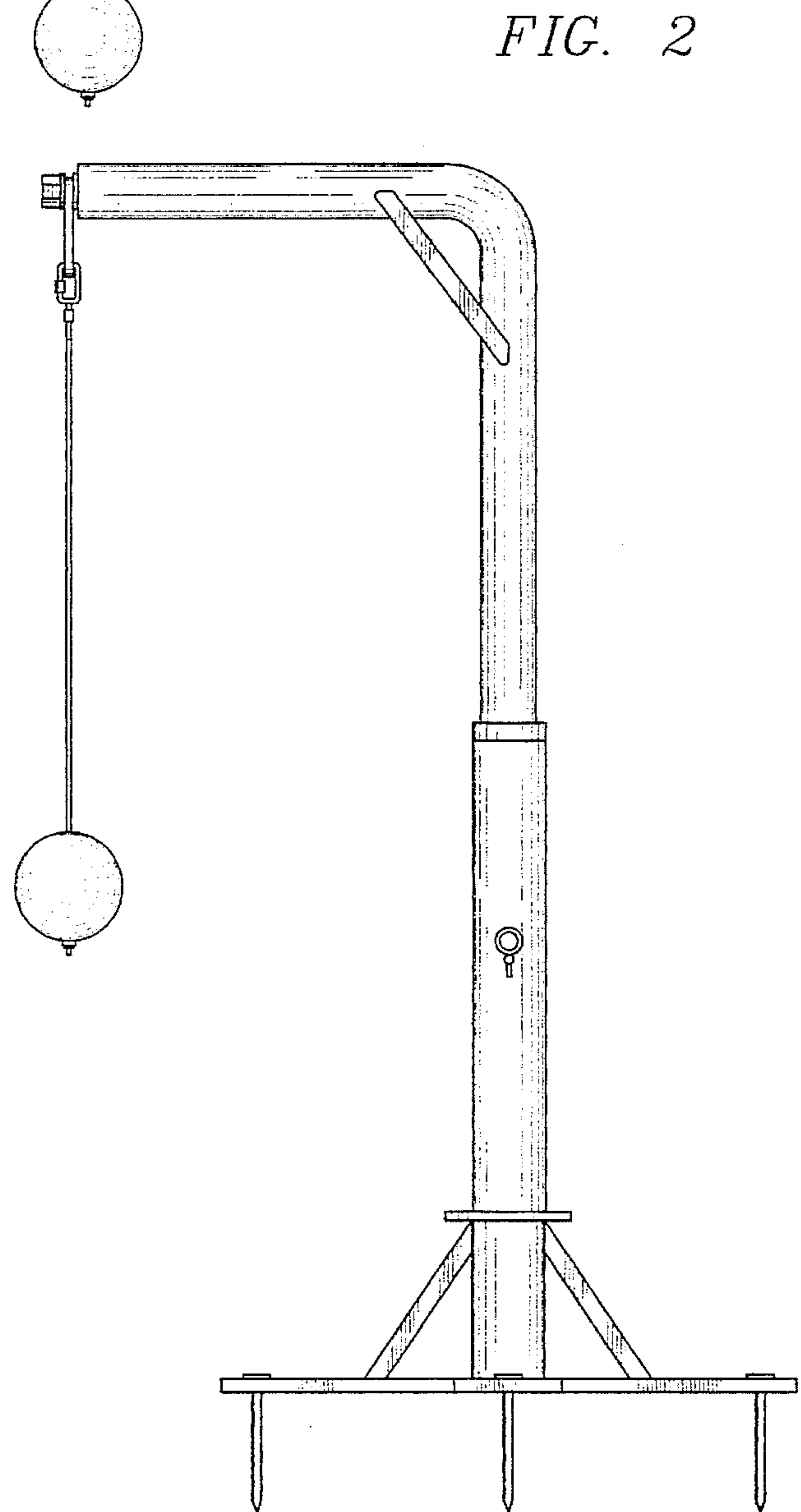
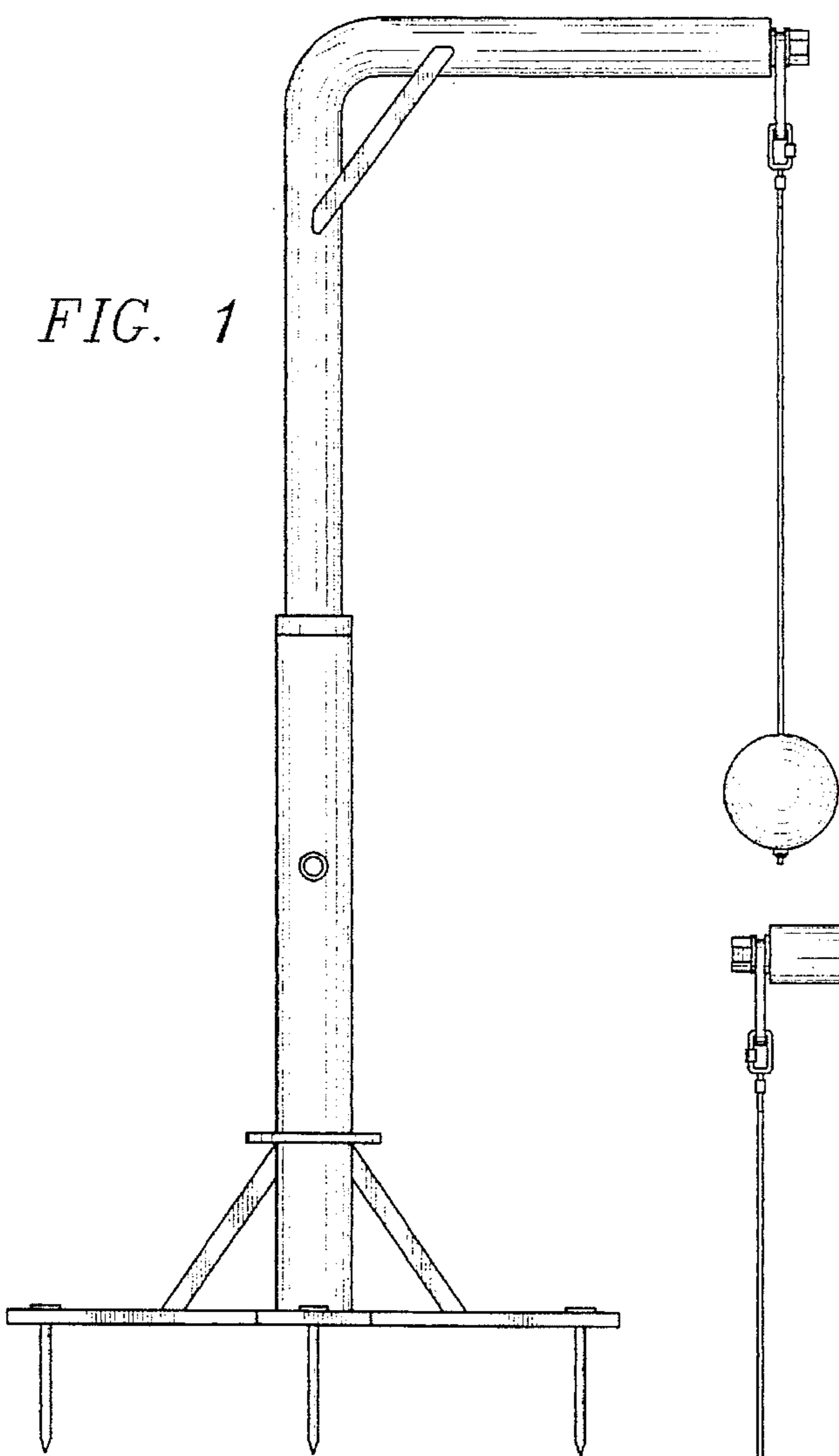
The ornamental design for the tethered ball hitting practice aid, as shown and described.

DESCRIPTION

FIG. 1 is a front elevational view of the tethered ball hitting practice aid showing my new design; FIG. 2 is a rear elevational view thereof; FIG. 3 is a left side elevational view thereof; FIG. 4 is a right side elevational view thereof; FIG. 5 is a top plan view thereof; and, FIG. 6 is a bottom plan view thereof.

1 Claim, 3 Drawing Sheets





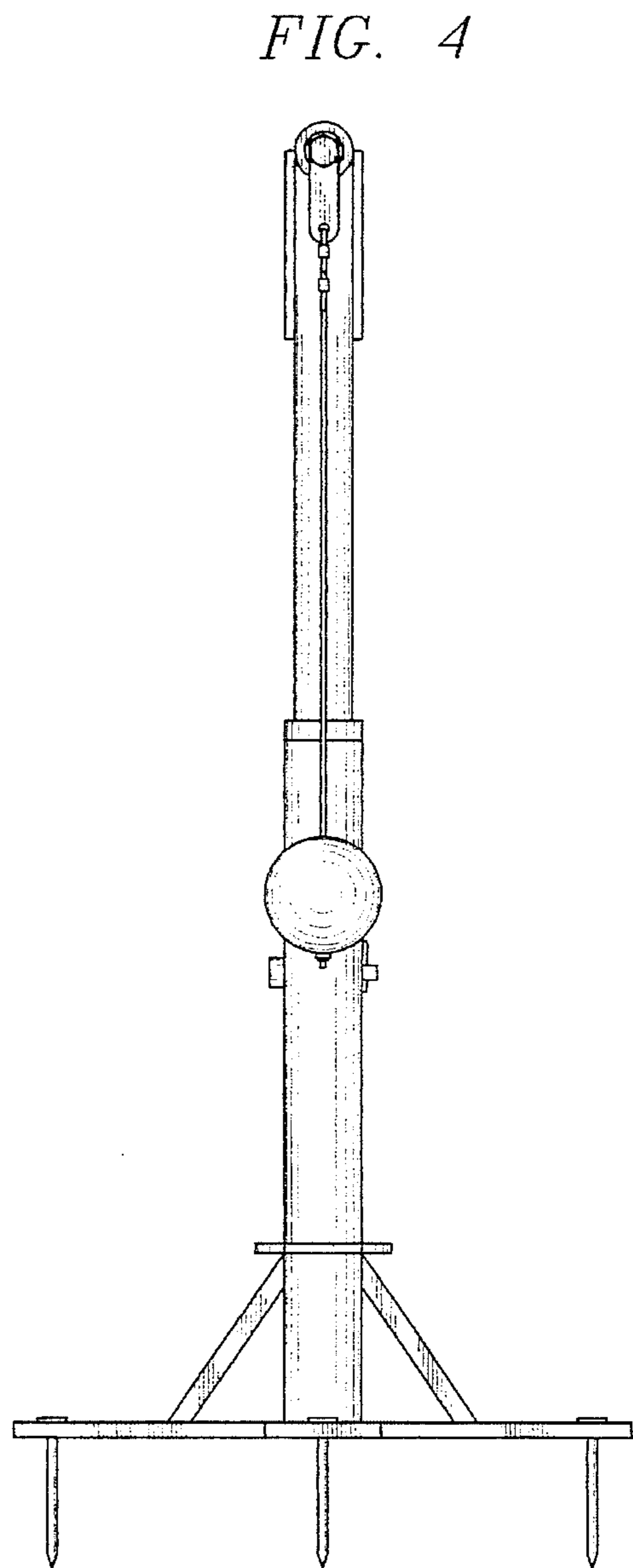
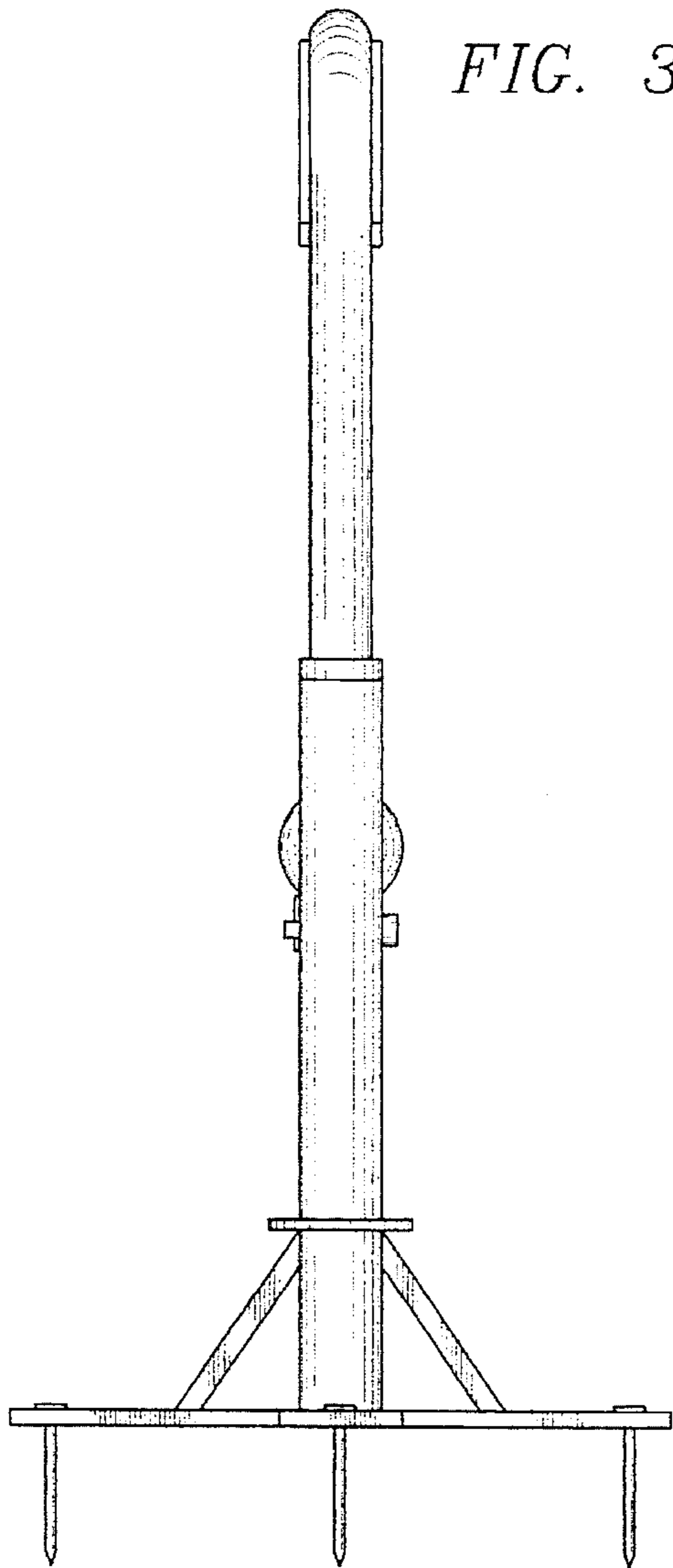


FIG. 5

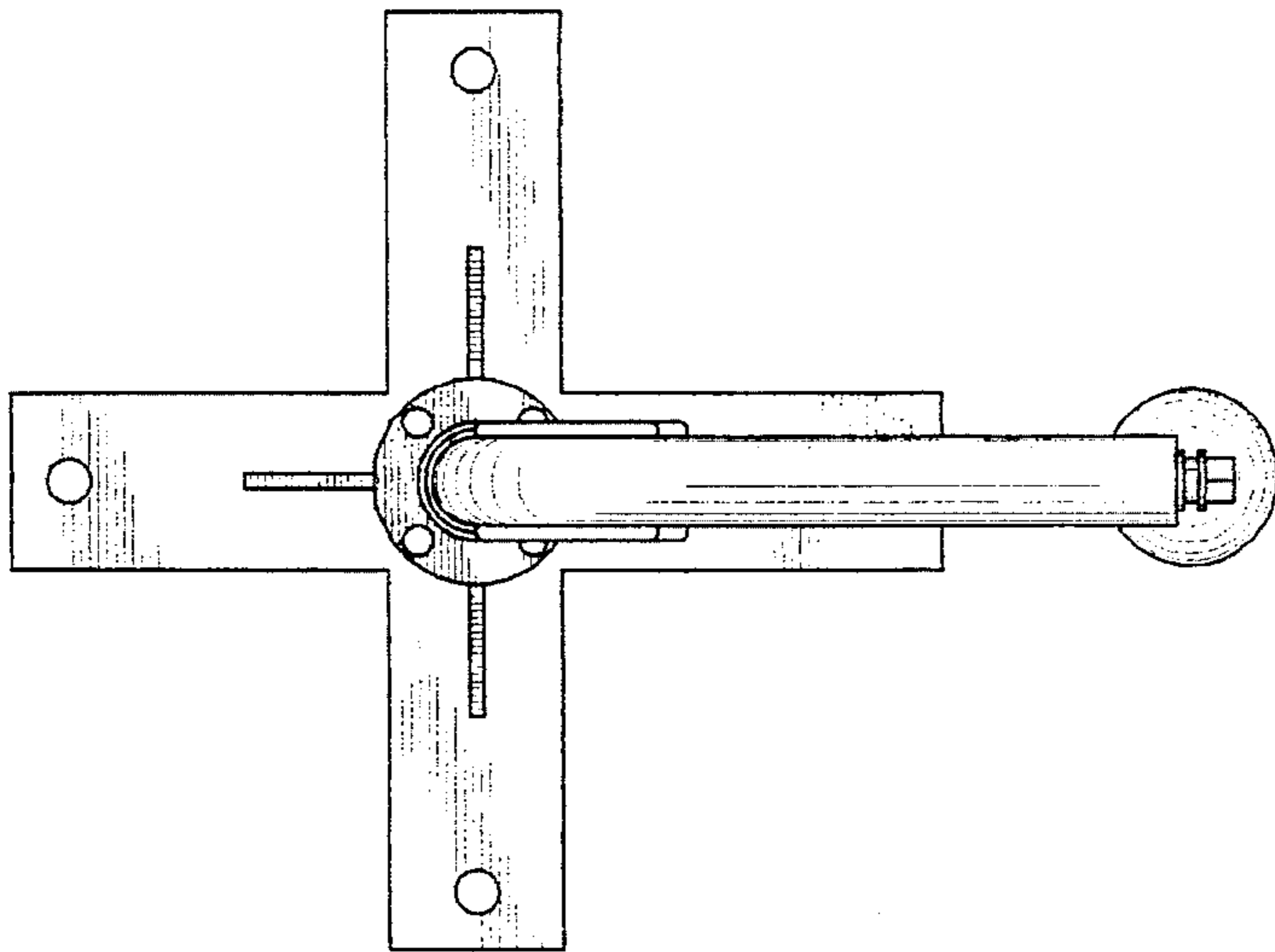


FIG. 6

