



US00D366678S

**United States Patent** [19]  
**Cimock**

[11] **Patent Number: Des. 366,678**  
[45] **Date of Patent: \*\*Jan. 30, 1996**

[54] **TOY FLASHLIGHT**  
[75] Inventor: **Benjamin J. Cimock**, Altamonte Springs, Fla.  
[73] Assignee: **I & K Trading**, Vienna, Va.  
[\*\*] Term: **14 Years**  
[21] Appl. No.: **20,980**  
[22] Filed: **Apr. 6, 1994**  
[52] U.S. Cl. .... **D21/120; D21/109**  
[58] Field of Search ..... D21/59, 109, 120, D21/122, 173, 162; D26/37-50; 362/186, 208; 446/479, 481, 482, 485

4,782,433 11/1988 Rombough ..... 362/186  
4,858,083 8/1989 Wakimoyo .  
5,037,346 8/1991 Cimock .  
5,165,781 11/1992 Orak ..... 362/186  
5,321,591 6/1994 Cimock et al. .... 446/485

*Primary Examiner*—Ted Shooman  
*Assistant Examiner*—R. Barkai  
*Attorney, Agent, or Firm*—Strocck & Stroock & Lavan

[57] **CLAIM**

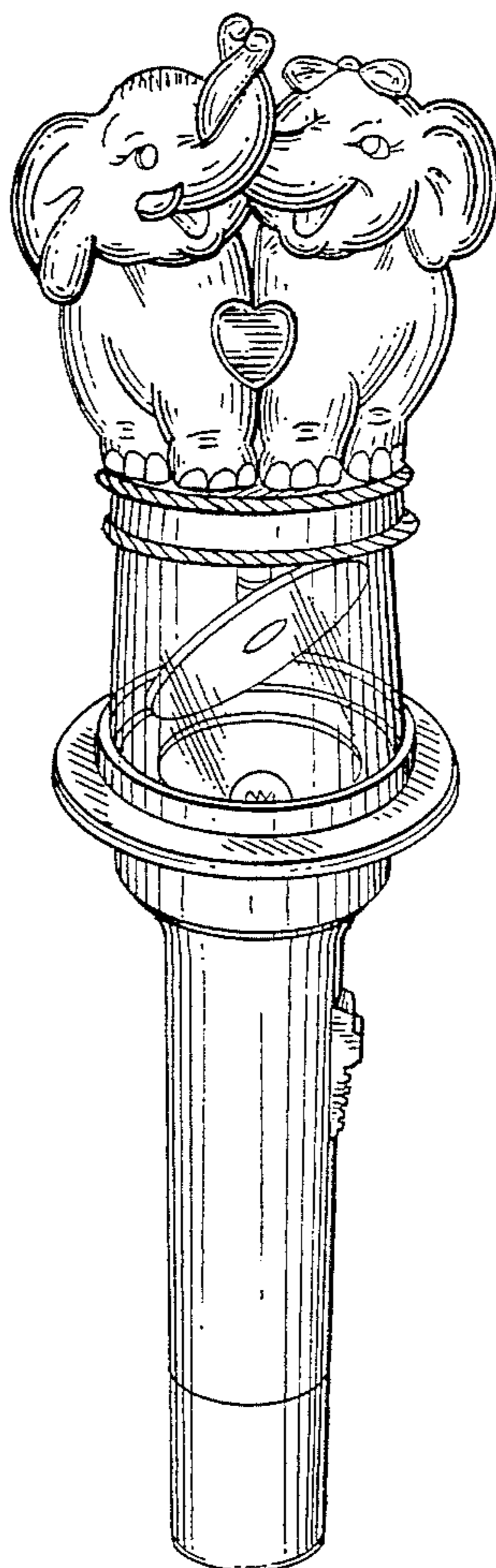
The ornamental design for a toy flashlight, as shown.

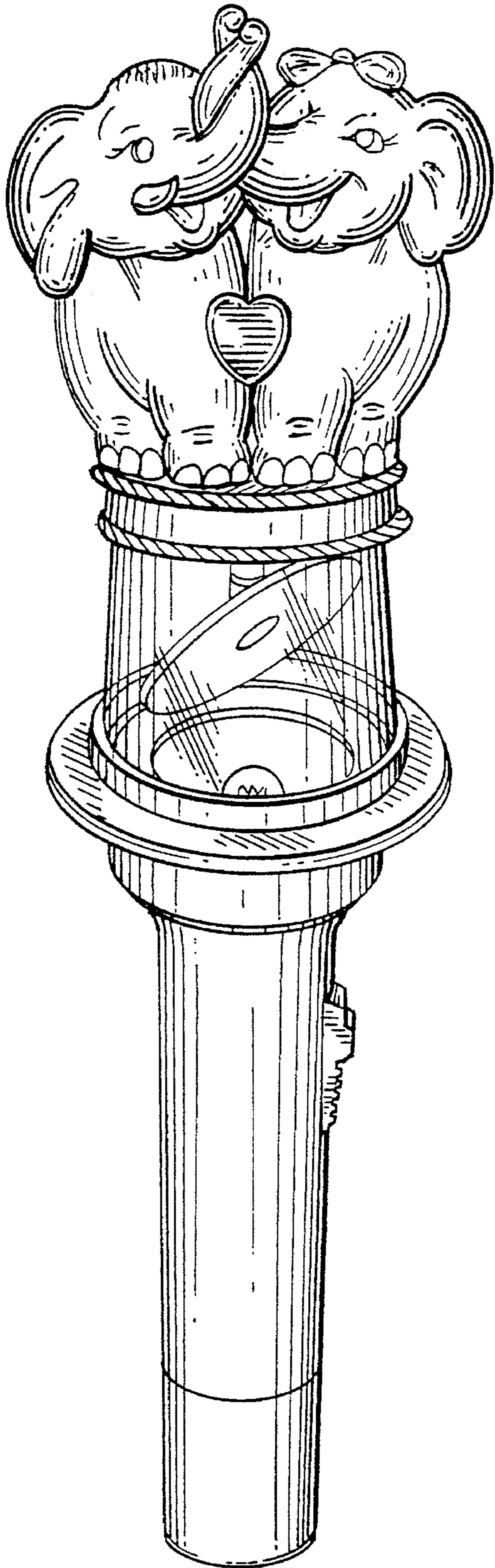
**DESCRIPTION**

FIG. 1 is a perspective view of a design for a toy flashlight in accordance with the instant invention;  
FIG. 2 is a top plan view of the toy flashlight design depicted in FIG. 1;  
FIG. 3 is a side elevational view of a toy flashlight design depicted in FIG. 1;  
FIG. 4 is a right side elevational view of the toy flashlight design depicted in FIG. 1;  
FIG. 5 is a rear elevational view of the toy flashlight design depicted in FIG. 1; and,  
FIG. 6 is a bottom plan view of the toy flashlight design depicted in FIG. 1.

[56] **References Cited**  
**U.S. PATENT DOCUMENTS**  
D. 160,795 11/1950 Levinson ..... D26/47  
D. 228,016 7/1973 Feuer ..... D26/47  
D. 262,466 12/1981 Liberman et al. .... D21/59  
D. 264,980 6/1982 Nuttall ..... D21/162  
D. 317,056 5/1991 Cimock .  
D. 329,263 9/1992 Cimock .  
2,959,892 11/1960 Johnson .  
3,791,068 2/1974 Pietrowiak .  
3,877,171 4/1975 Sloop et al. .

**1 Claim, 3 Drawing Sheets**





*FIG. 1*



*FIG. 2*

FIG. 3

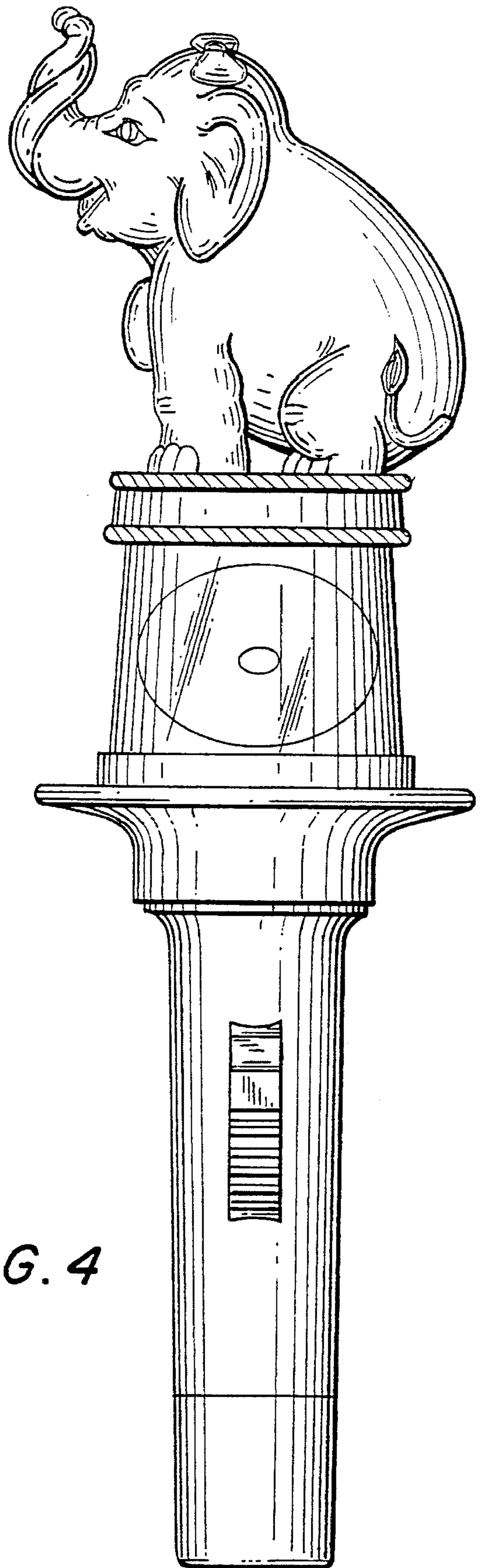
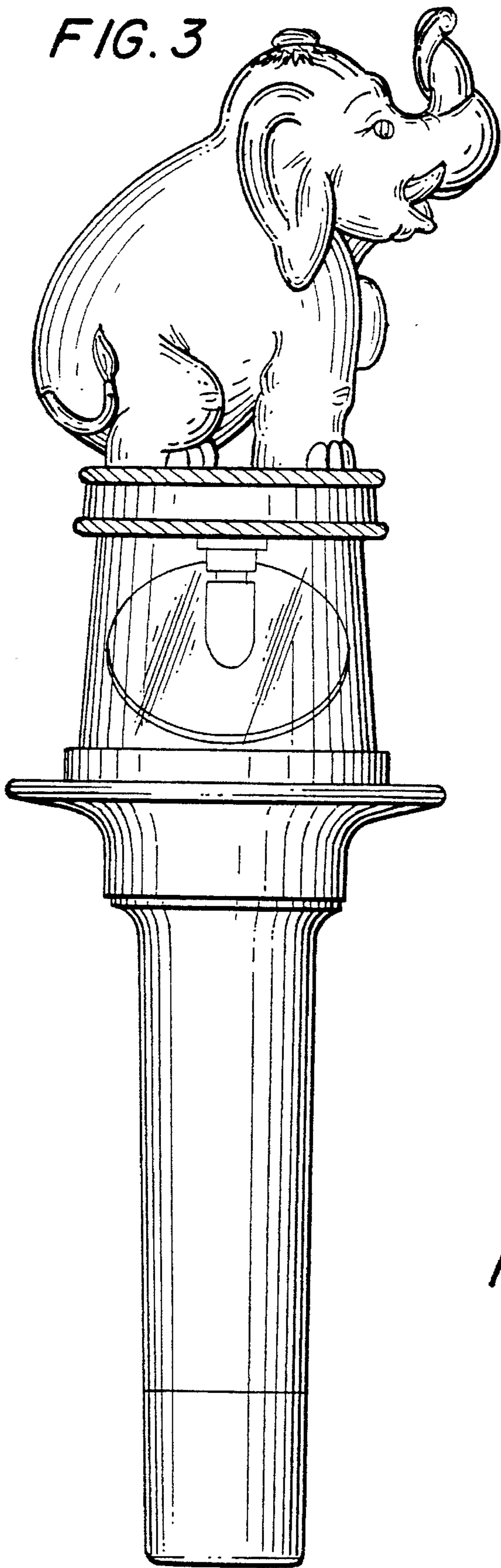


FIG. 4

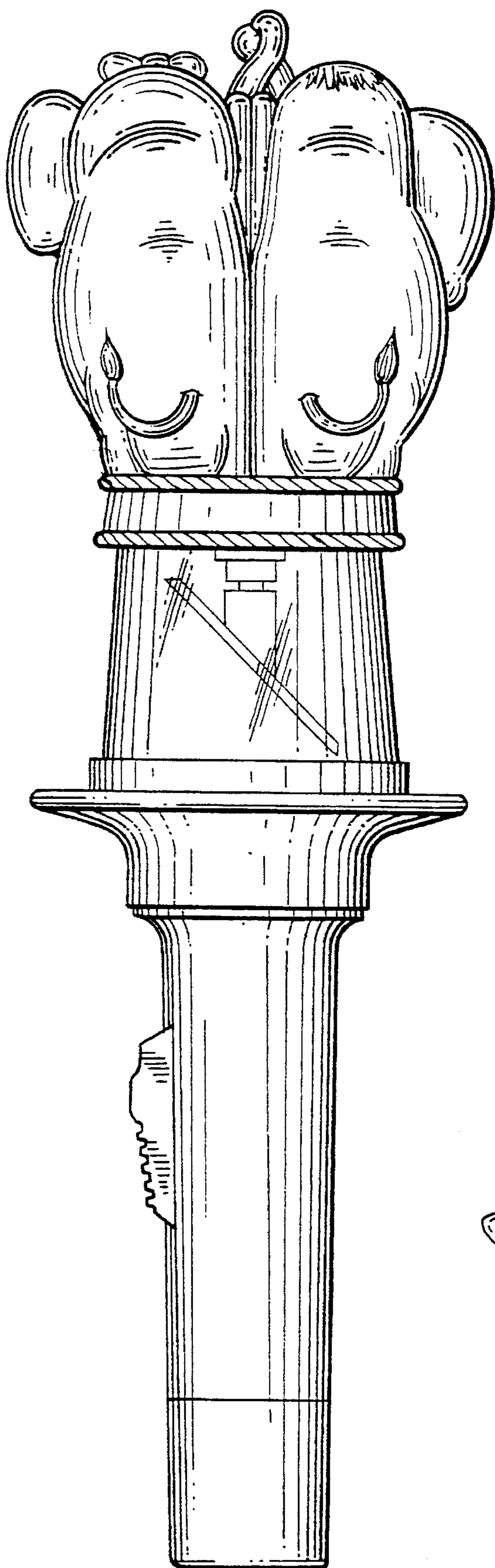


FIG. 5

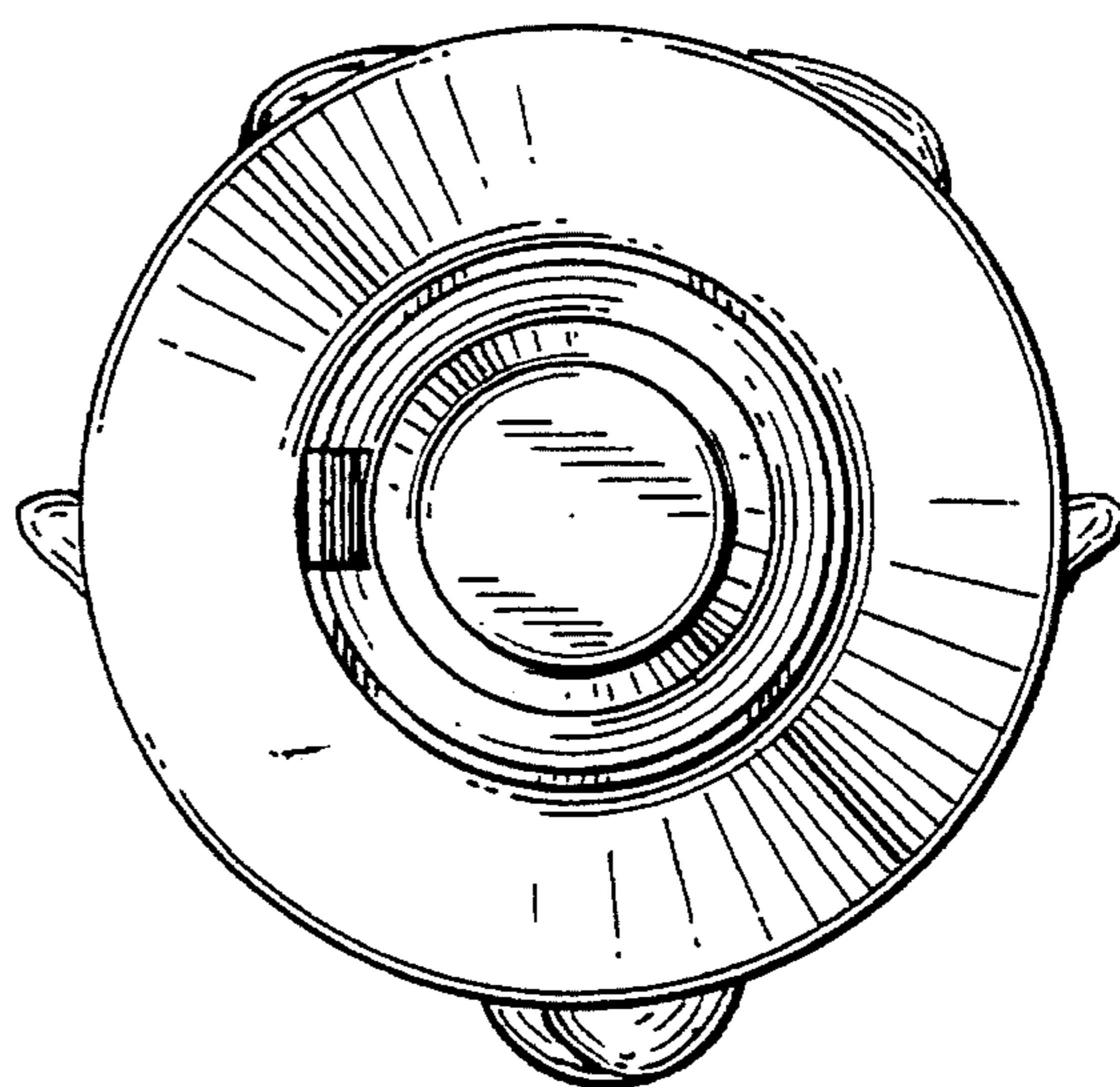


FIG. 6